



US00D685832S

(12) **United States Design Patent**
Wunnicke et al.

(10) **Patent No.:** **US D685,832 S**

(45) **Date of Patent:** **** Jul. 9, 2013**

(54) **SPOTTING SCOPE**

(71) Applicants: **Michael Wunnicke**, Sherwood, OR
(US); **Todd Juennemann**, Hillsboro, OR
(US); **David D. Lewin**, Portland, OR
(US)

(72) Inventors: **Michael Wunnicke**, Sherwood, OR
(US); **Todd Juennemann**, Hillsboro, OR
(US); **David D. Lewin**, Portland, OR
(US)

(73) Assignee: **Leupold & Stevens, Inc.**, Beaverton,
OR (US)

(**) Term: **14 Years**

(21) Appl. No.: **29/439,324**

(22) Filed: **Dec. 10, 2012**

Related U.S. Application Data

(62) Division of application No. 29/405,365, filed on Nov.
1, 2011, now Pat. No. Des. 675,239.

(51) **LOC (9) Cl.** **16-06**

(52) **U.S. Cl.**
USPC **D16/132**

(58) **Field of Classification Search**
USPC D16/132; 359/407-409, 411-420,
359/816, 831, 399, 429; D22/108, 109; 250/214
VT; D21/483
See application file for complete search history.

(56) **References Cited**

U.S. PATENT DOCUMENTS

D123,486 S	11/1940	Miles	
D159,719 S *	8/1950	Davidson	D16/132
D165,231 S *	11/1951	Kiefer, III et al.	D16/132
D215,355 S *	9/1969	Weatherby	D16/132
4,408,842 A *	10/1983	Gibson	359/422
D272,916 S *	3/1984	Tomatsuri et al.	D16/132
D285,802 S *	9/1986	Ogasawara	D16/132
D288,210 S	2/1987	Mise	

4,669,833 A *	6/1987	Mise	359/420
D372,022 S *	7/1996	Sawada et al.	D14/366
D374,021 S *	9/1996	Meinzer	D16/132
D374,022 S *	9/1996	Meinzer	D16/132
D395,440 S *	6/1998	Ogasawara et al.	D16/132
5,946,132 A *	8/1999	Phillips	359/351
D417,680 S	12/1999	Diebel	
D454,898 S *	3/2002	Ogasawara et al.	D16/132
D479,255 S *	9/2003	Hamamura	D16/132
D482,709 S *	11/2003	Meinzer	D16/132
D508,252 S *	8/2005	Koinuma	D16/132
D512,449 S	12/2005	Regan et al.	

(Continued)

Primary Examiner — Paula Greene

(74) *Attorney, Agent, or Firm* — Stoel Rives LLP

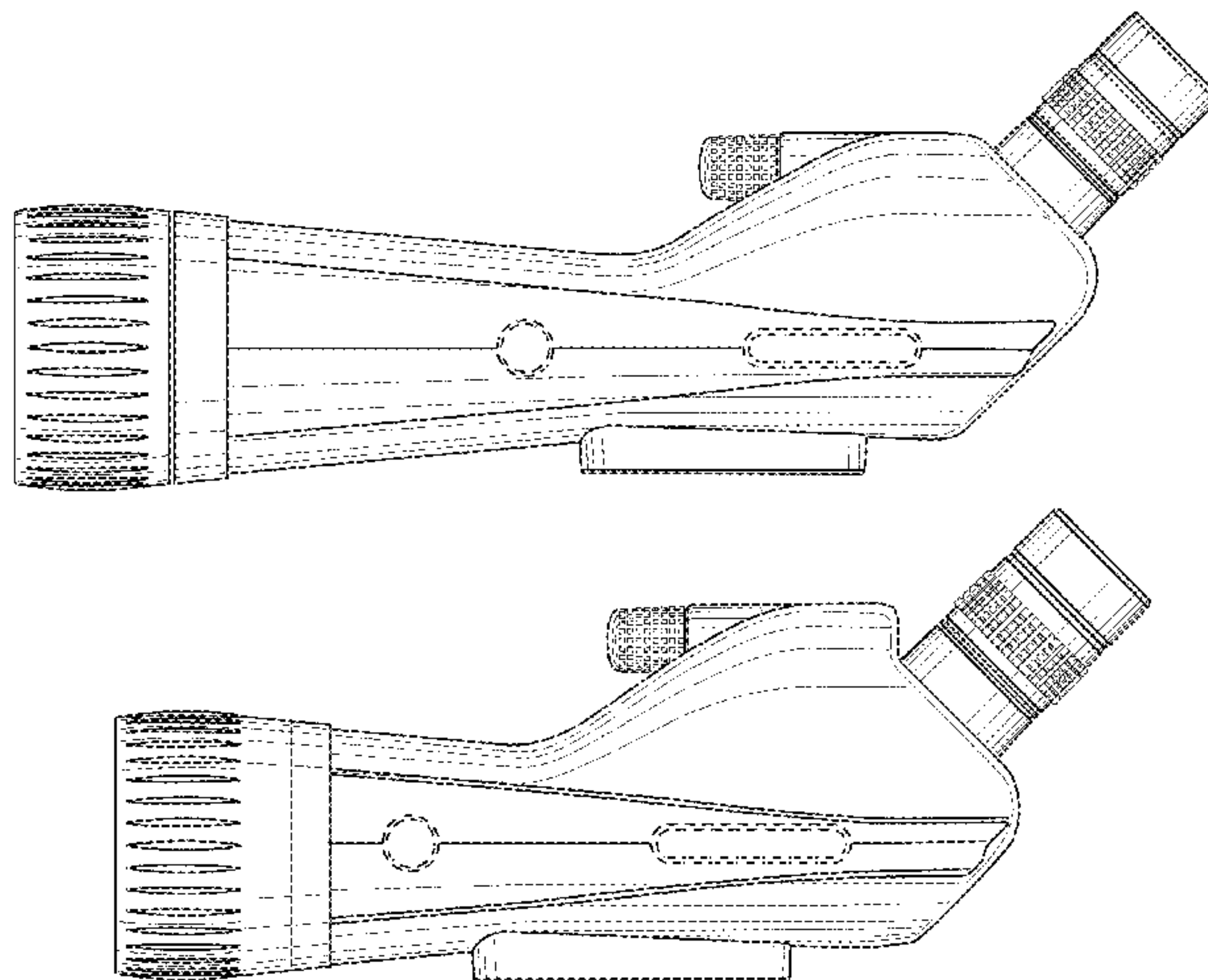
(57) **CLAIM**

We claim the ornamental design for a spotting scope, as shown and described.

DESCRIPTION

FIG. 1 is an isometric view of a spotting scope showing our new design according to a first embodiment;
 FIG. 2 is an opposite isometric view thereof;
 FIG. 3 is a top plan view thereof;
 FIG. 4 is a left side elevation view thereof; a right side elevation view is a mirror image;
 FIG. 5 is a bottom plan view thereof;
 FIG. 6 is an end elevation view thereof; and
 FIG. 7 is an opposite end elevation view thereof.
 FIG. 8 is an isometric view of a spotting scope showing our new design according to a second embodiment;
 FIG. 9 is an opposite isometric view thereof;
 FIG. 10 is a top plan view thereof;
 FIG. 11 is a left side elevation view thereof; a right side elevation view is a mirror image;
 FIG. 12 is a bottom plan view thereof;
 FIG. 13 is an end elevation view thereof; and,
 FIG. 14 is an opposite end elevation view thereof.
 In FIGS. 1-14, the broken lines are illustrative of environmental structure that forms no part of the claimed design.

1 Claim, 6 Drawing Sheets



US D685,832 S

Page 2

U.S. PATENT DOCUMENTS

D513,274 S	12/2005	Chen		D594,493 S	6/2009	Chujo et al.	
D528,574 S *	9/2006	Koinuma	D16/132	D594,494 S	6/2009	Chujo et al.	
D534,193 S	12/2006	Ono		D595,754 S *	7/2009	Hamilton	D16/132
D550,263 S	9/2007	Zhou		D597,575 S *	8/2009	Steiner et al.	D16/133
D572,740 S	7/2008	Kitera		D675,239 S *	1/2013	Wunnicke et al.	D16/132
D587,290 S *	2/2009	Meinzer	D16/132				

* cited by examiner

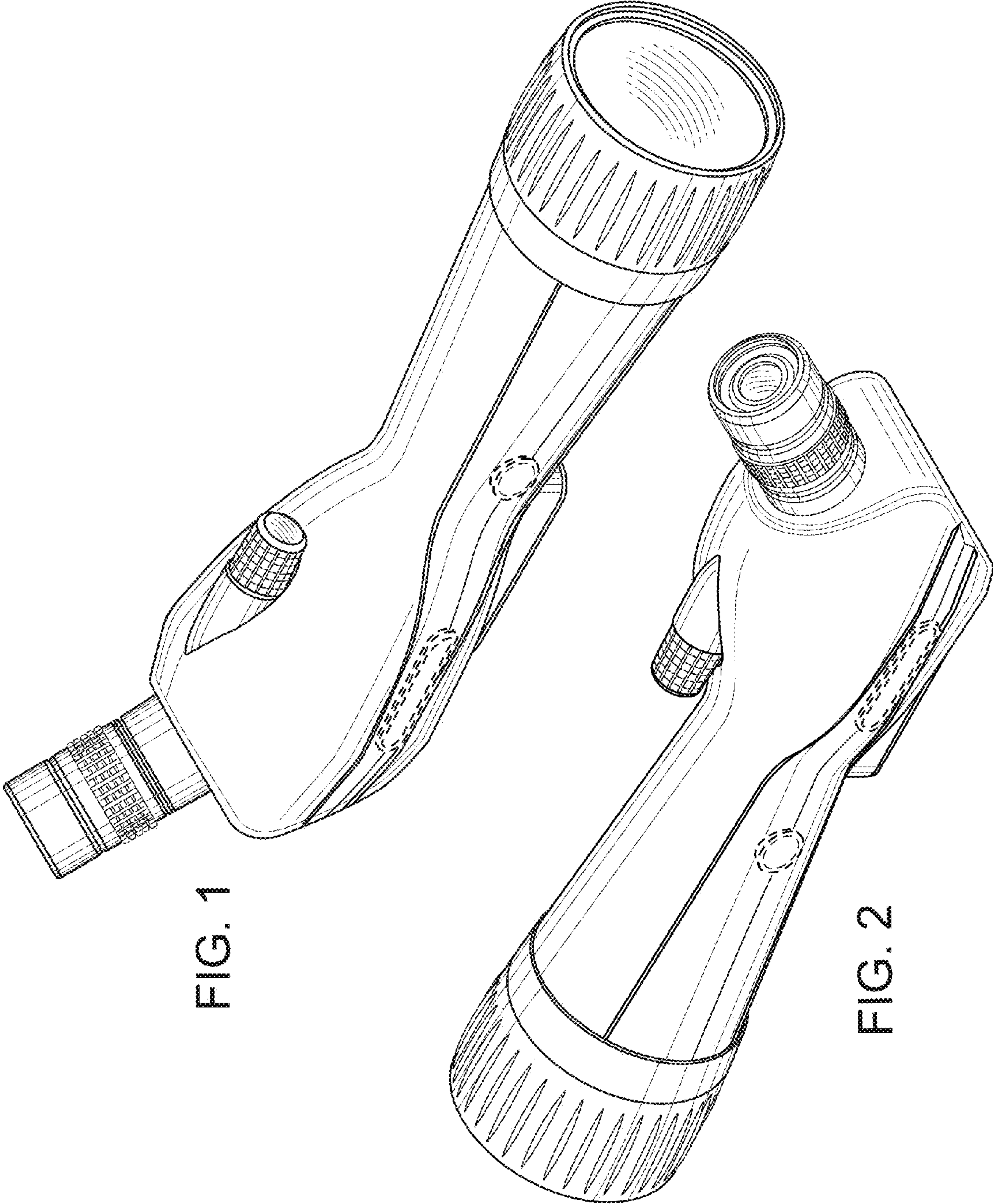


FIG. 1

FIG. 2

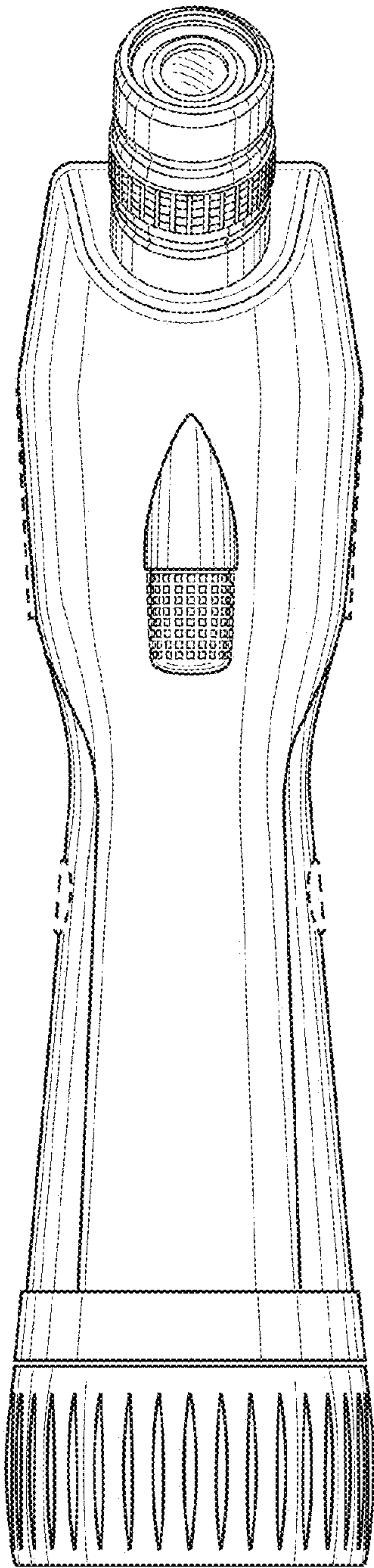


FIG. 3

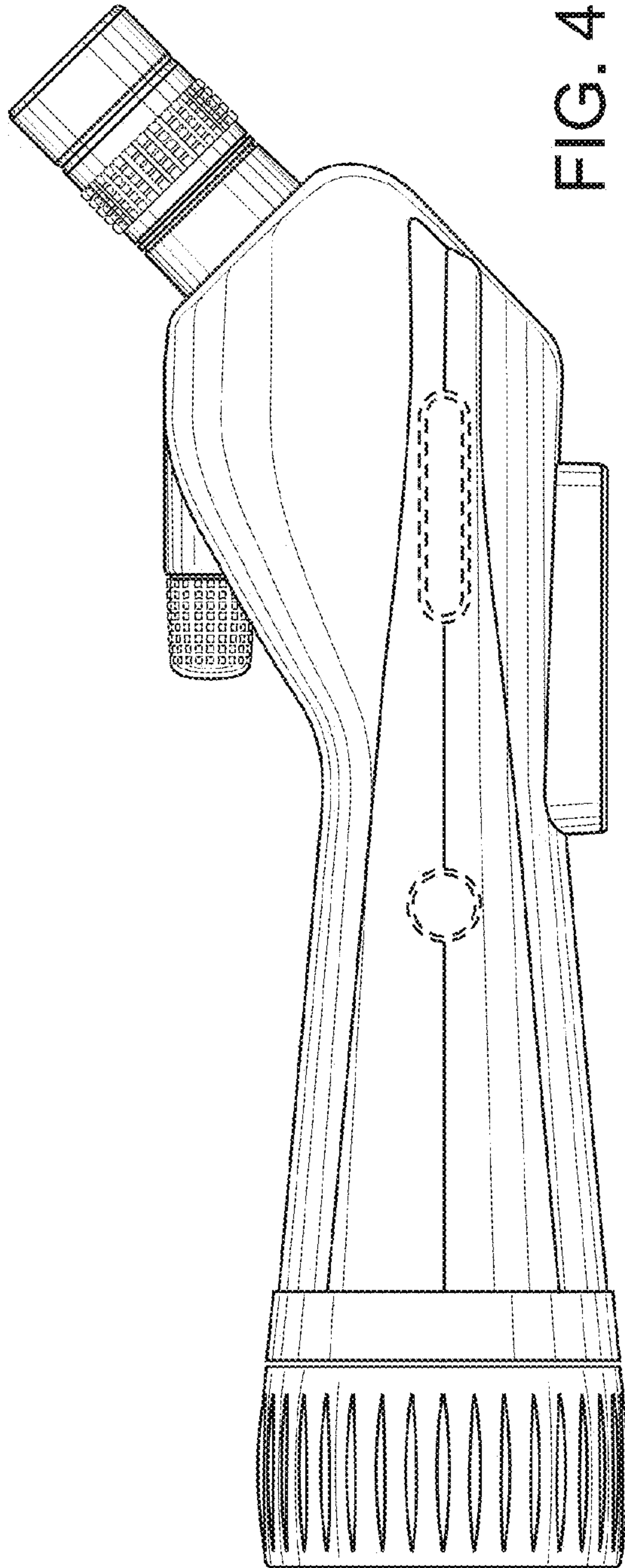


FIG. 4

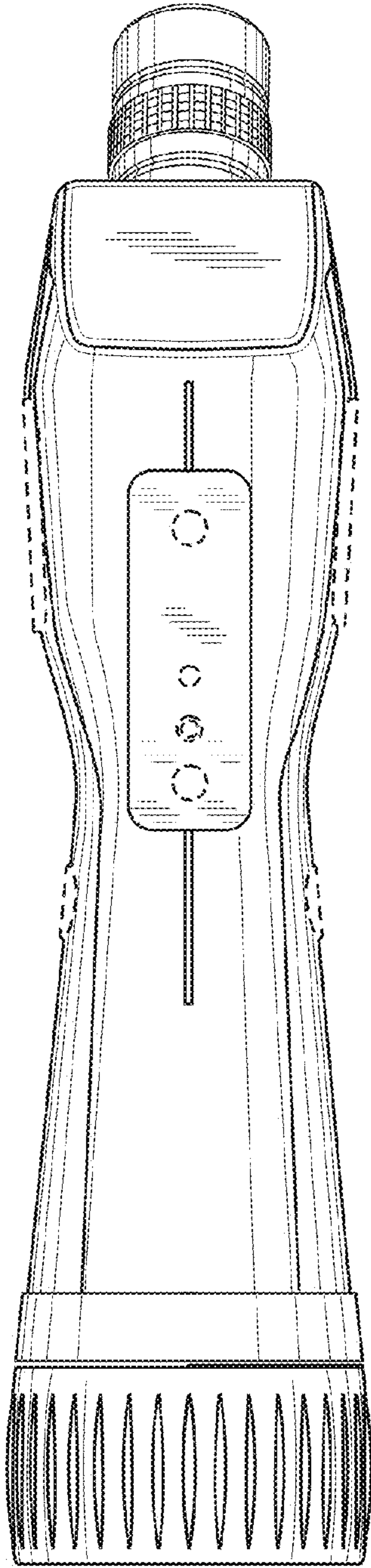


FIG. 5

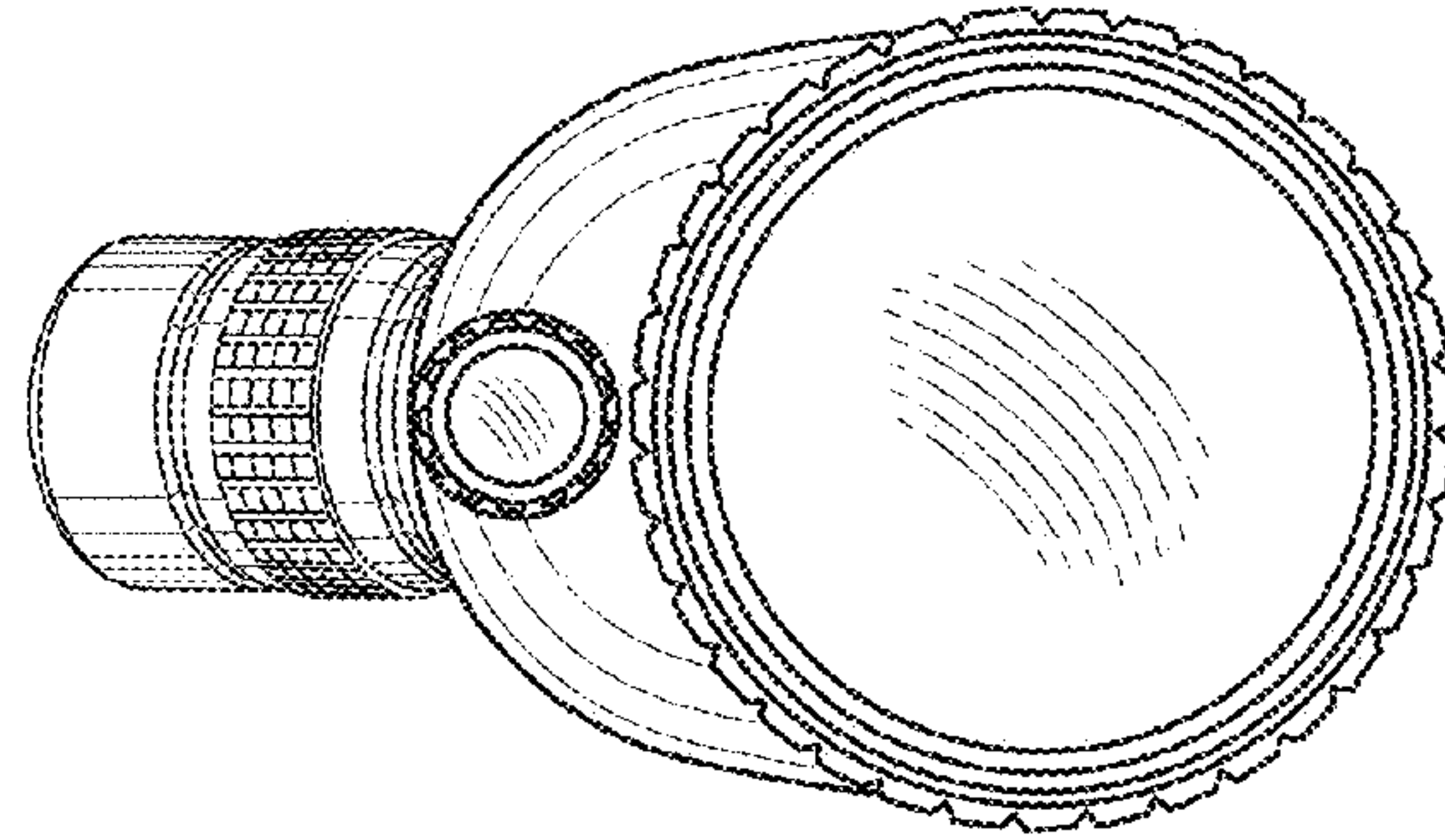


FIG. 7

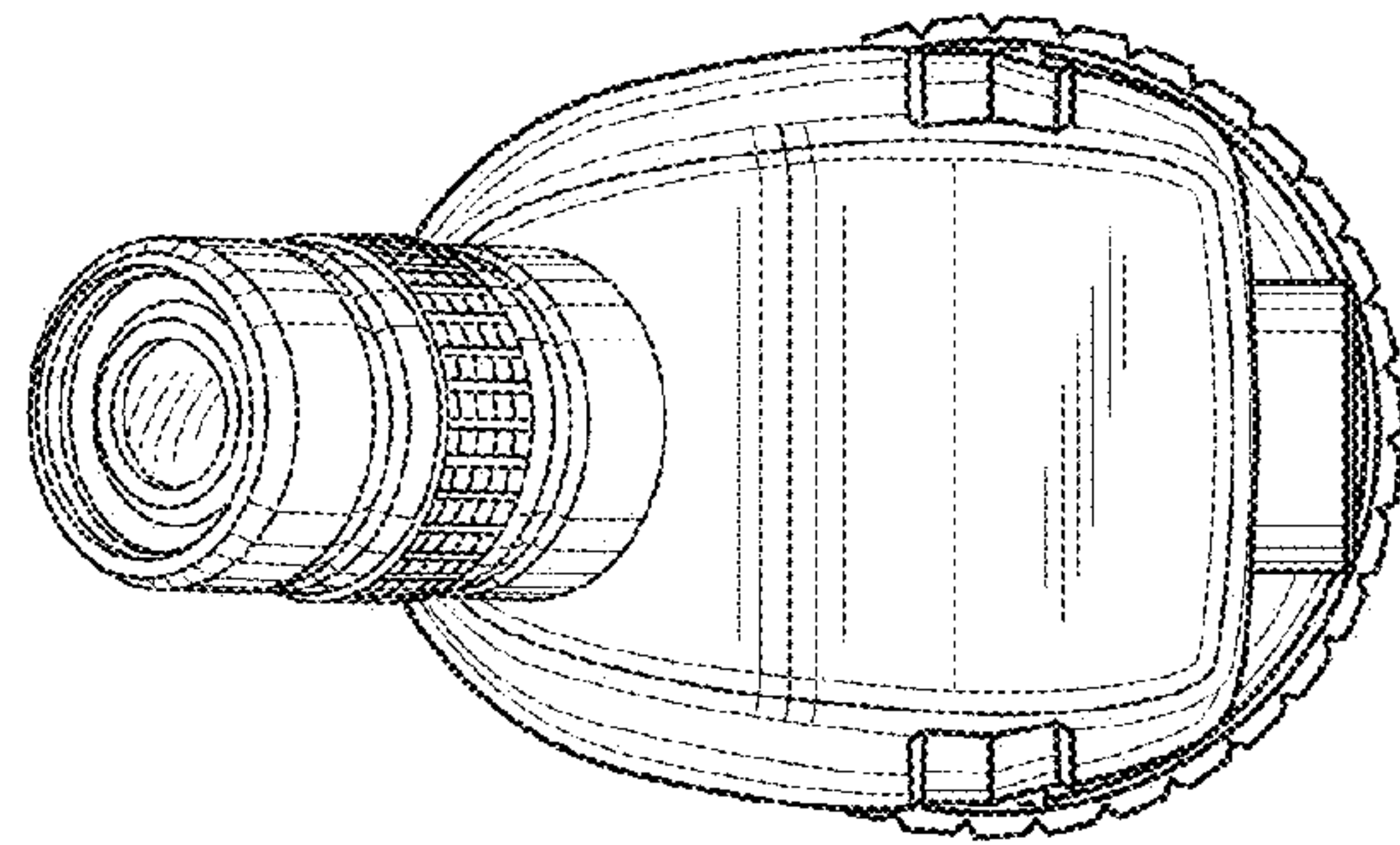


FIG. 6

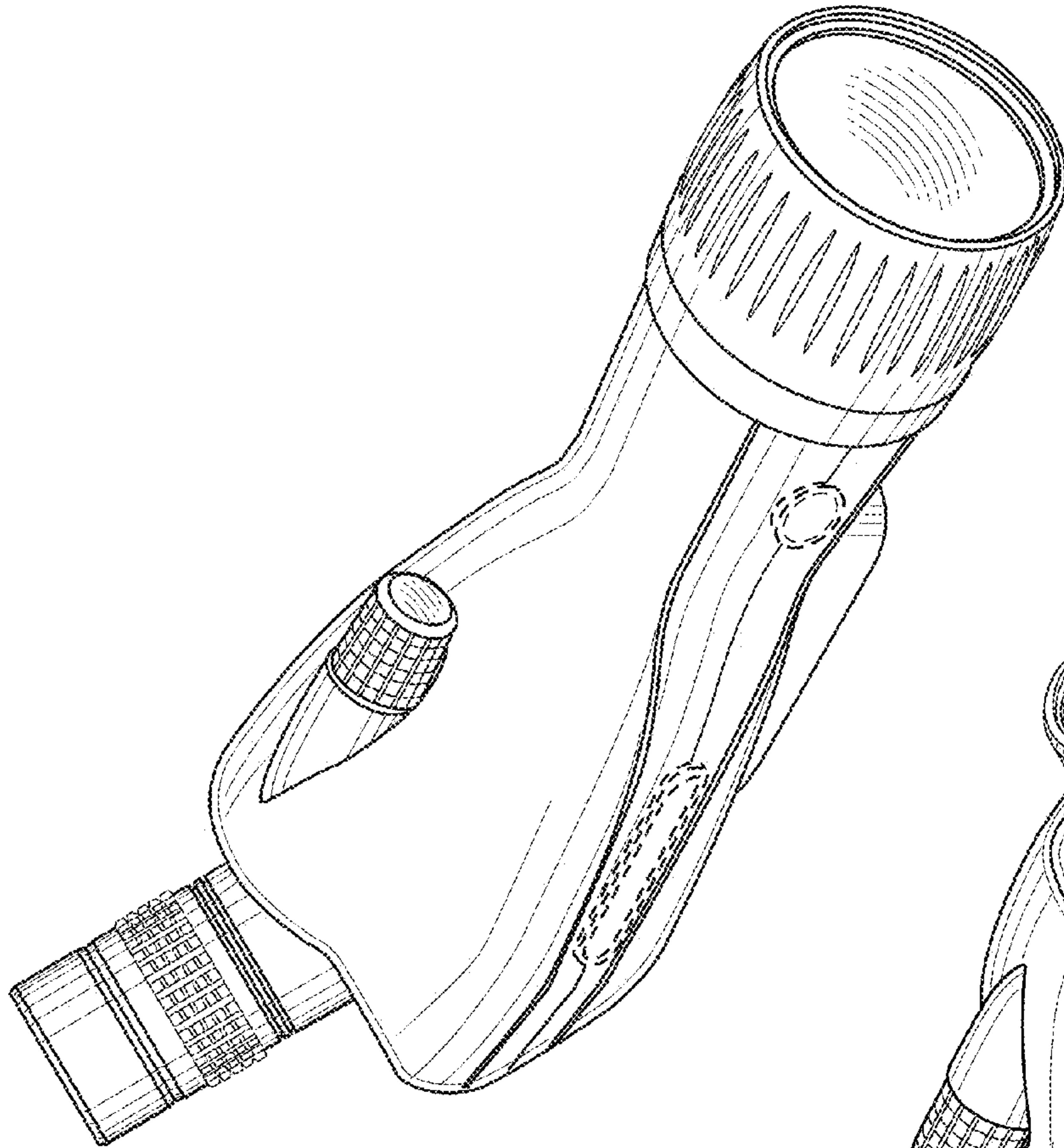


FIG. 8

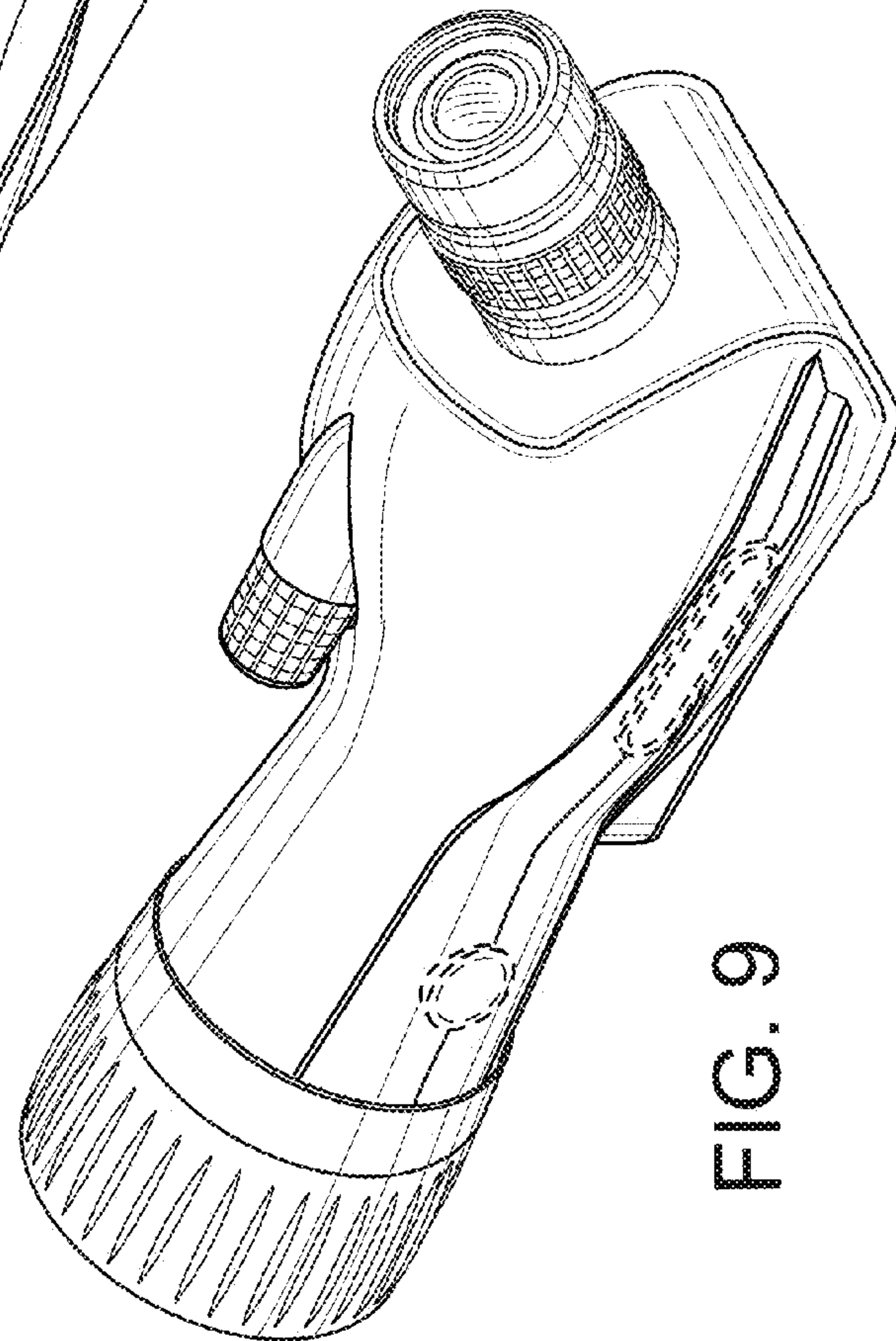


FIG. 9

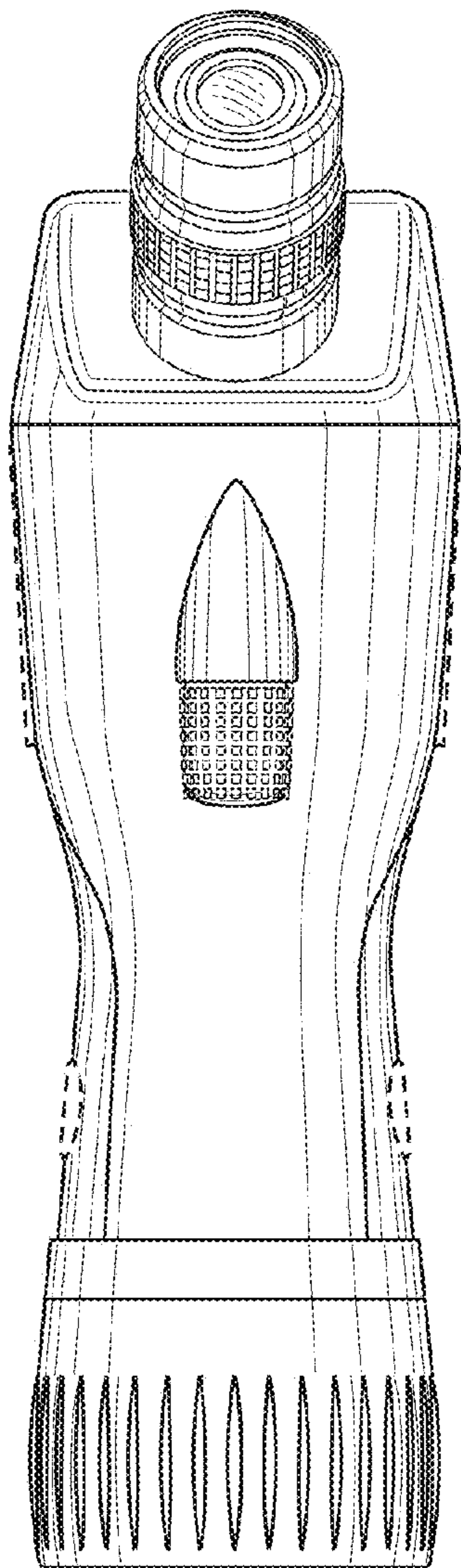


FIG. 10

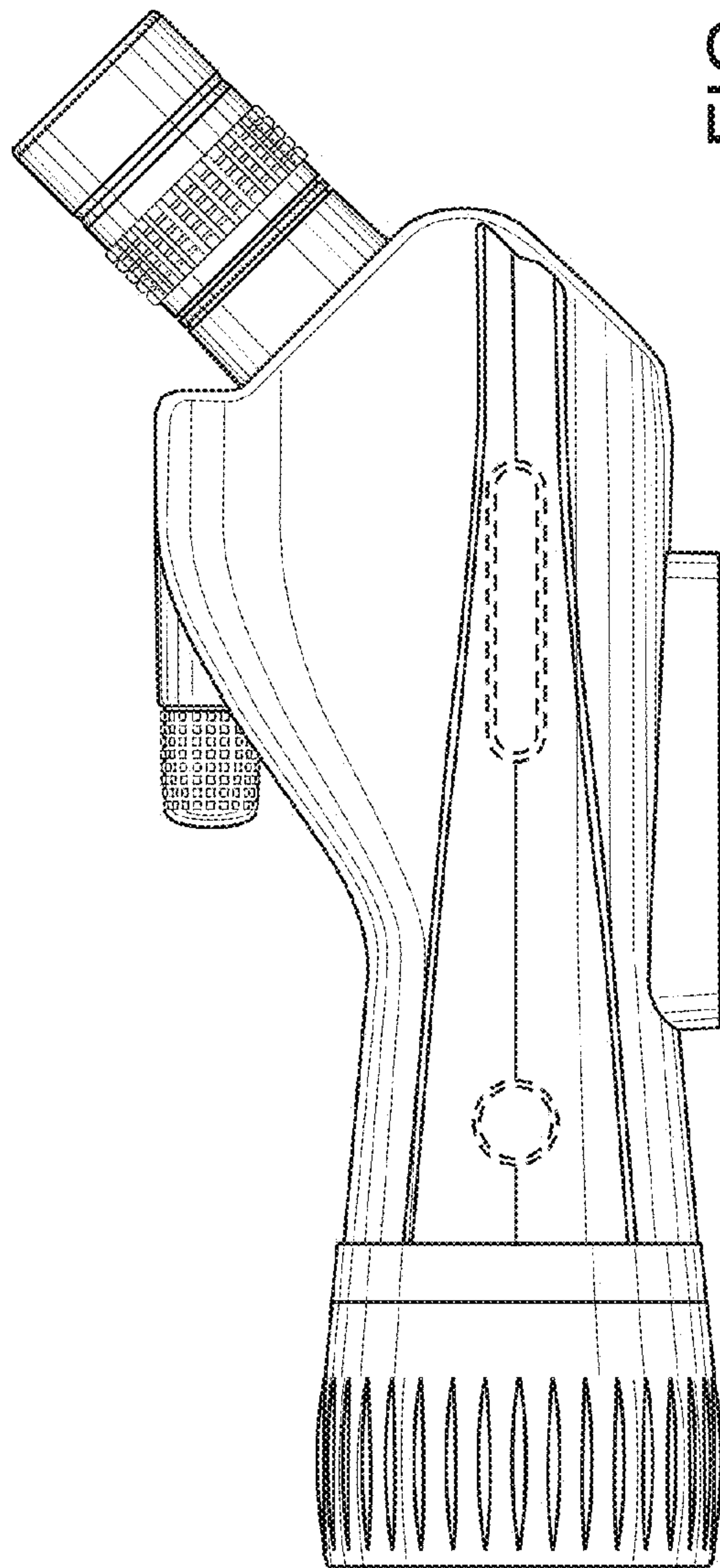


FIG. 11

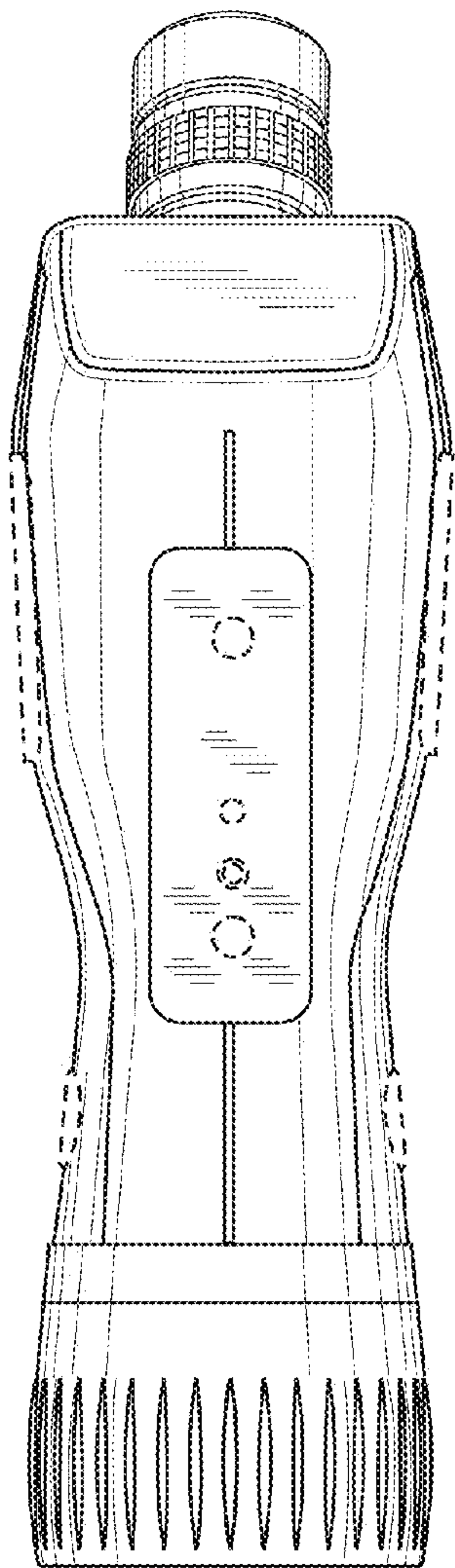


FIG. 12

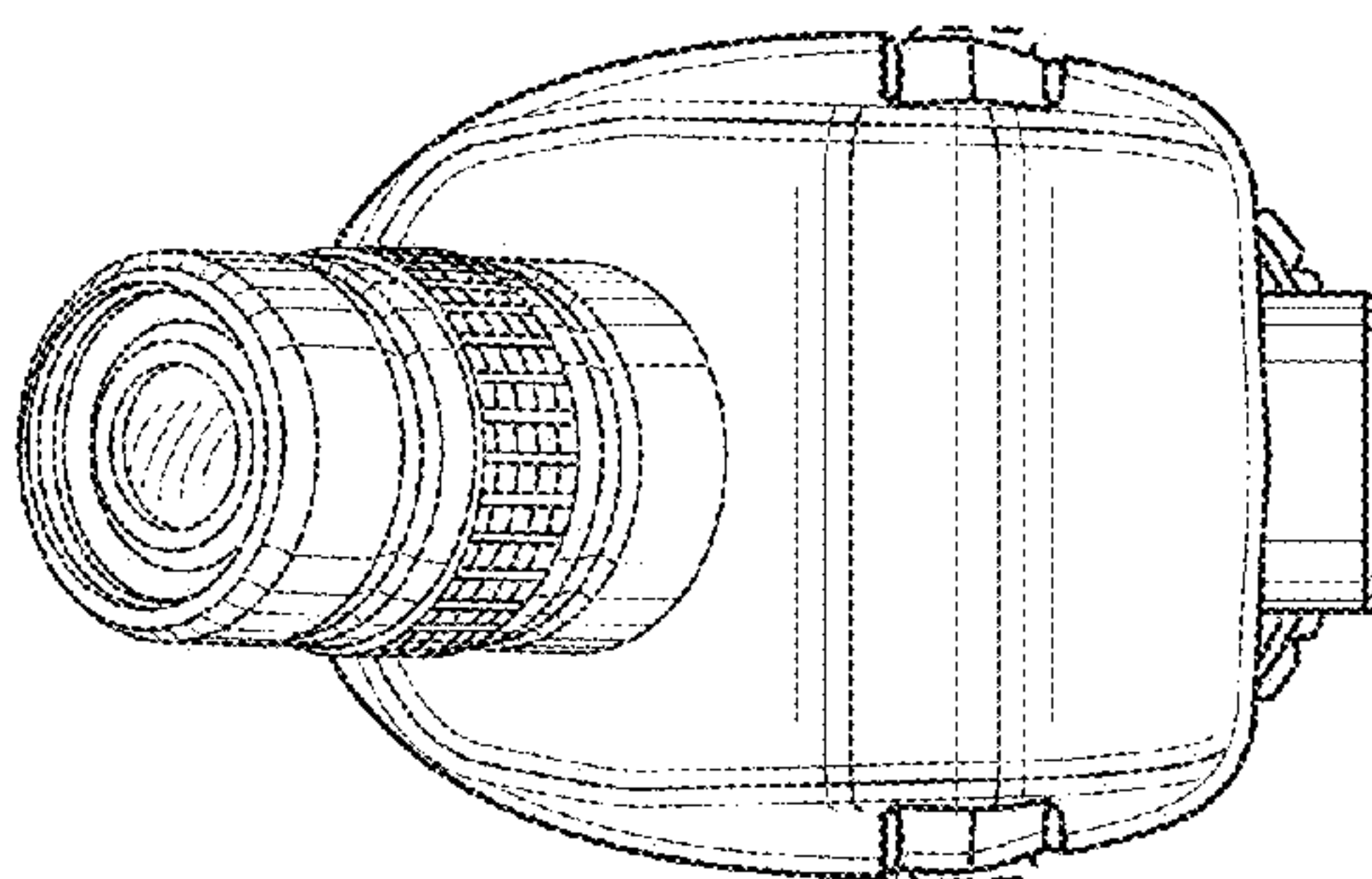


FIG. 13

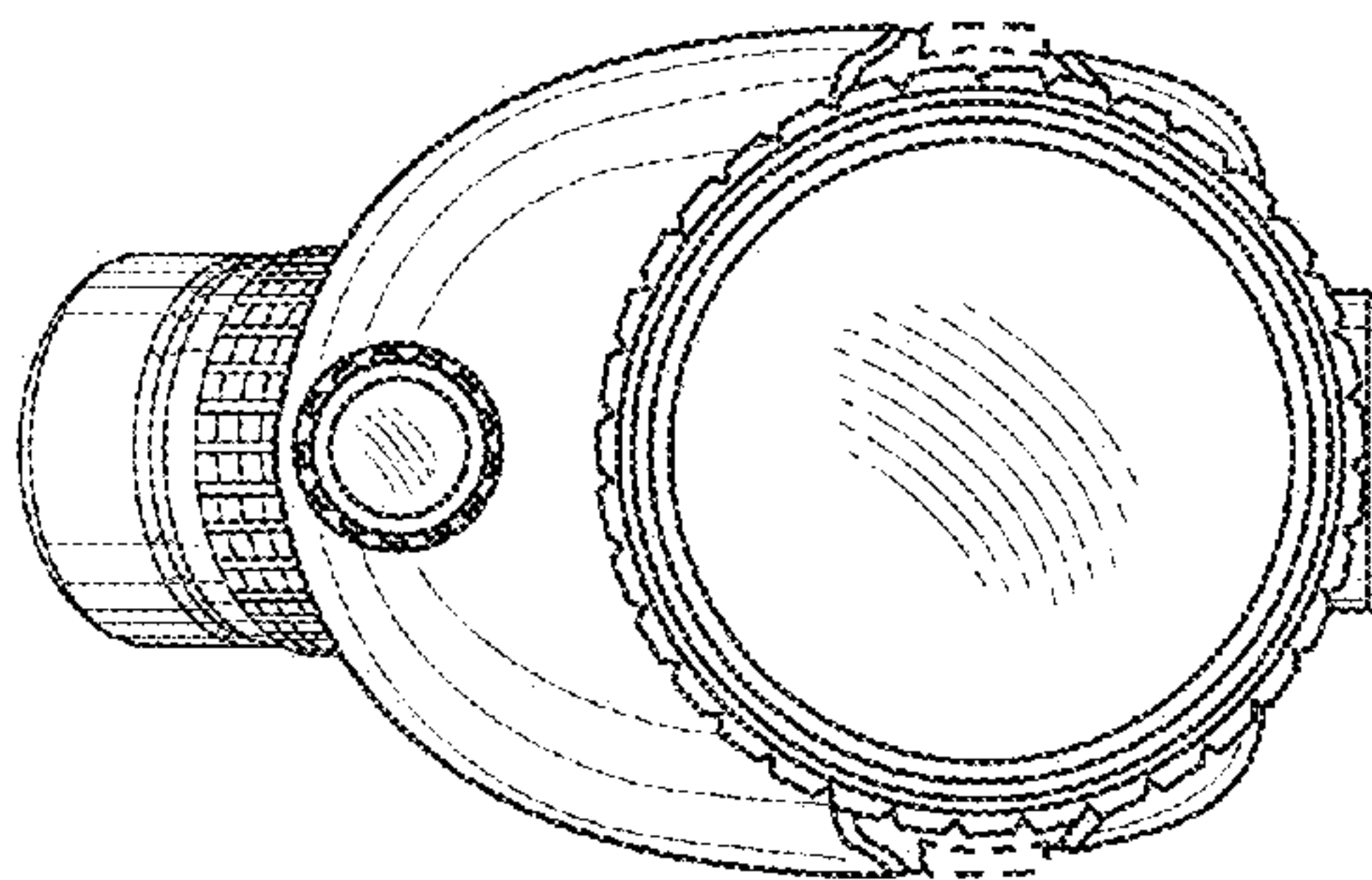


FIG. 14