



US00D685830S

(12) **United States Design Patent**
Lai

(10) **Patent No.:** **US D685,830 S**
(45) **Date of Patent:** **** Jul. 9, 2013**

(54) **OIL BASIN**

(71) Applicant: **Hsiang-Yu Plastic Int Co., Ltd.,**
Changhua (TW)

(72) Inventor: **Kuan-Yu Lai,** Changhua (TW)

(73) Assignee: **Hsiang-Yu Plastic Int. Co., Ltd.,**
Changhua (TW)

(**) Term: **14 Years**

(21) Appl. No.: **29/439,064**

(22) Filed: **Dec. 6, 2012**

(51) **LOC (9) Cl.** **15-99**

(52) **U.S. Cl.**
USPC **D15/150**

(58) **Field of Classification Search**
USPC D15/150-152; D24/123; 4/450; 184/1.5,
184/29, 36, 42, 45.1, 55.1, 105.1, 106; 222/254,
222/256, 258, 359, 385, 389, 628; 280/32.6,
280/79.1 A; 417/417

See application file for complete search history.

(56) **References Cited**

U.S. PATENT DOCUMENTS

D423,531	S	*	4/2000	Becker	D15/150
7,637,337	B2	*	12/2009	Stranges	180/69.1
D623,198	S	*	9/2010	Lai	D15/150
D641,385	S	*	7/2011	Armstrong	D15/150
D661,328	S	*	6/2012	Liao	D15/152

* cited by examiner

Primary Examiner — Patricia Palasik

(74) *Attorney, Agent, or Firm* — Jackson IPG PLLC

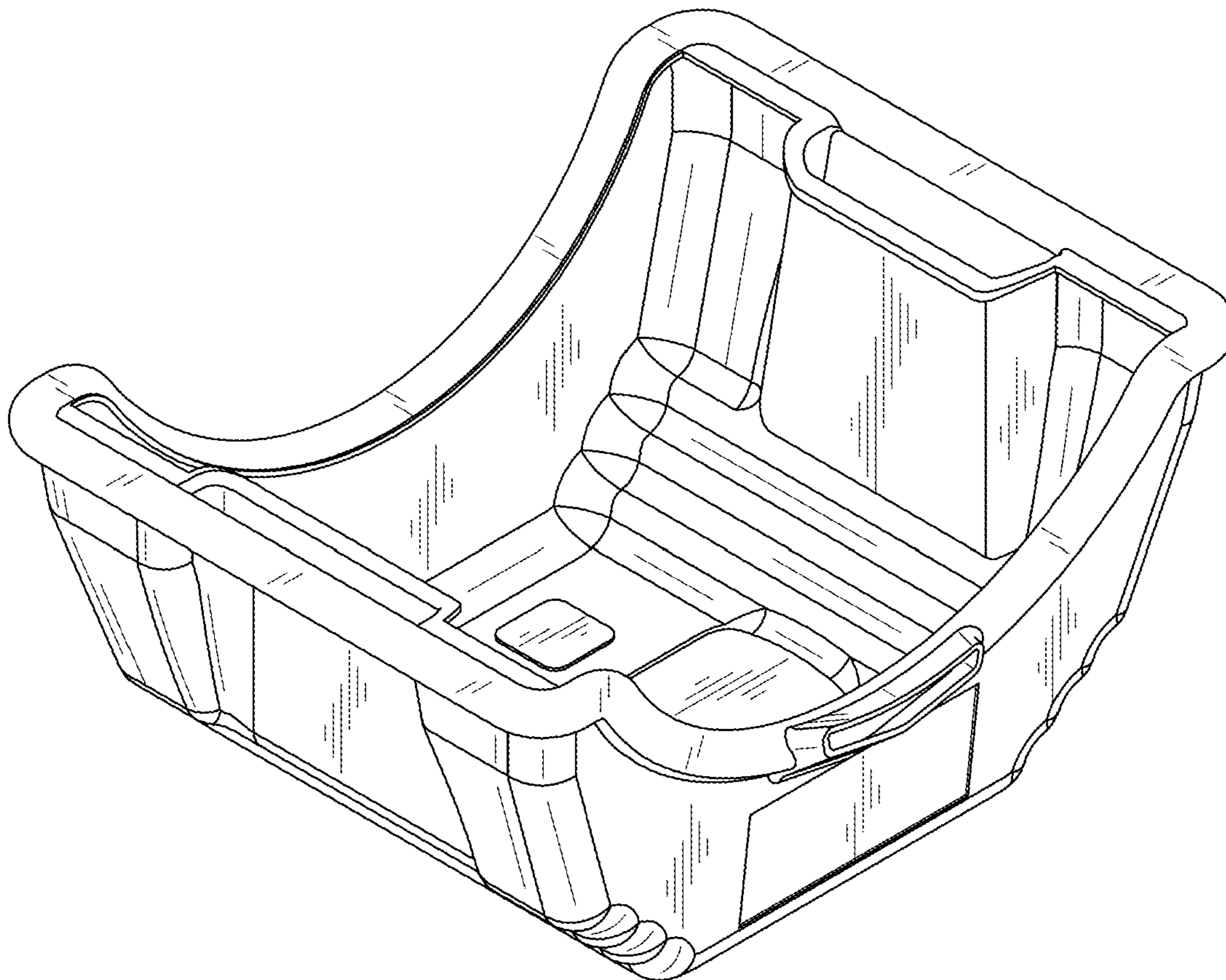
(57) **CLAIM**

I claim the ornamental design for an oil basin, as shown and described.

DESCRIPTION

FIG. 1 is a front elevation view of an oil basin showing my new design;
FIG. 2 is a rear elevation view thereof;
FIG. 3 is a left side view thereof;
FIG. 4 is a right side view thereof;
FIG. 5 is a top plan view thereof;
FIG. 6 is a bottom plan view thereof; and,
FIG. 7 is a perspective view thereof.

1 Claim, 7 Drawing Sheets



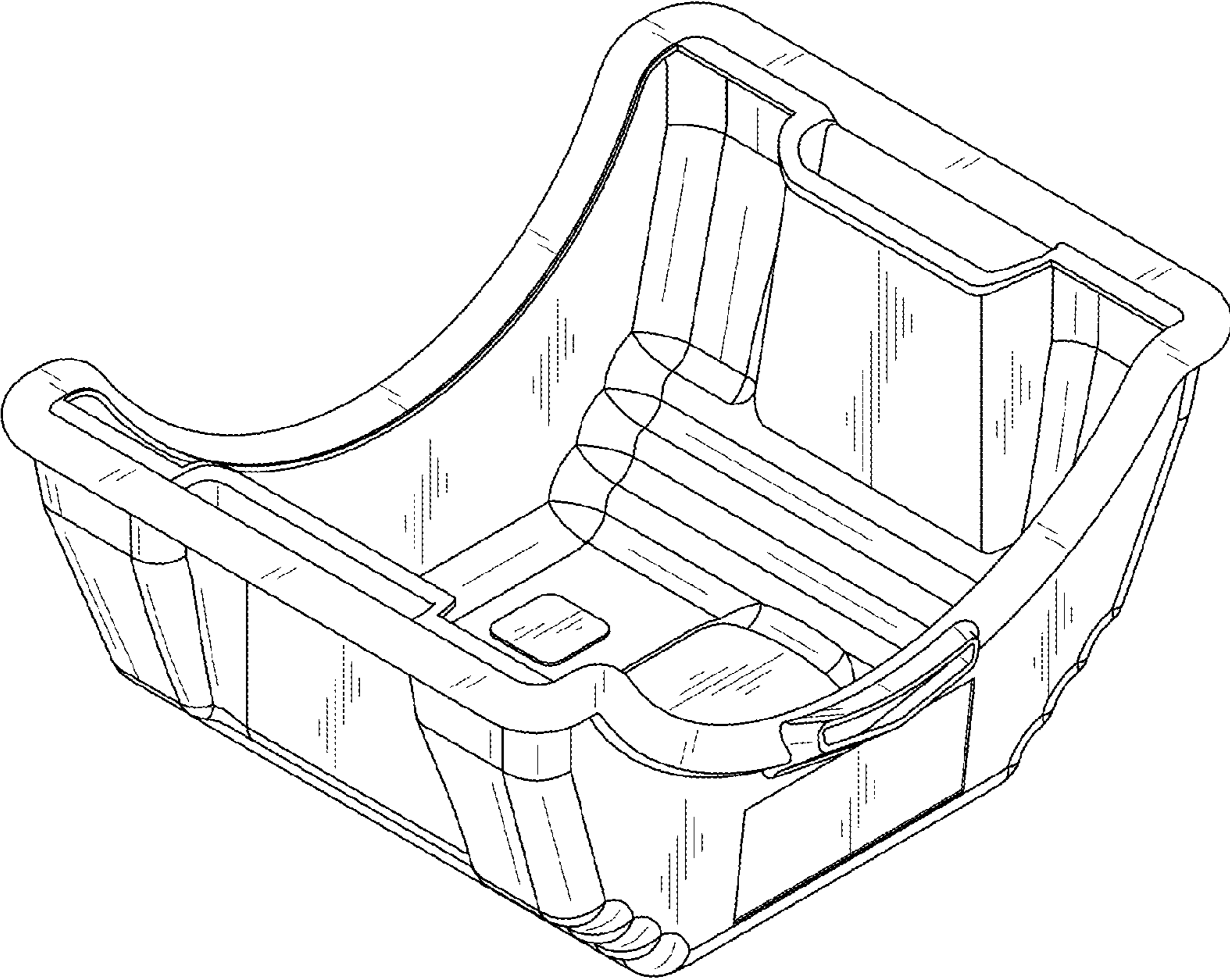


FIG. 1

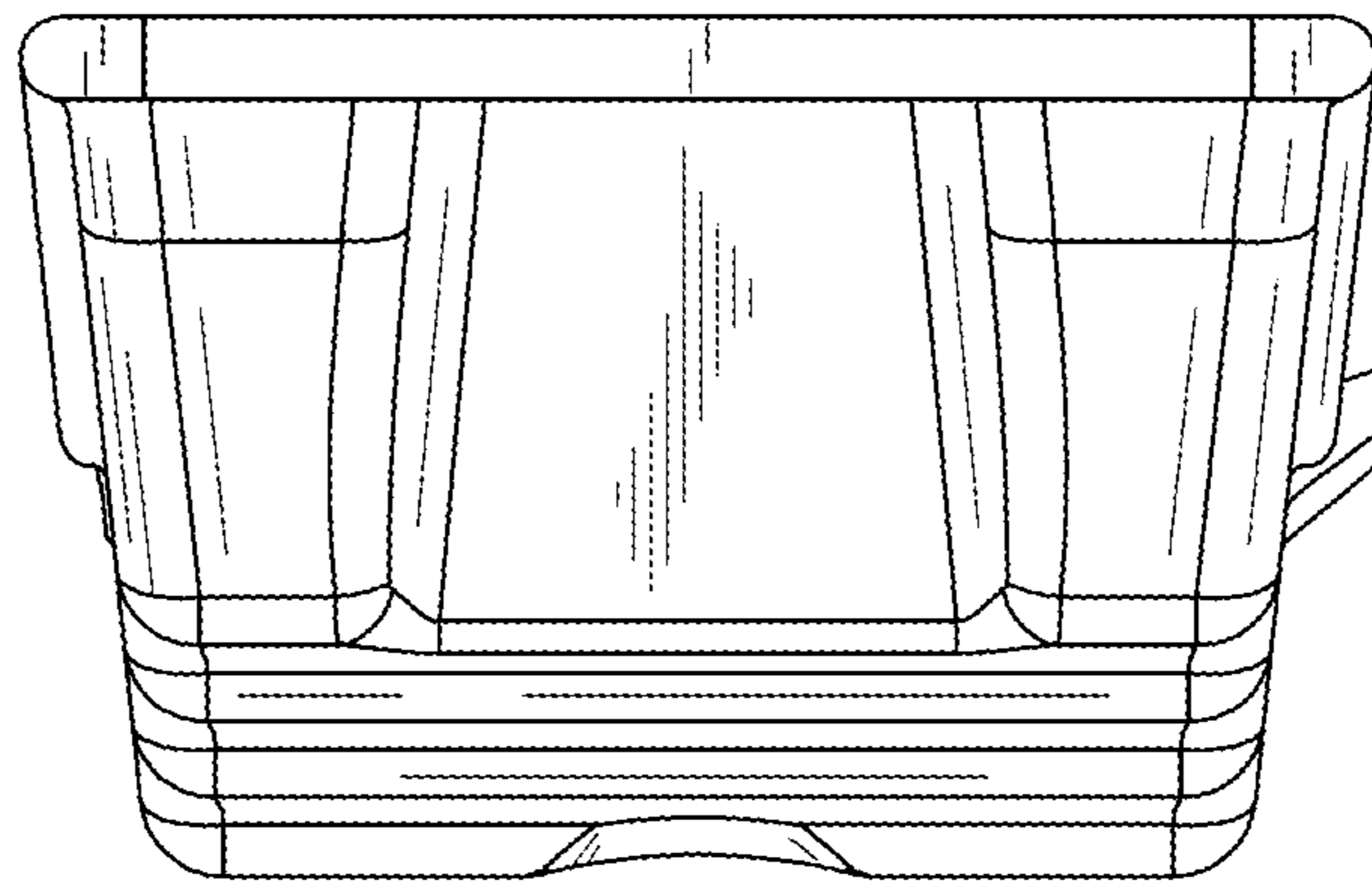


FIG. 2

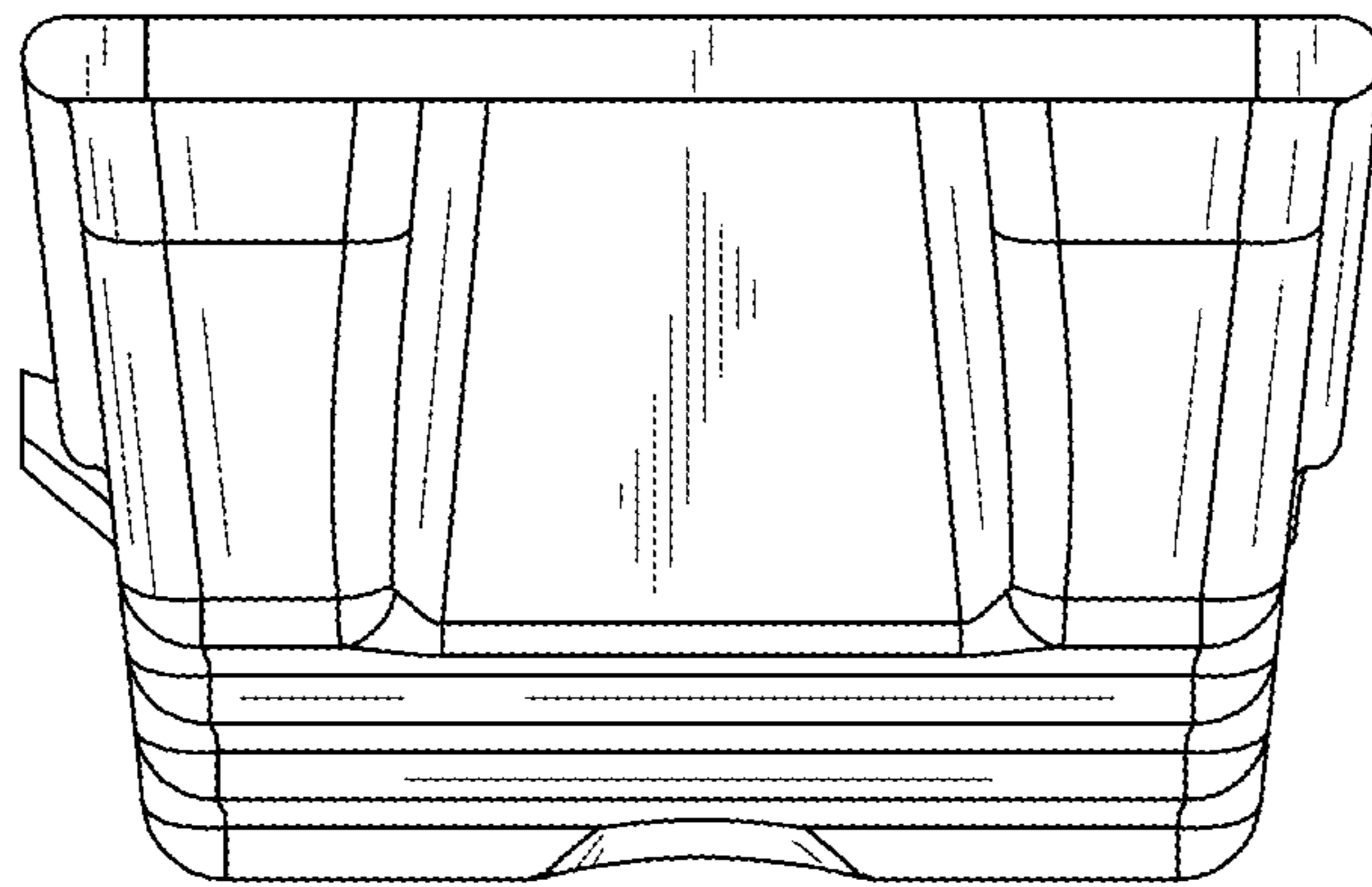


FIG. 3

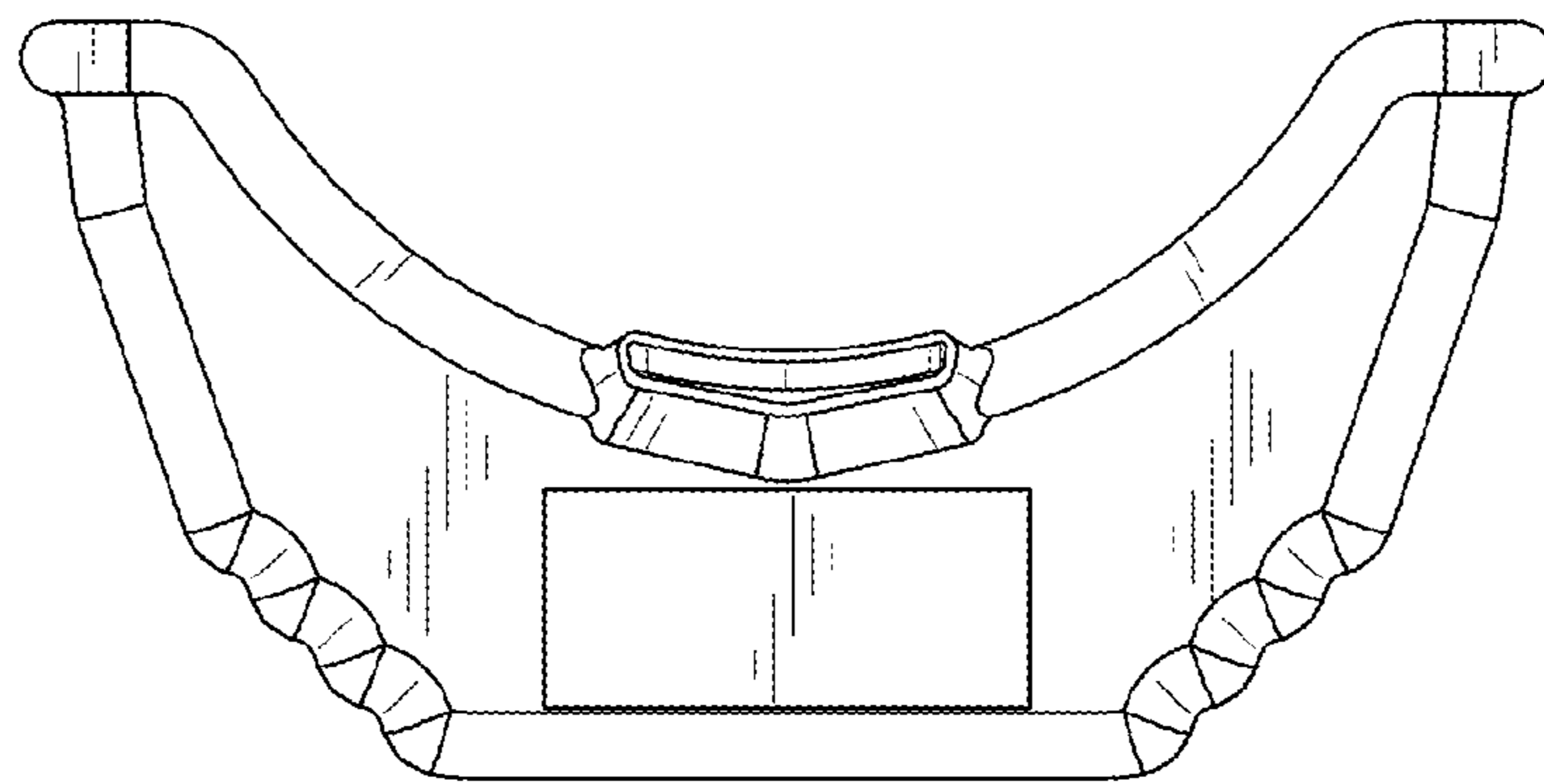


FIG. 4

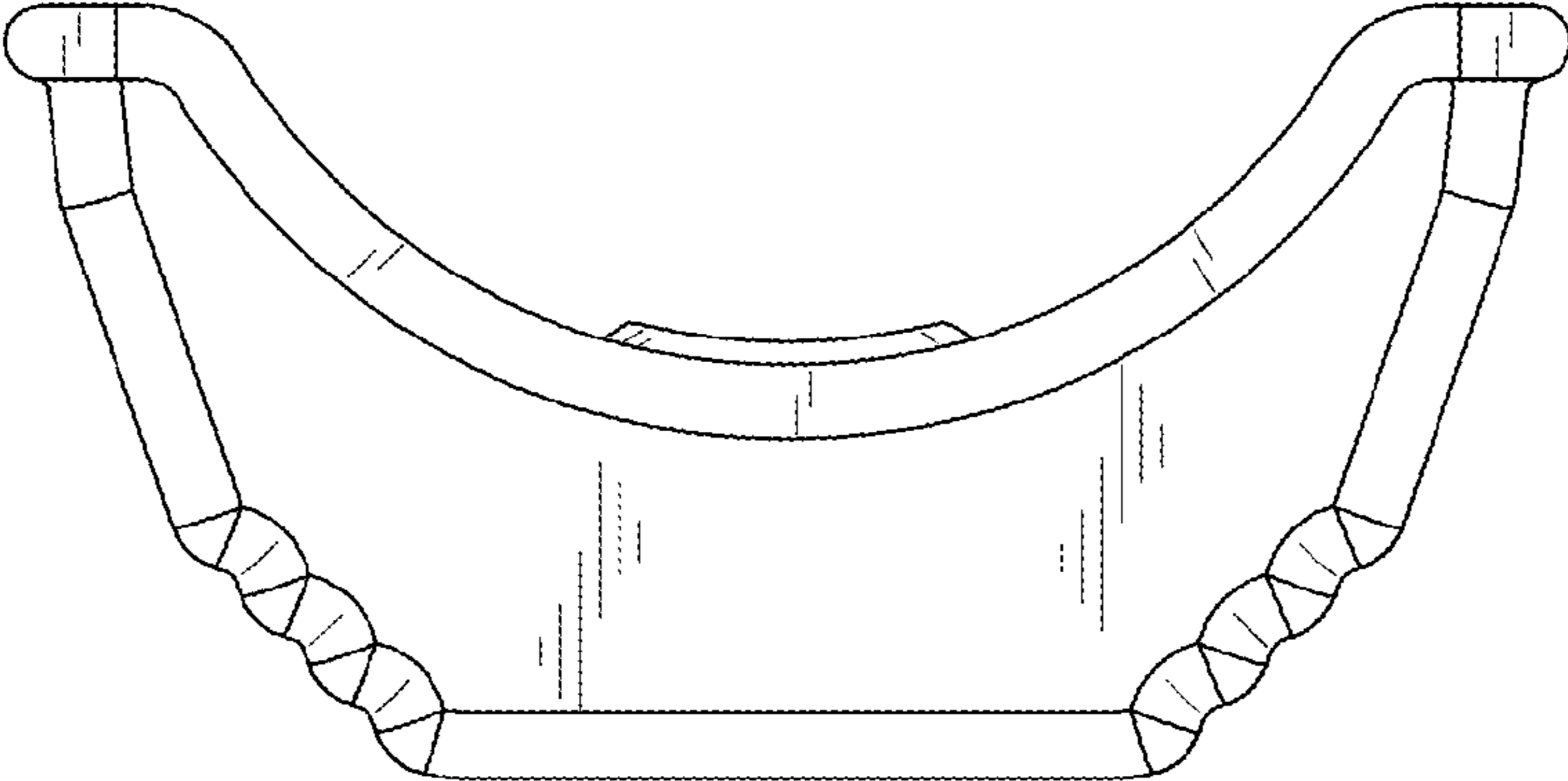


FIG. 5

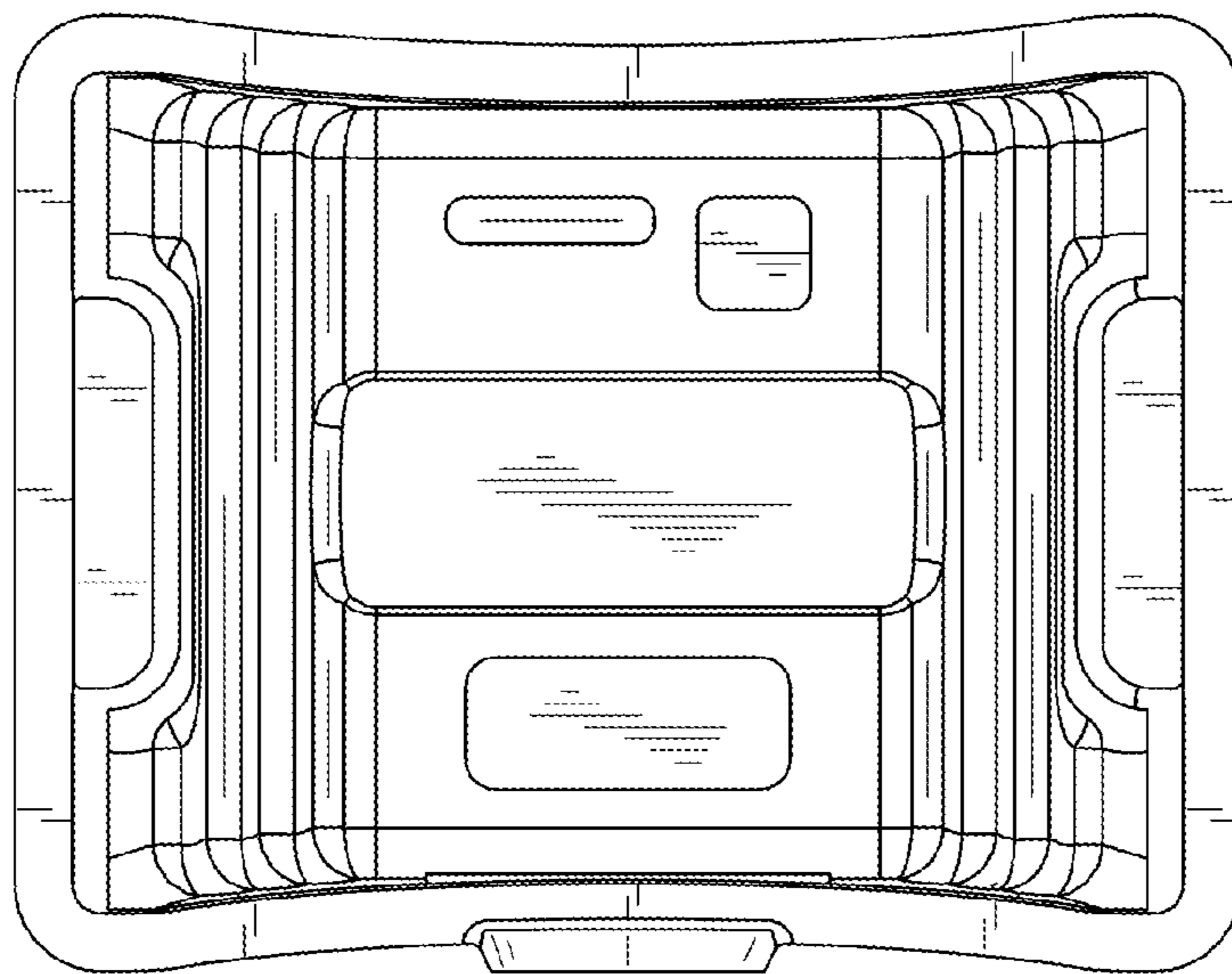


FIG. 6

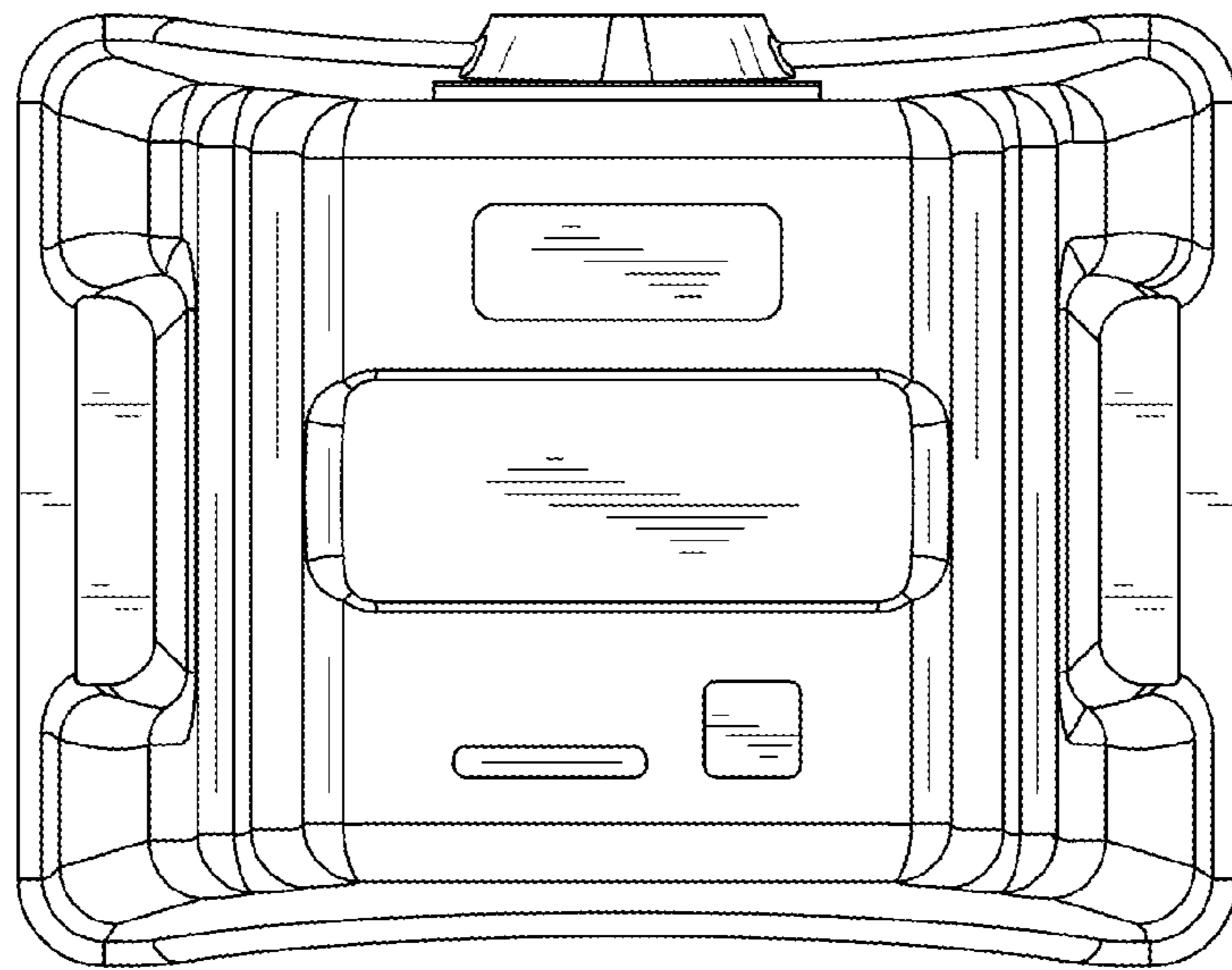


FIG. 7