



US00D685827S

(12) **United States Design Patent**
Sun

(10) **Patent No.:** **US D685,827 S**
(45) **Date of Patent:** **** Jul. 9, 2013**

(54) **MACHINE VISE**

(71) Applicant: **Eric Suyu Sun**, Huntington Beach, CA
(US)

(72) Inventor: **Eric Suyu Sun**, Huntington Beach, CA
(US)

(**) Term: **14 Years**

(21) Appl. No.: **29/436,649**

(22) Filed: **Nov. 8, 2012**

(51) **LOC (9) Cl.** **15-09**

(52) **U.S. Cl.**
USPC **D15/140; D8/74**

(58) **Field of Classification Search**
USPC D8/71-74; D15/140; 269/32, 43,
269/134, 136, 154, 215, 244, 256-270, 271,
269/283, 284, 286, 329, 906
See application file for complete search history.

6,017,026	A	1/2000	Durfee, Jr.	
6,139,001	A *	10/2000	Buck	269/136
D436,012	S *	1/2001	Lavigne et al.	D8/74
6,170,814	B1	1/2001	Swann	
6,206,354	B1	3/2001	Lin	
6,244,580	B1	6/2001	Durfee, Jr.	
6,250,620	B1	6/2001	Durfee, Jr.	
6,361,034	B1 *	3/2002	Wolfe	269/8
6,409,161	B1	6/2002	Wolff	
6,427,995	B1 *	8/2002	Steinwall	269/283
6,598,867	B2	7/2003	Martinez	
6,672,578	B1 *	1/2004	Martens	269/282
6,773,003	B2 *	8/2004	Dermody, Jr.	269/282
6,896,249	B1 *	5/2005	Ferrara	269/154
6,971,643	B1 *	12/2005	Garrison	269/282
7,152,855	B1 *	12/2006	Martens	269/283
7,163,201	B2	1/2007	Bernstein	
D647,381	S *	10/2011	Lin et al.	D8/74
8,167,291	B2 *	5/2012	Parks et al.	269/261
8,210,510	B2 *	7/2012	Li et al.	269/246
2003/0071402	A1 *	4/2003	Martinez	269/43
2009/0020937	A1 *	1/2009	Odell	269/271

* cited by examiner

Primary Examiner — Patricia Palasik

(56) **References Cited**

U.S. PATENT DOCUMENTS

2,564,138	A	8/1951	Walker	
D254,376	S *	3/1980	Glomb et al.	D15/140
4,383,682	A *	5/1983	Feinberg	269/76
4,529,183	A	7/1985	Krason	
4,685,663	A	8/1987	Jorgensen	
4,863,151	A *	9/1989	Justesen	269/261
4,934,674	A	6/1990	Bernstein	
4,966,350	A	10/1990	Chick	
5,022,636	A	6/1991	Swann	
5,098,073	A	3/1992	Lenz	
D334,017	S *	3/1993	Mummaw et al.	D15/140
5,242,159	A	9/1993	Bernstein	
5,374,040	A	12/1994	Lin	
5,458,321	A	10/1995	Durfee, Jr.	
5,505,437	A	4/1996	Durfee, Jr.	
5,649,694	A	7/1997	Buck	
D387,457	S *	12/1997	Bennett	D26/62
5,893,551	A	4/1999	Cousins	
5,984,290	A	11/1999	Durfee, Jr.	
6,012,712	A	1/2000	Bernstein	

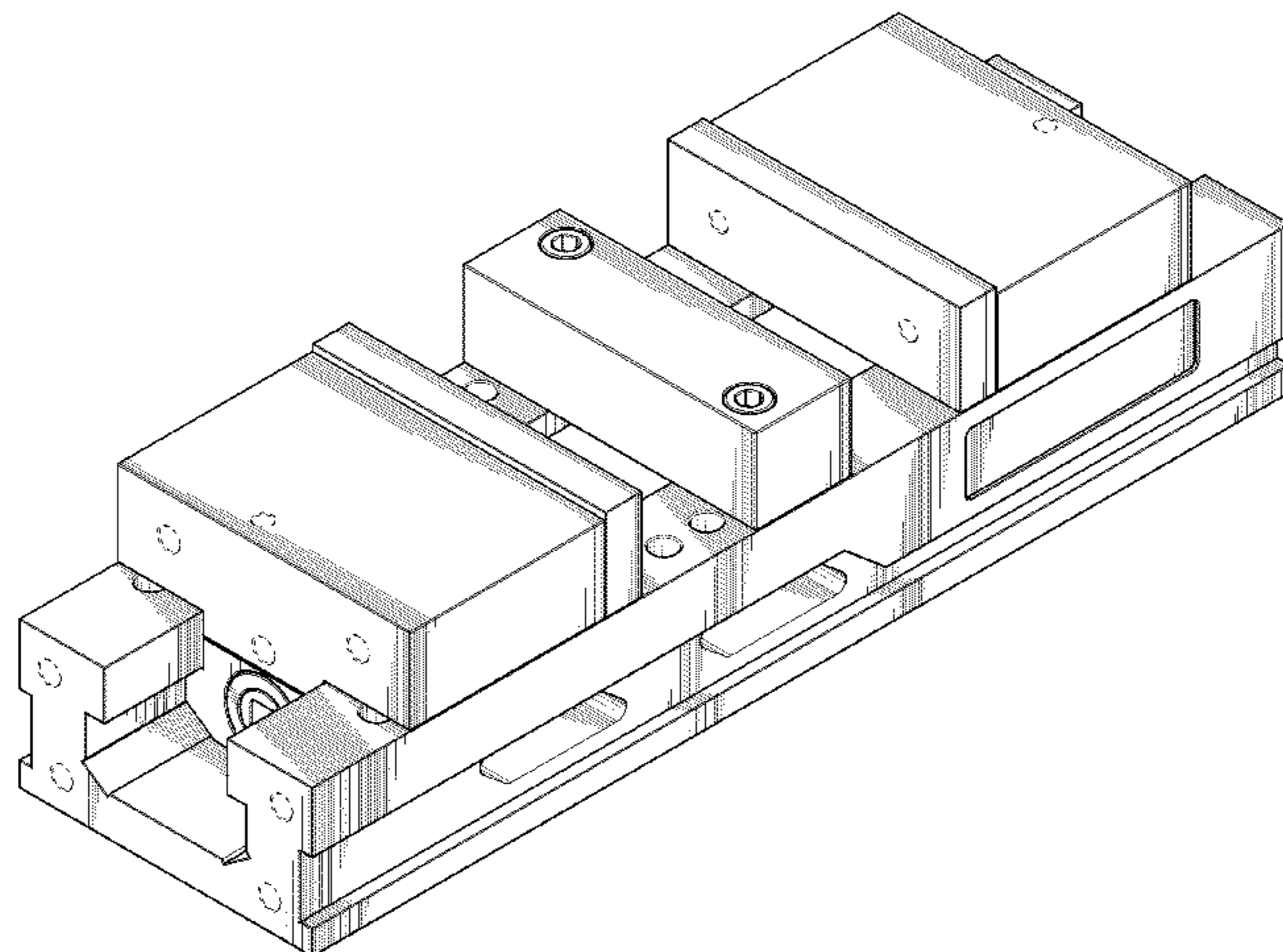
(57) **CLAIM**

The ornamental design for a machine vise, as shown and described.

DESCRIPTION

FIG. 1 shows a front isometric view of a machine vise embodying my new design;
 FIG. 2 shows a rear isometric view thereof;
 FIG. 3 shows a bottom, front isometric view thereof;
 FIG. 4 shows a top plan view thereof;
 FIG. 5 shows a bottom plan view thereof;
 FIG. 6 shows a right side elevational view thereof;
 FIG. 7 shows a left side elevational view thereof;
 FIG. 8 shows a front elevational view thereof; and,
 FIG. 9 shows a rear elevational view thereof.
 The dashed lines in the figures depict unclaimed environmental subject matter and form no part of the claimed design.

1 Claim, 7 Drawing Sheets



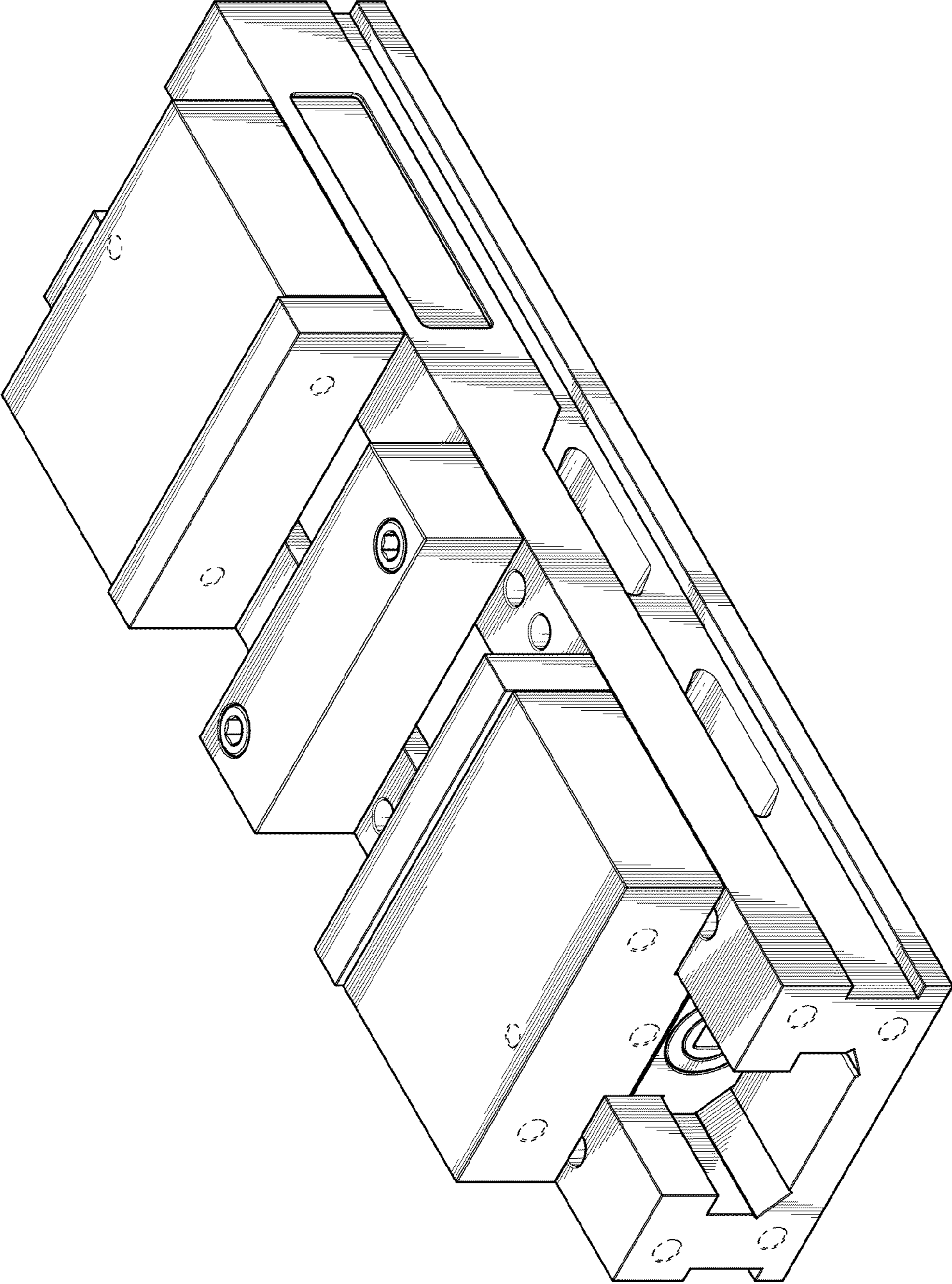


FIG. 1

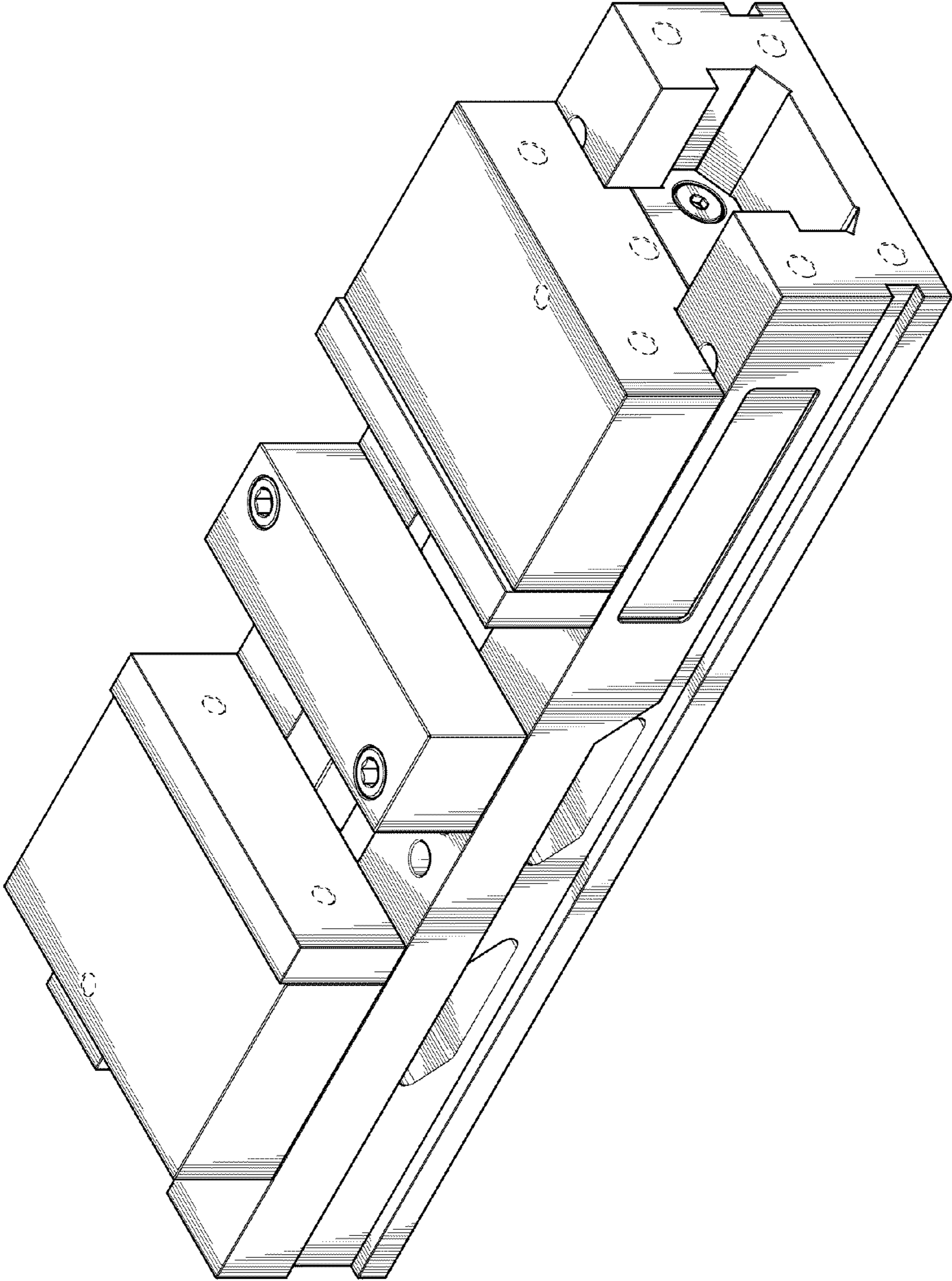


FIG. 2

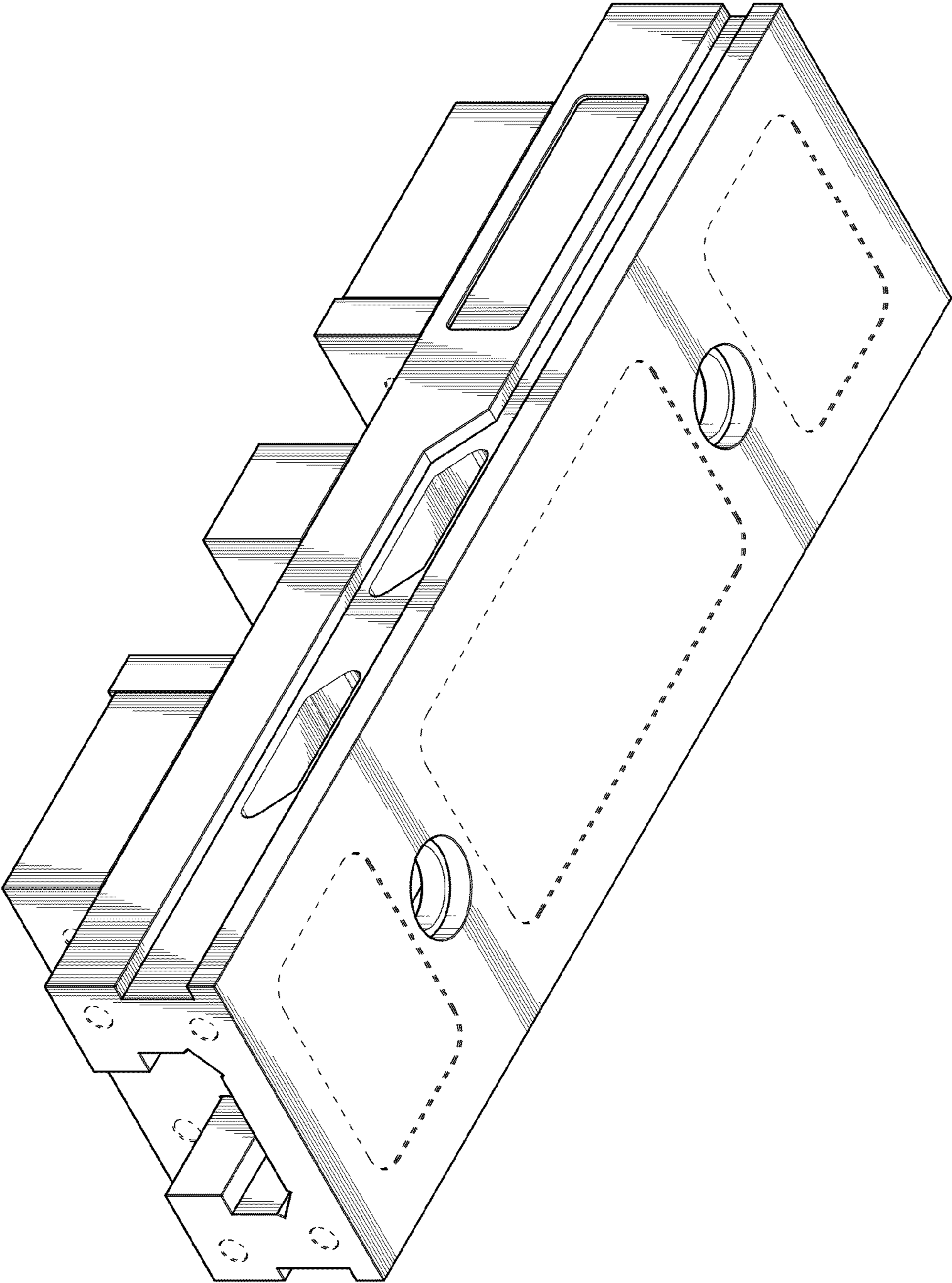


FIG. 3

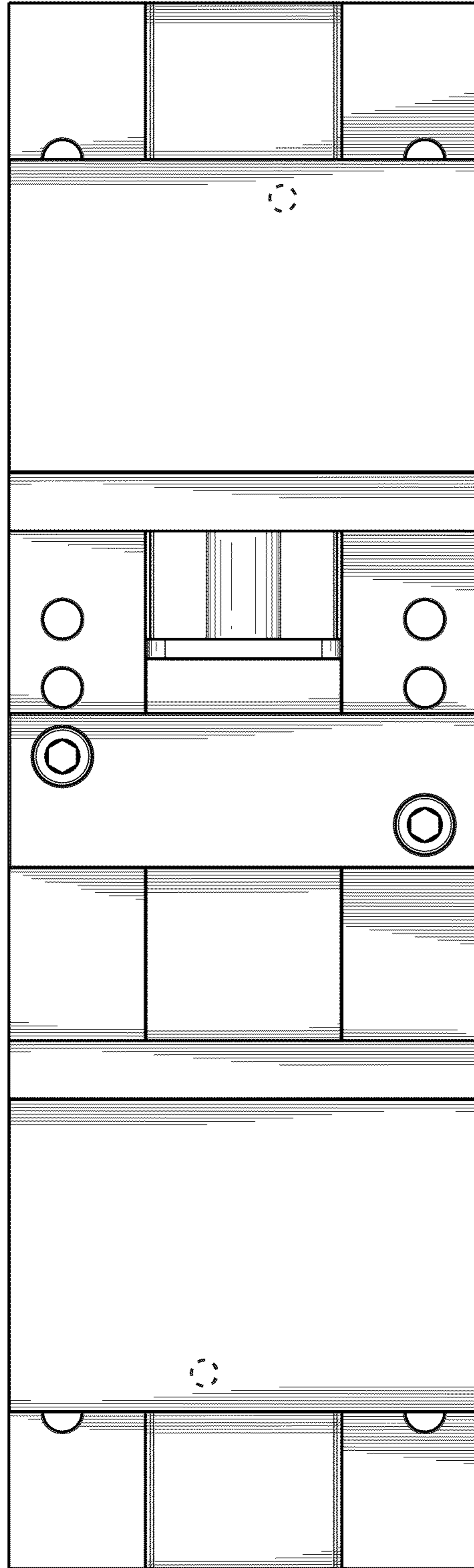


FIG. 4

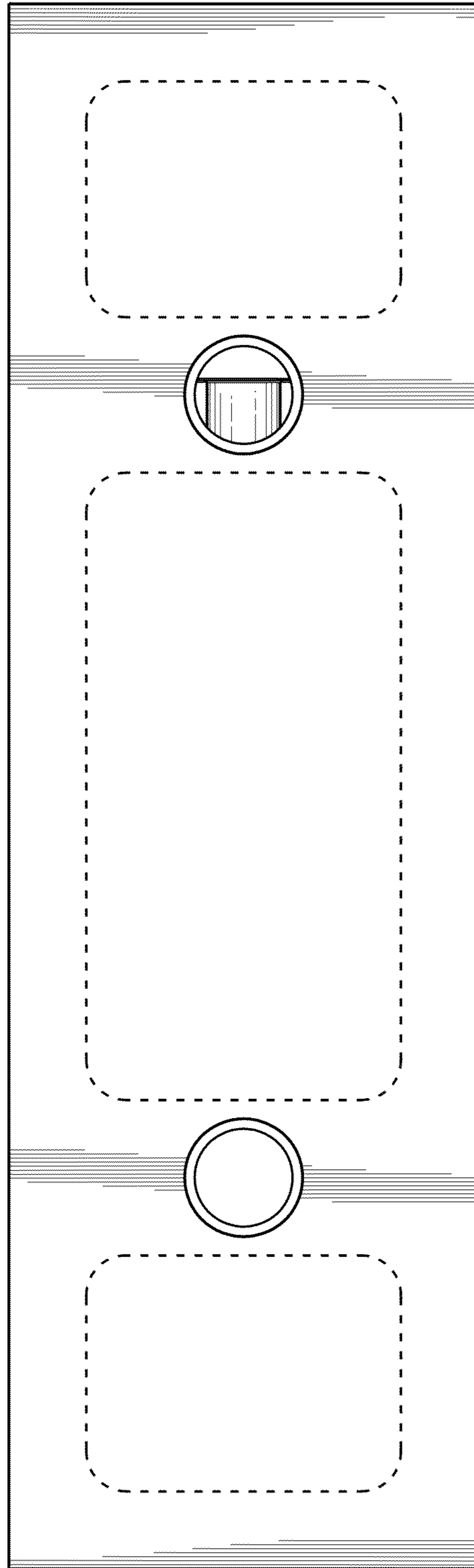


FIG. 5

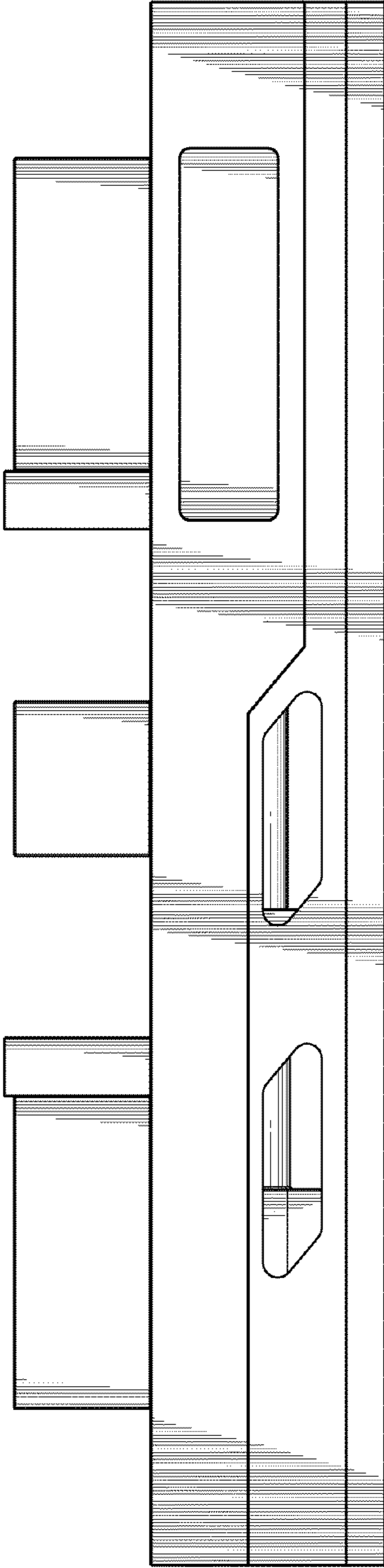


FIG. 6

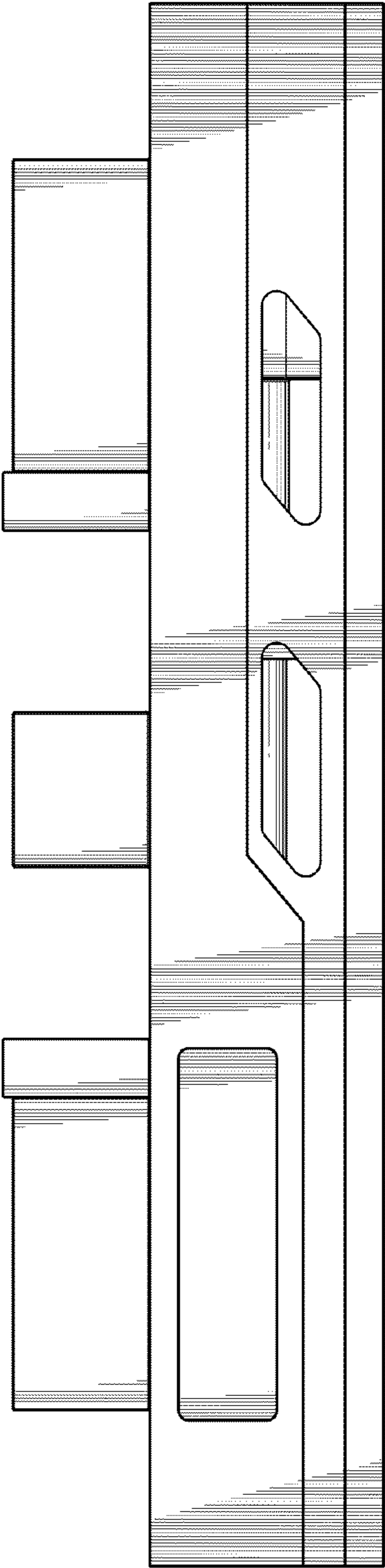


FIG. 7

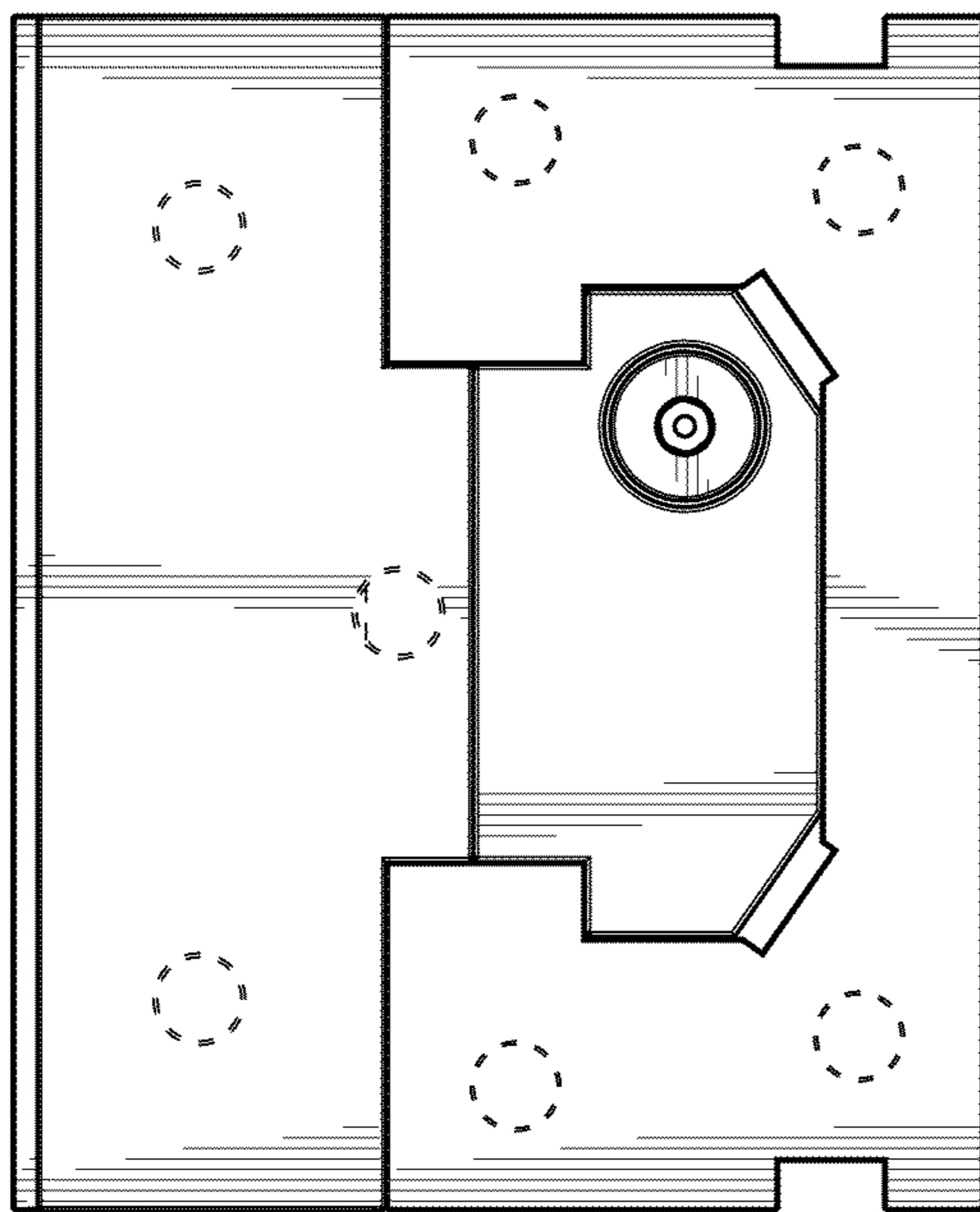


FIG. 9

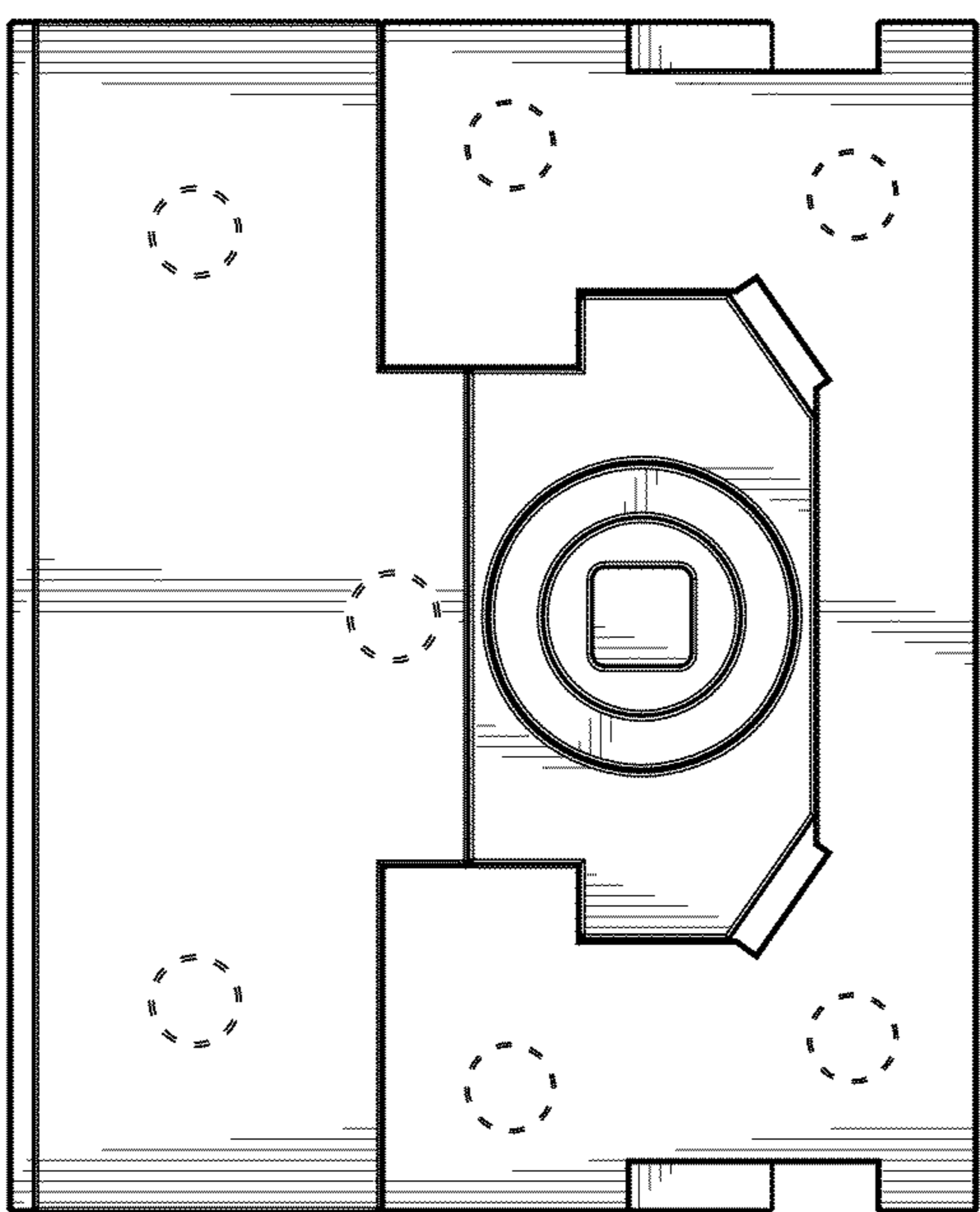


FIG. 8