



US00D685823S

(12) **United States Design Patent**
Crorey

(10) **Patent No.:** **US D685,823 S**
(45) **Date of Patent:** **** Jul. 9, 2013**

(54) **BRACELET MAKER**

(76) Inventor: **David J. Crorey**, Clinton Township, MI
(US)

(**) Term: **14 Years**

(21) Appl. No.: **29/420,231**

(22) Filed: **May 7, 2012**

(51) **LOC (9) Cl.** **15-06**

(52) **U.S. Cl.**
USPC **D15/78**

(58) **Field of Classification Search**
USPC D15/66, 78; D6/324, 327; D3/18,
D3/21, 25, 271.1; 289/2, 17; 28/151, 152;
29/241, 433
See application file for complete search history.

(56) **References Cited**

U.S. PATENT DOCUMENTS

562,981	A	6/1896	Sprinkle
685,212	A	10/1901	Knowlton
2,482,218	A	9/1949	Segal
2,534,094	A	12/1950	Yerkes
4,438,579	A	3/1984	Engel
4,688,457	A	8/1987	Neilsen et al.
4,898,055	A	2/1990	Neilsen
5,031,495	A	7/1991	Kogane et al.
5,525,187	A	6/1996	Pascal et al.
5,725,469	A	3/1998	Rehkemper et al.
5,829,334	A	11/1998	Evans et al.
6,209,434	B1	4/2001	Kim et al.
6,349,453	B1	2/2002	Nicoletti et al.
6,629,434	B2	10/2003	Chia et al.
6,715,911	B2	4/2004	Villarreal et al.
7,040,778	B2	5/2006	Villarreal et al.

7,111,447	B2	9/2006	Rosenwasser
7,322,213	B2	1/2008	Tamir et al.
7,414,221	B2	8/2008	Pratt, Sr. et al.
D619,150	S *	7/2010	Crorey D15/78
D626,574	S *	11/2010	Crorey D15/78
7,854,818	B2	12/2010	Plummer
7,946,631	B2 *	5/2011	Crorey 289/2
D656,524	S *	3/2012	Karwowicz D15/78
8,172,281	B2 *	5/2012	Crorey 289/17
D667,468	S *	9/2012	Crorey D15/78
D674,190	S *	1/2013	Wijerama et al. D3/271.1
D676,880	S *	2/2013	Crorey D15/66
8,371,624	B2 *	2/2013	Karwowicz et al. 289/17
2003/0142511	A1	7/2003	Villarreal et al.
2006/0248764	A1	11/2006	Spiegelberg
2007/0283601	A1	12/2007	Peterson
2008/0016914	A1	1/2008	Golan
2011/0048072	A1	3/2011	Mullen et al.
2011/0120188	A1	5/2011	Kaupp

* cited by examiner

Primary Examiner — Mitchell Siegel

(74) *Attorney, Agent, or Firm* — Young Basile

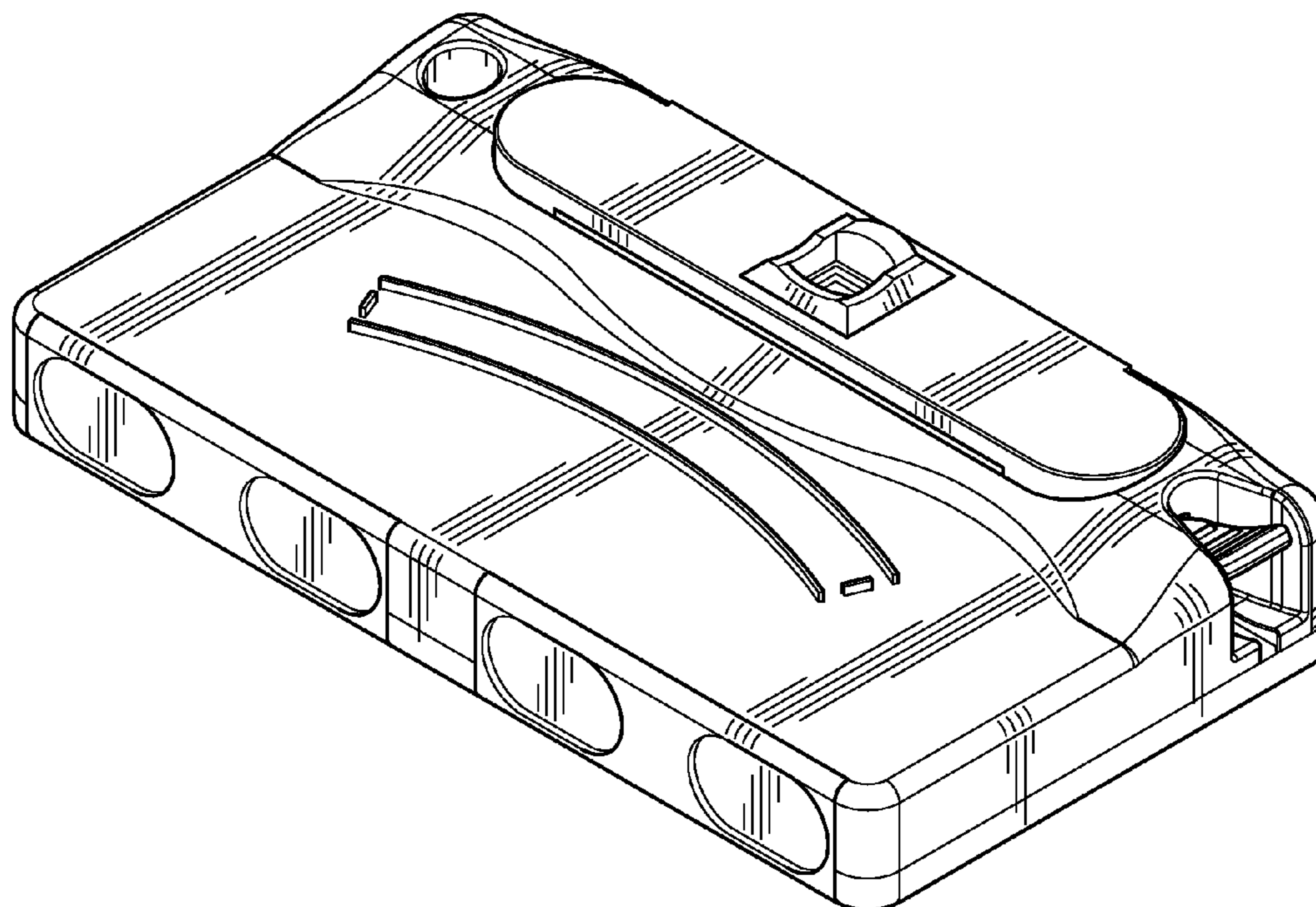
(57) **CLAIM**

The ornamental design for a bracelet maker, as shown and described.

DESCRIPTION

FIG. 1 is a perspective view of a bracelet maker showing my new design;
FIG. 2 is a top plan view thereof;
FIG. 3 is a front view thereof;
FIG. 4 is a rear view thereof;
FIG. 5 is a left-side view thereof; and,
FIG. 6 is a right-side view thereof.

1 Claim, 2 Drawing Sheets



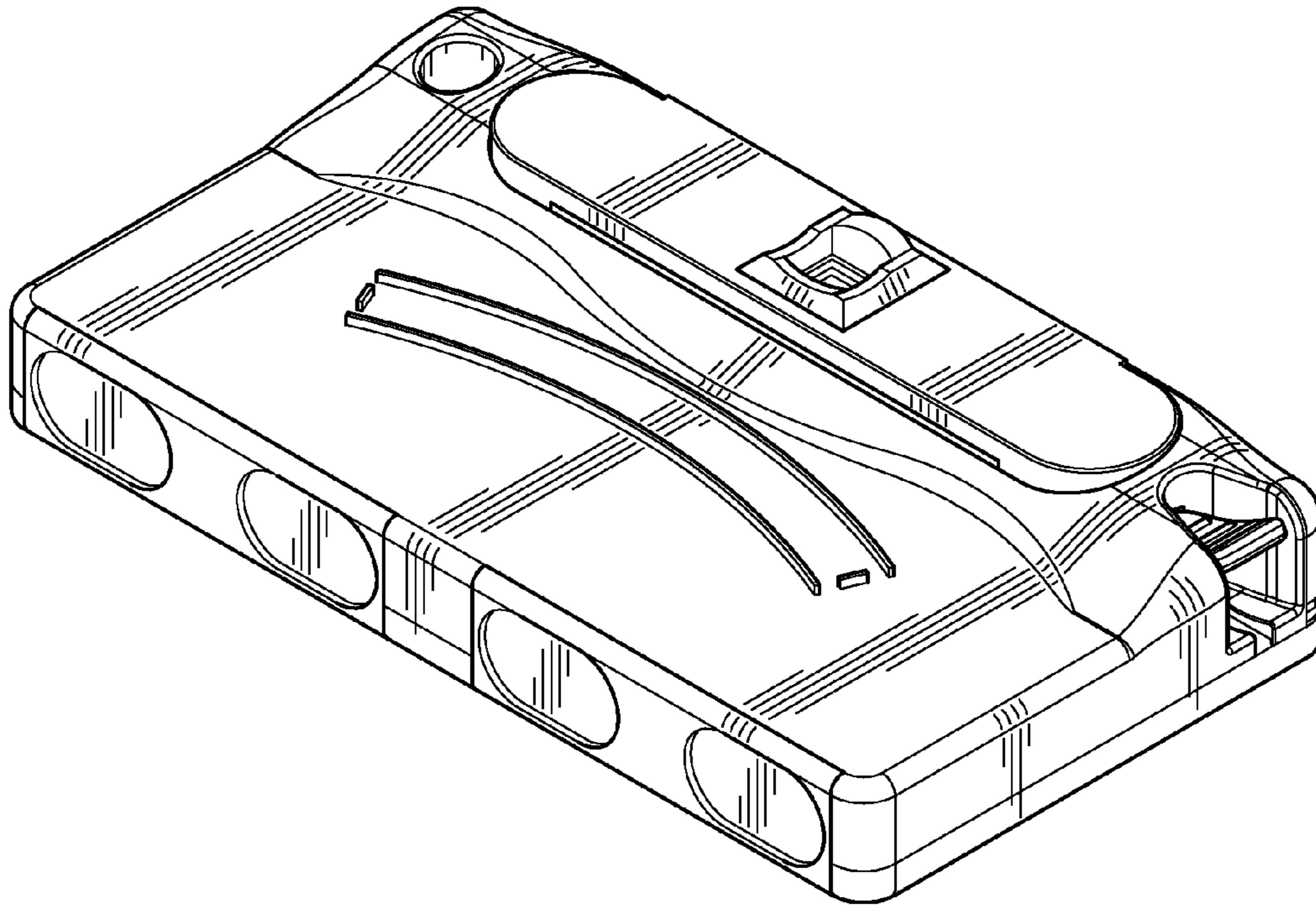


FIG. 1

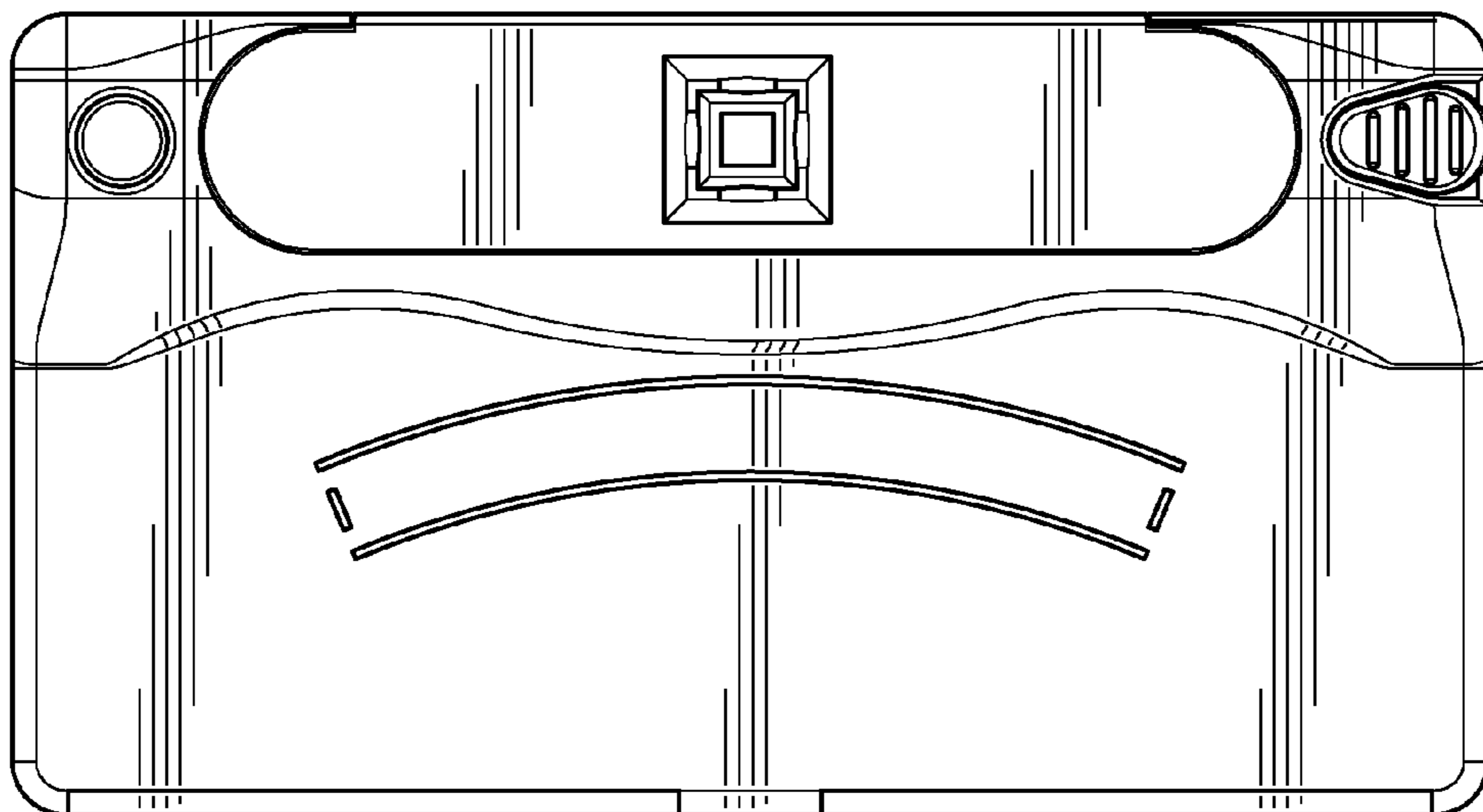


FIG. 2

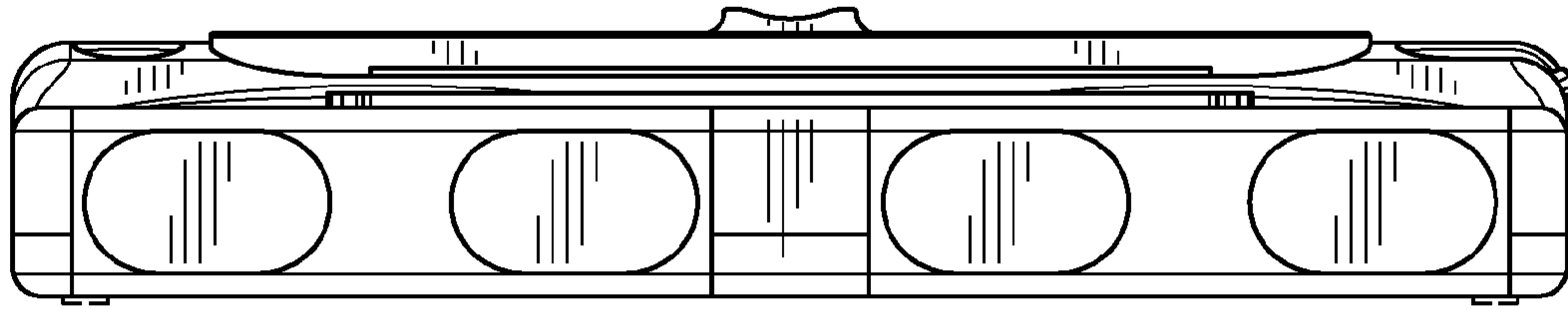


FIG. 3

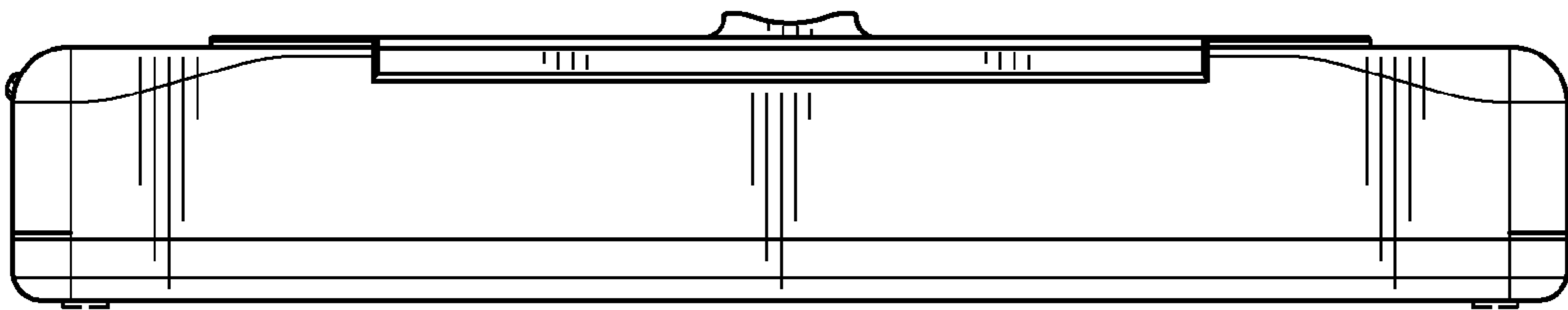


FIG. 4

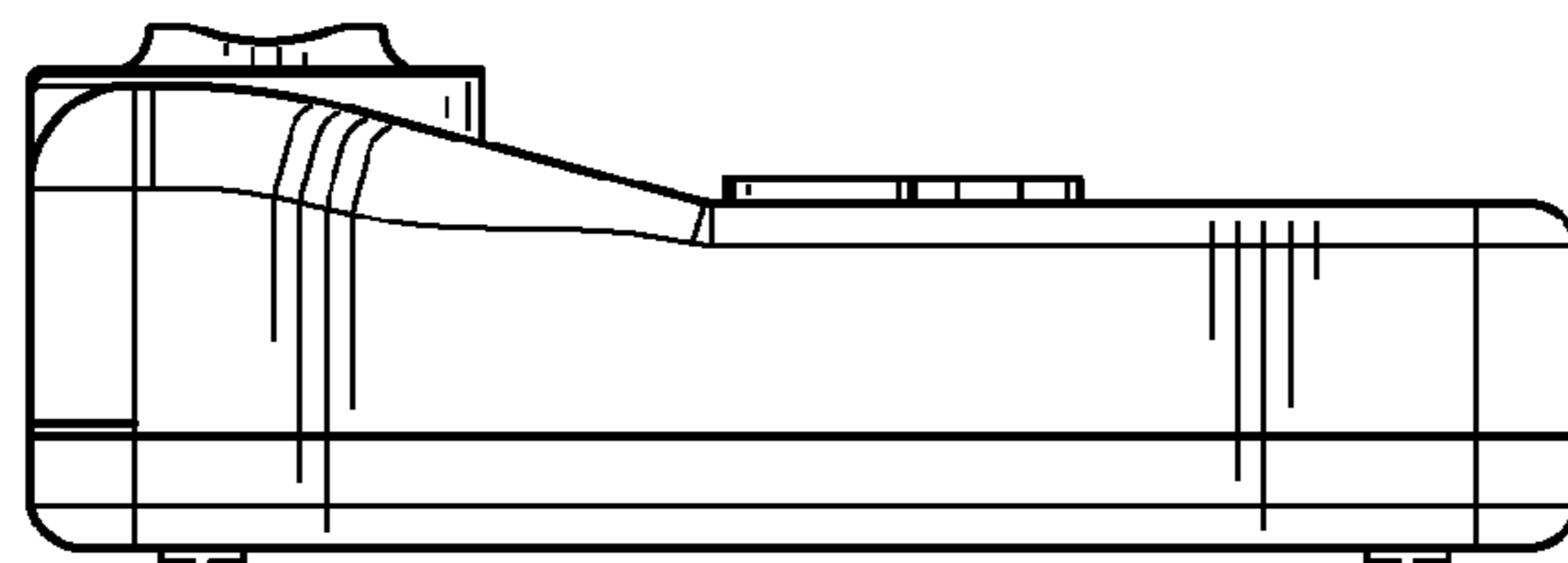


FIG. 5

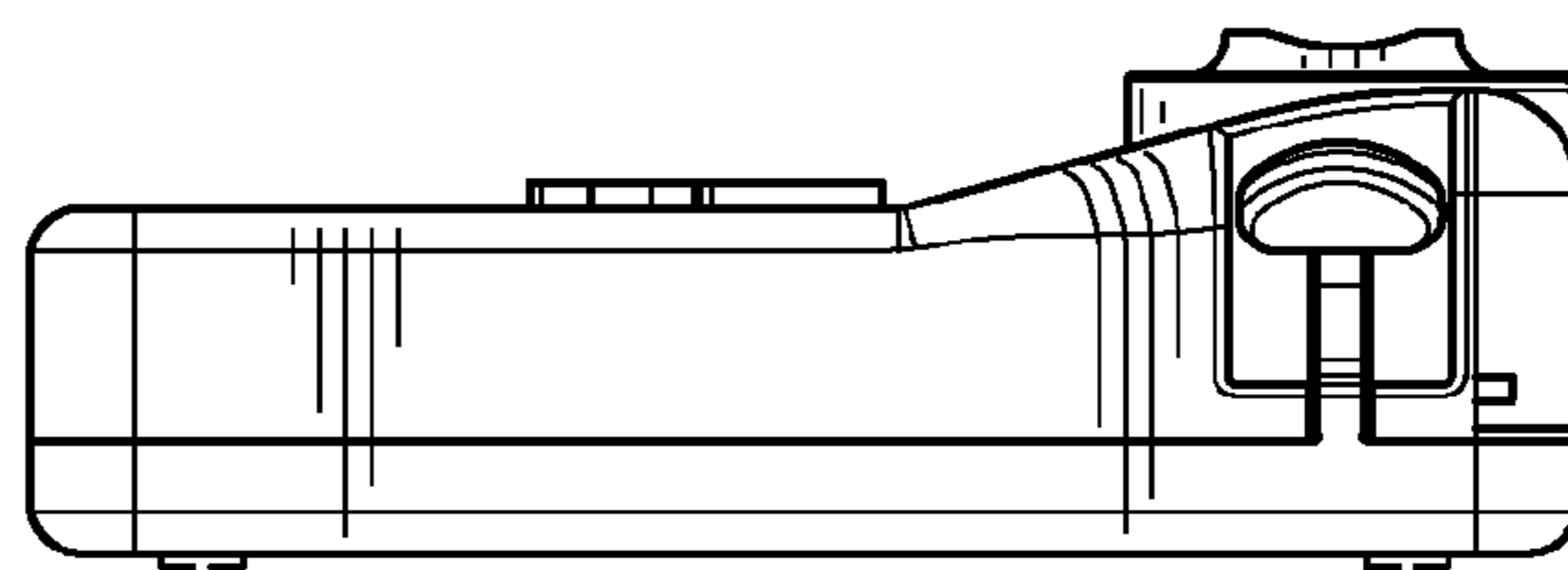


FIG. 6