



US00D685822S

(12) **United States Design Patent**
Elgin et al.

(10) **Patent No.:** **US D685,822 S**
(45) **Date of Patent:** **** Jul. 9, 2013**

- (54) **BLOWER ATTACHMENT FOR A WALK-BEHIND LAWN MOWER**
- (71) Applicant: **MTD Products Inc.**, Valley City, OH (US)
- (72) Inventors: **Doug Elgin**, Valley City, OH (US); **Jeff Jerousek**, Valley City, OH (US)
- (73) Assignee: **MTD Products Inc.**, Valley City, OH (US)

5,025,618 A *	6/1991	Braun	56/16.7
5,033,260 A	7/1991	Jerry	
5,090,088 A	2/1992	Toth	
5,195,311 A *	3/1993	Holland	56/320.2
5,398,491 A	3/1995	Hartley	
5,442,902 A *	8/1995	Mosley et al.	56/17.5
5,491,964 A *	2/1996	Butler	56/320.2
5,499,494 A *	3/1996	Boshell et al.	56/320.1
5,560,188 A	10/1996	Murakawa et al.	
5,713,420 A	2/1998	Roberts et al.	
5,826,416 A	10/1998	Sugden et al.	
6,038,843 A	3/2000	Sebben et al.	

(Continued)

(**) Term: **14 Years**

(21) Appl. No.: **29/441,365**

(22) Filed: **Jan. 4, 2013**

(51) **LOC (9) Cl.** **15-03**

(52) **U.S. Cl.**
USPC **D15/17**

(58) **Field of Classification Search**
USPC D15/14, 17, 28; 56/320.1, 202, 203,
56/320.2, 255, 17.1, 17.3, 17.5, 194
See application file for complete search history.

(56) **References Cited**

U.S. PATENT DOCUMENTS

3,373,514 A	3/1968	Forren	
D213,328 S *	2/1969	Smith et al.	D15/17
3,696,595 A *	10/1972	Dahl	56/16.9
3,726,069 A	4/1973	Cope	
D227,286 S *	6/1973	Thorud	D15/17
3,863,291 A	2/1975	Woelffer	
3,928,956 A	12/1975	Boyer	
RE29,139 E	2/1977	Messner	
4,203,276 A	5/1980	Plamper	
4,258,539 A	3/1981	Pearce et al.	
4,322,938 A *	4/1982	Efflandt	56/320.2
D285,690 S *	9/1986	Hoepfner et al.	D15/17
4,631,909 A *	12/1986	McLane	56/202
4,897,988 A	2/1990	Schweitz et al.	
D311,406 S	10/1990	Hoepfner	

FOREIGN PATENT DOCUMENTS

EP 0738462 10/1996

Primary Examiner — Mark Goodwin

(74) *Attorney, Agent, or Firm* — Wegman, Hessler & Vanderburg

(57) **CLAIM**

We claim the ornamental design for a blower attachment for a walk-behind mower, as shown and described.

DESCRIPTION

FIG. 1 is a top perspective view of a blower attachment for a walk-behind mower of the present invention shown in use condition;

FIG. 2 is an enlarged top perspective view of a blower attachment for a walk-behind mower of the present invention;

FIG. 3 is a first side view thereof;

FIG. 4 is a second side view thereof;

FIG. 5 is a top view thereof;

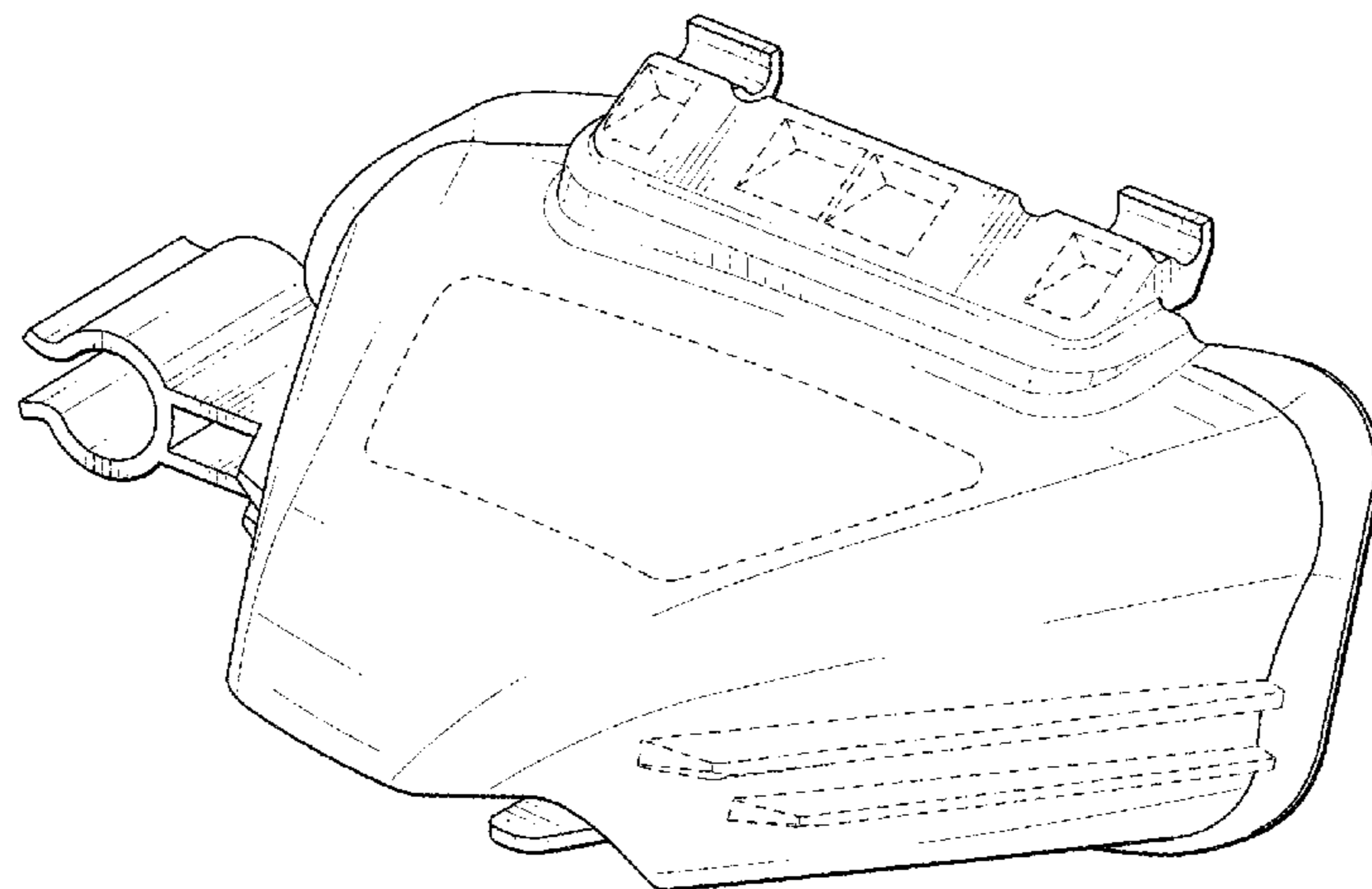
FIG. 6 is a bottom view thereof;

FIG. 7 is a front view thereof; and,

FIG. 8 is a rear view thereof.

The ornamental design which is claimed is shown in solid lines in the drawings. Any broken lines in the drawings are for illustrative purposes only and form no part of the claimed design.

1 Claim, 4 Drawing Sheets



US D685,822 S

Page 2

U.S. PATENT DOCUMENTS			
6,073,305	A	6/2000	Hesskamp
6,148,595	A *	11/2000	Rabe et al. 56/320.2
6,370,855	B1	4/2002	Evans et al.
6,941,739	B1	9/2005	Gliser
7,051,504	B2 *	5/2006	Osborne 56/320.2
7,069,712	B2	7/2006	Bauer et al.
D556,788	S *	12/2007	Bucher et al. D15/17
7,328,566	B2 *	2/2008	Kallevig 56/320.2
D564,543	S *	3/2008	Bucher et al. D15/17
D565,604	S *	4/2008	Bucher et al. D15/17
7,448,195	B2	11/2008	Kohler
7,624,562	B2	12/2009	Kallevig et al.
7,726,110	B2 *	6/2010	Nicholson 56/320.2
7,866,135	B2 *	1/2011	Davis et al. 56/320.2
8,015,785	B2 *	9/2011	Walker et al. 56/320.2
8,104,255	B1 *	1/2012	Hurst et al. 56/320.2
8,251,606	B2	8/2012	Blanchard
2011/0011046	A1	1/2011	Byard

* cited by examiner

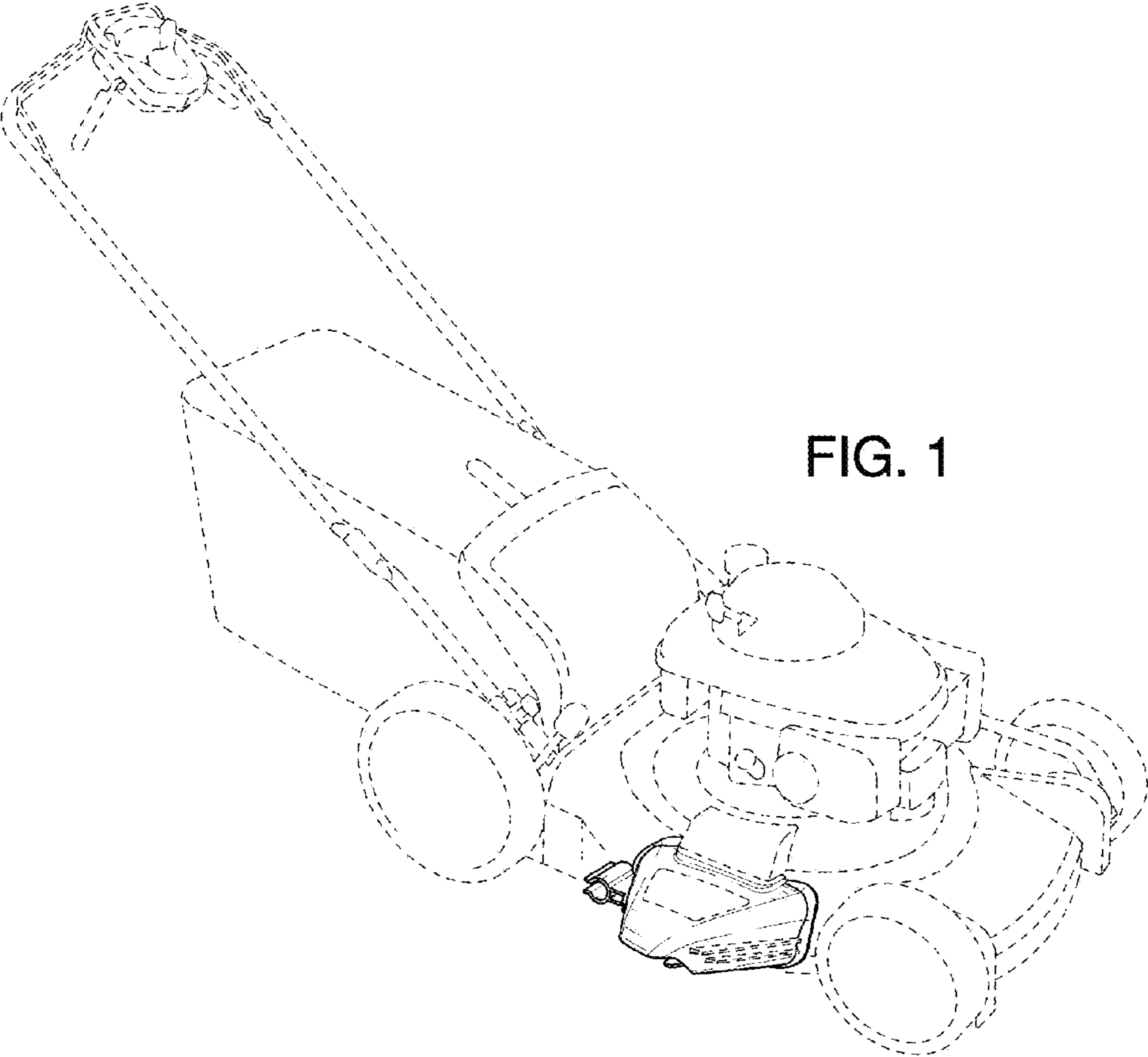


FIG. 1

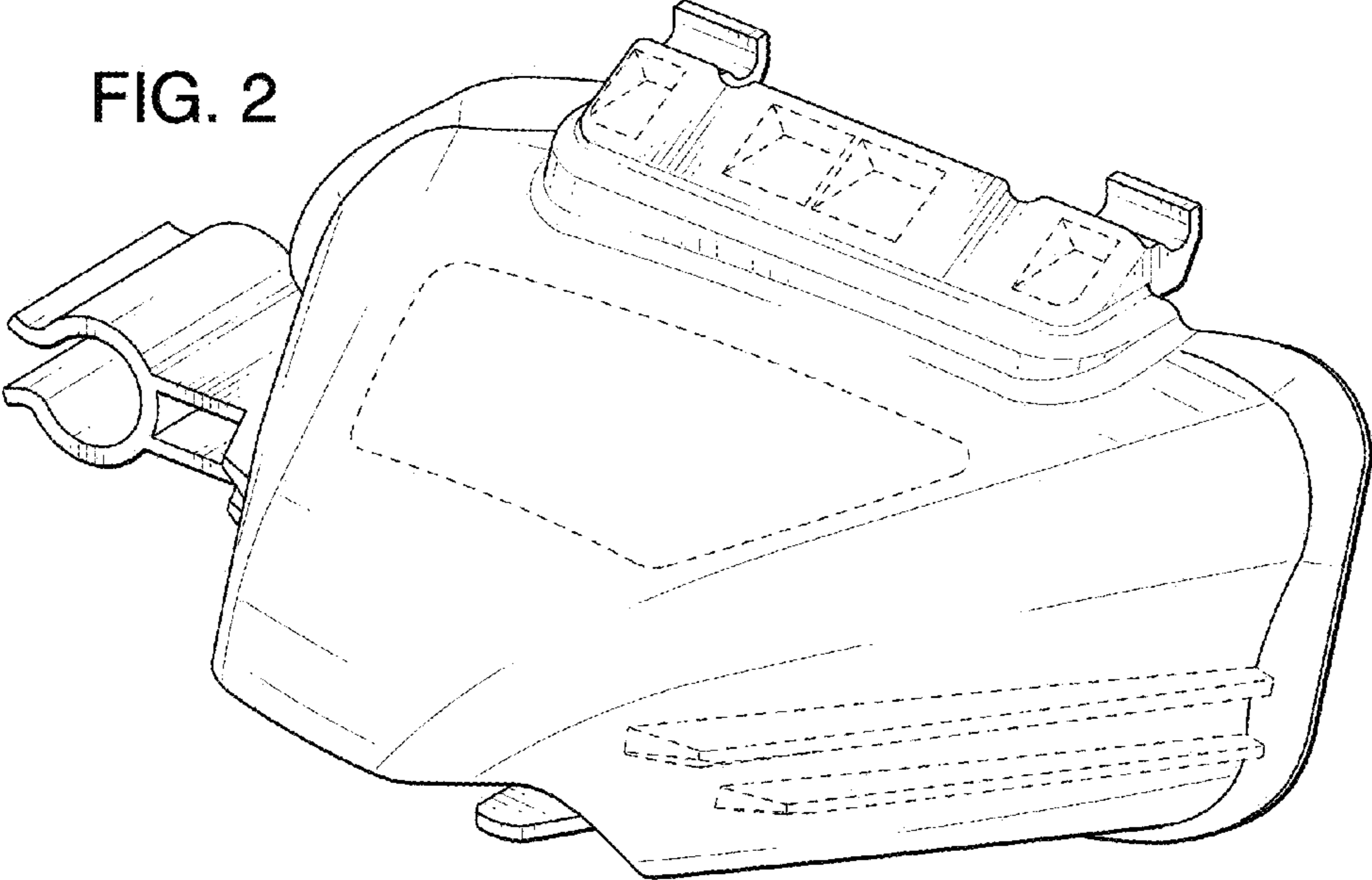
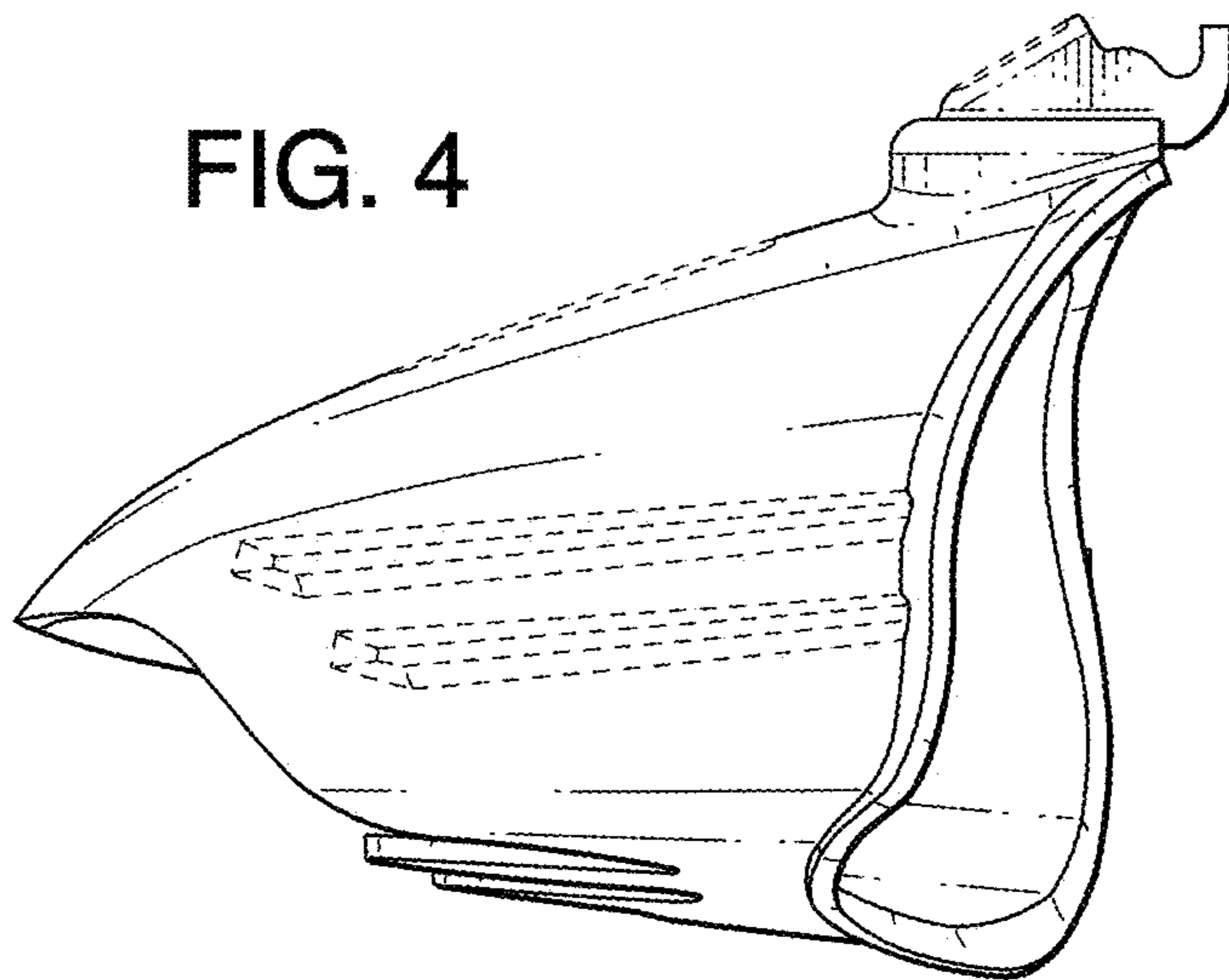
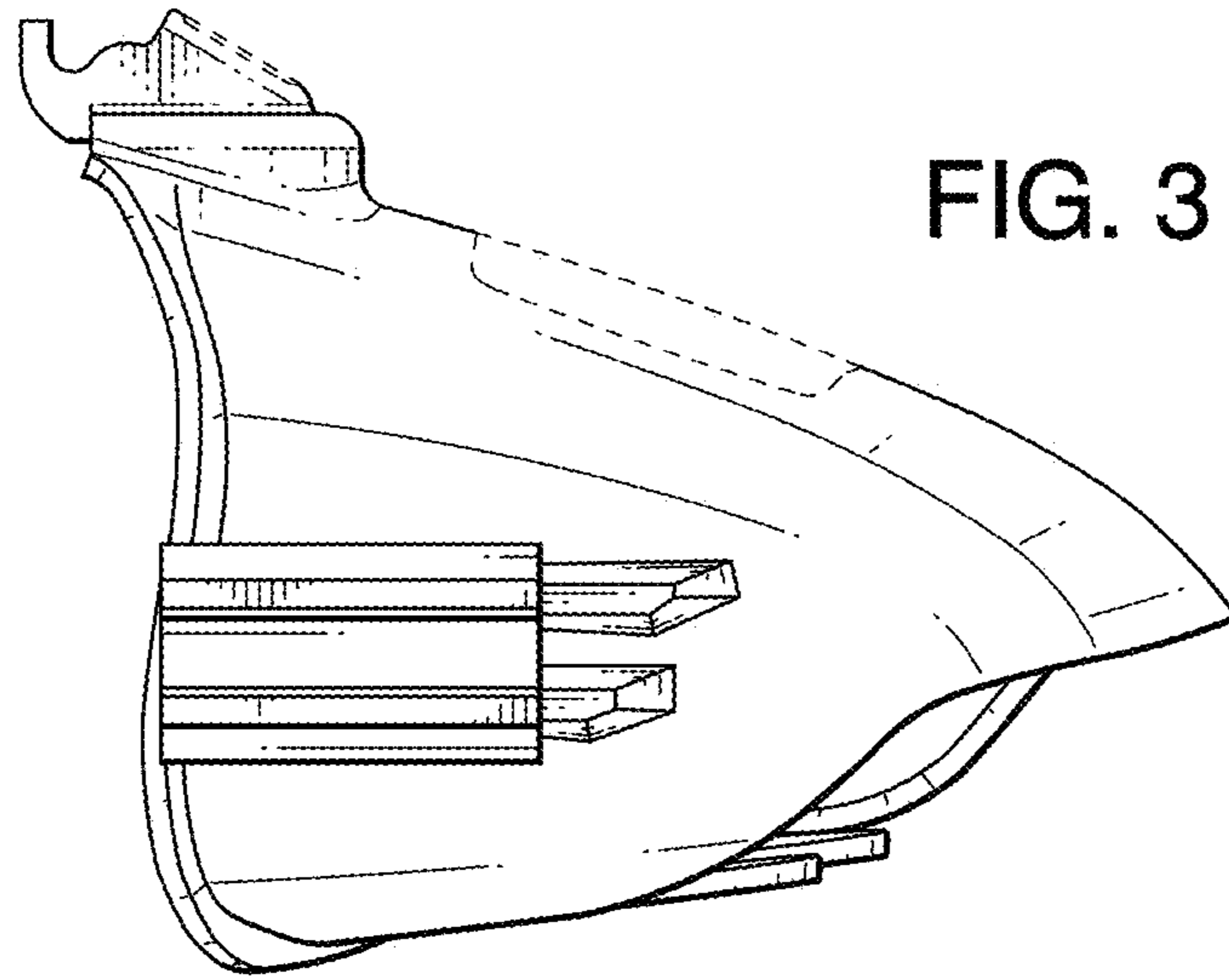


FIG. 2



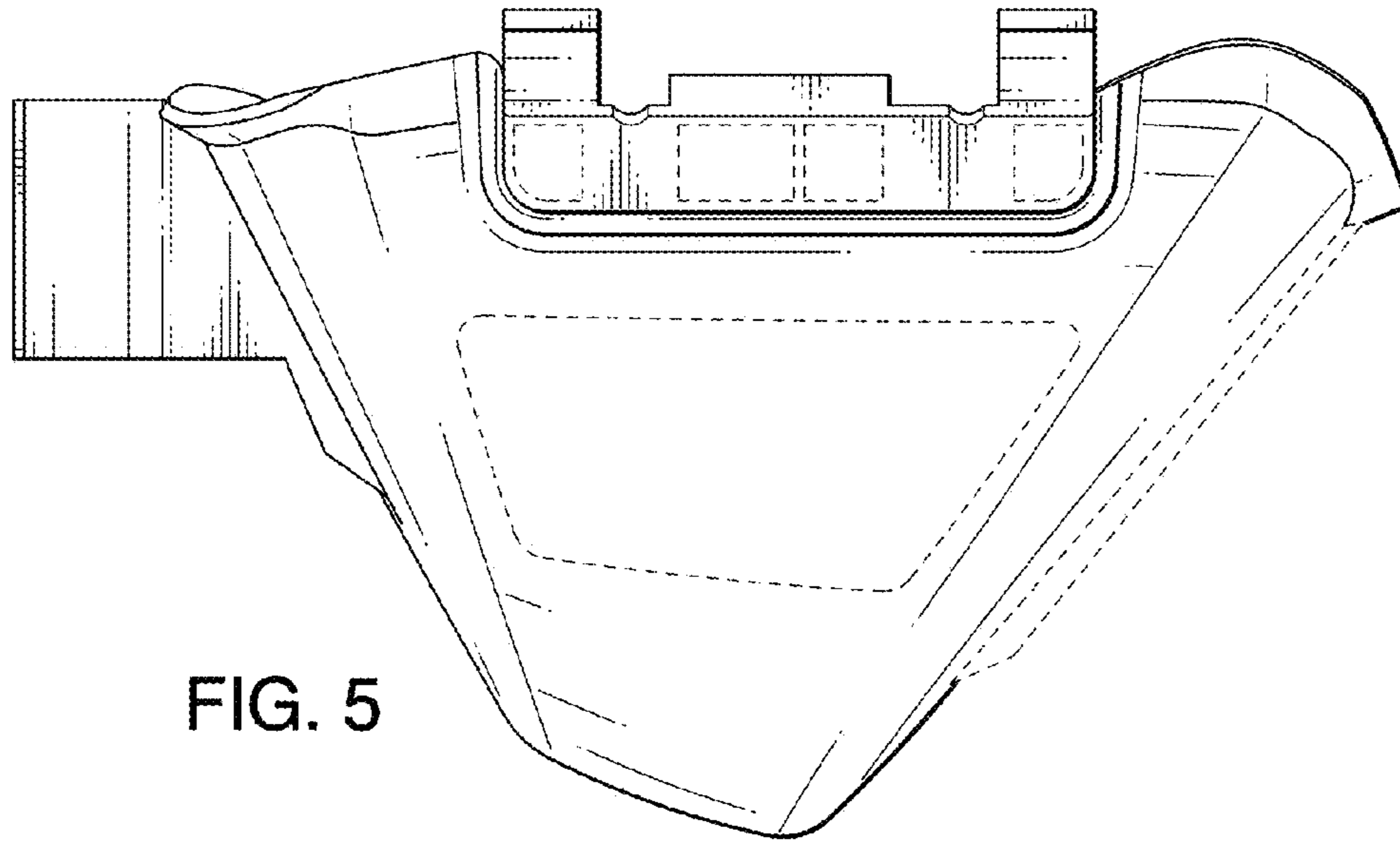


FIG. 5

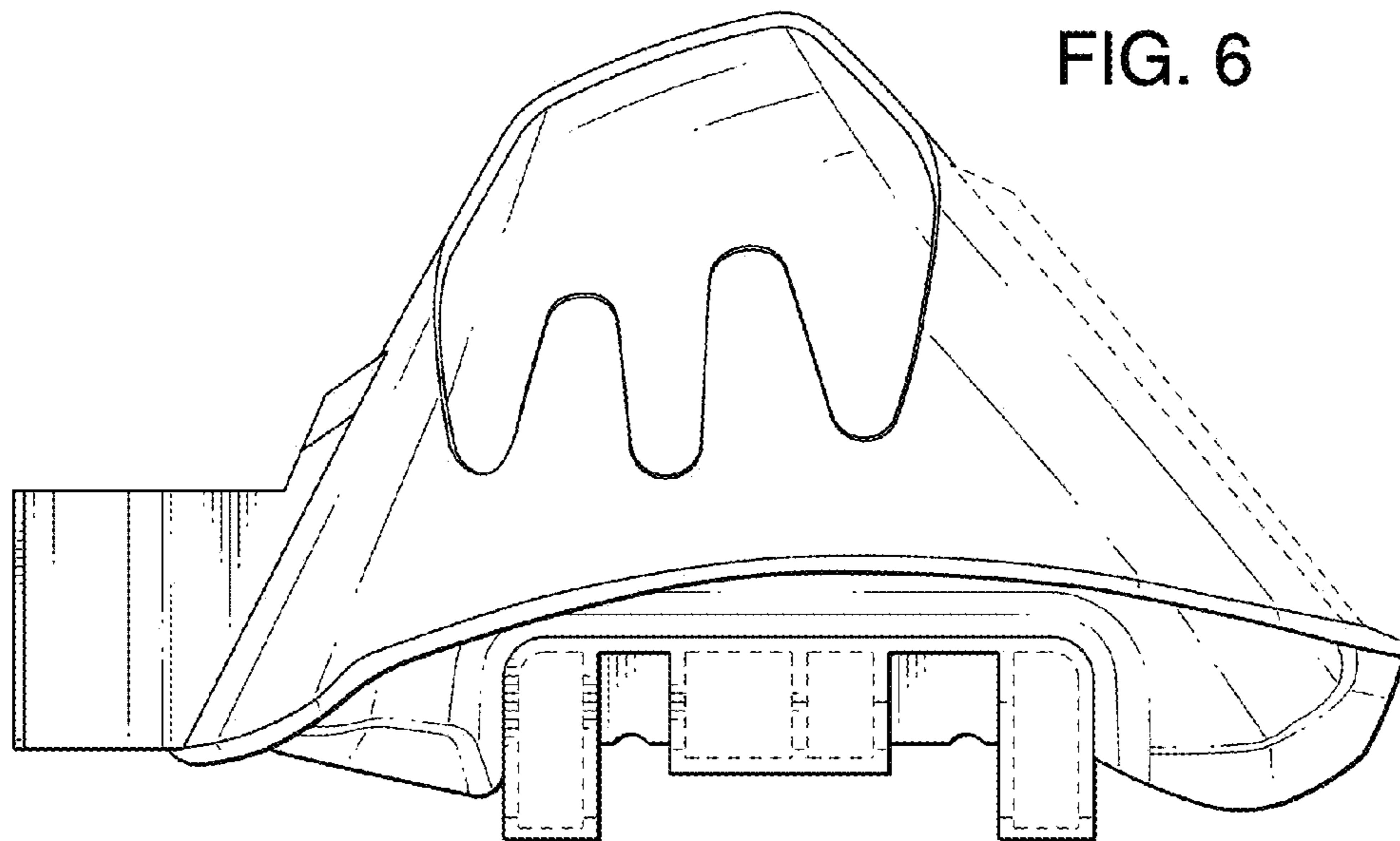


FIG. 6

FIG. 7

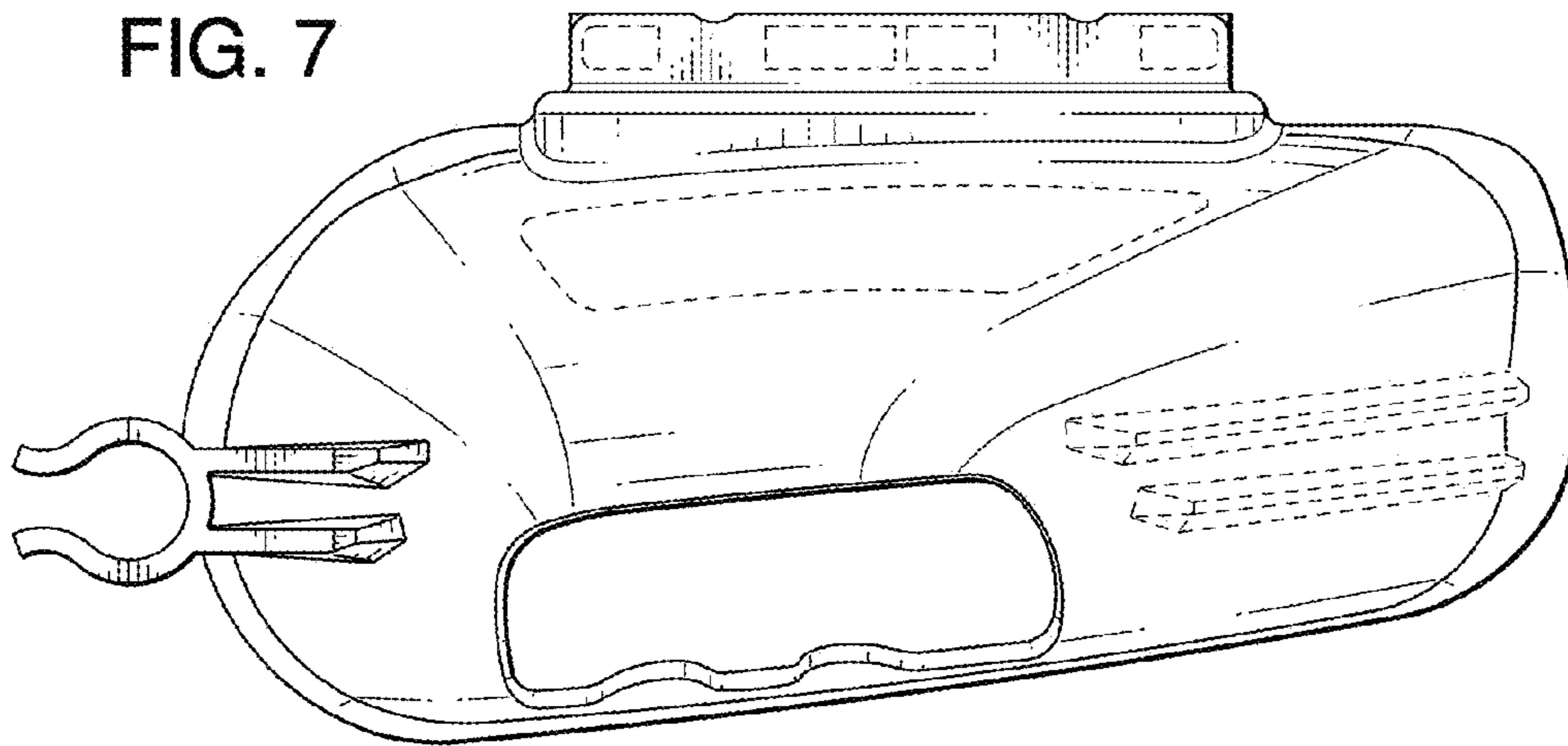


FIG. 8

