



US00D685820S

(12) **United States Design Patent**
Okuda et al.

(10) **Patent No.:** **US D685,820 S**
(45) **Date of Patent:** **** Jul. 9, 2013**

(54) **INTERNAL COMBUSTION ENGINE**

(75) Inventors: **Mitsugu Okuda**, Sakai (JP); **Toshio Nakahira**, Sakai (JP); **Takashi Onishi**, Sakai (JP); **Yuichi Tamaki**, Sakai (JP)

(73) Assignee: **Kubota Corporation**, Osaka (JP)

(**) Term: **14 Years**

(21) Appl. No.: **29/411,964**

(22) Filed: **Jan. 27, 2012**

(30) **Foreign Application Priority Data**

Jul. 29, 2011 (JP) 2011-017463

(51) **LOC (9) Cl.** **15-01**

(52) **U.S. Cl.**
USPC **D15/3**

(58) **Field of Classification Search**
USPC D15/1, 2, 3, 5, 6, 14, 17, 149; 123/22,
123/41.34, 51 A, 606 R, 52.1, 50 A, 50 B,
123/54.1, 54.2, 54.4, 54.5, 65 R, 195 R,
123/195 HC, 657, 311
See application file for complete search history.

(56) **References Cited**

U.S. PATENT DOCUMENTS

D224,169 S * 7/1972 Rudd D15/1
D482,045 S * 11/2003 Iwata et al. D15/1

D610,164 S * 2/2010 Takahata et al. D15/1
D665,425 S * 8/2012 Genter et al. D15/3
2012/0125283 A1* 5/2012 Russo et al. 123/195 C

FOREIGN PATENT DOCUMENTS

JP 2003104071 A 4/2003
JP D1402883 S 12/2010
JP D1404045 S 12/2010

* cited by examiner

Primary Examiner — T. Chase Nelson

Assistant Examiner — Ania Aman

(74) *Attorney, Agent, or Firm* — The Webb Law Firm

(57) **CLAIM**

The ornamental design for a internal combustion engine, as shown and described.

DESCRIPTION

FIG. 1 is a front view of a internal combustion engine showing our new design;

FIG. 2 is a rear view thereof;

FIG. 3 is a left side view thereof;

FIG. 4 is a right side view thereof;

FIG. 5 is a top view thereof;

FIG. 6 is a bottom view thereof;

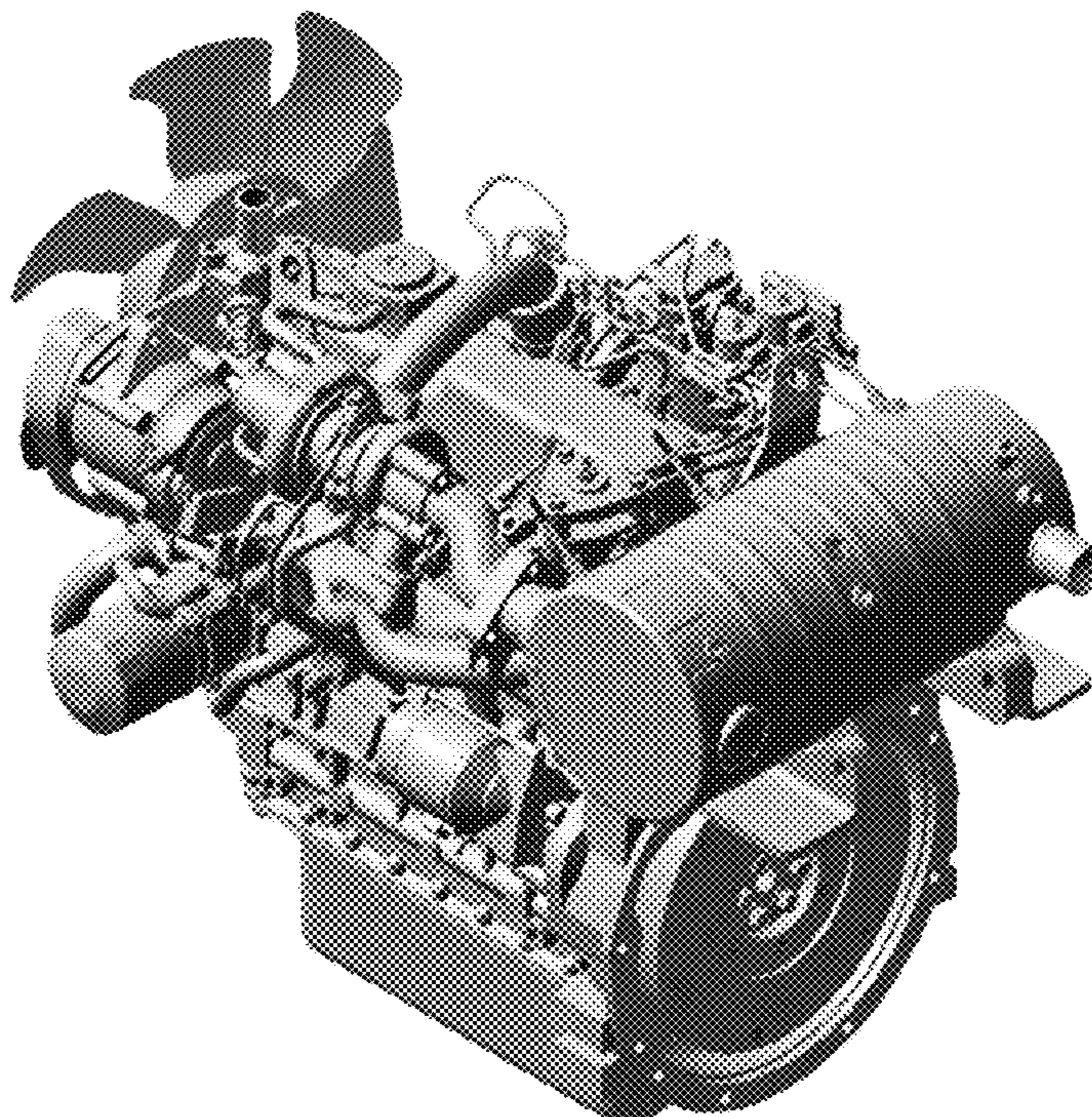
FIG. 7 is an upper front right perspective view thereof;

FIG. 8 is an upper rear right perspective view thereof;

FIG. 9 is an upper rear left perspective view thereof; and,

FIG. 10 is an upper front left perspective view thereof.

1 Claim, 10 Drawing Sheets



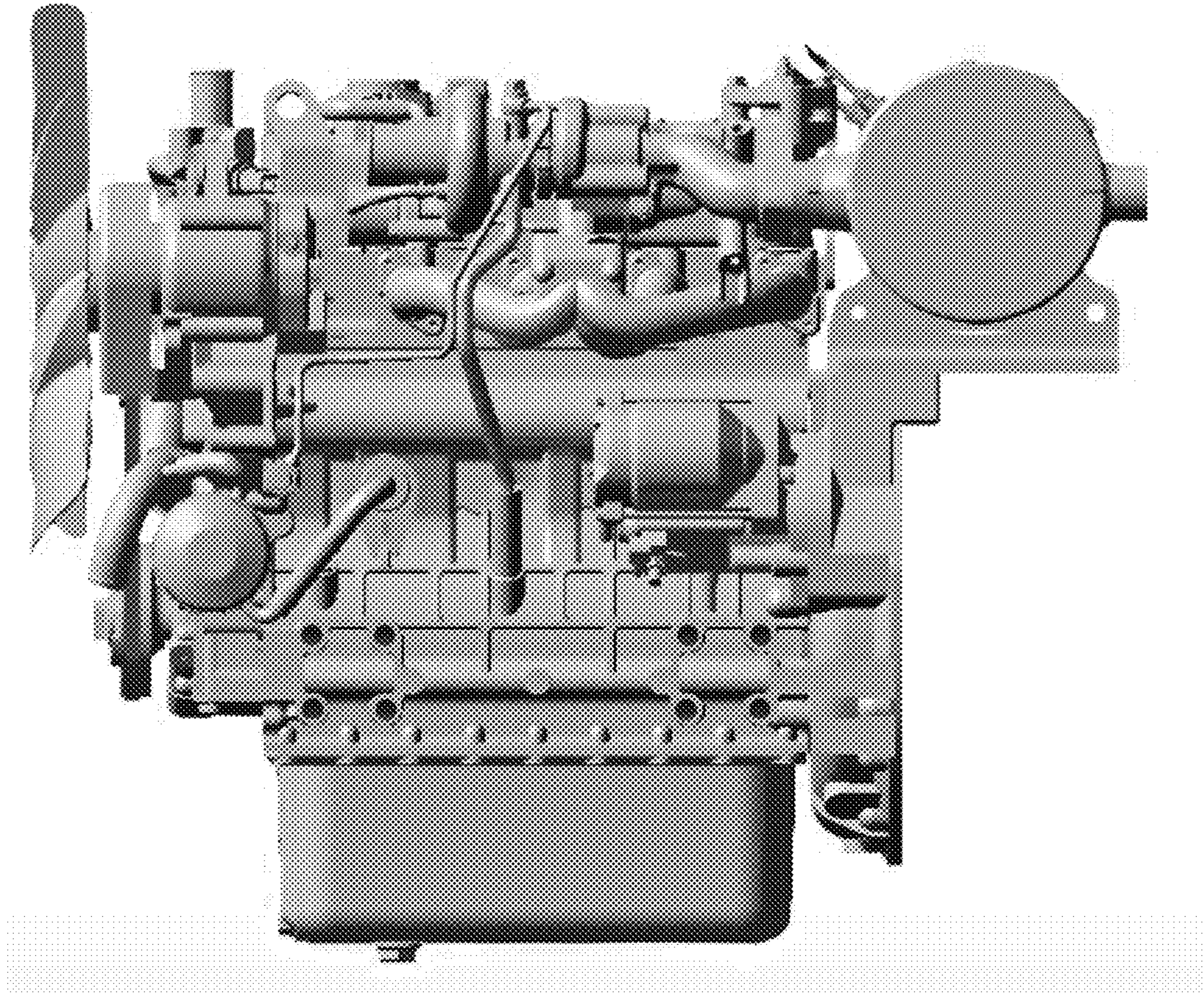


FIG. 1

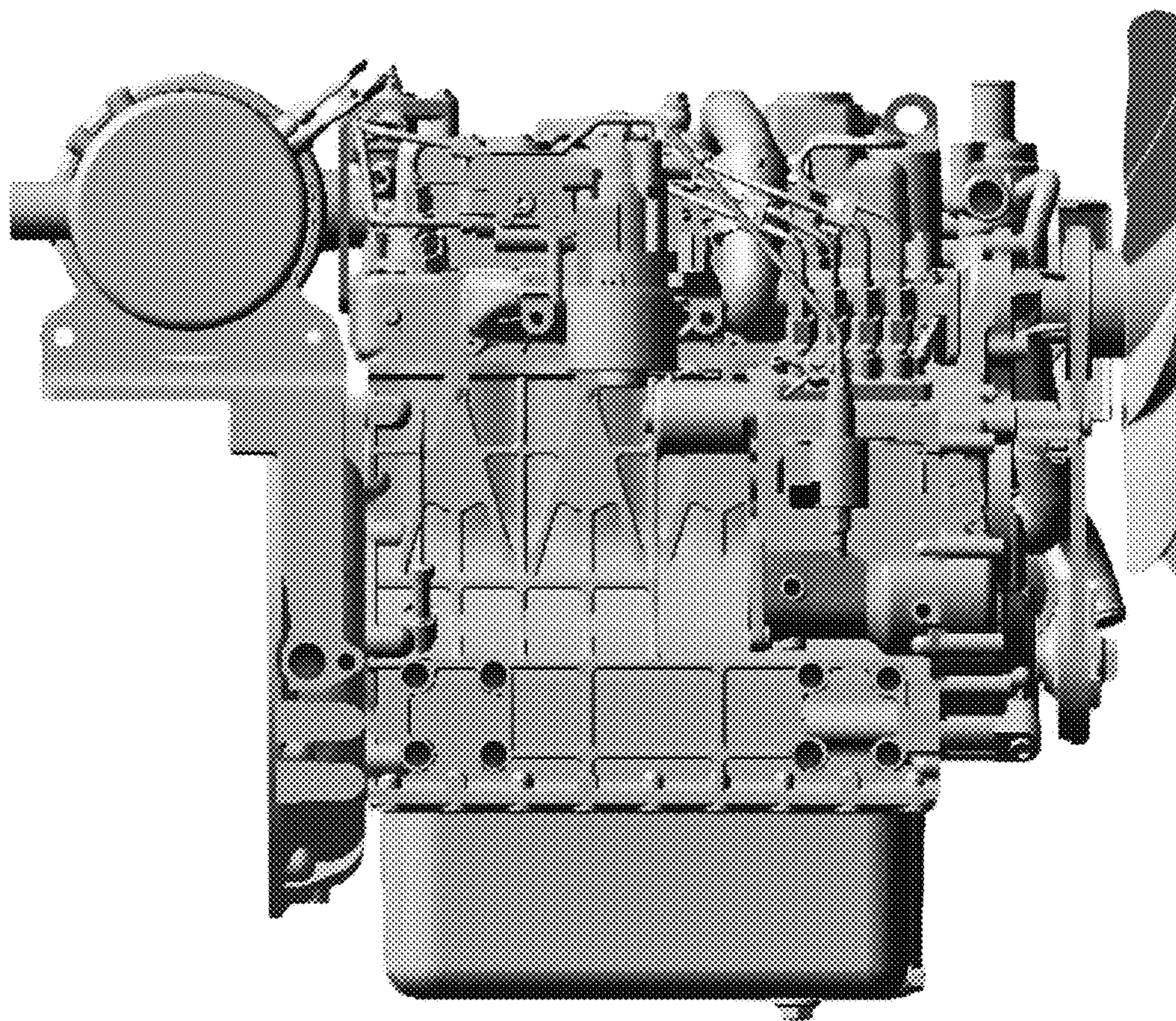


FIG. 2

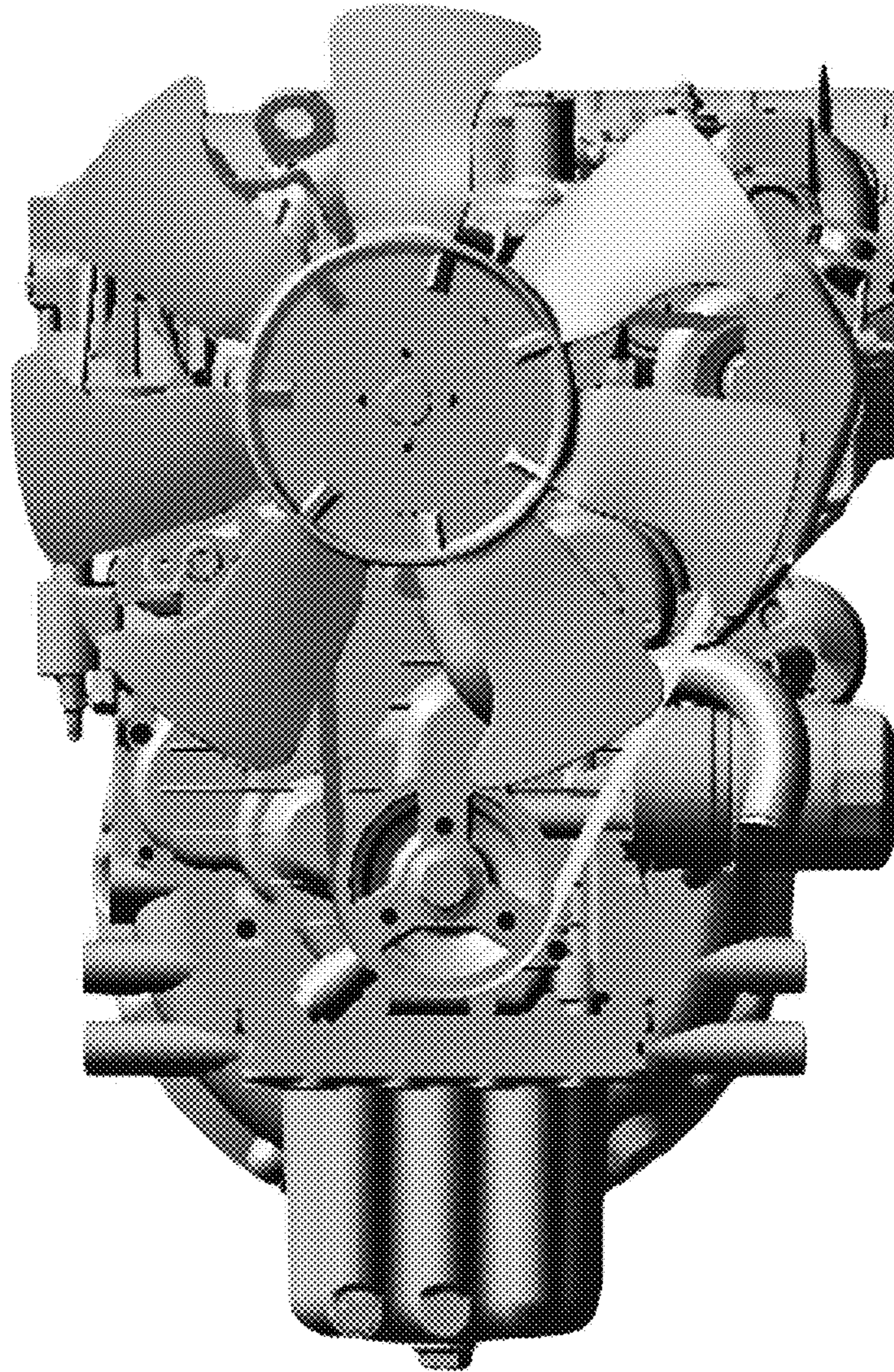


FIG. 3

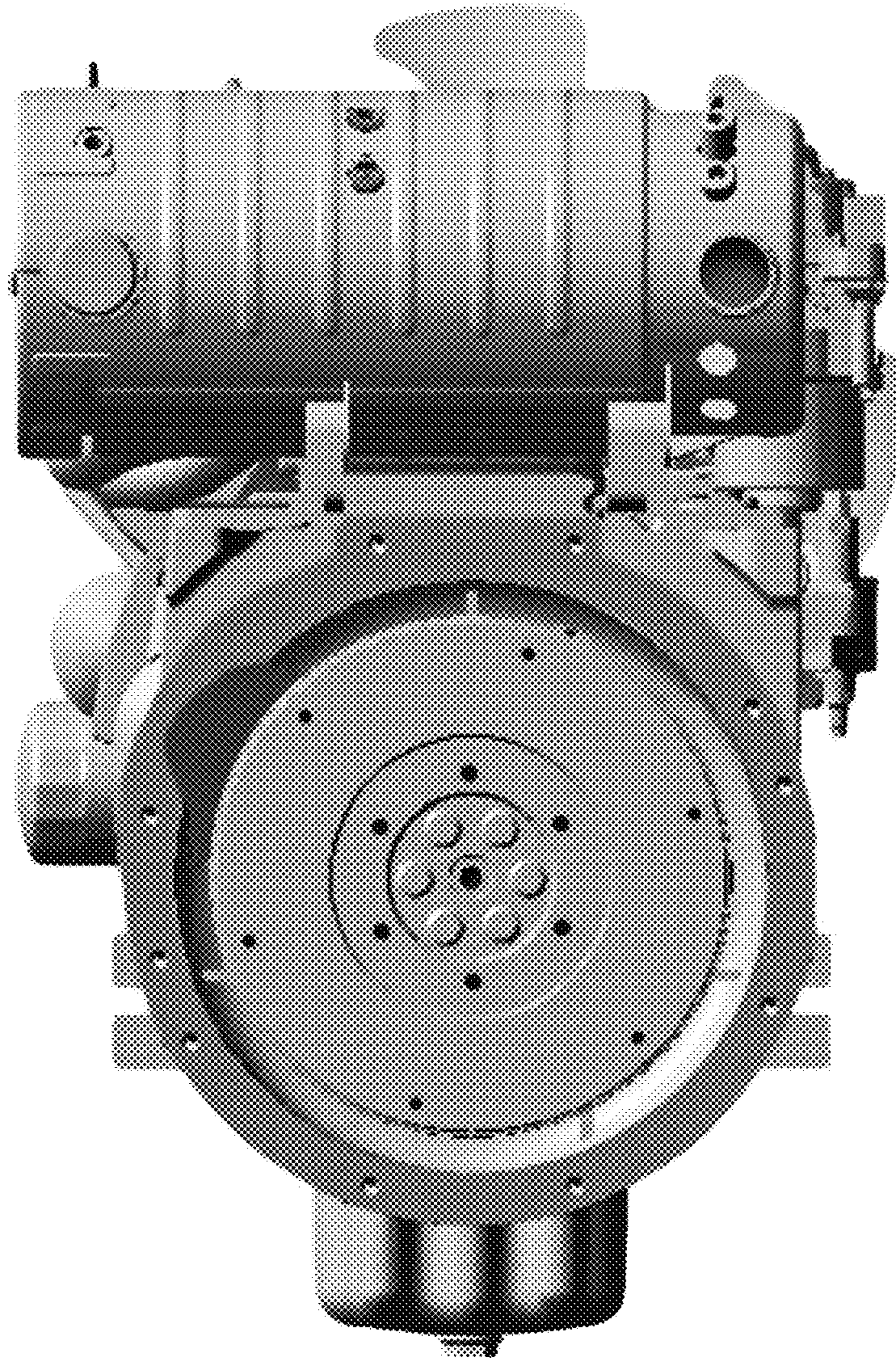


FIG. 4

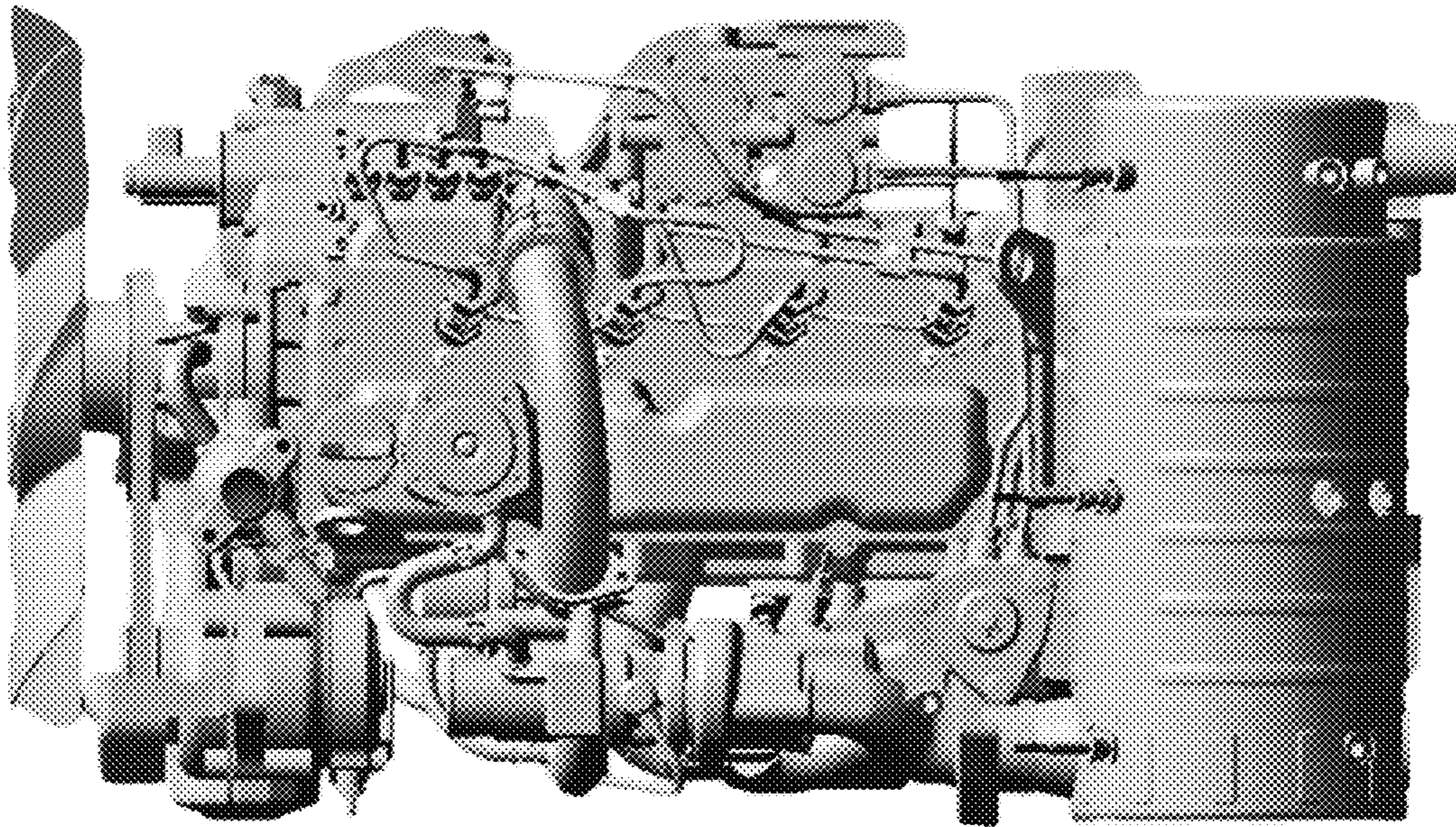


FIG. 5

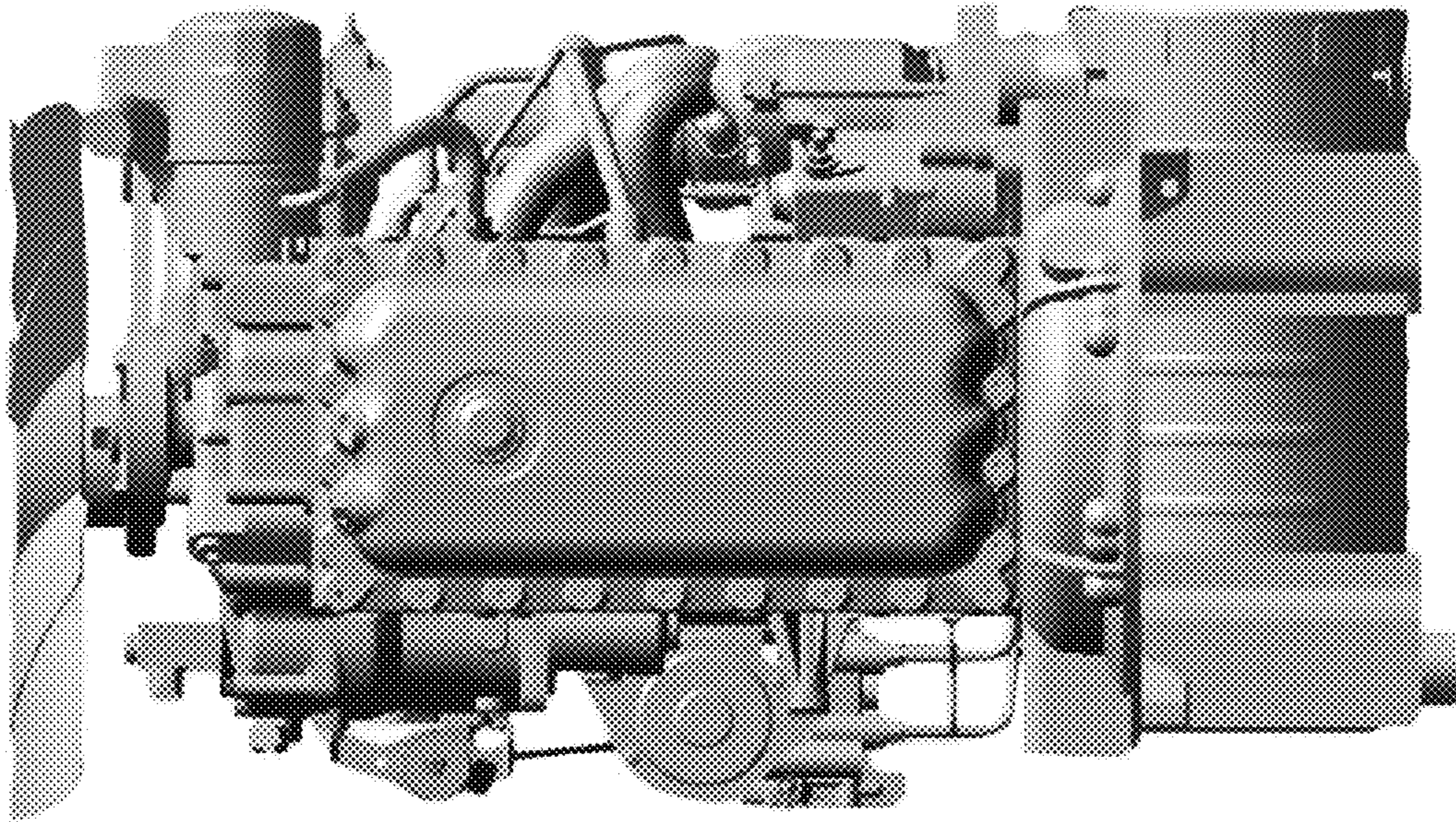


FIG. 6

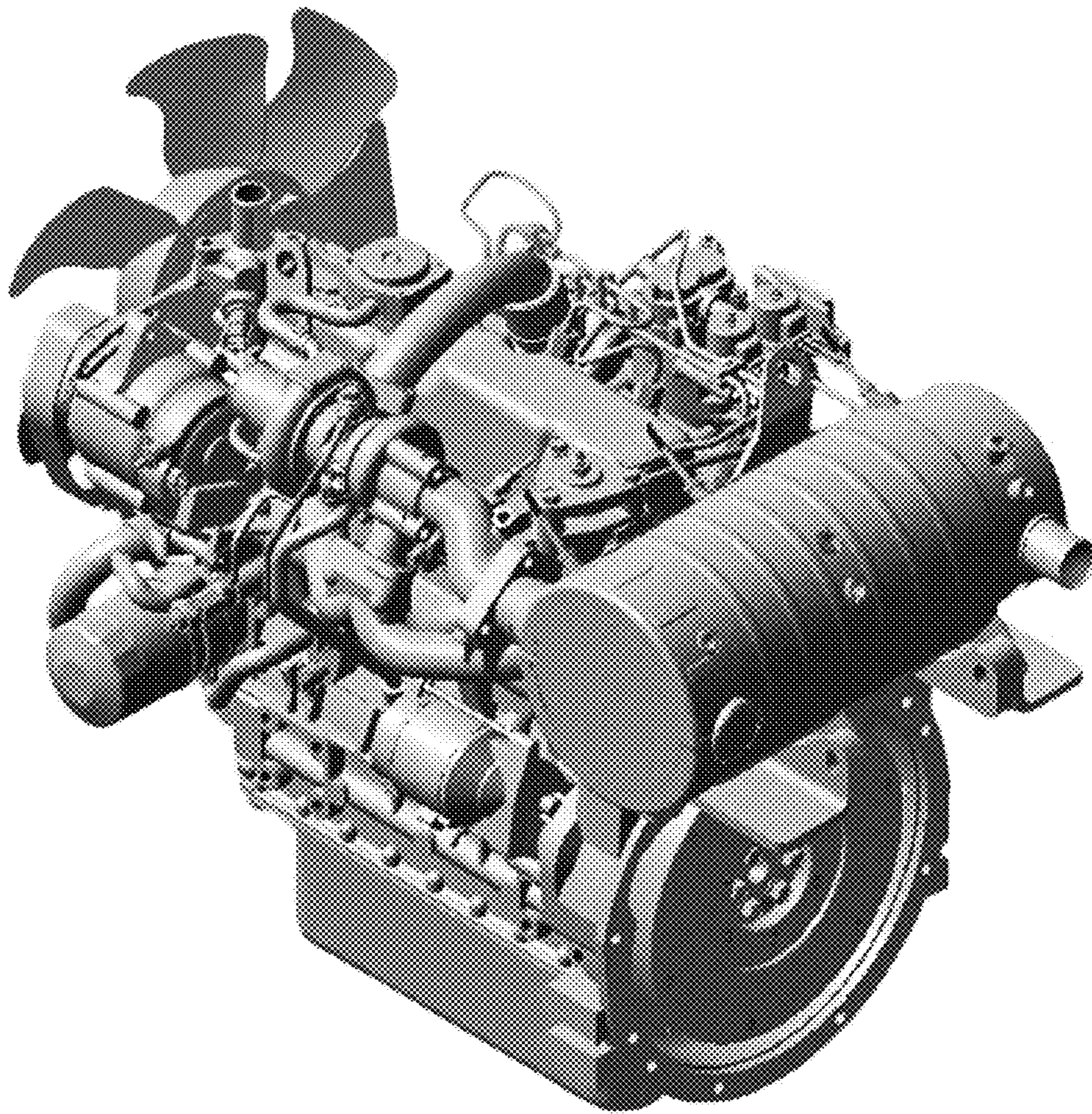


FIG. 7

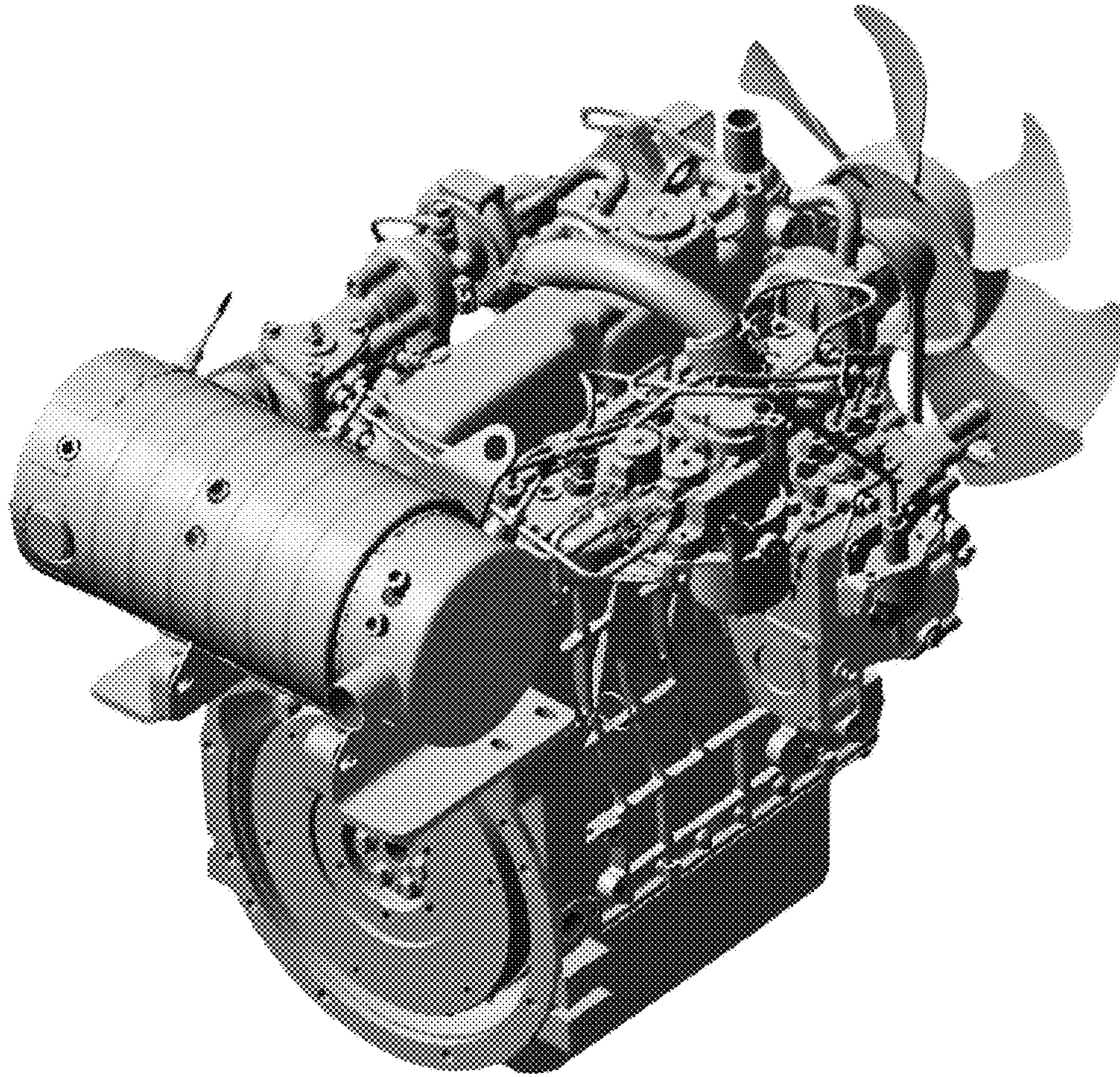


FIG. 8

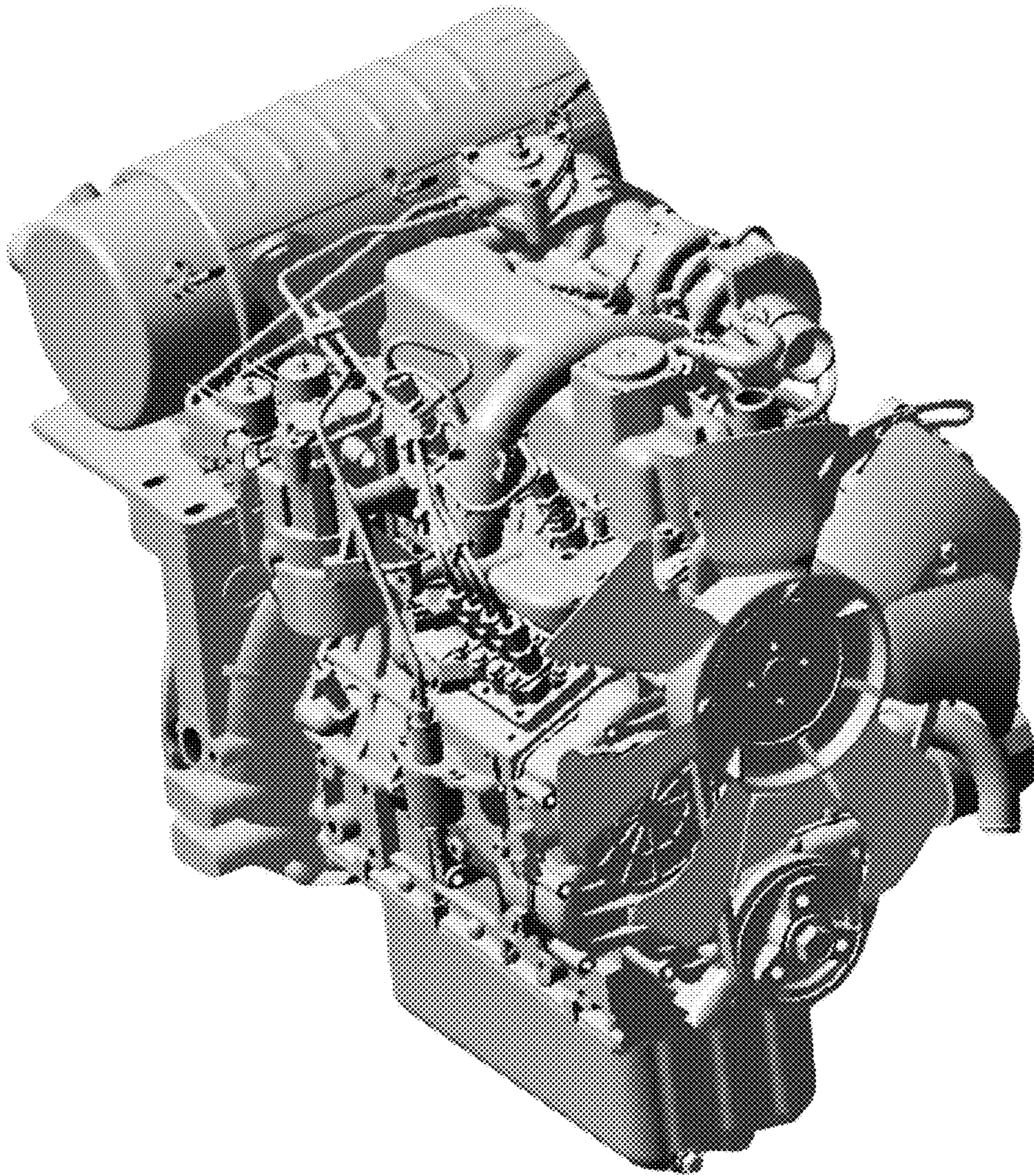


FIG. 9

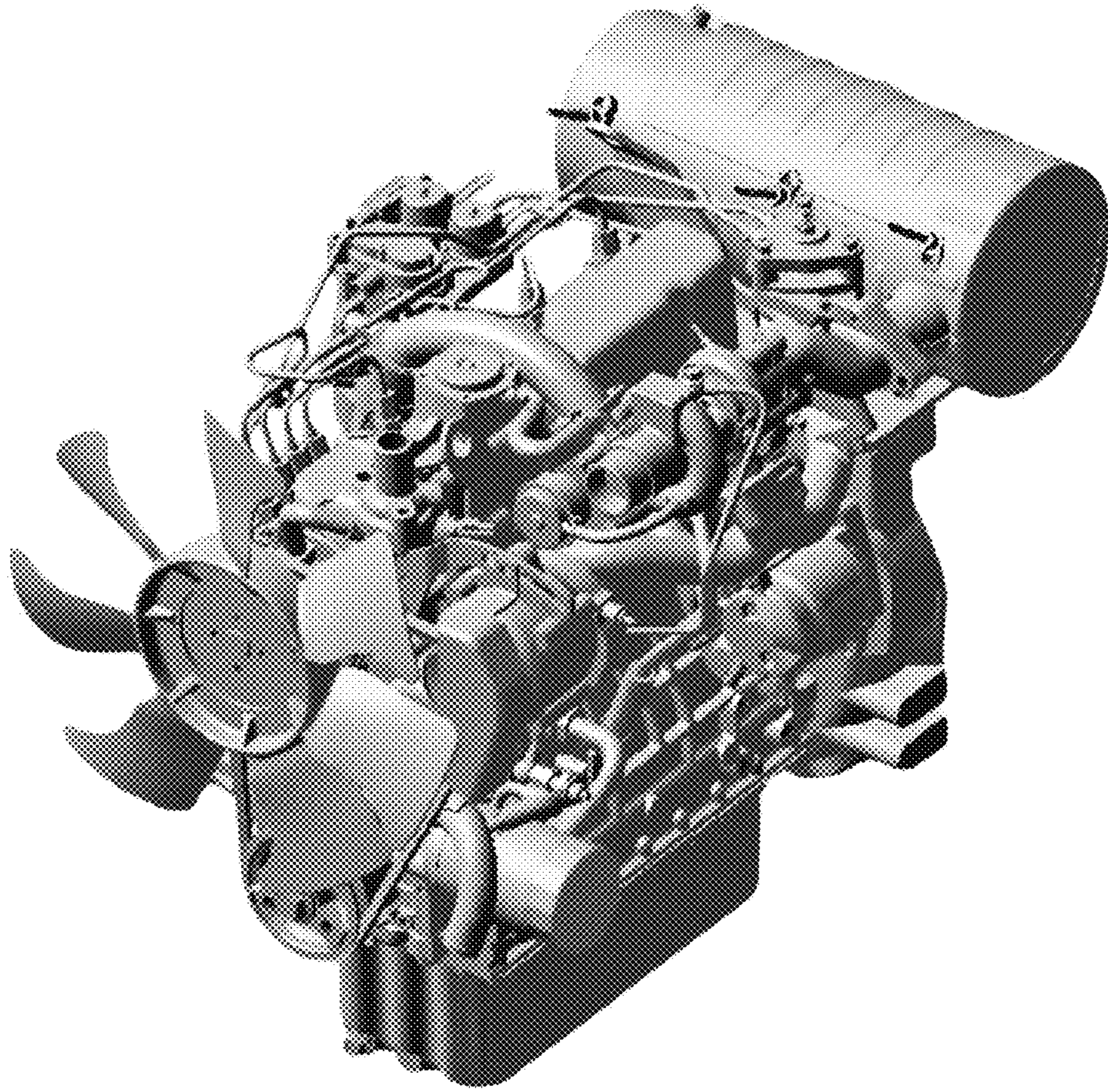


FIG. 10