



US00D685808S

(12) **United States Design Patent**
Billington

(10) **Patent No.:** **US D685,808 S**

(45) **Date of Patent:** **** Jul. 9, 2013**

(54) **USB MEMORY DEVICE**

(75) **Inventor:** **Charles Billington**, London (GB)

(73) **Assignee:** **Groundhog S.A.**, Luxembourg (LU)

(**) **Term:** **14 Years**

(21) **Appl. No.:** **29/430,285**

(22) **Filed:** **Aug. 23, 2012**

(30) **Foreign Application Priority Data**

Mar. 5, 2012 (EM) 002003053-0001

(51) **LOC (9) Cl.** **14-02**

(52) **U.S. Cl.**
USPC **D14/480.6**

(58) **Field of Classification Search**
USPC D14/411, 433, 435.1, 436, 480.1–480.7,
D14/484.1, 137, 155, 203.1–203.8, 240;
D13/133, 154; 361/679.31, 679.33, 679.4,
361/752; 439/131, 135–147; 710/300, 301;
711/100, 115

See application file for complete search history.

(56) **References Cited**

U.S. PATENT DOCUMENTS

D448,006 S * 9/2001 Lee D13/133
D523,015 S * 6/2006 Loftus D14/480.1
D556,751 S * 12/2007 Rambosek et al. D14/480.6
D581,926 S * 12/2008 Kim D14/480.6
D594,871 S * 6/2009 Ma D14/480.6
7,544,073 B2 * 6/2009 Nguyen et al. 439/135

D610,157 S * 2/2010 Ma D14/480.6
7,740,494 B2 * 6/2010 Lin et al. 439/131
D620,016 S * 7/2010 Lo D14/480.6
D622,278 S * 8/2010 Ma D14/480.6
D623,192 S * 9/2010 Peng D14/480.6
D638,001 S * 5/2011 Nakhjiri et al. D14/242
D643,847 S * 8/2011 Boucard D14/480.7
8,125,774 B2 * 2/2012 Kelley et al. 361/679.31
D675,217 S * 1/2013 Lee D14/480.6
2007/0063249 A1 * 3/2007 Rambosek et al. 257/315
2008/0019090 A1 * 1/2008 Zhu et al. 361/684

* cited by examiner

Primary Examiner — Karen E Kearney

(74) *Attorney, Agent, or Firm* — Douglas L. Weller

(57) **CLAIM**

The ornamental design for a USB memory device, as shown and described.

DESCRIPTION

FIG. 1 is a top front right perspective view of the USB memory device.

FIG. 2 is a top plan view of the USB memory device, the bottom being a mirror image of the top.

FIG. 3 is a rear elevational view of the USB memory device.

FIG. 4 is a right side elevational view of the USB memory device, the left being a mirror image of the right.

FIG. 5 is a front elevational view of the USB memory device.

FIG. 6 is a top plan view of the USB memory device where the cover is rotated exposing the USB connector; and,

FIG. 7 is a top front right perspective view of the USB memory device where the cover is rotated exposing the USB connector.

1 Claim, 1 Drawing Sheet

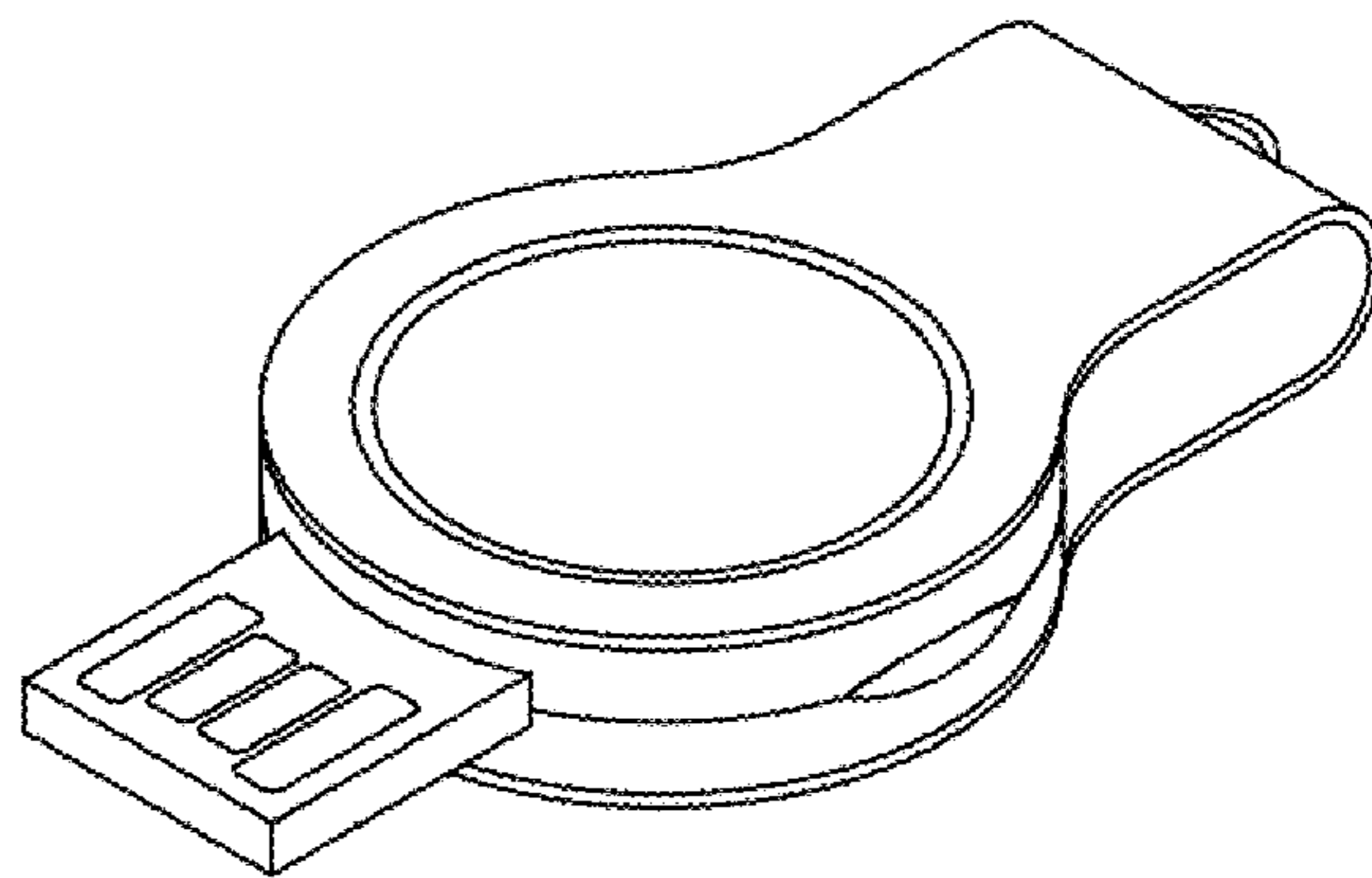
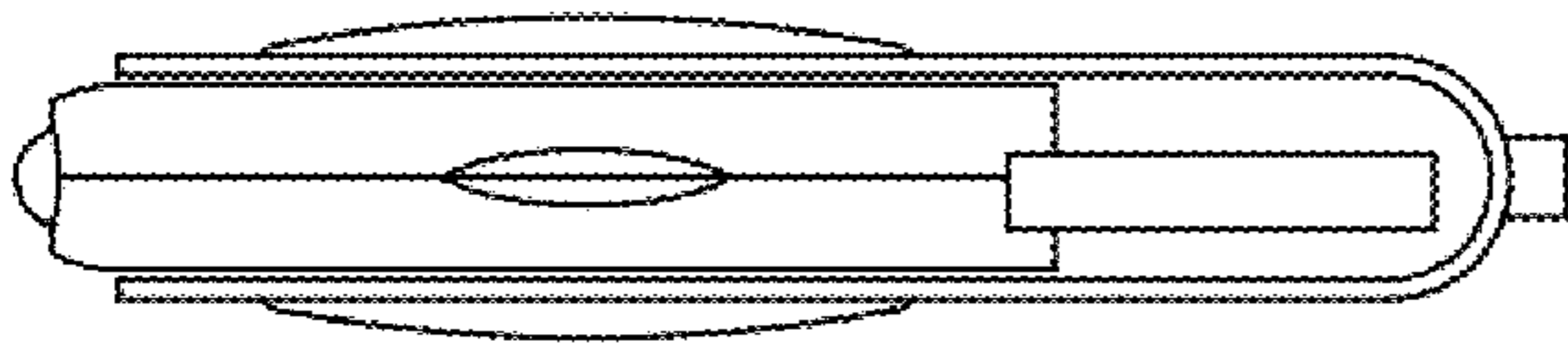


FIG.1

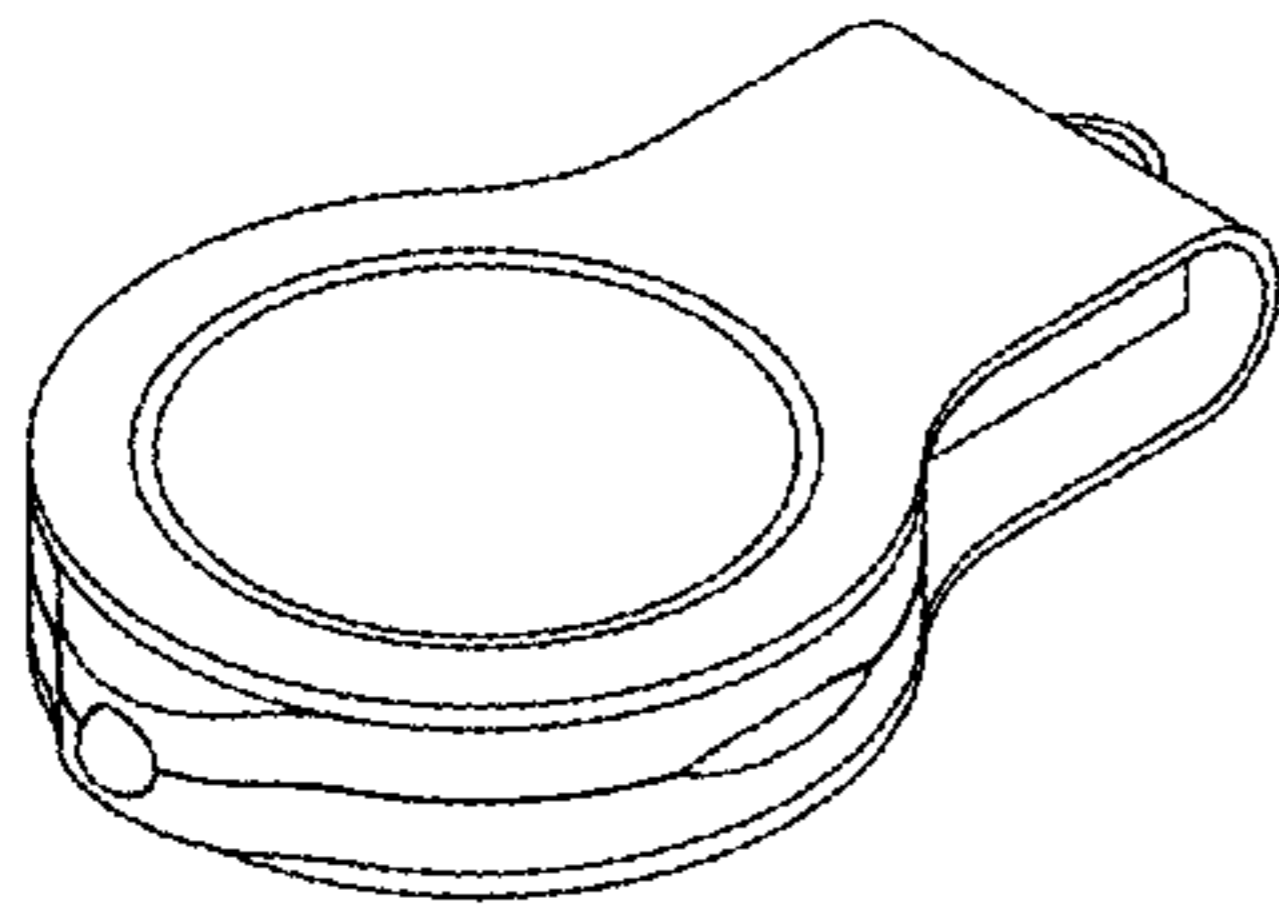


FIG.2

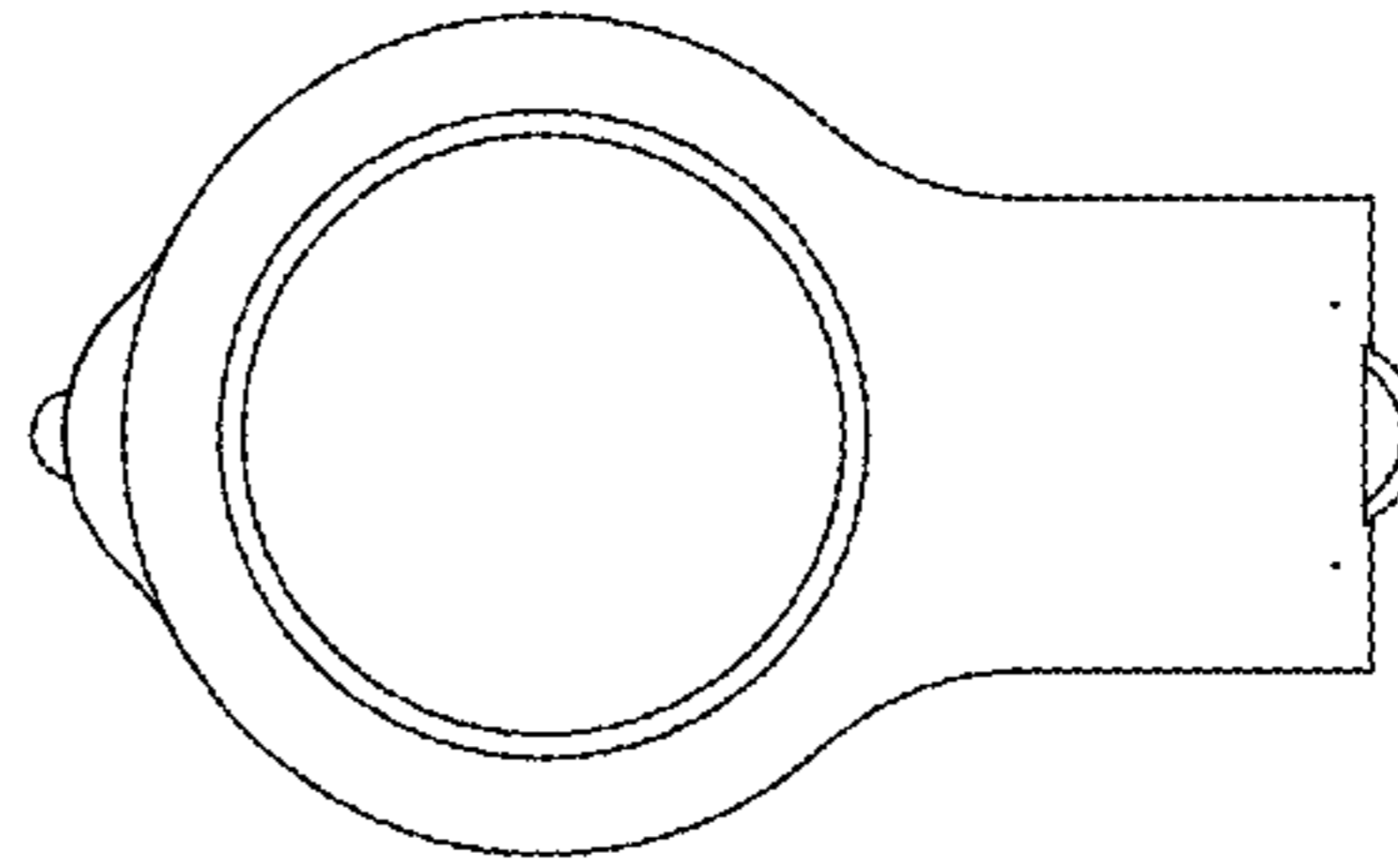


FIG.3

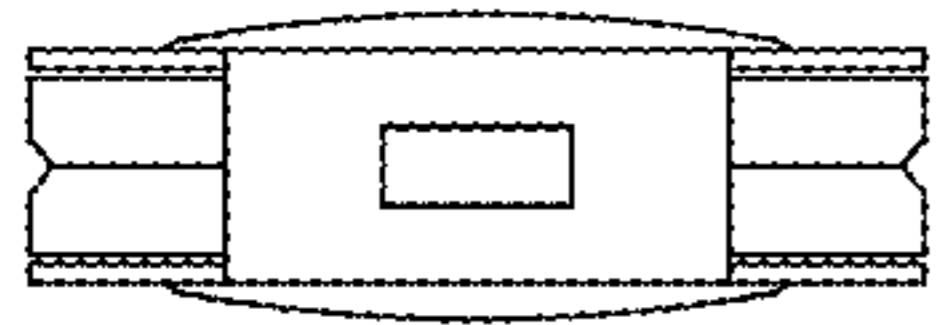


FIG.4

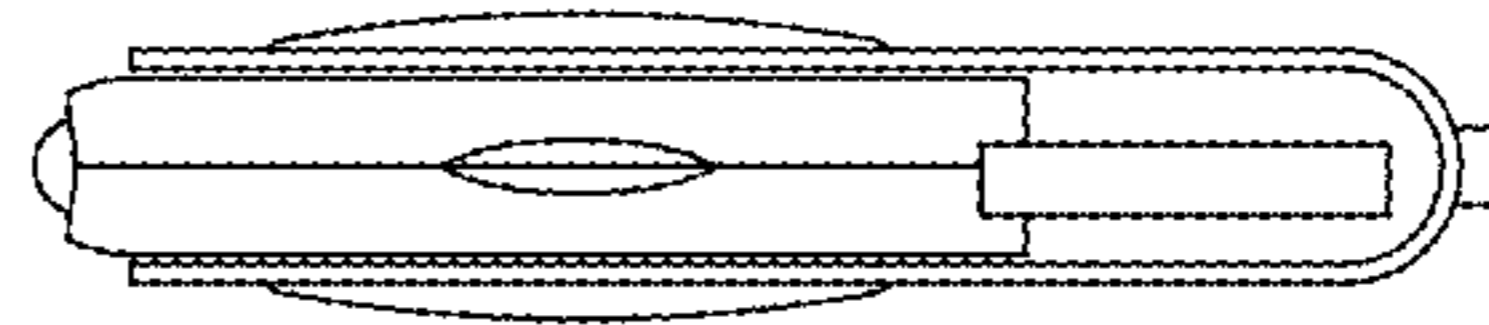


FIG.5

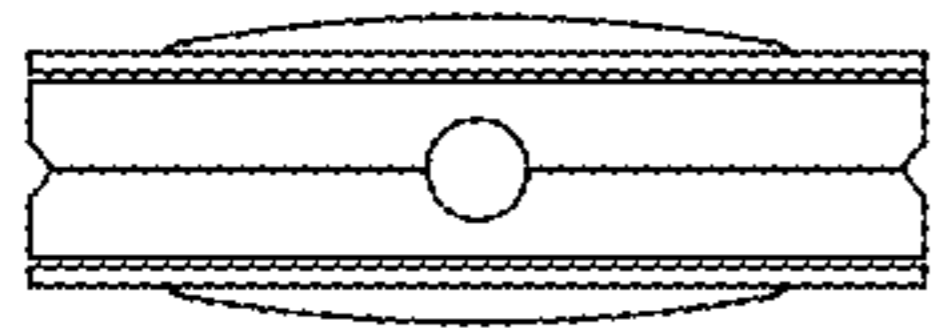


FIG.6

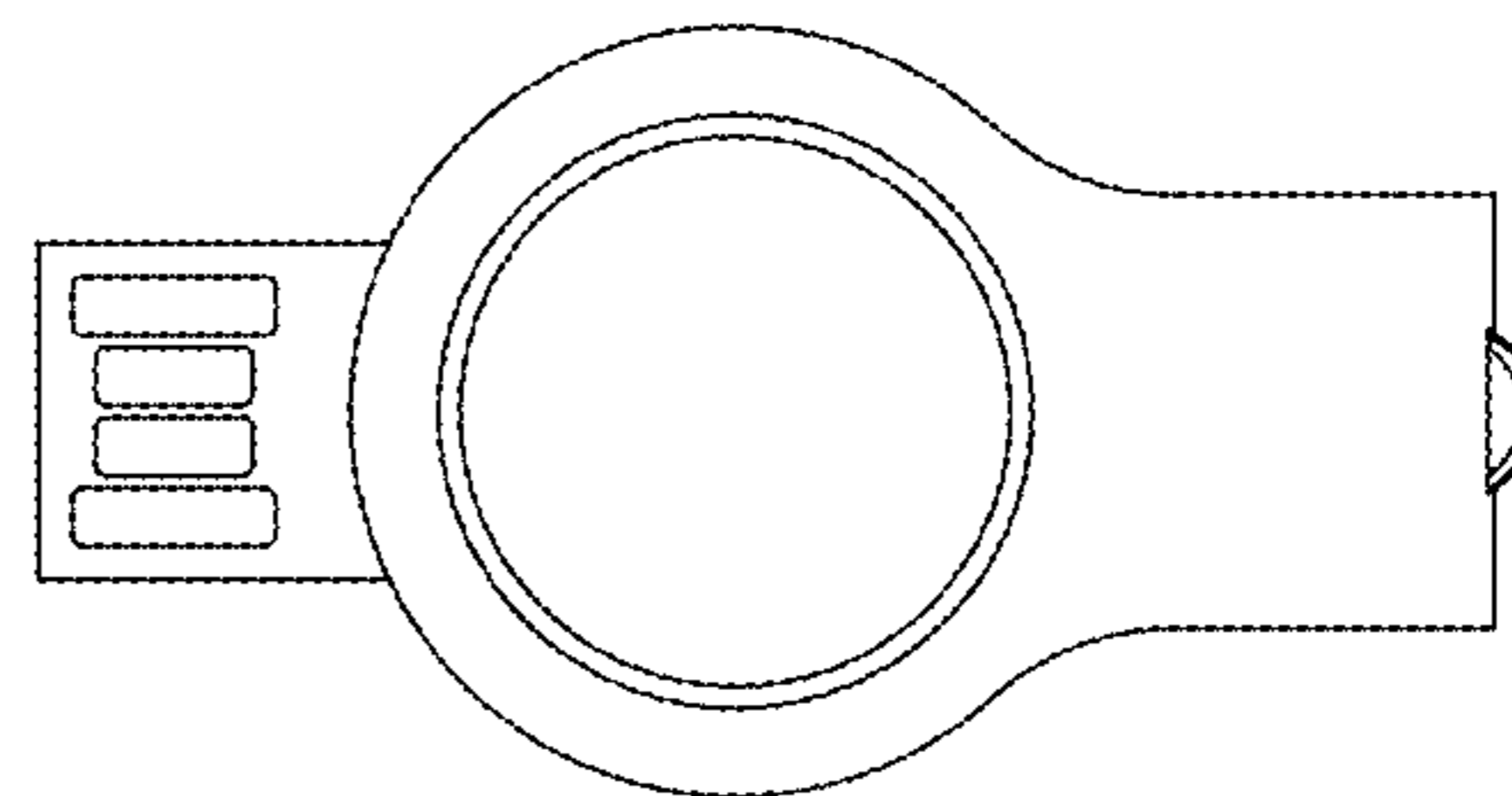


FIG.7

