



US00D685806S

(12) **United States Design Patent**
Kim et al.

(10) **Patent No.:** **US D685,806 S**
(45) **Date of Patent:** **** Jul. 9, 2013**

- (54) **STAND FOR MONITOR**
- (71) Applicant: **Samsung Electronics Co., Ltd.**,
Suwon-si (KR)
- (72) Inventors: **Hee-Bong Kim**, Gimpo (KR);
Gyoo-Sang Choi, Suwon (KR)
- (73) Assignee: **Samsung Electronics Co., Ltd.**,
Suwon-si, Gyeonggi-do (KR)

D574,698	S	*	8/2008	Grey et al.	D8/373
D595,298	S	*	6/2009	Zonshine et al.	D14/451
7,621,490	B2	*	11/2009	Tseng	248/157
7,762,518	B2	*	7/2010	Ogawa et al.	248/688
7,789,355	B2	*	9/2010	Gan et al.	248/157
7,810,773	B2	*	10/2010	Chi	248/278.1
D629,405	S	*	12/2010	Crysell	D14/447
D662,940	S	*	7/2012	Magnusson	D14/451
D674,398	S	*	1/2013	Whittington	D14/447
2007/0045488	A1	*	3/2007	Shin	248/176.1
2008/0210841	A1	*	9/2008	Tseng	248/422

- (**) Term: **14 Years**
- (21) Appl. No.: **29/433,865**
- (22) Filed: **Oct. 5, 2012**

- (30) **Foreign Application Priority Data**
May 22, 2012 (KR) 30-2012-0025214
- (51) **LOC (9) Cl.** **08-07**
- (52) **U.S. Cl.**
USPC **D14/451**
- (58) **Field of Classification Search**
USPC D14/451, 452, 129, 209, 217, 224,
D14/237, 238, 239, 432, 439, 447, 448; D8/349,
D8/354, 355, 363, 373, 380; 248/176.1, 201,
248/205.1, 220.21, 223.31, 231.9, 274.1,
248/276.1, 281.11, 284.1, 286.1, 309.1, 316.1,
248/323, 324, 349.1, 371, 398, 425, 917,
248/918, 919, 920, 921, 923, 924, 121, 124.1,
248/127, 291.1, 313; 348/825, 827
See application file for complete search history.

- (56) **References Cited**
U.S. PATENT DOCUMENTS
D415,768 S * 10/1999 Howell D14/451
D460,078 S * 7/2002 Li D14/452
D503,331 S * 3/2005 Sjoberg D8/363
6,918,564 B2 * 7/2005 Yen et al. 248/404
D574,386 S * 8/2008 Bailo D14/451

OTHER PUBLICATIONS

U.S. Appl. No. 29/430,045, Applicant: Hee-Bong Kim, et al., filed Aug. 21, 2012 entitled Stand for TV Receiver.

(Continued)

Primary Examiner — Cynthia Ramirez

(74) *Attorney, Agent, or Firm* — Flynn, Thiel, Boutell & Tanis, P.C.

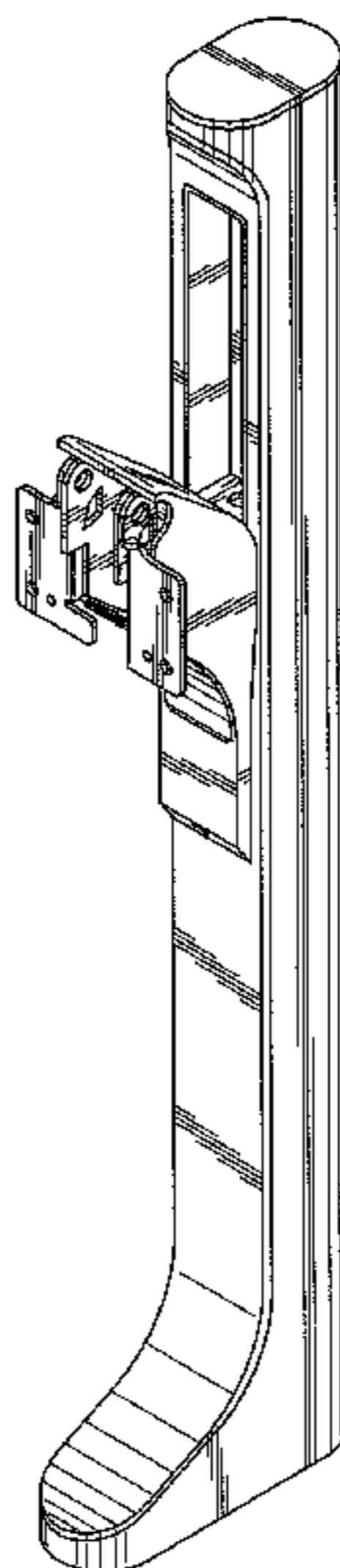
(57) **CLAIM**

The ornamental design for a stand for monitor, as shown and described.

DESCRIPTION

FIG. 1 is a top front perspective view of a stand for monitor showing our new design;
 FIG. 2 is a front elevational view thereof;
 FIG. 3 is a rear elevational view thereof;
 FIG. 4 is a left side elevational view thereof;
 FIG. 5 is a right side elevational view thereof;
 FIG. 6 is a top plan view thereof;
 FIG. 7 is a bottom plan view thereof; and
 FIG. 8 is a right side view thereof when both monitor part and support part are combined with the present stand.
 The broken line showing of a monitor and monitor part in FIG. 8 is included for the purpose of illustrating environment and forms no part of the claimed design.

1 Claim, 5 Drawing Sheets



OTHER PUBLICATIONS

U.S. Appl. No. 29/426,413, Applicant: Su-An Choi, et al., filed Jul. 5, 2012 entitled Stand for a TV Receiver.

U.S. Appl. No. 29/426,422, Applicant: Su-An Choi, filed Jul. 5, 2012 entitled Stand for a Monitor.

U.S. Appl. No. 29/422,967, Applicant: Bo-Kyung Seong, et al., filed May 25, 2012 entitled Stand for a Display Device.

U.S. Appl. No. 29/427,963, Applicant: Young-Jin Seo, et al., filed Jul. 24, 2012 entitled Stand for Monitor.

* cited by examiner

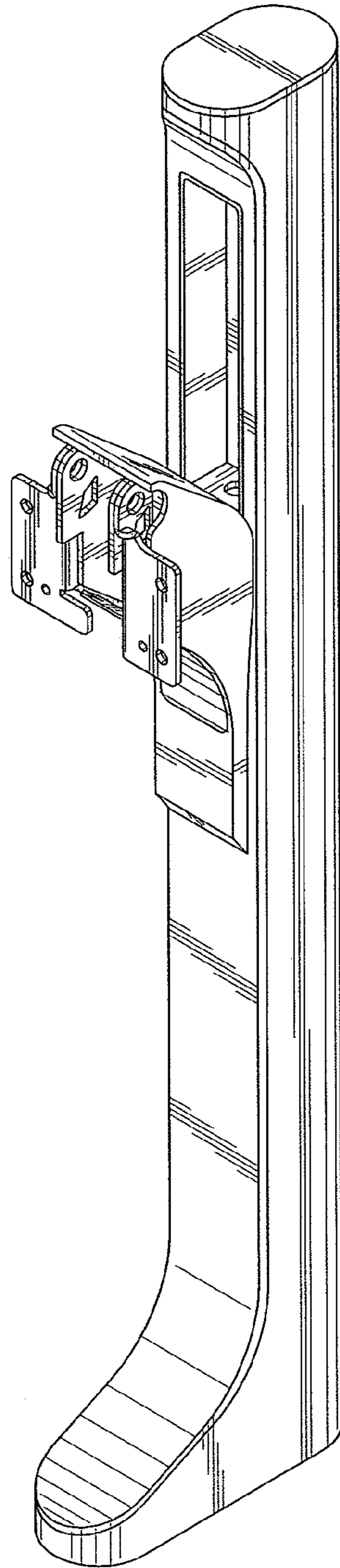


FIG.1

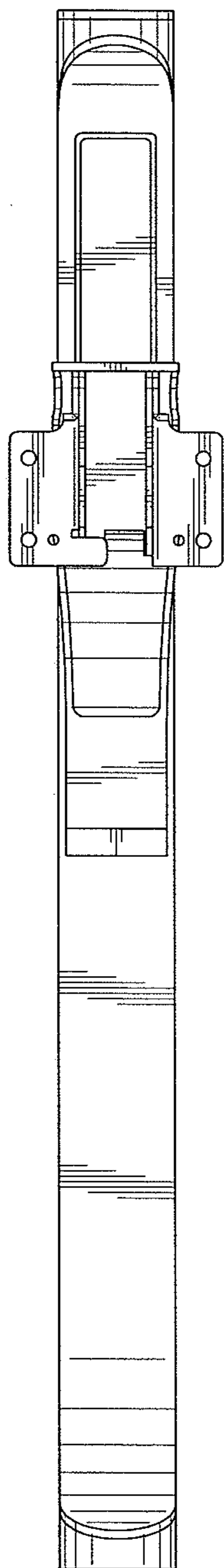


FIG.2

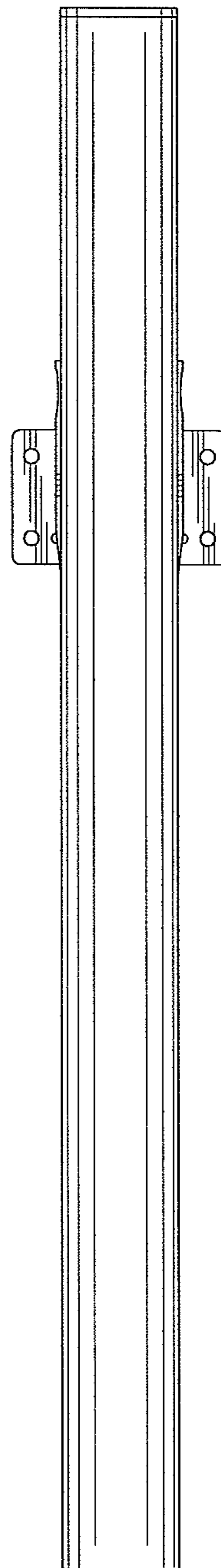


FIG.3

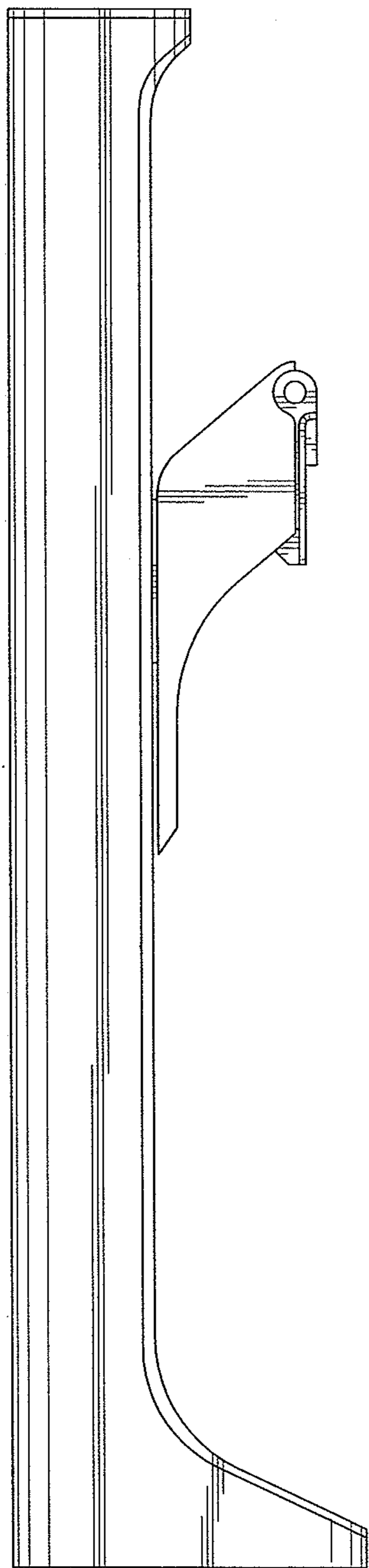


FIG.4

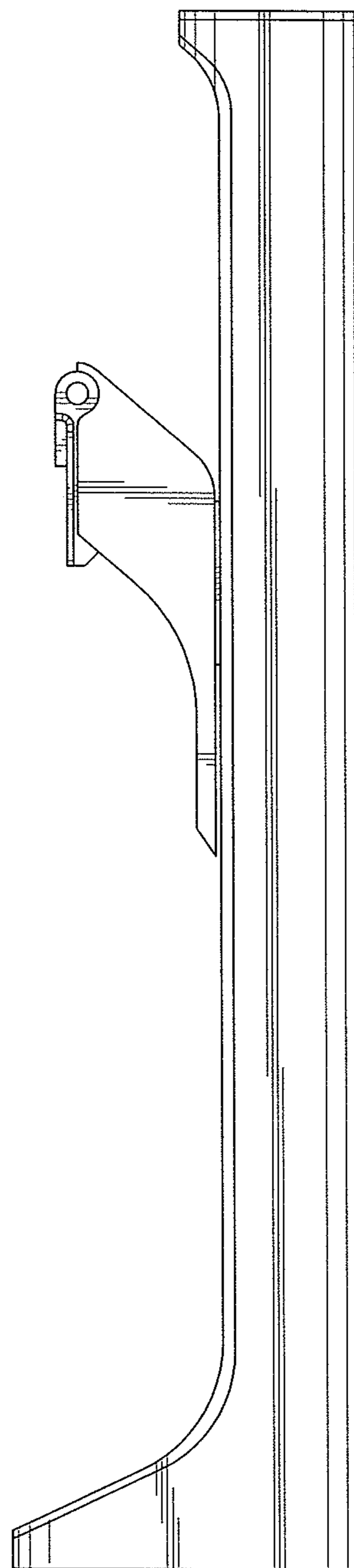


FIG.5

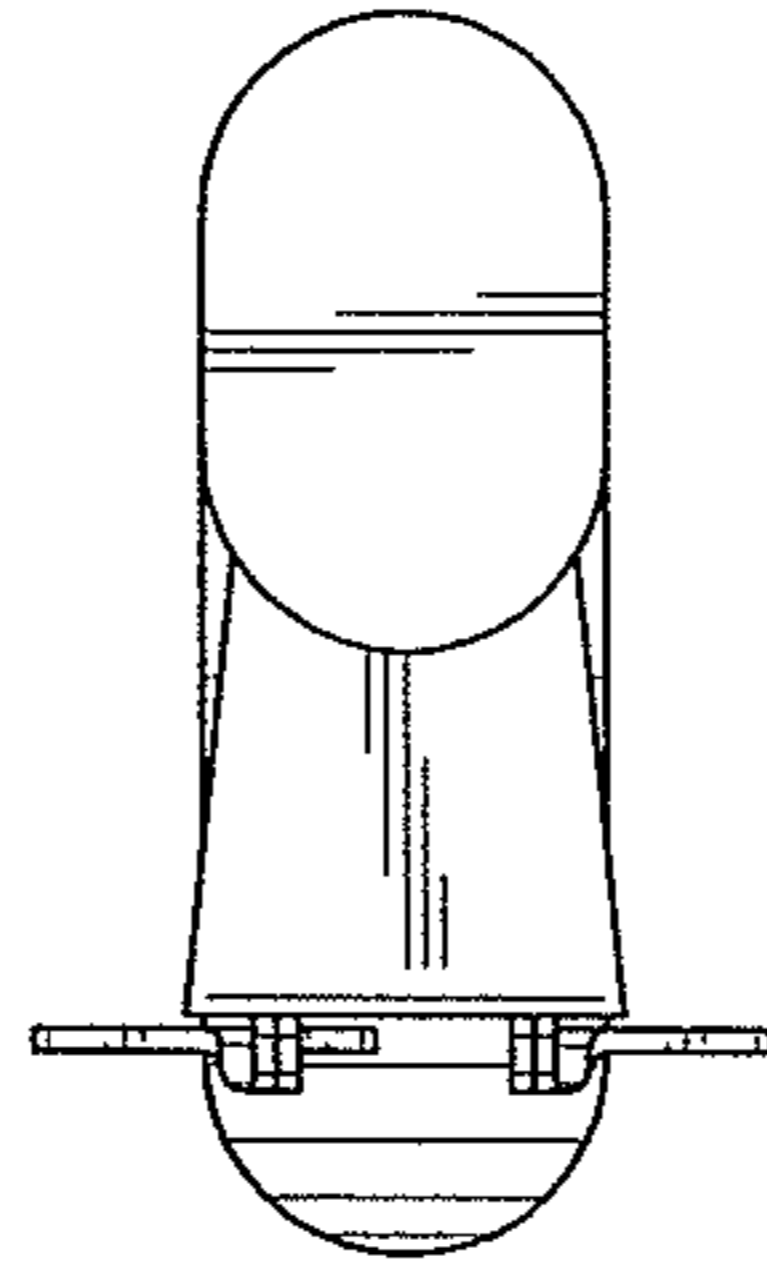


FIG. 6

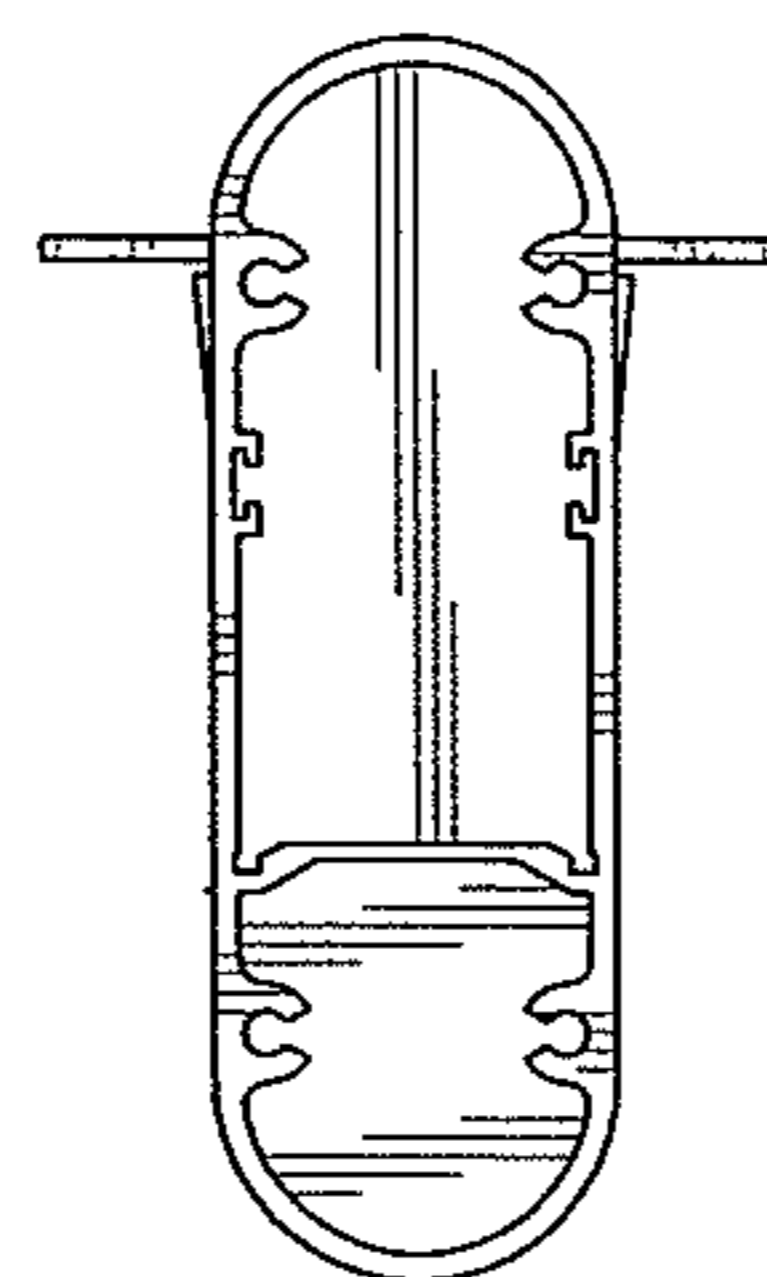


FIG. 7

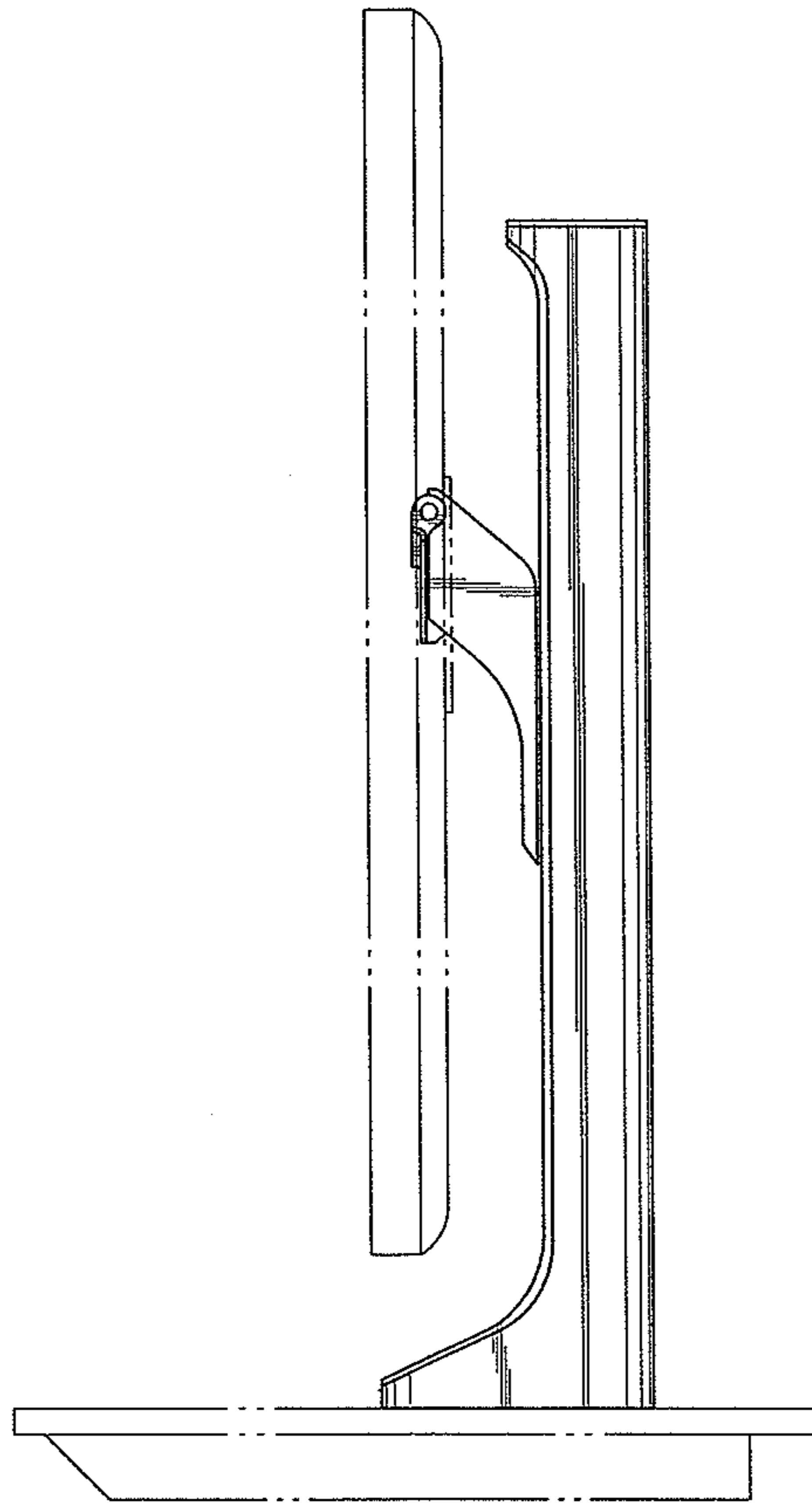


FIG.8