



US00D685805S

(12) **United States Design Patent**  
**Lu et al.**

(10) **Patent No.:** **US D685,805 S**  
(45) **Date of Patent:** **\*\* Jul. 9, 2013**

- (54) **DISPLAY**
- (75) Inventors: **Yen-Wen Lu**, Taipei (TW); **Chia-Chen Yang**, Taipei (TW)
- (73) Assignee: **Compal Electronics, Inc.**, Taipei (TW)
- (\*\*) Term: **14 Years**
- (21) Appl. No.: **29/431,413**
- (22) Filed: **Sep. 7, 2012**
- (51) **LOC (9) Cl.** ..... **08-07**
- (52) **U.S. Cl.**  
USPC ..... **D14/451**
- (58) **Field of Classification Search**  
USPC . D14/451, 452, 448, 447, 239, 253; 248/917,  
248/918, 921, 422, 281.11, 278.1, 280.1,  
248/280.11, 346.01  
See application file for complete search history.

D676,431 S *	2/2013	Lu et al.	.....	D14/239
2002/0171020 A1 *	11/2002	Huang et al.	.....	248/346.01
2006/0208145 A1 *	9/2006	Chen	.....	248/289.11
2009/0168321 A1 *	7/2009	Kataoka et al.	.....	361/679.22

\* cited by examiner

*Primary Examiner* — Cynthia Ramirez  
(74) *Attorney, Agent, or Firm* — Jianq Chyun IP Office

(57) **CLAIM**  
The ornamental design for a display, as shown and described.

**DESCRIPTION**

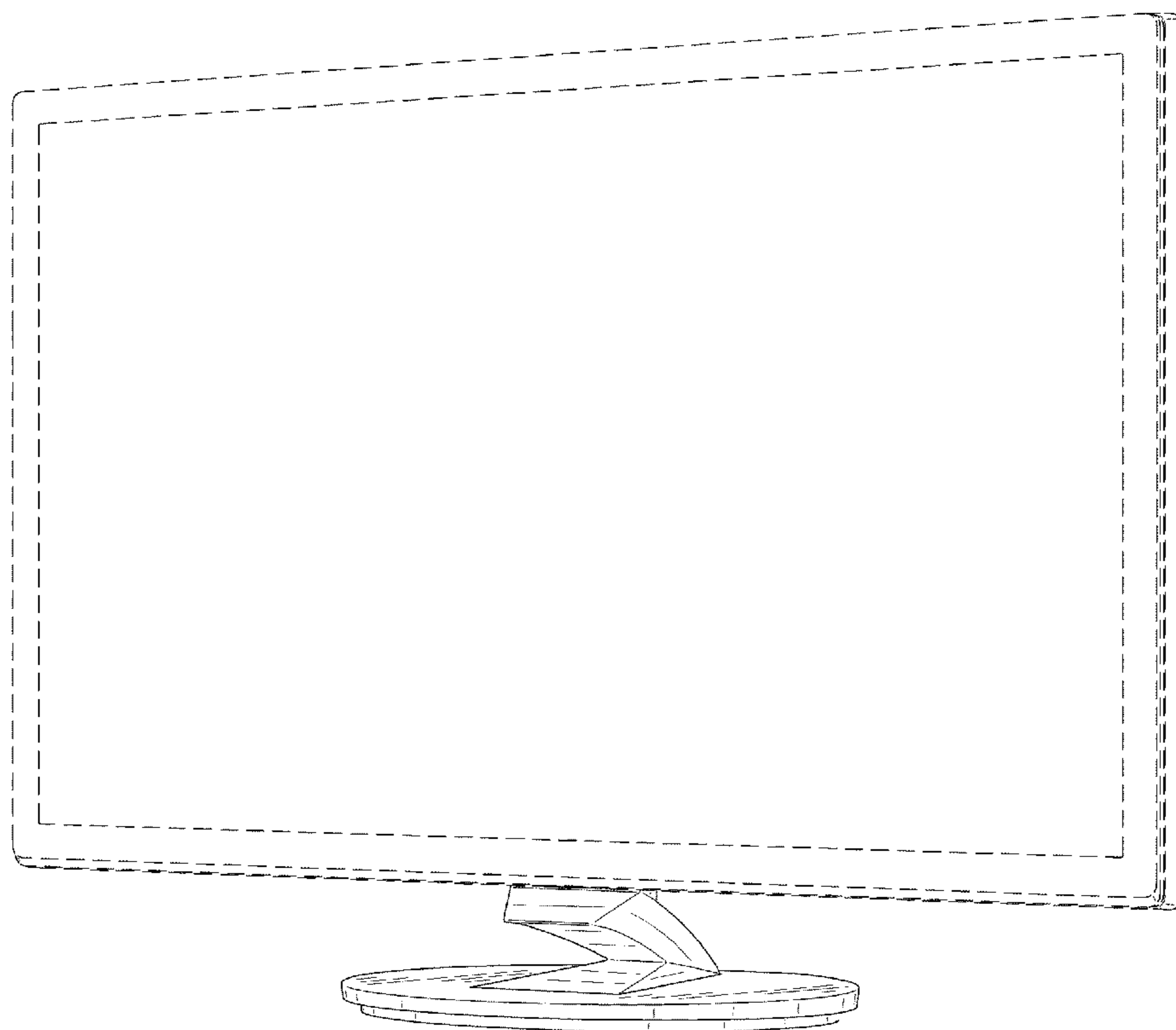
FIG. 1 is a perspective view of a display showing our new design;  
 FIG. 2 is another perspective view thereof;  
 FIG. 3 is a front view thereof;  
 FIG. 4 is a rear view thereof;  
 FIG. 5 is a left side view thereof, the right side view being a mirror image of the left side view;  
 FIG. 6 is a top view thereof; and,  
 FIG. 7 is a bottom view thereof.  
 The broken line portions of the display in all views represent unclaimed portions of the claimed design and form no part thereof.

**1 Claim, 7 Drawing Sheets**

(56) **References Cited**

**U.S. PATENT DOCUMENTS**

D491,943 S *	6/2004	Whitehorn et al.	.....	D14/375
D517,550 S *	3/2006	Depay et al.	.....	D14/375
D610,560 S *	2/2010	Chen	.....	D14/126
D645,867 S *	9/2011	Wong et al.	.....	D14/447
D646,684 S *	10/2011	Tierney et al.	.....	D14/451
D662,506 S *	6/2012	Skinner et al.	.....	D14/451



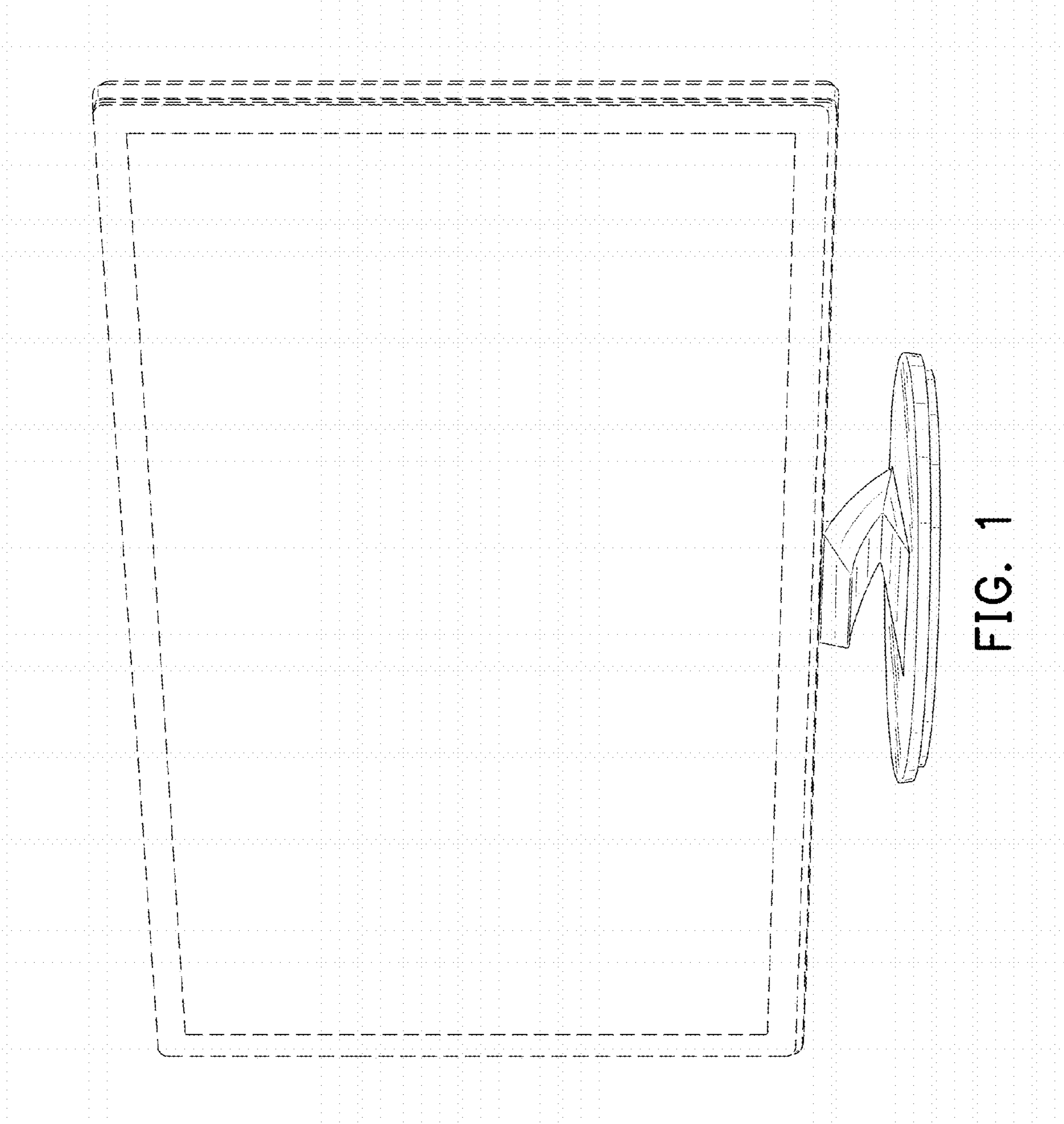


FIG. 1

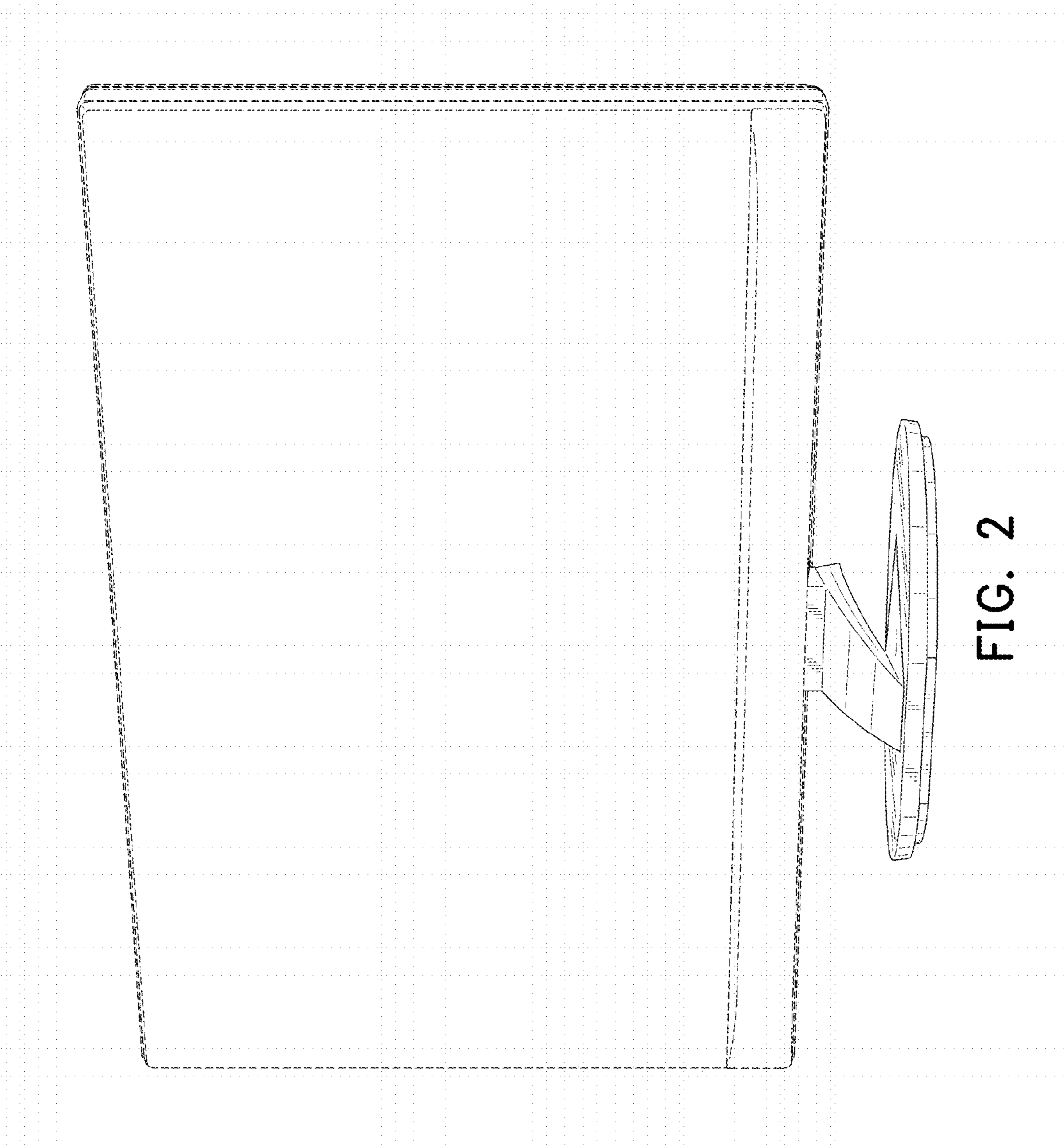


FIG. 2

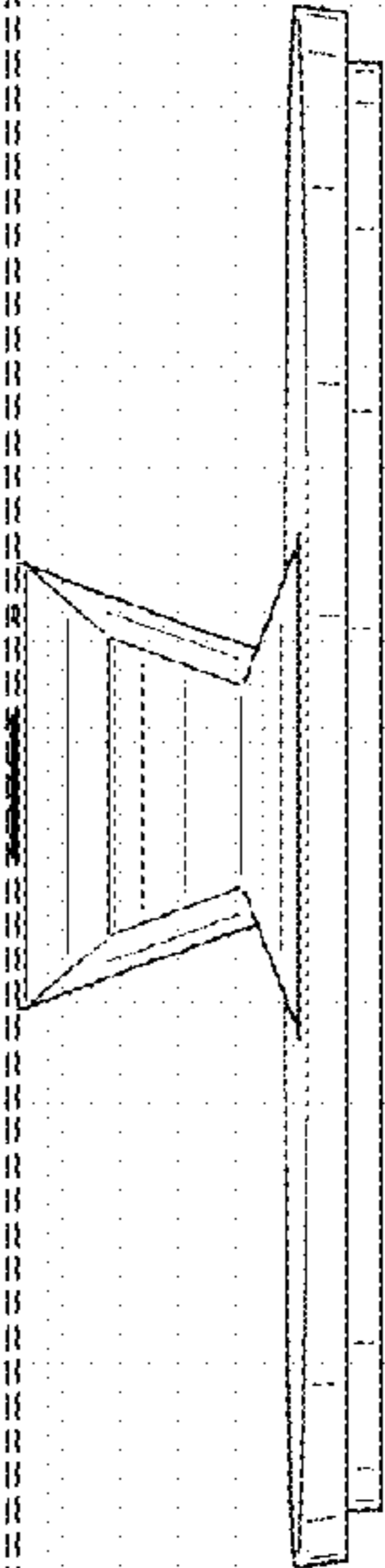
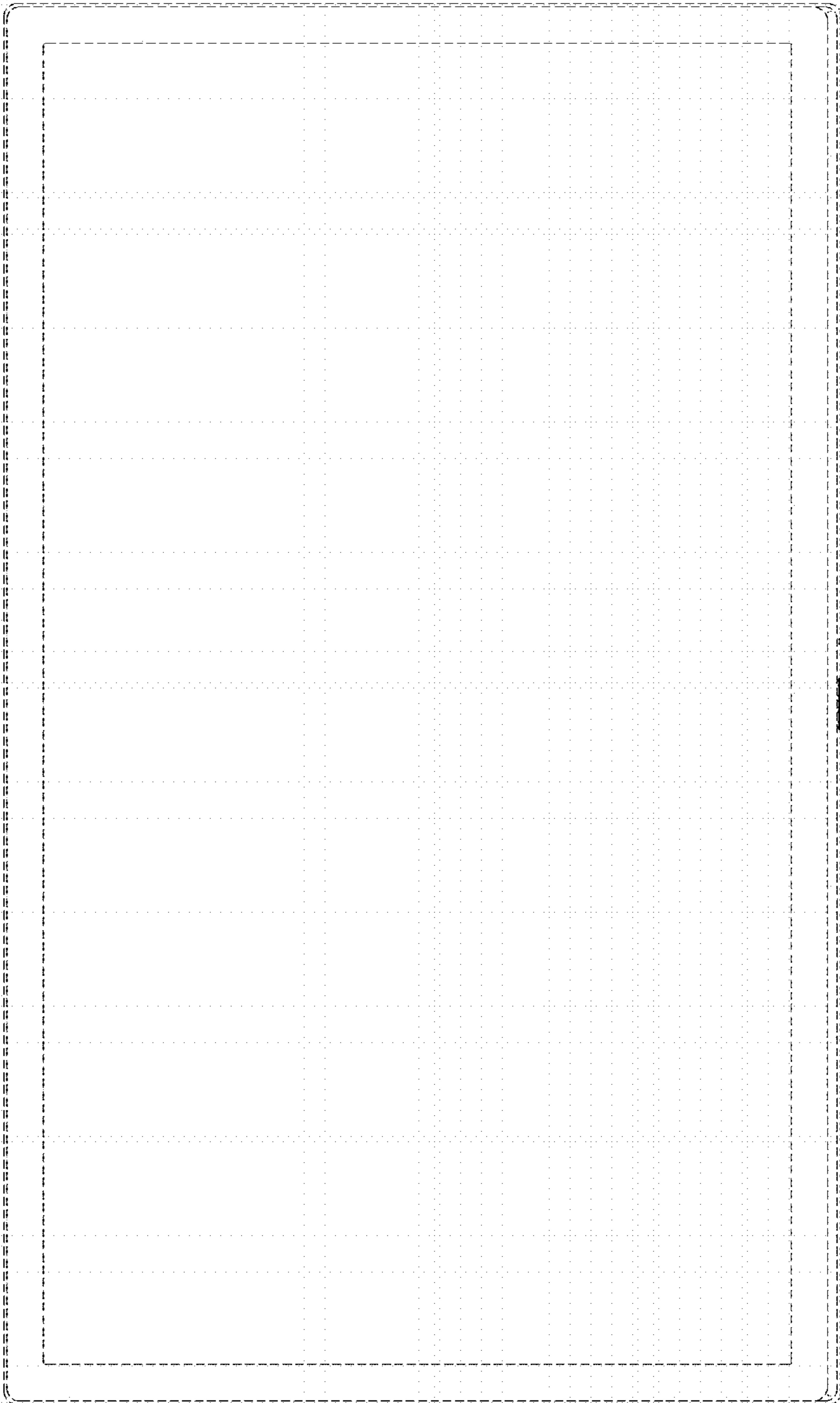


FIG. 3

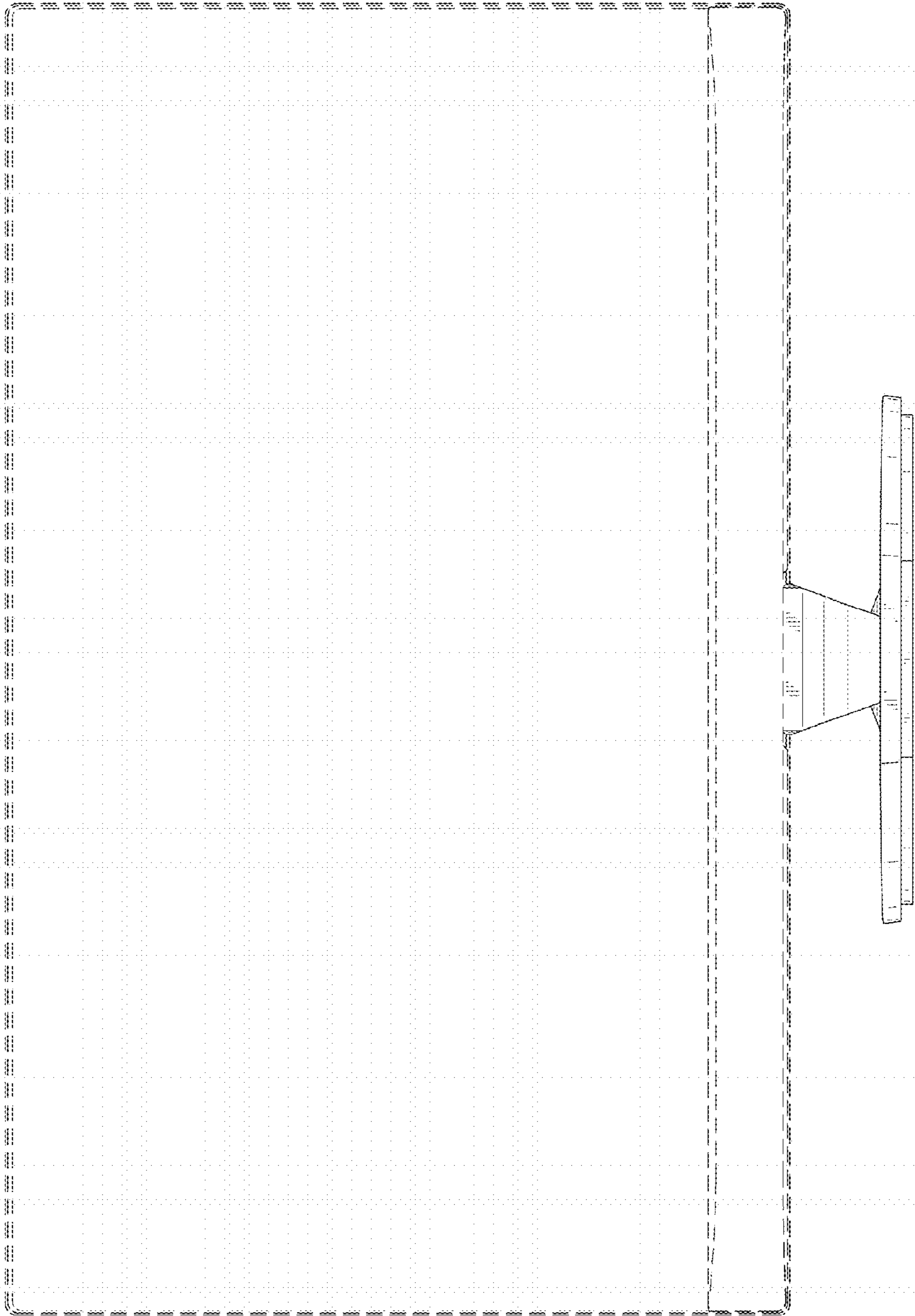


FIG. 4

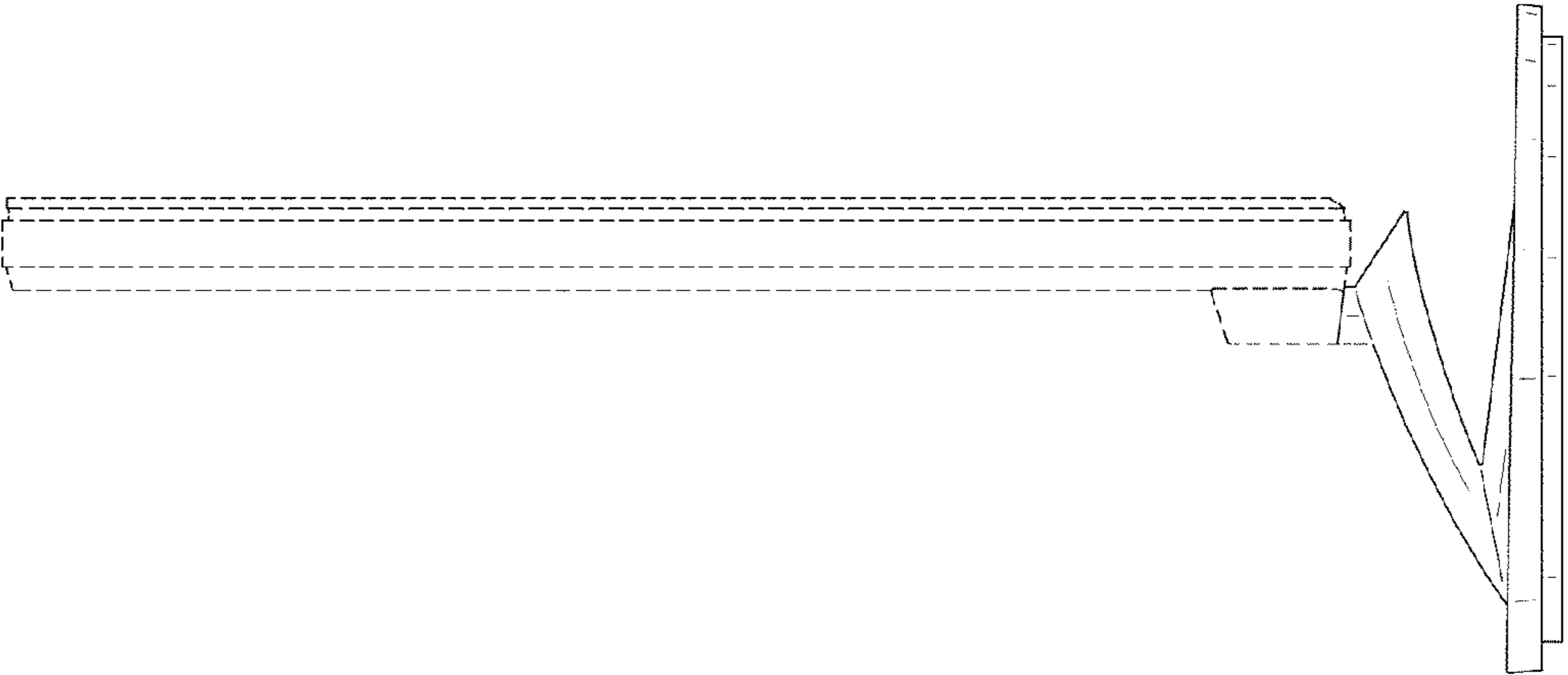


FIG. 5



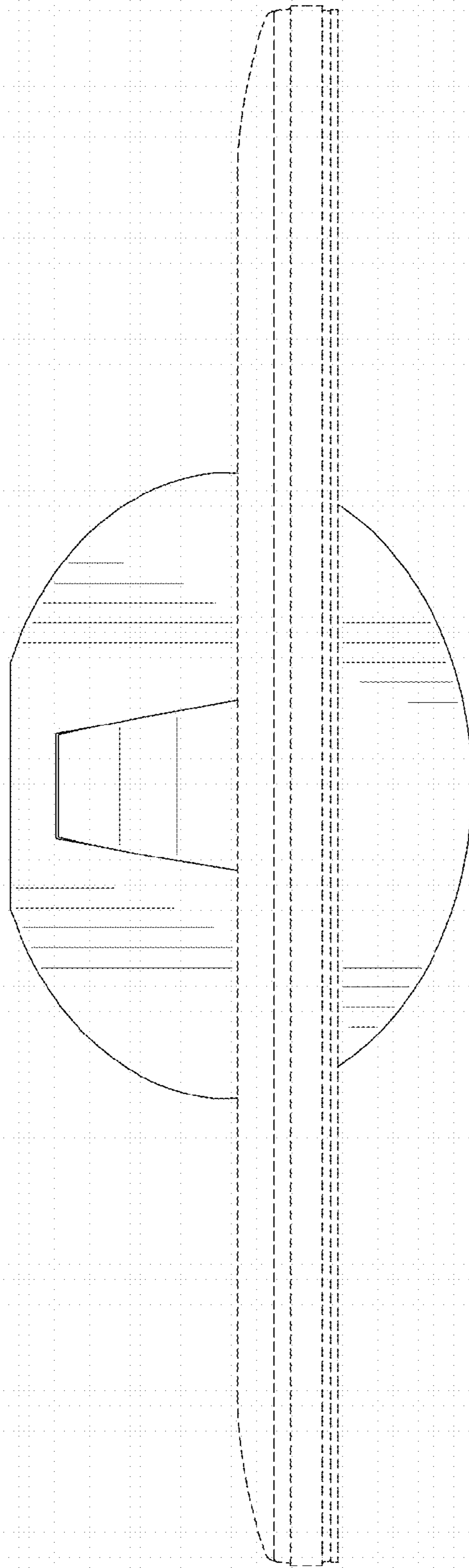


FIG. 6

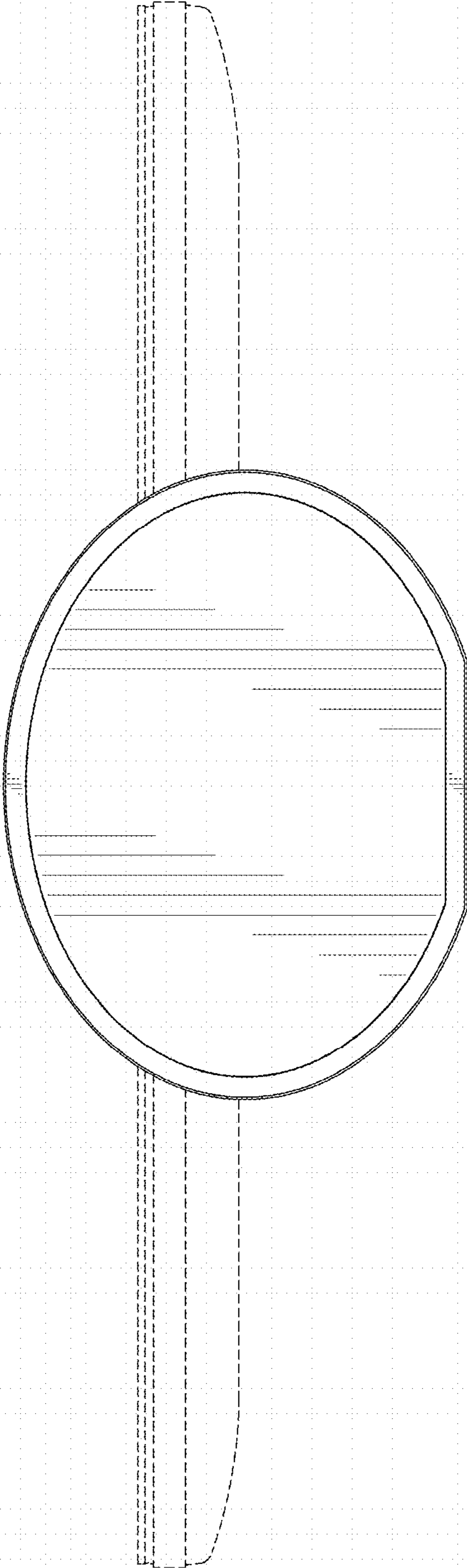


FIG. 7