

US00D685803S

(12) **United States Design Patent**
Akana et al.

(10) **Patent No.:** **US D685,803 S**
(45) **Date of Patent:** **** Jul. 9, 2013**

(54) **CASE**

379/88.17, 387.01, 388.02, 419, 440; 220/4.02;
248/309.1; 345/173; 455/575.1, 575.8; 190/100

See application file for complete search history.

(75) Inventors: **Jody Akana**, San Francisco, CA (US);
Bartley K. Andre, Palo Alto, CA (US);
Jeremy Bataillou, San Francisco, CA
(US); **Daniel J. Coster**, San Francisco,
CA (US); **Daniele De Iuliis**, San
Francisco, CA (US); **Evans M. Hankey**,
San Francisco, CA (US); **Julian Hoenig**,
San Francisco, CA (US); **Richard P.**
Howarth, San Francisco, CA (US);
Jonathan P. Ive, San Francisco, CA
(US); **Duncan Robert Kerr**, San
Francisco, CA (US); **Shin Nishibori**,
Kailua, HI (US); **Matthew Dean**
Rohrbach, San Francisco, CA (US);
Peter Russell-Clarke, San Francisco,
CA (US); **Christopher J. Stringer**,
Woodside, CA (US); **Eugene Antony**
Whang, San Francisco, CA (US); **Rico**
Zörkendörfer, San Francisco, CA (US)

(56) **References Cited**

U.S. PATENT DOCUMENTS

D340,701 S * 10/1993 Takeuchi D14/341
D418,867 S * 1/2000 Platte, III D19/33

(Continued)

OTHER PUBLICATIONS

Design U.S. Appl. No. 29/382,846, filed Jan. 7, 2011, "Portable Display Device," Andre et al. (not published).

Primary Examiner — Cynthia Underwood

(74) *Attorney, Agent, or Firm* — Sterne, Kessler, Goldstein & Fox PLLC

(57) **CLAIM**

The ornamental design for a case, as shown and described.

(73) Assignee: **Apple Inc.**, Cupertino, CA (US)

(**) Term: **14 Years**

(21) Appl. No.: **29/415,146**

(22) Filed: **Mar. 7, 2012**

Related U.S. Application Data

(63) Continuation of application No. 29/415,035, filed on Mar. 6, 2012.

(51) **LOC (9) Cl.** **14-02**

(52) **U.S. Cl.**
USPC **D14/440**

(58) **Field of Classification Search**

USPC D14/248, 130, 432, 439, 300, 246,
D14/223, 138 AA, 240, 217, 496, 250, 251,
D14/253, 440, 203.3, 203.4, 203.5, 203.8;
D3/218, 215, 201; 206/320; 361/679.03,
361/679.56, 683, 679.09; 112/475.19; 162/134,
162/140, 231; 156/148, 209; 5/413 AM, 709;

DESCRIPTION

FIG. 1 is a top front perspective view of a case in an open position showing our new design;

FIG. 2 is a bottom rear perspective view thereof;

FIG. 3 is a front view thereof;

FIG. 4 is a rear view thereof;

FIG. 5 is a bottom view thereof;

FIG. 6 is a top view thereof;

FIG. 7 is a left side view thereof;

FIG. 8 is a right side view thereof;

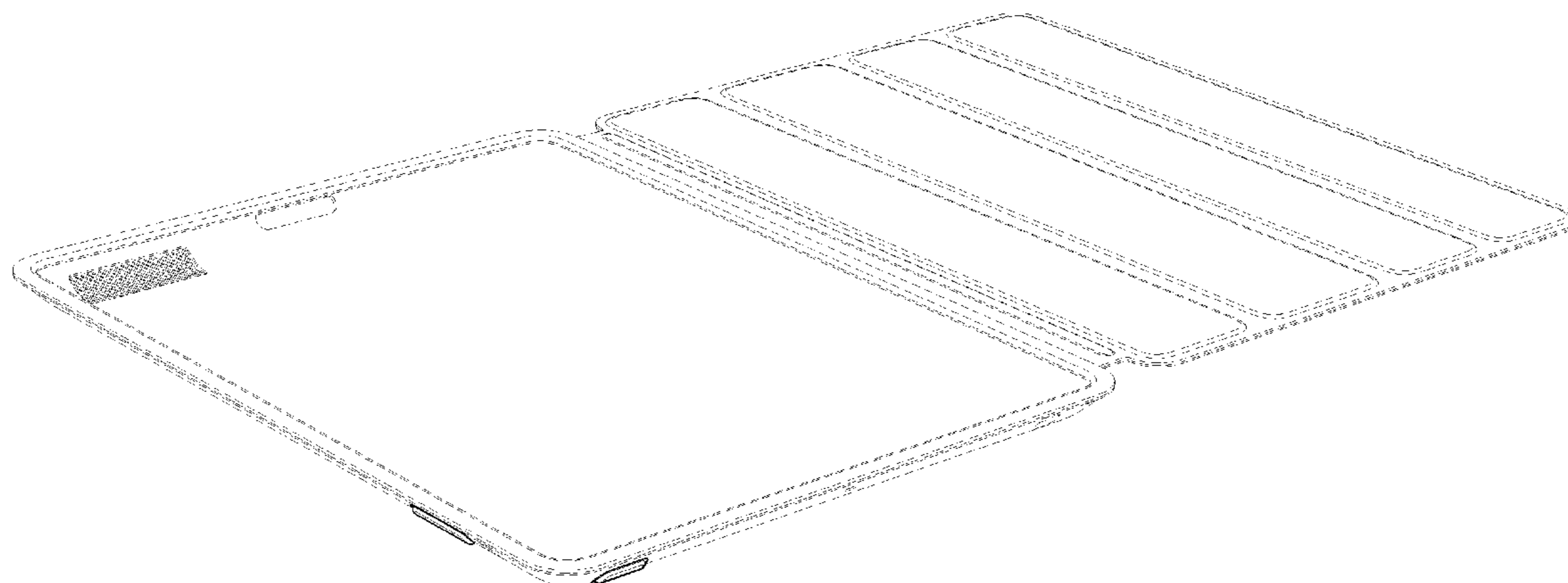
FIG. 9 is a front view thereof showing the case in a closed position;

FIG. 10 is an enlarged bottom view shown in two parts for ease of illustration; and,

FIG. 11 is an enlarged top view shown in two parts for ease of illustration.

The broken lines in the Figures show portions of the case which form no part of the claimed design.

1 Claim, 8 Drawing Sheets



US D685,803 S

Page 2

U.S. PATENT DOCUMENTS

D461,469 S *	8/2002	Wang et al.	D14/497	D616,416 S *	5/2010	Lin	D14/189
D517,512 S *	3/2006	Peng	D14/129	D616,464 S *	5/2010	Park	D14/496
D518,007 S *	3/2006	Peng	D14/129	D622,258 S *	8/2010	Joseph	D14/171
D518,008 S *	3/2006	Peng	D14/129	D644,248 S *	8/2011	Kim et al.	D14/496
D538,787 S *	3/2007	Tsai	D14/209.1	8,132,670 B1 *	3/2012	Chen	206/320
D542,772 S *	5/2007	Shimizu	D14/171	D656,929 S *	4/2012	Hsiung	D14/250
D555,667 S *	11/2007	Hussaini et al.	D14/496	D658,186 S *	4/2012	Akana et al.	D14/440
D557,814 S *	12/2007	Glenn et al.	D24/217	D658,187 S *	4/2012	Diebel	D14/440
D577,743 S *	9/2008	Liu	D14/496	D658,188 S *	4/2012	Diebel	D14/440
D583,360 S *	12/2008	Gredler	D14/171	D660,833 S *	5/2012	Bau	D14/250
D593,540 S *	6/2009	Skurdal	D14/215	D663,724 S *	7/2012	Lee et al.	D14/248
D594,876 S *	6/2009	Hwang	D14/496	D664,564 S *	7/2012	Gillett et al.	D14/496
D599,821 S *	9/2009	Tang	D14/496	D669,059 S *	10/2012	Huang	D14/240
D604,744 S *	11/2009	Tseng et al.	D14/496	D671,114 S *	11/2012	Akana et al.	D14/341
D606,096 S *	12/2009	Bui	D14/496	2011/0164365 A1 *	7/2011	McClure et al.	361/679.3
D608,794 S *	1/2010	Xiao et al.	D14/496	2011/0227463 A1 *	9/2011	Hou et al.	312/223.1
D609,718 S *	2/2010	Chang et al.	D14/496					

* cited by examiner

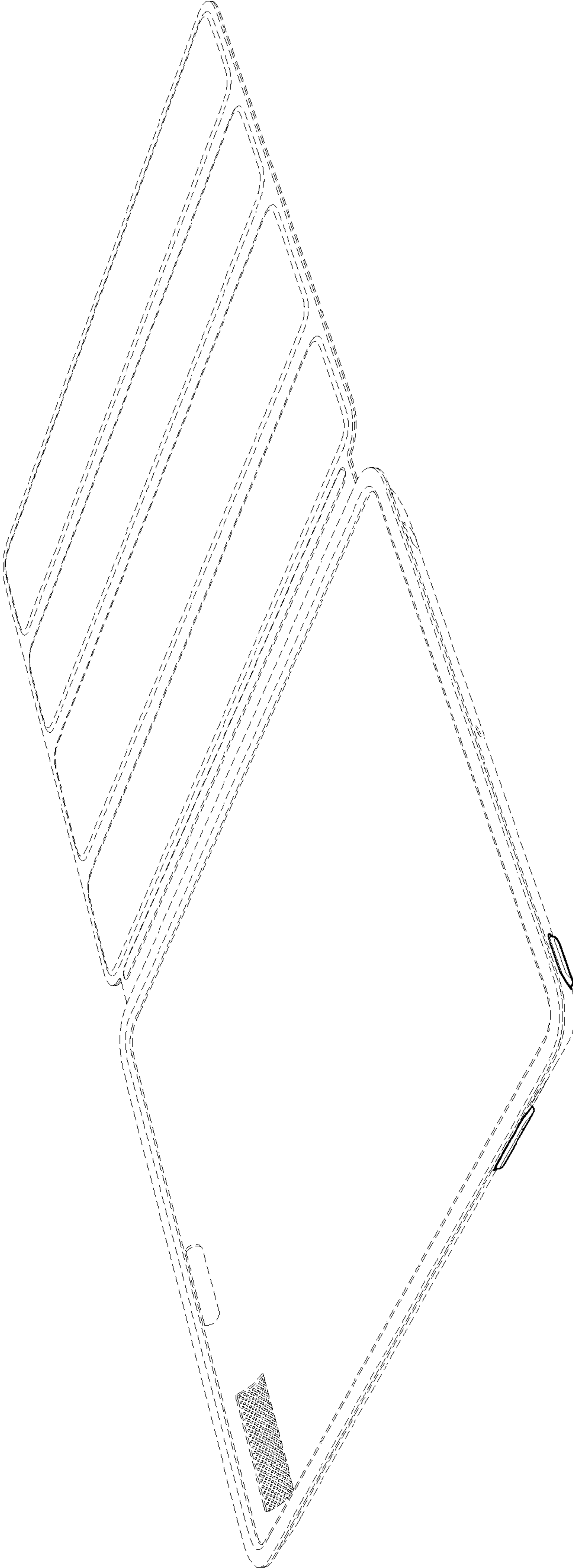


FIG. 1

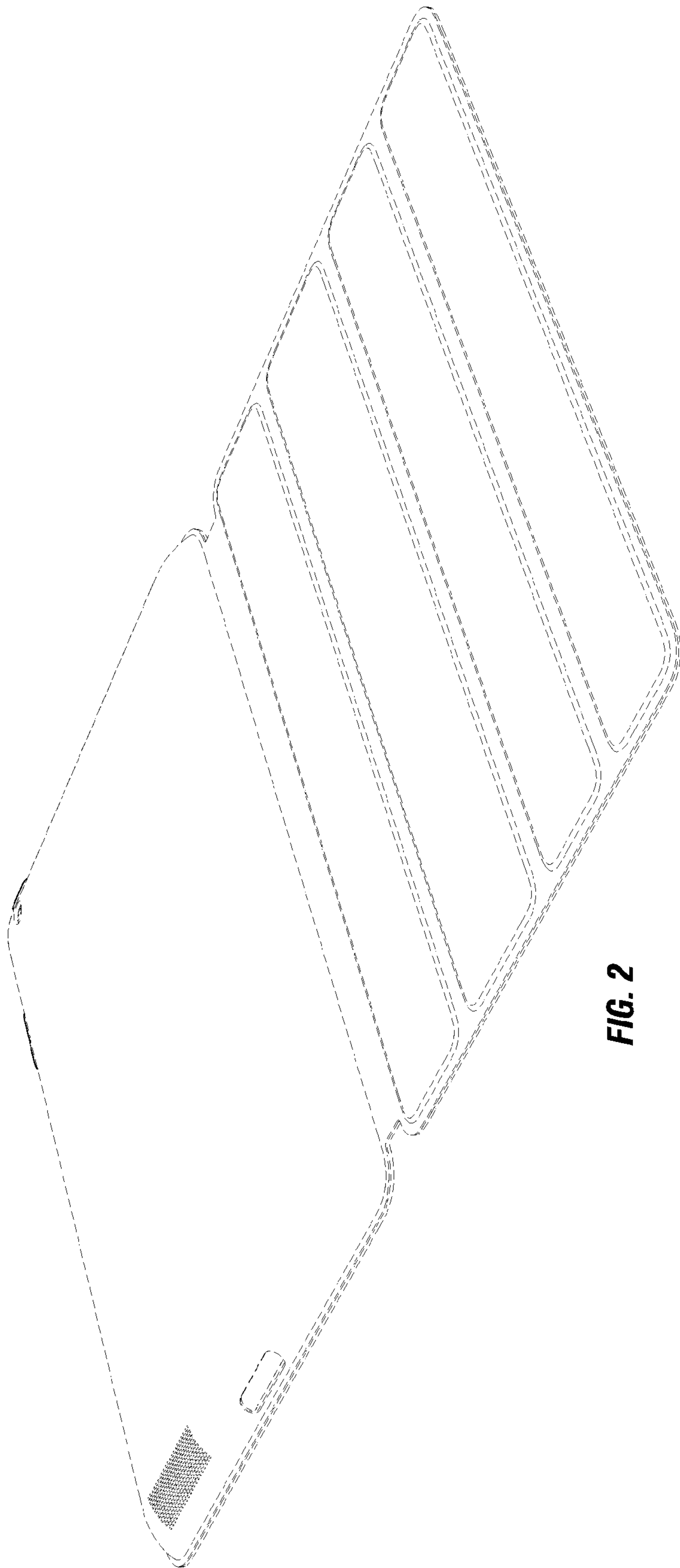


FIG. 2

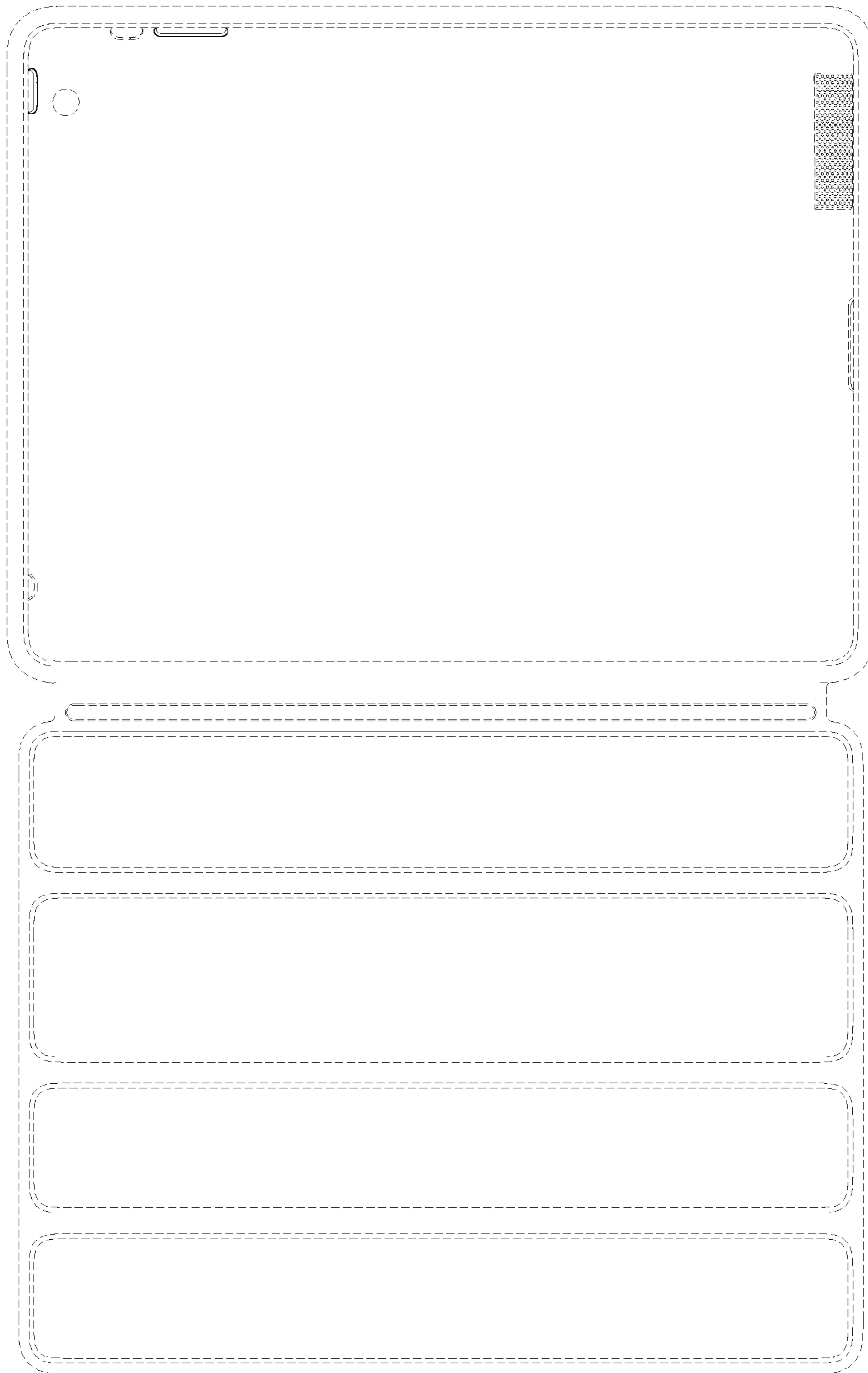


FIG. 3

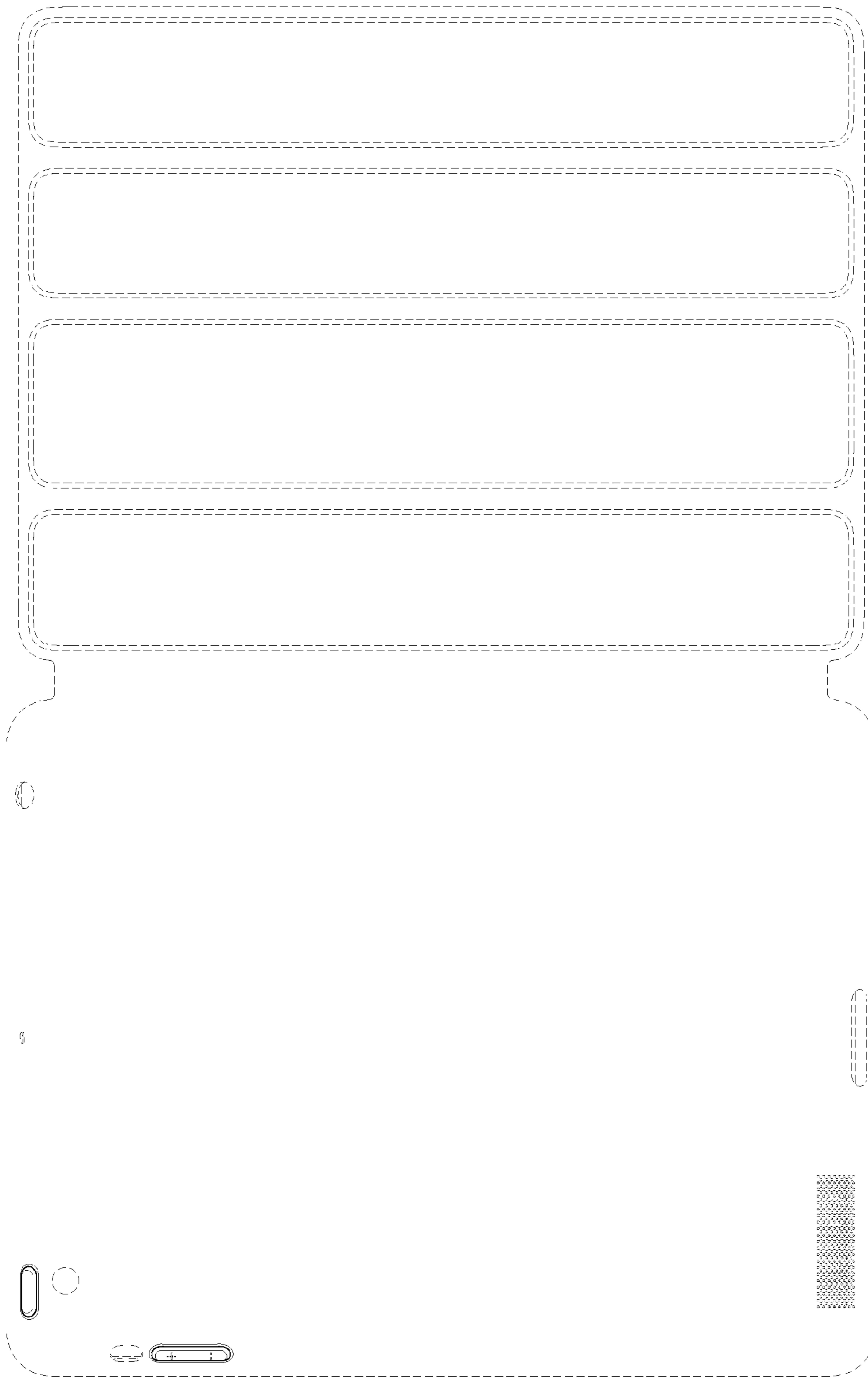


FIG. 4

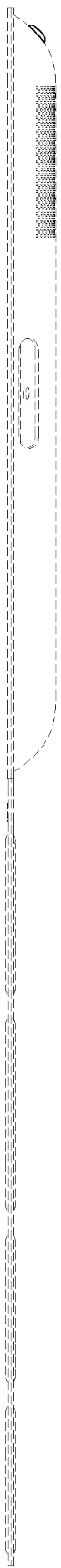


FIG. 5



FIG. 6

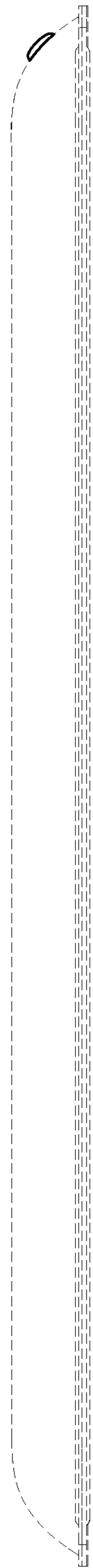


FIG. 7

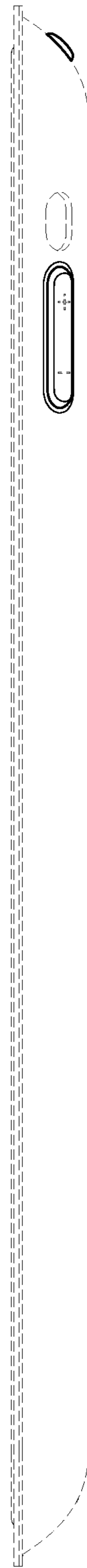


FIG. 8

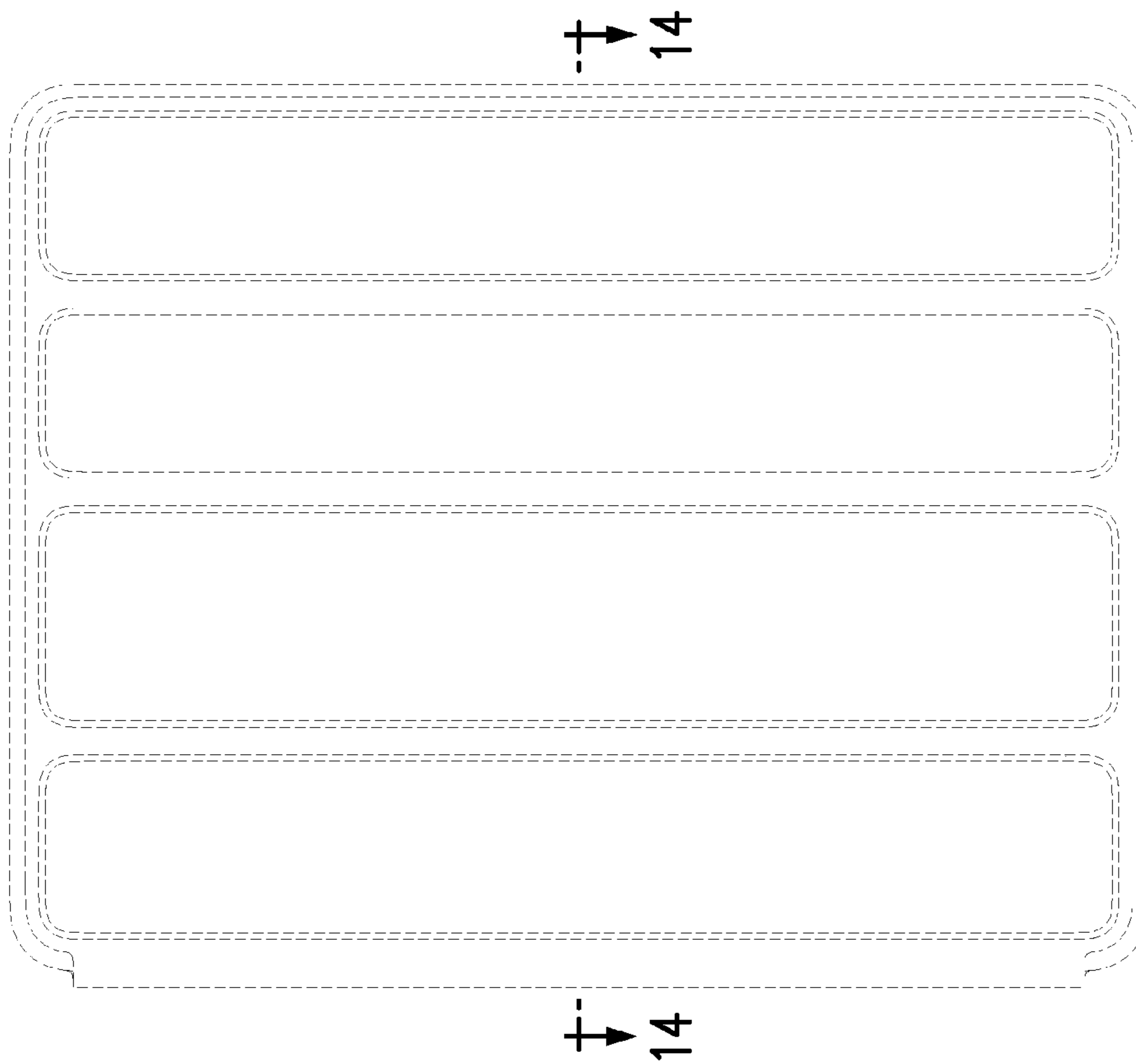


FIG. 9

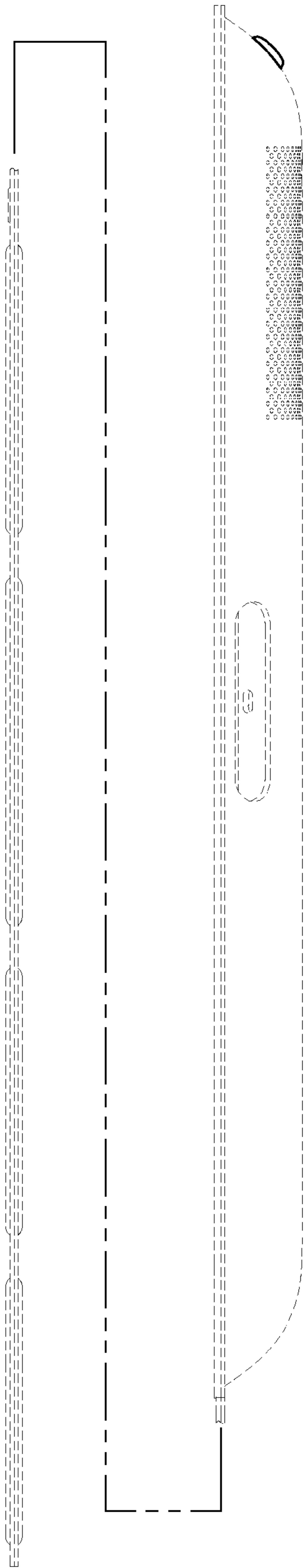


FIG. 10

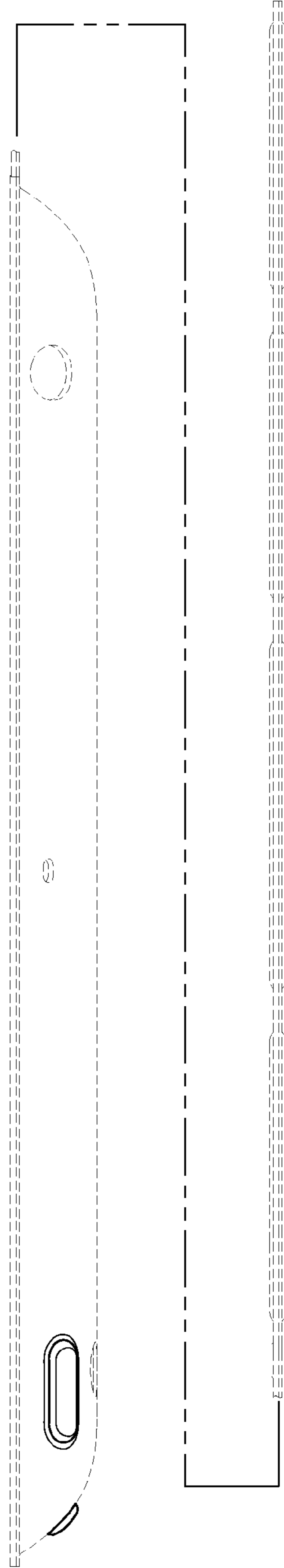


FIG. 11

UNITED STATES PATENT AND TRADEMARK OFFICE
CERTIFICATE OF CORRECTION

PATENT NO. : D685,803 S
APPLICATION NO. : 29/415146
DATED : July 9, 2013
INVENTOR(S) : Jody Akana

Page 1 of 1

It is certified that error appears in the above-identified patent and that said Letters Patent is hereby corrected as shown below:

Title Page, Item (75), Inventors, please replace “Evans M. Hankey” with --M. Evans Hankey--.

Signed and Sealed this
First Day of October, 2013



Teresa Stanek Rea
Deputy Director of the United States Patent and Trademark Office