



US00D685798S

(12) **United States Design Patent**
Weiss

(10) **Patent No.:** **US D685,798 S**

(45) **Date of Patent:** **** Jul. 9, 2013**

(54) **SOUND REFLECTOR**

(75) Inventor: **Moshe Weiss**, St. Paul, MN (US)

(73) Assignee: **Simply Amazing, LLC**, Minneapolis, MN (US)

(**) Term: **14 Years**

(21) Appl. No.: **29/399,971**

(22) Filed: **Aug. 22, 2011**

(51) **LOC (9) Cl.** **14-02**

(52) **U.S. Cl.**
USPC **D14/439**

(58) **Field of Classification Search**
USPC D14/300–302, 308–313, 314, 348,
D14/353–355, 432, 439–446; 361/679.02,
361/679.31, 679.5, 690, 694, 679.23, 801,
361/802; 312/332.1, 334.1

See application file for complete search history.

(56) **References Cited**

U.S. PATENT DOCUMENTS

2,469,254	A	5/1949	Bankson	
3,618,698	A *	11/1971	McCabe et al.	181/136
D257,593	S *	12/1980	Vogel	D23/403
D330,415	S *	10/1992	Thomas	D23/371
D330,588	S *	10/1992	Lindeen	D23/373
D434,395	S *	11/2000	Mazzetti et al.	D14/439
D439,908	S *	4/2001	Gozani	D14/434
6,237,714	B1	5/2001	Lee	
6,571,907	B2	6/2003	Jennings	
D488,440	S *	4/2004	Senda	D13/108
D495,041	S *	8/2004	Thomas	D23/325
D508,459	S *	8/2005	Yoshida	D13/108
D545,812	S	7/2007	Grady et al.	
D552,085	S	10/2007	Andre et al.	
D605,633	S *	12/2009	Andre et al.	D14/217
7,778,431	B2	8/2010	Feng et al.	
D623,652	S *	9/2010	Hsu	D14/439
D659,138	S *	5/2012	Hsu et al.	D14/385
8,220,585	B2 *	7/2012	Vogel	181/133

D665,381	S *	8/2012	Akana et al.	D14/217
D674,492	S *	1/2013	Vogel	D24/175
2012/0241247	A1	9/2012	Choe	

OTHER PUBLICATIONS

An image of “tabAmp for iPad” can be found at <http://www.amazon.com/tabAmp-iPad-Amplifier-Enhancer-Booster/dp/B00914RJ8W%3FSubscriptionId%3D04AM2B1D3BQXTFCTG702%26tag%3Dxgoogle-20%26linkCode%3Dxm2%26camp%3D2025%26creative%3D165953%26creativeASIN%3DB00914RJ8W>. Images of sound reflectors, 16 pages, www.google.com/search?q=sound+reflector&hl=en&rls=org.mozilla:en-US:official&channel=np&prmd=ivns=tbn=isch&tt (Aug. 1, 2011).

* cited by examiner

Primary Examiner — Austin Murphy
(74) *Attorney, Agent, or Firm* — Browdy and Neimark, PLLC

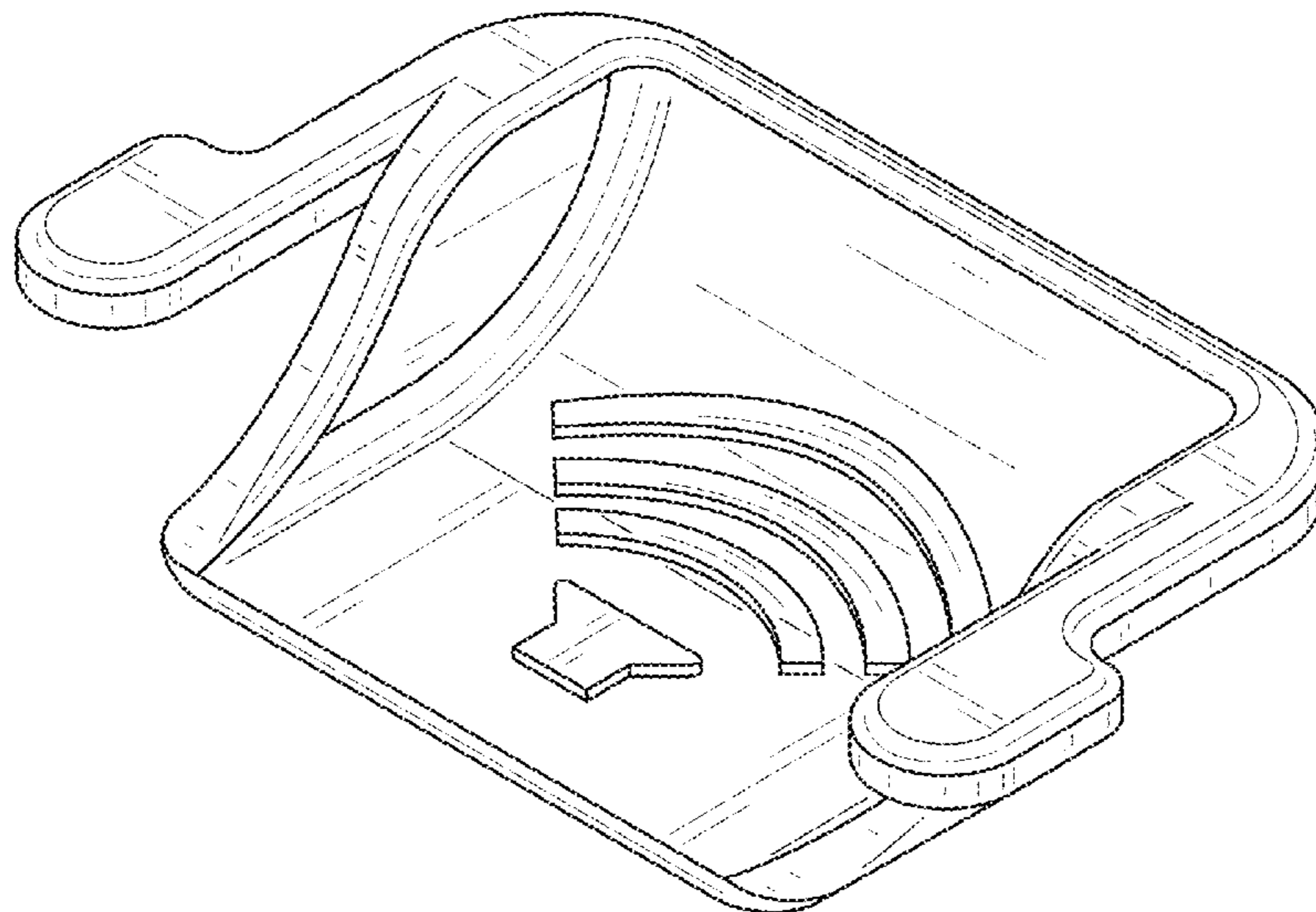
(57) **CLAIM**

The ornamental design for a sound reflector, as shown and described.

DESCRIPTION

FIG. 1 is a perspective view of a sound reflector according to the present design;
FIG. 2 is a top view thereof;
FIG. 3 is a bottom view thereof;
FIG. 4 is a left side view thereof;
FIG. 5 is a right side view thereof;
FIG. 6 is a front view thereof;
FIG. 7 is a rear view thereof; and,
FIG. 8 is a perspective view of the sound reflector of the present design attached to a computer to reflect sound from the computer speaker to the user.
The broken lines shown in the drawings form no part of the claimed design.

1 Claim, 5 Drawing Sheets



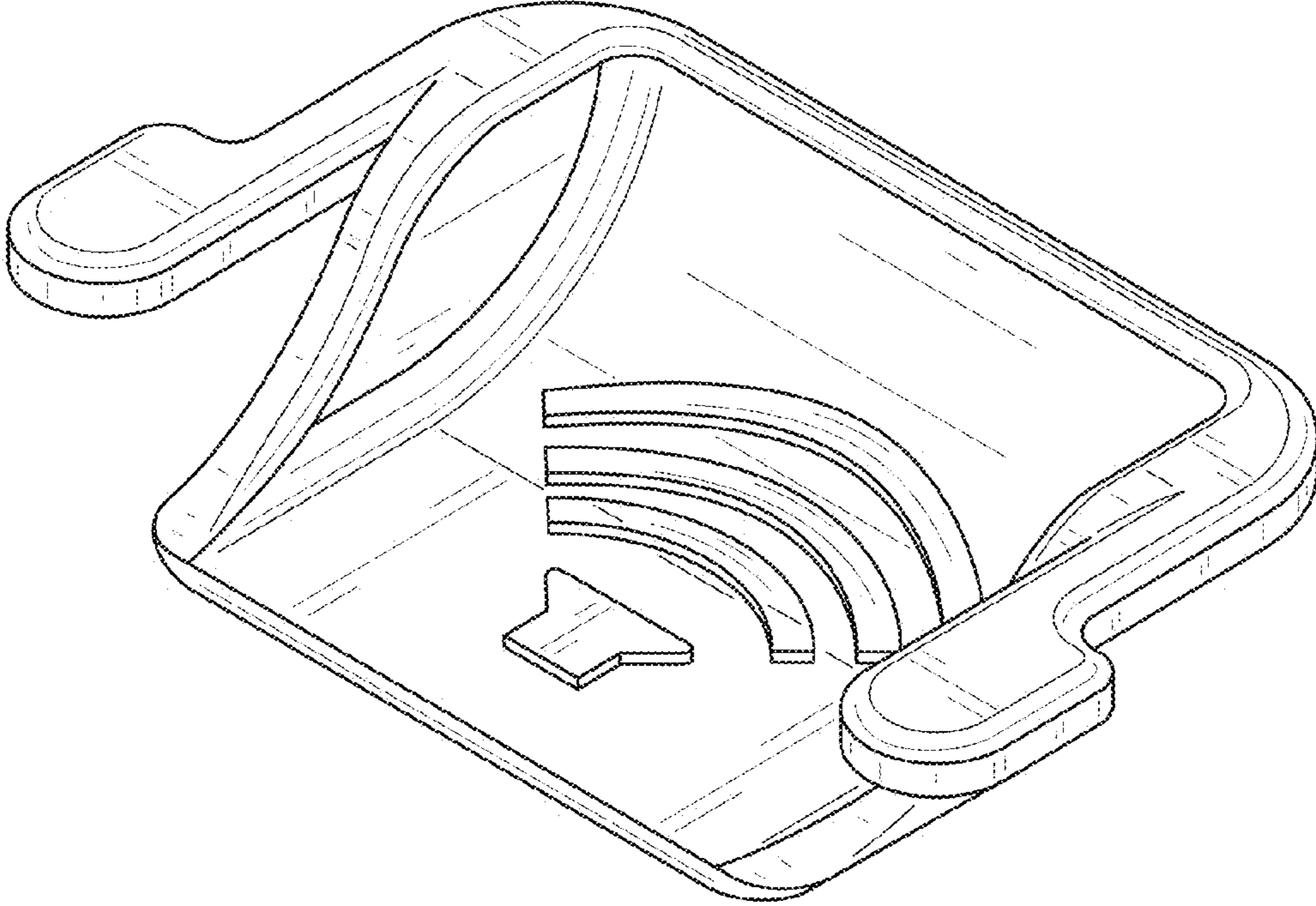


FIG. 1

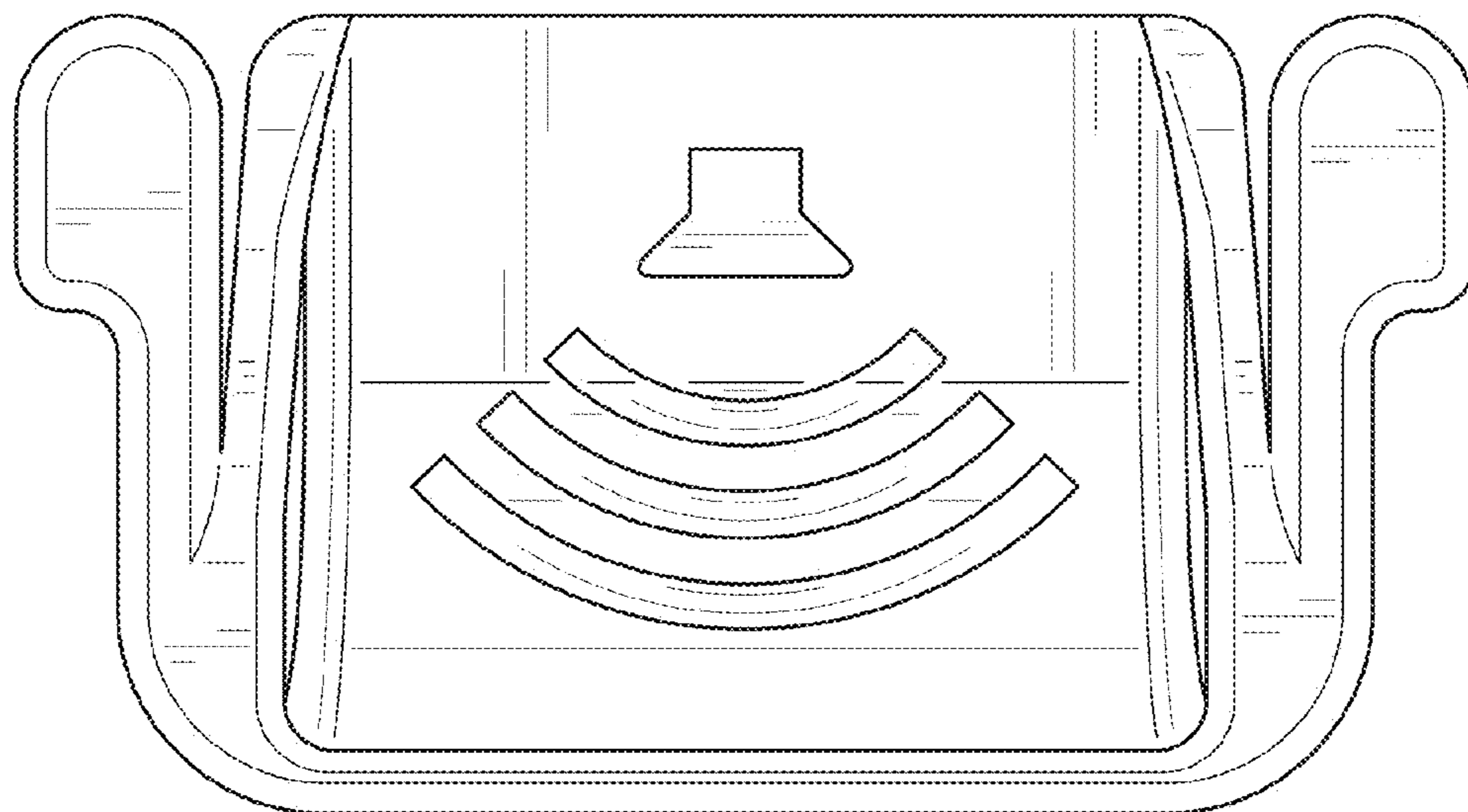


FIG. 2

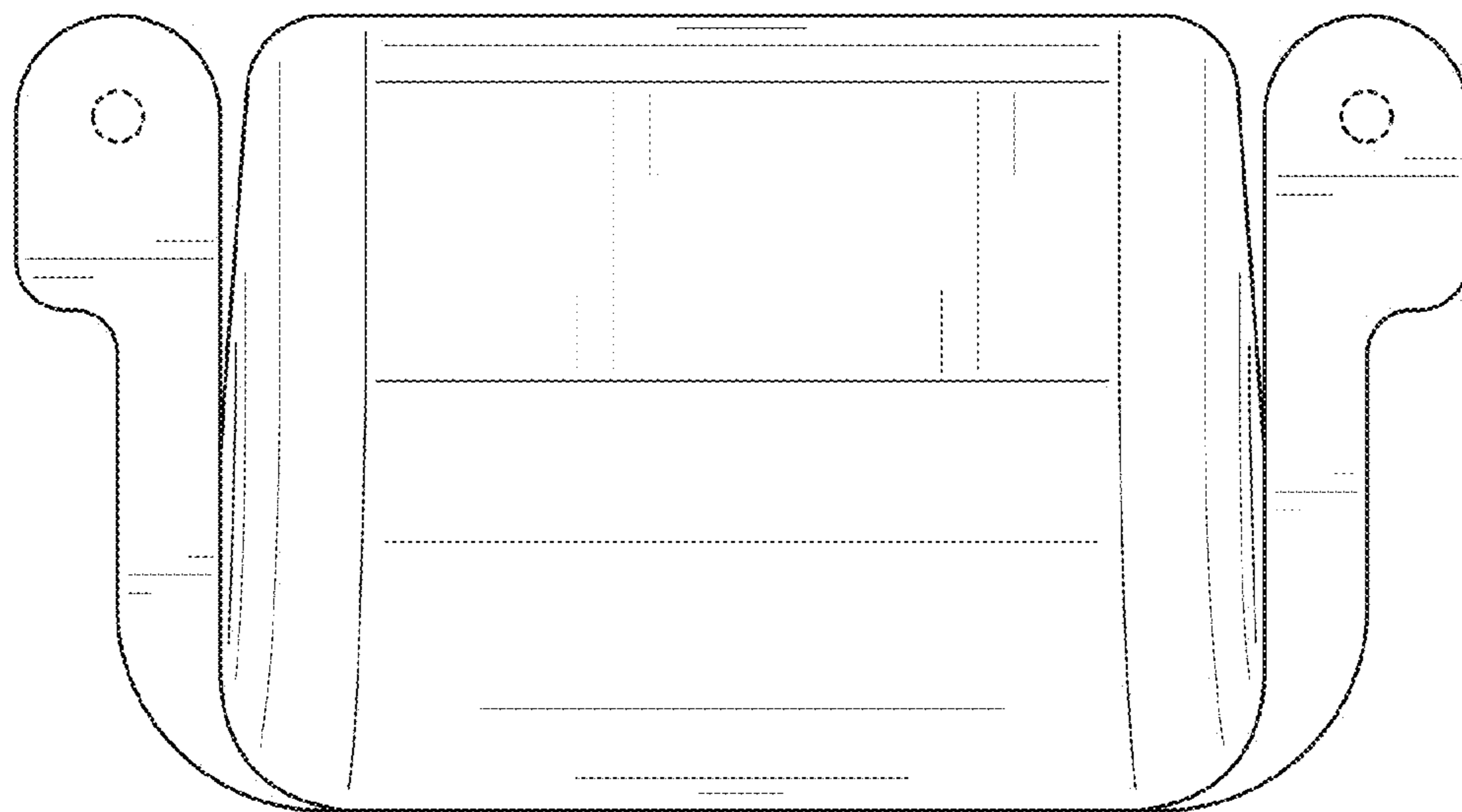


FIG. 3

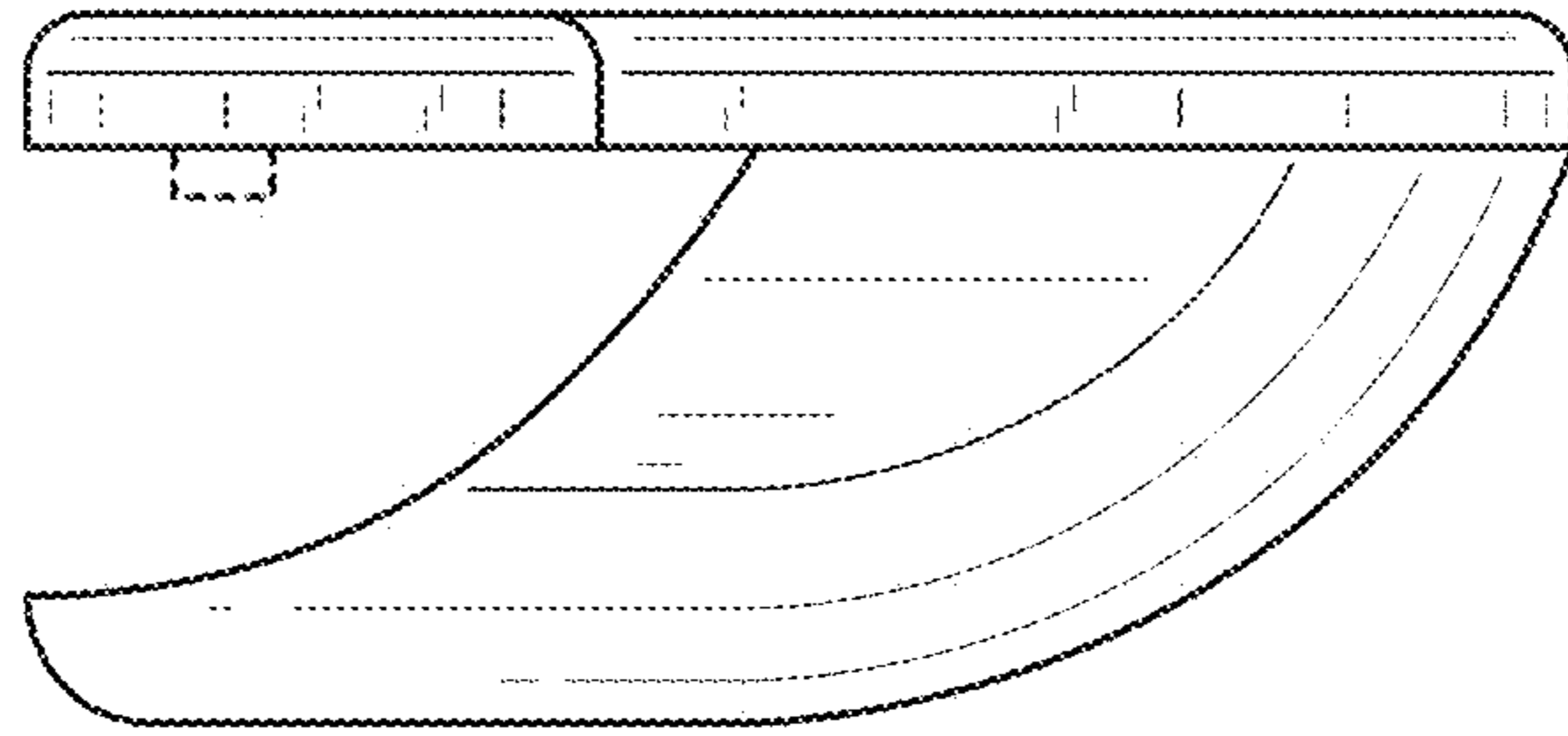


FIG. 4

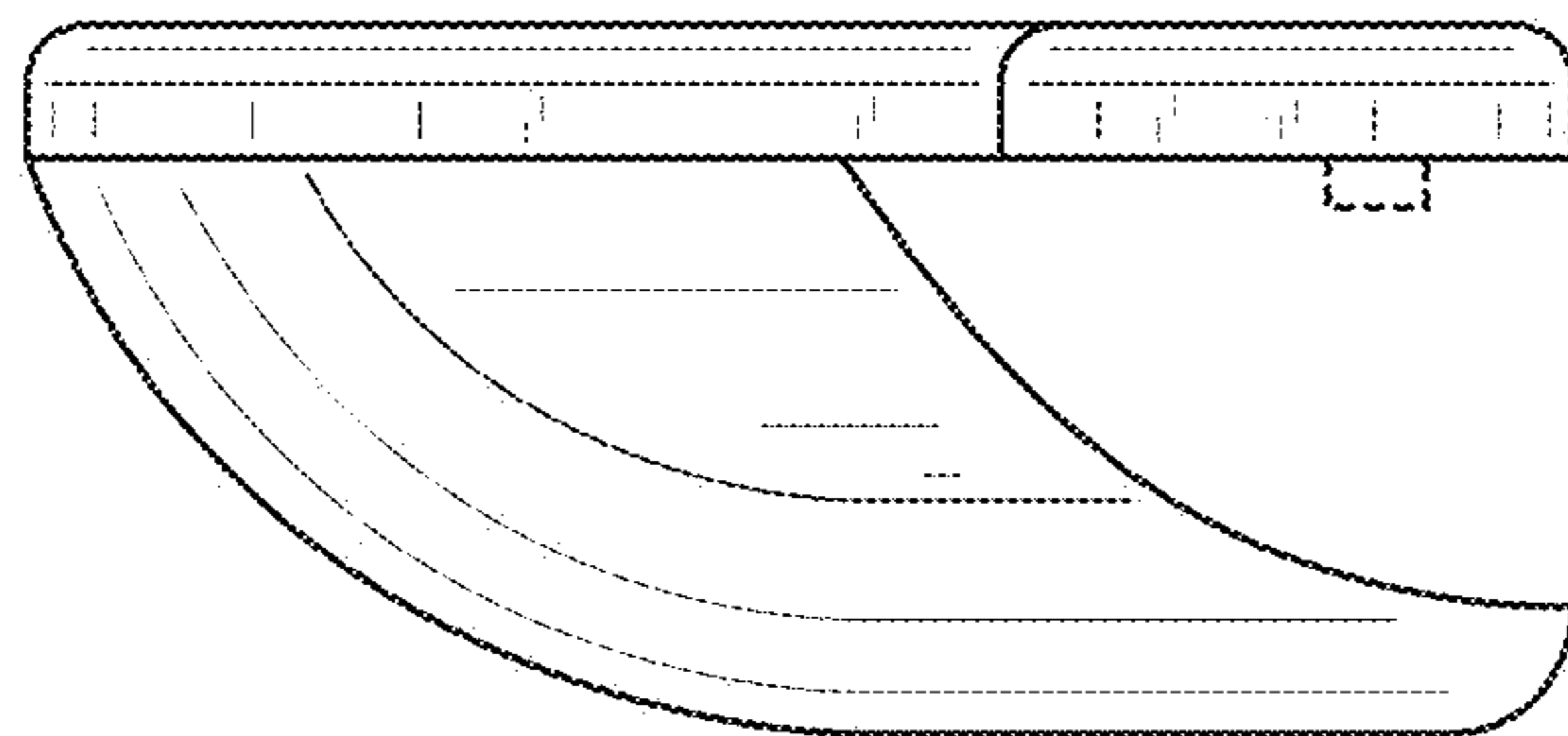


FIG. 5

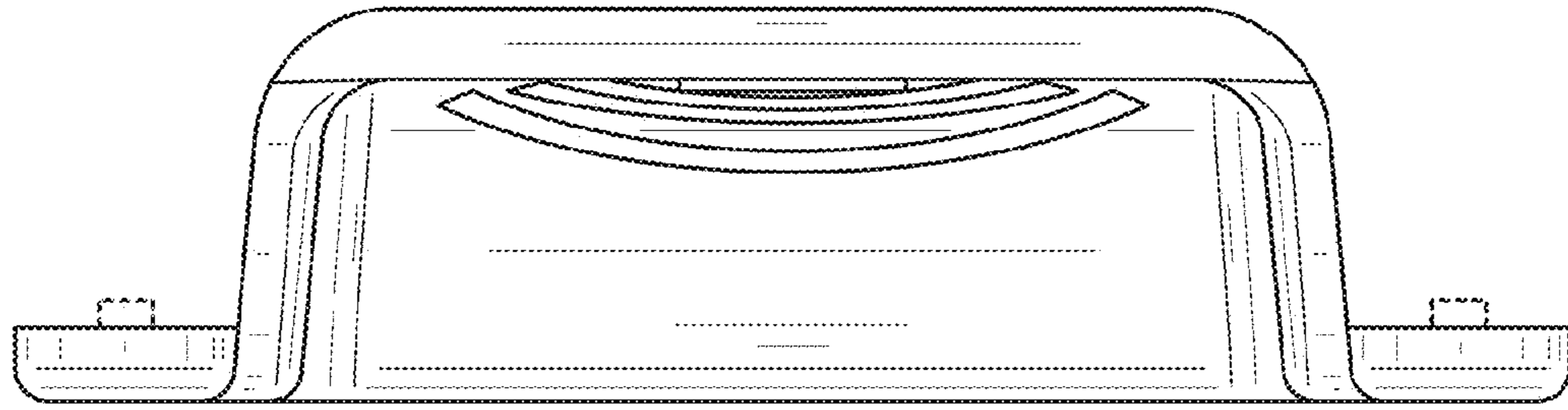


FIG. 6

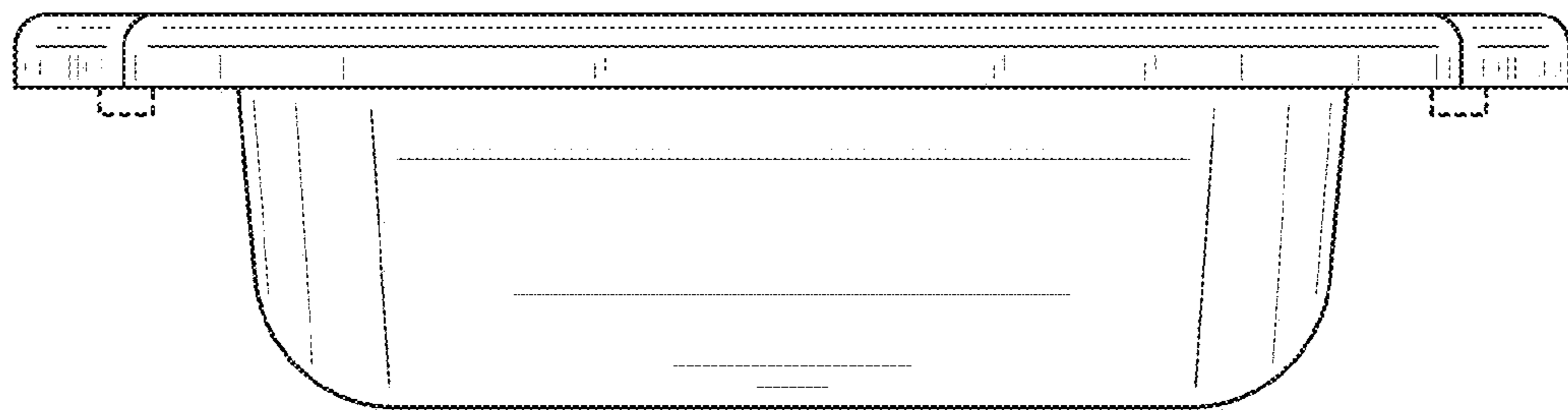


FIG. 7

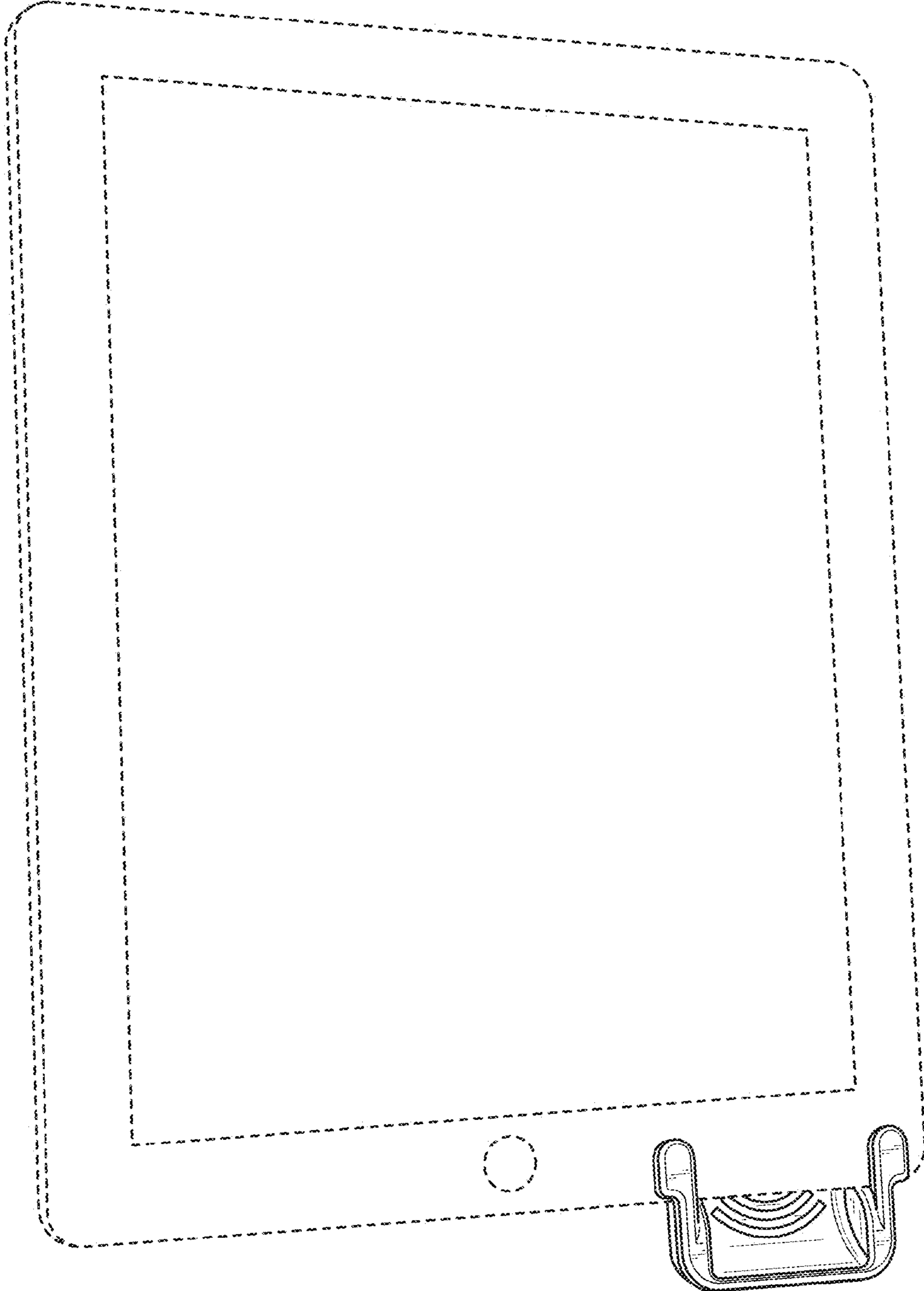


FIG. 8