



US00D685796S

(12) **United States Design Patent**
Paschke et al.

(10) **Patent No.:** **US D685,796 S**
(45) **Date of Patent:** **** Jul. 9, 2013**

(54) **ELECTRONIC DEVICE TERMINAL WITH HANDSET**

(75) Inventors: **Brian Dennis Paschke**, Toronto (CA);
Ian James Murchison, Toronto (CA);
Todd Andrew Wood, Toronto (CA);
Anders Fahrendorff, Ottawa (CA)

(73) Assignee: **Research In Motion Limited**, Waterloo, Ontario (CA)

(**) Term: **14 Years**

(21) Appl. No.: **29/409,253**

(22) Filed: **Dec. 21, 2011**

(51) **LOC (9) Cl.** **14-02**

(52) **U.S. Cl.**
USPC **D14/434**

(58) **Field of Classification Search**
USPC D14/432-434, 314, 204, 420, 421,
D14/447, 217, 138 R, 140, 142, 129, 130,
D14/133, 251-253; D13/107, 108, 118, 146;
248/346.03, 176.1; 320/107, 110, 112-115,
320/109; 361/600, 679.41, 679.31-679.33,
361/679.4, 679.43, 679.55, 679.58; 439/347,
439/534; 455/556.1-556.2, 557; D8/373
See application file for complete search history.

(56) **References Cited**

U.S. PATENT DOCUMENTS

5,248,264 A * 9/1993 Long et al. 439/347
D344,708 S * 3/1994 Ho D13/108

D353,371 S * 12/1994 Delhaes D14/149
5,619,397 A * 4/1997 Honda et al. 361/679.43
D411,835 S * 7/1999 Mizusugi et al. D14/434
5,933,812 A * 8/1999 Meyer et al. 705/15
6,644,611 B1 * 11/2003 Tai 248/292.13
D487,897 S * 3/2004 Huang et al. D14/434
D598,453 S * 8/2009 Solomon et al. D14/434
D615,066 S * 5/2010 Huang et al. D14/142
7,708,240 B2 * 5/2010 Homer et al. 248/130
D642,123 S * 7/2011 Joung D13/108

* cited by examiner

Primary Examiner — Freda S Nunn

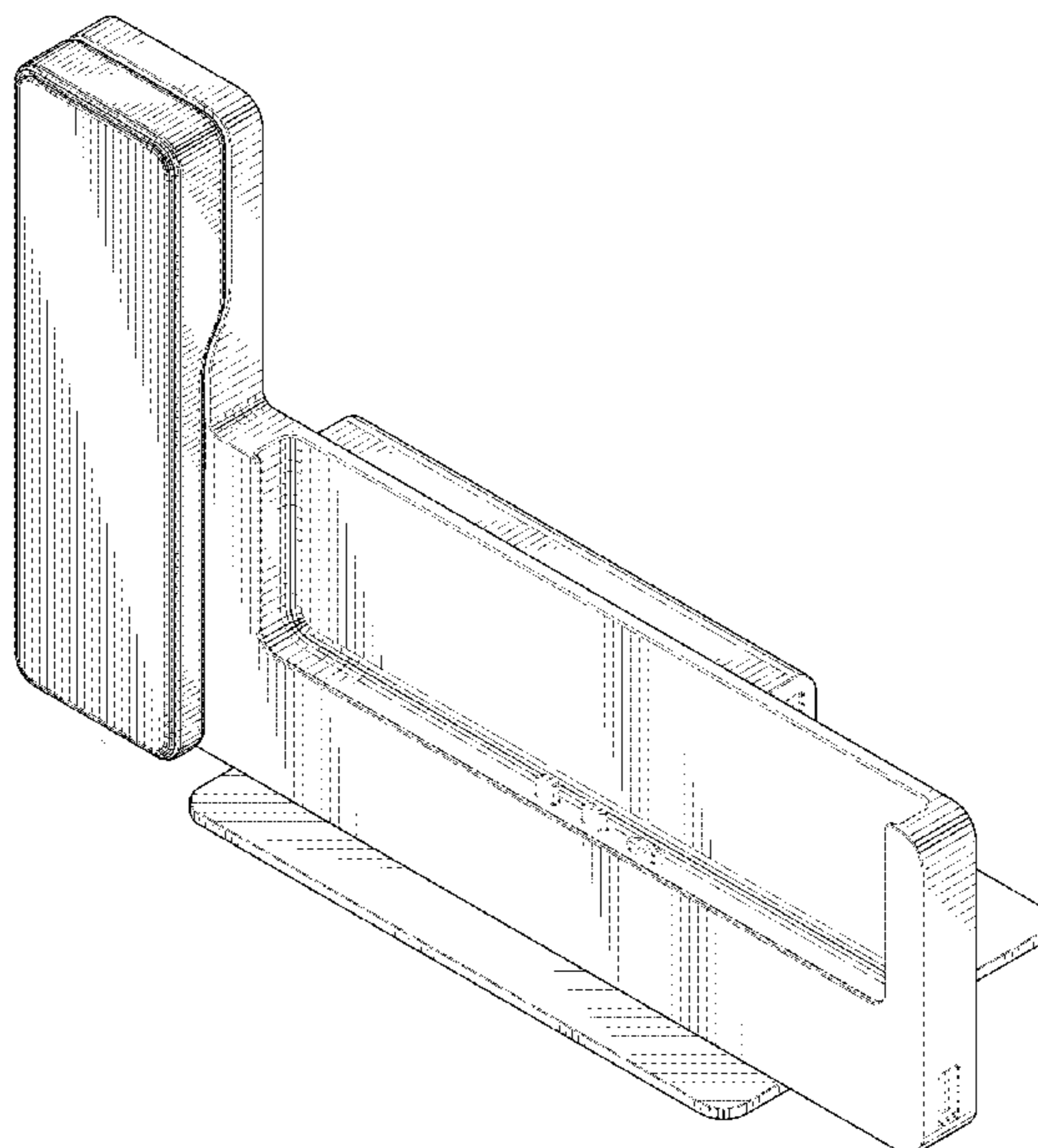
(57) **CLAIM**

We claim the ornamental design for an electronic device terminal with handset, as shown and described.

DESCRIPTION

FIG. 1 is a front perspective view of an electronic device terminal with handset;
FIG. 2 is a back perspective view of the electronic device terminal handset;
FIG. 3 is a front elevational view thereof;
FIG. 4 is a back elevational view thereof;
FIG. 5 is a left elevational view thereof;
FIG. 6 is a right elevational view thereof;
FIG. 7 is a top plan view thereof; and,
FIG. 8 is a bottom plan view thereof.
The broken lines shown in the drawings of the electronic device terminal with handset are for the purpose of illustrating portions of the article and form no part of the claimed design.

1 Claim, 6 Drawing Sheets



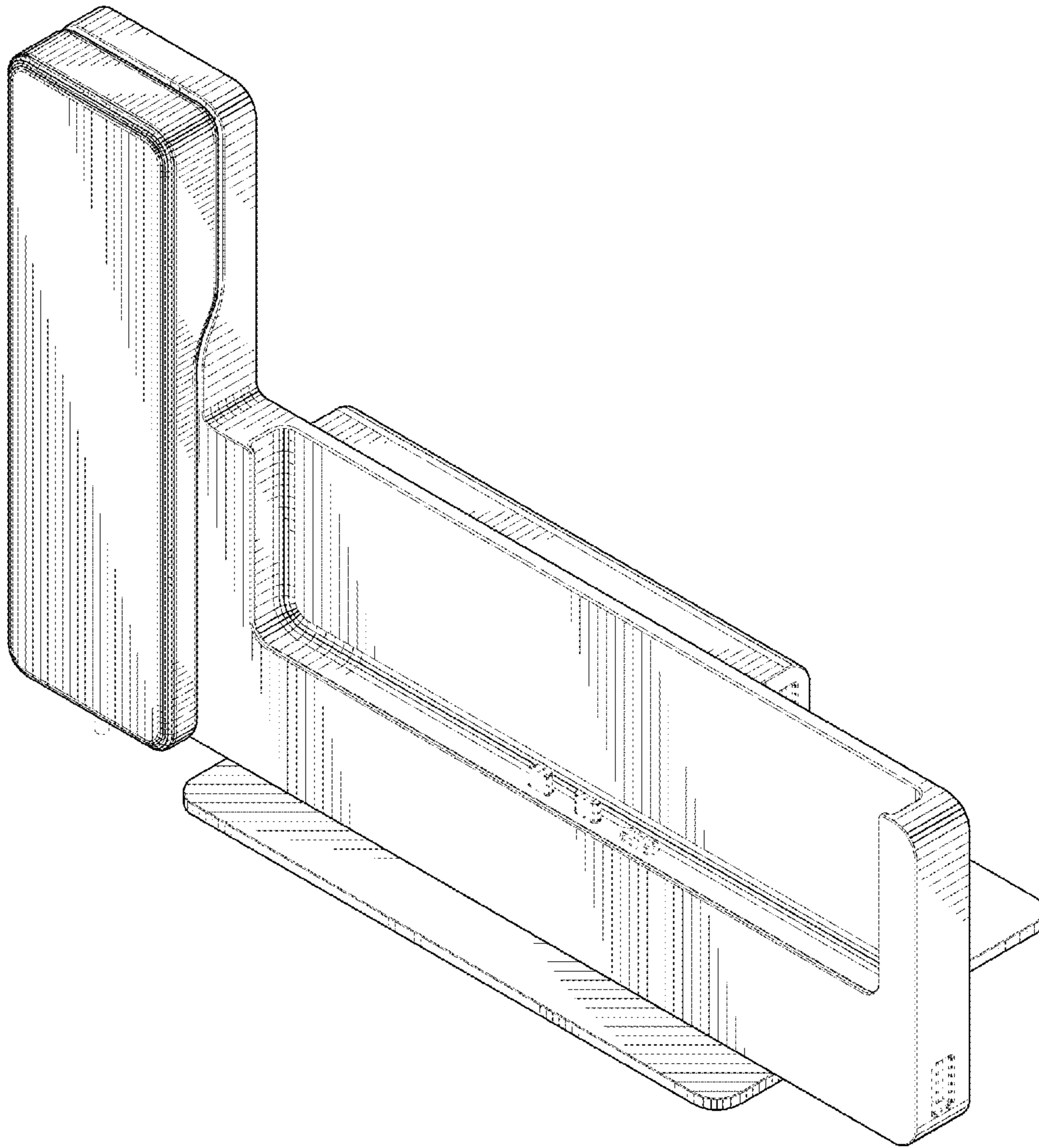


FIG.1

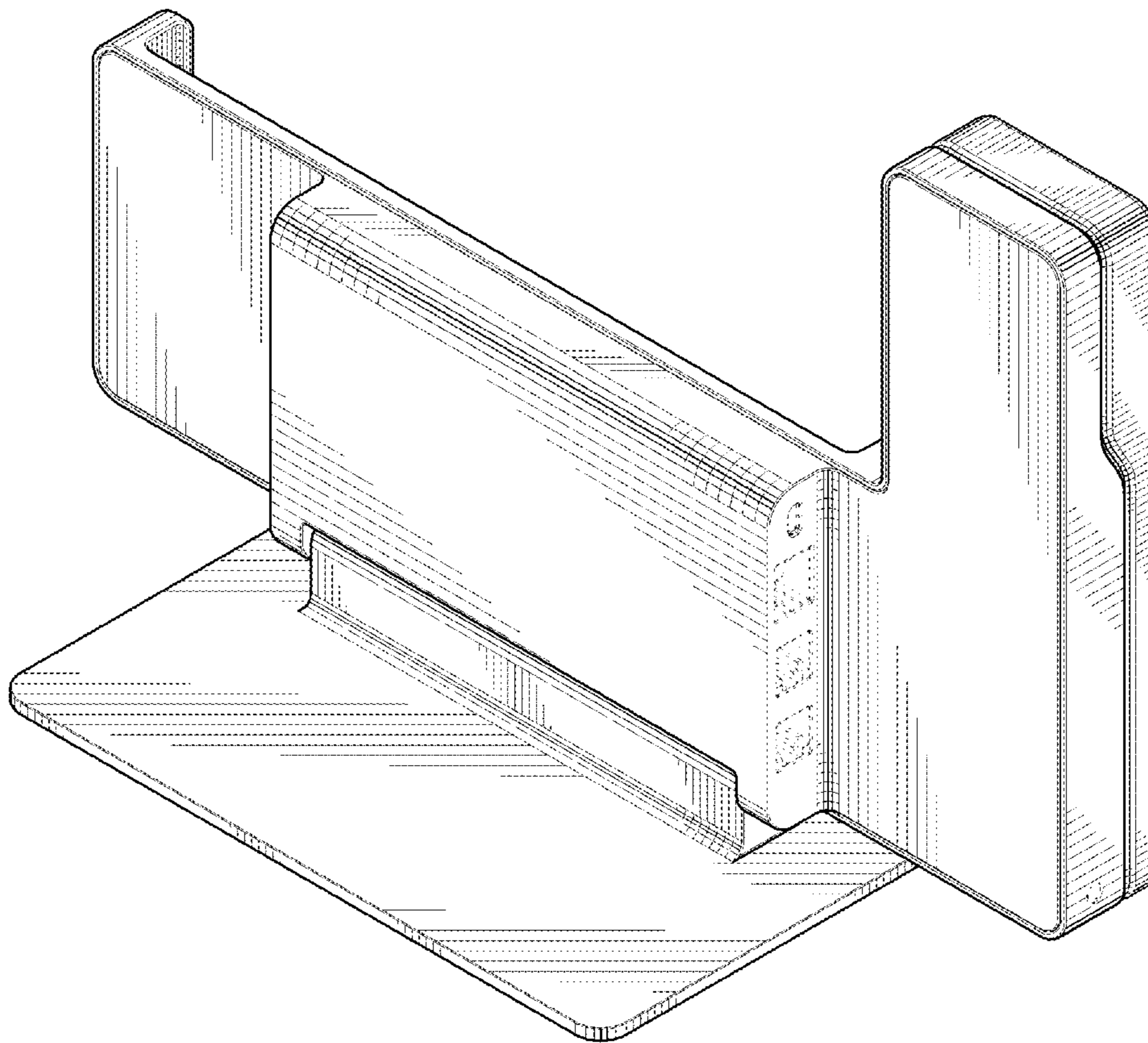


FIG.2

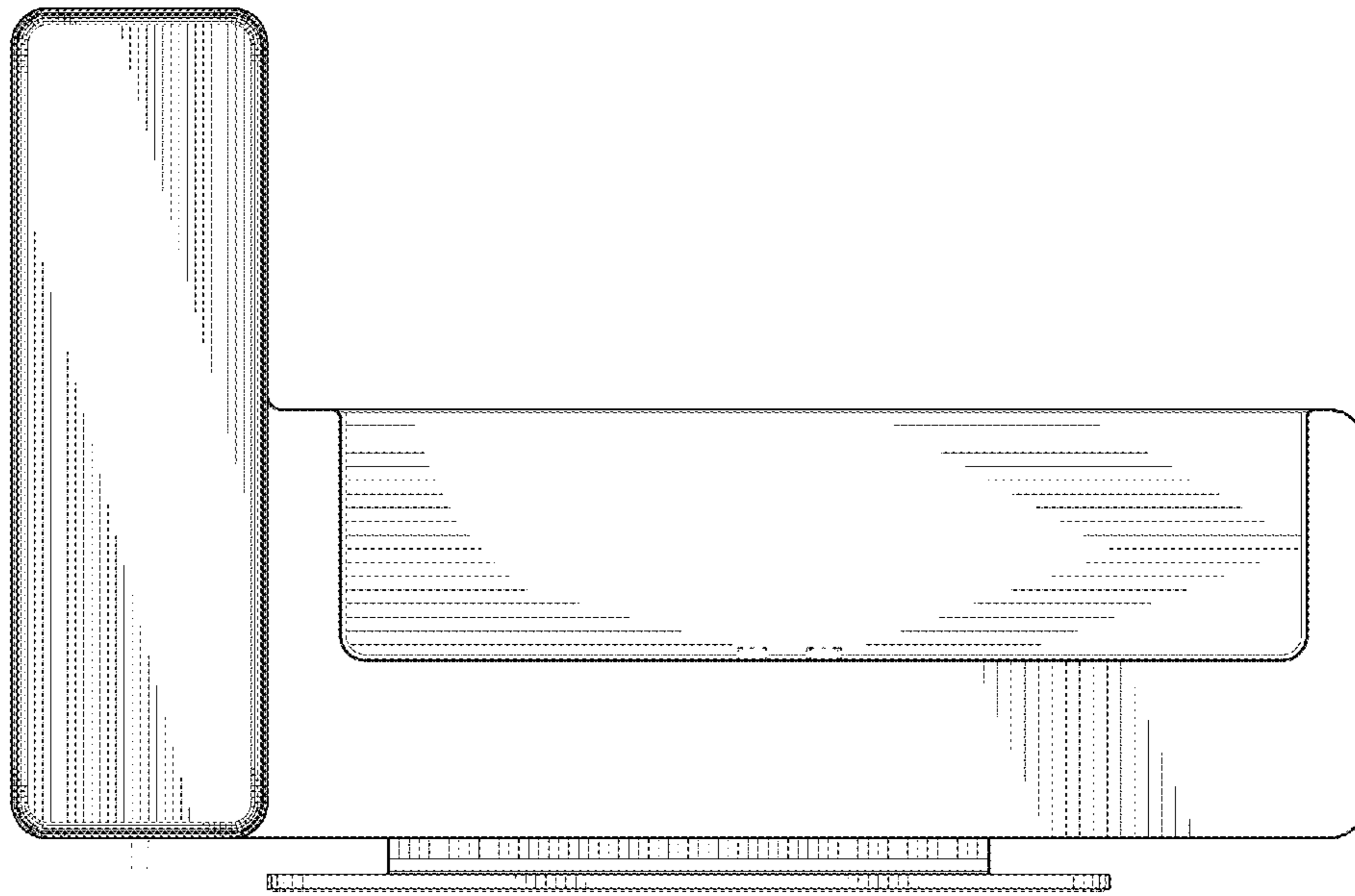


FIG.3

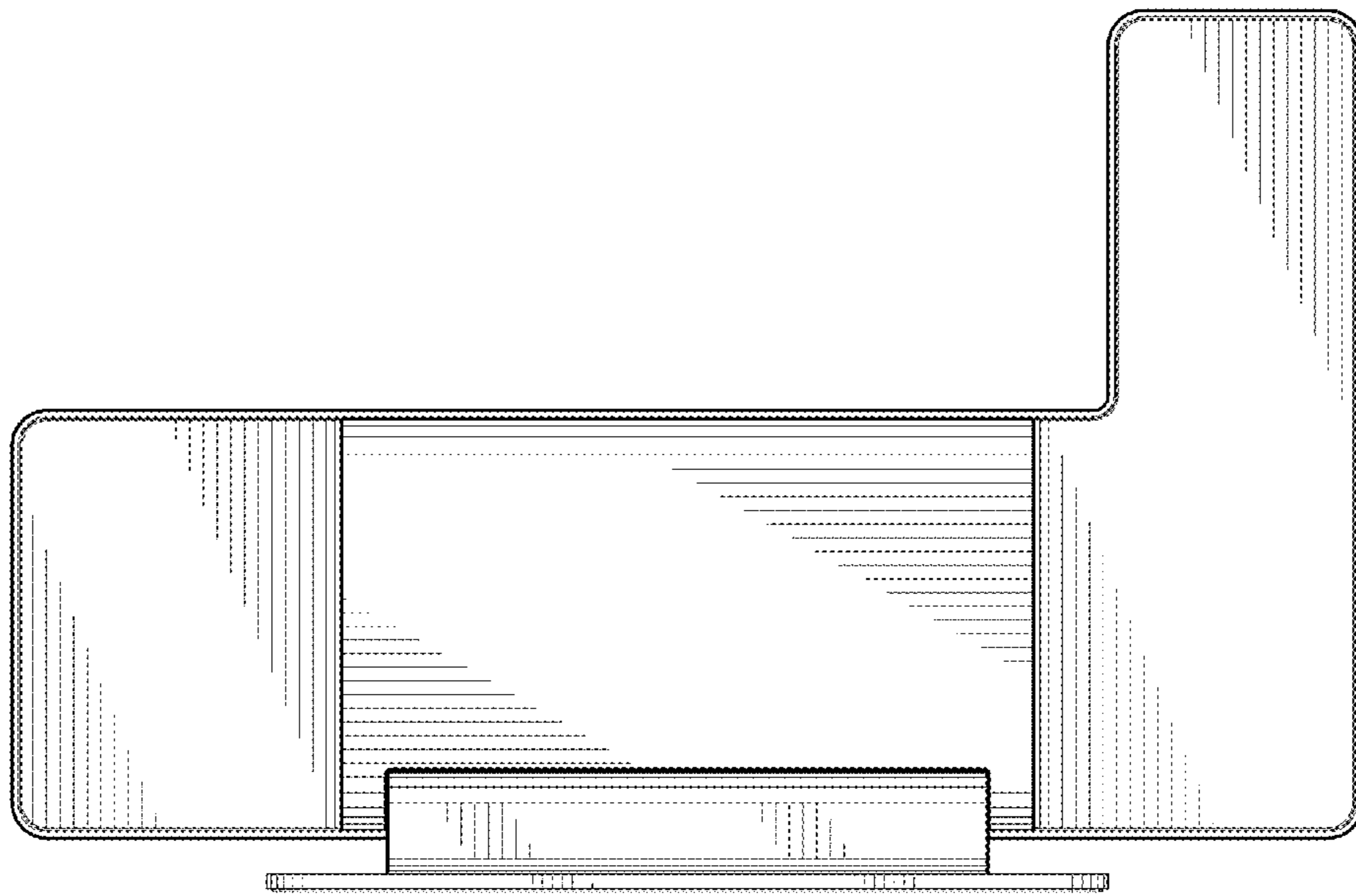


FIG.4

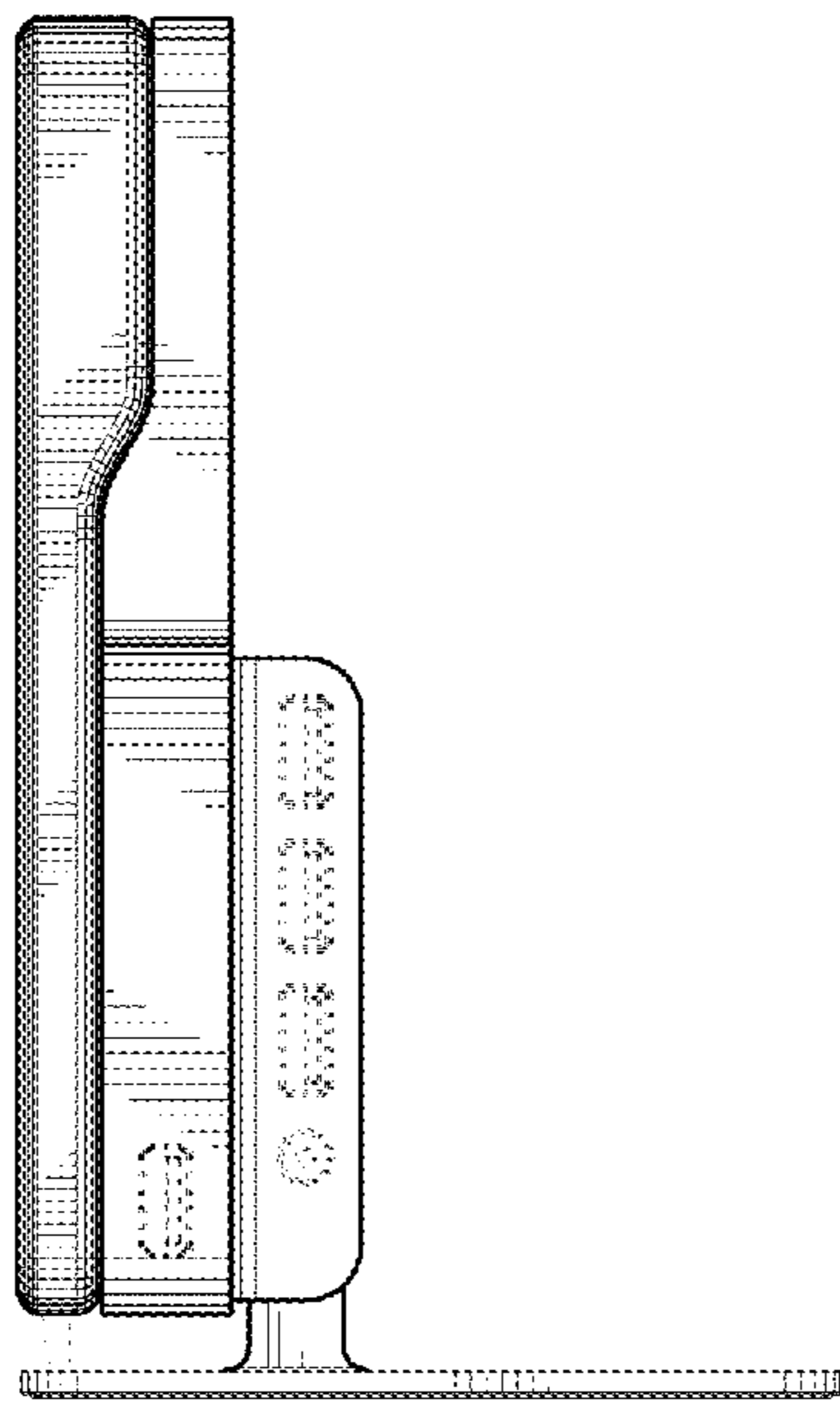


FIG. 5

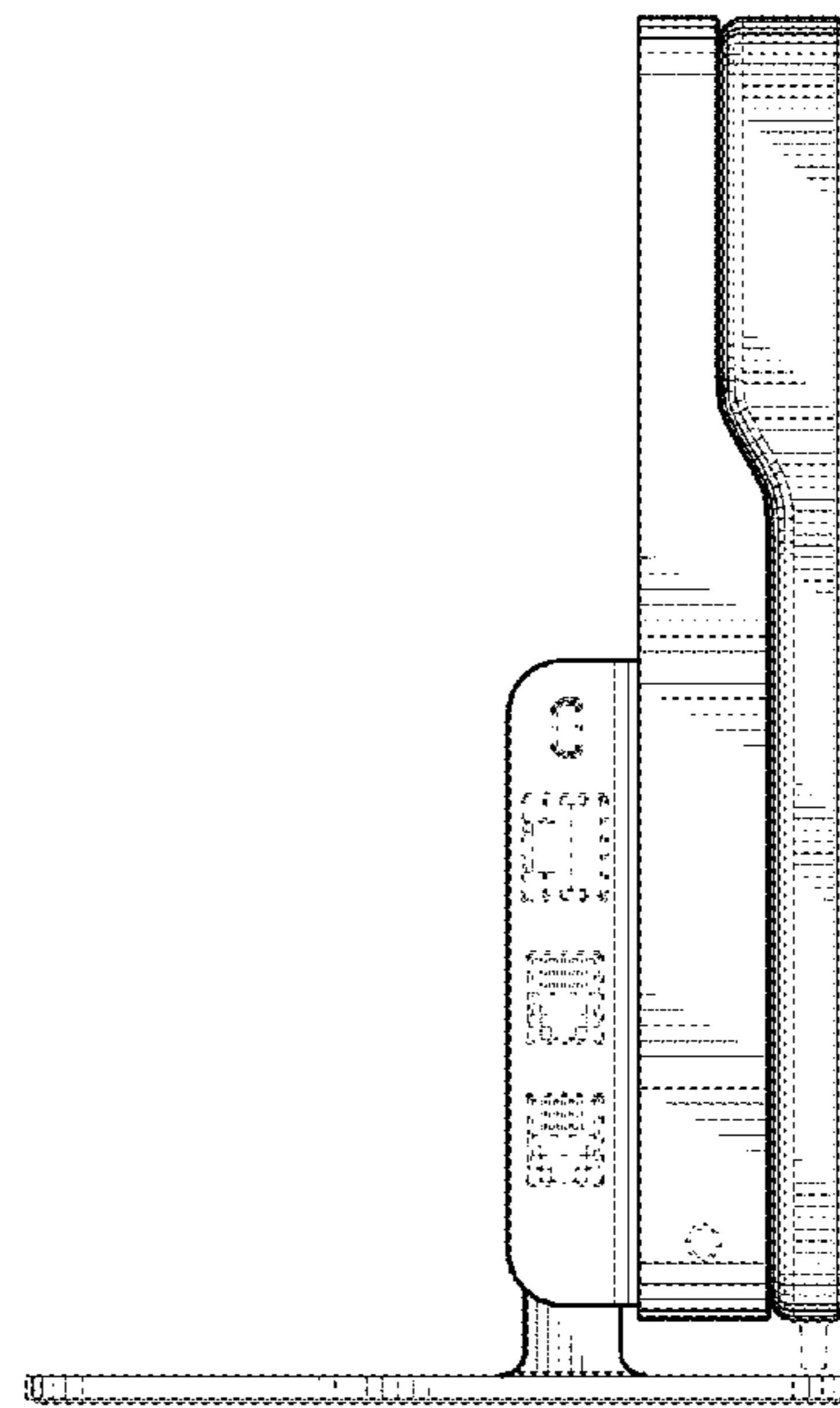


FIG. 6

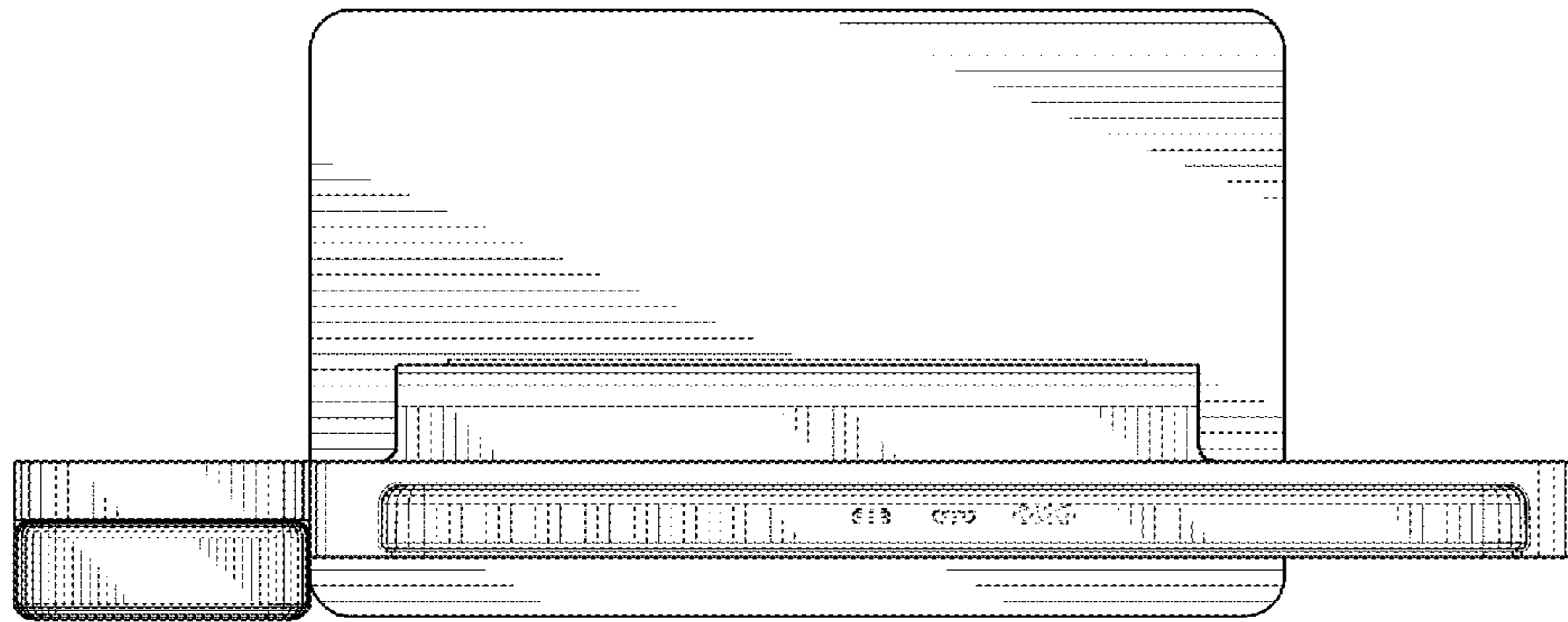


FIG. 7

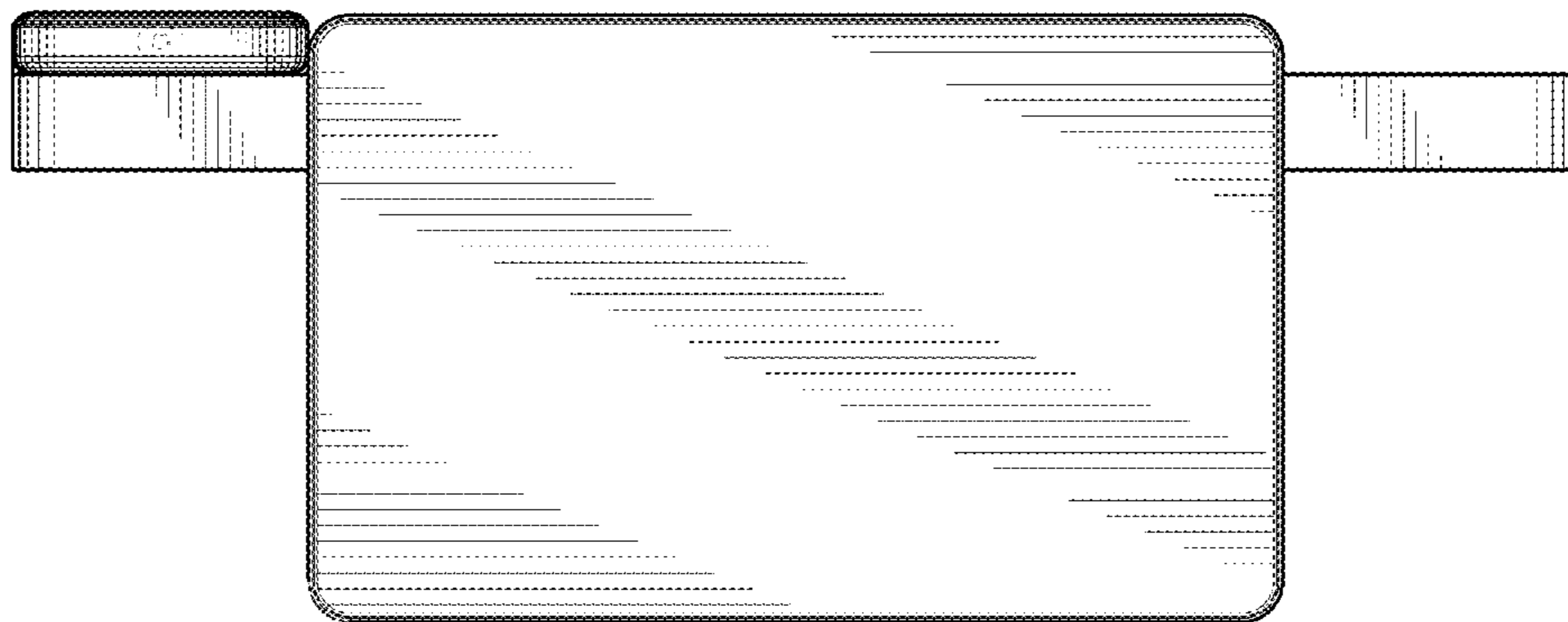


FIG. 8