



US00D685795S

(12) **United States Design Patent**  
**Paschke et al.**

(10) **Patent No.:** **US D685,795 S**

(45) **Date of Patent:** **\*\* Jul. 9, 2013**

(54) **ELECTRONIC DEVICE TERMINAL**

(75) Inventors: **Brian Dennis Paschke**, Toronto (CA);  
**Ian James Murchison**, Toronto (CA);  
**Todd Andrew Wood**, Toronto (CA);  
**Anders Fahrenhorff**, Ottawa (CA)

(73) Assignee: **Research In Motion Limited**, Waterloo,  
Ontario (CA)

(\*\*) Term: **14 Years**

(21) Appl. No.: **29/409,250**

(22) Filed: **Dec. 21, 2011**

(51) **LOC (9) Cl.** ..... **14-02**

(52) **U.S. Cl.**  
USPC ..... **D14/434**

(58) **Field of Classification Search**  
USPC ..... D14/432-434, 314, 204, 420, 421,  
D14/447, 217, 138 R, 140, 142, 129, 130,  
D14/133, 251-253; D13/107, 108, 118, 146;  
248/346.03, 176.1; 320/107, 110, 112-115,  
320/109; 361/600, 679.41, 679.31-679.33,  
361/679.4, 679.43, 679.55, 679.58; 439/347,  
439/534; 455/556.1-556.2, 557; D8/373  
See application file for complete search history.

(56) **References Cited**

**U.S. PATENT DOCUMENTS**

5,248,264 A \* 9/1993 Long et al. .... 439/347  
D344,708 S \* 3/1994 Ho ..... D13/108

D353,371 S \* 12/1994 Delhaes ..... D14/149  
5,619,397 A \* 4/1997 Honda et al. .... 361/679.43  
D411,835 S \* 7/1999 Mizusugi et al. .... D14/434  
5,933,812 A \* 8/1999 Meyer et al. .... 705/15  
6,644,611 B1 \* 11/2003 Tai ..... 248/292.13  
D487,897 S \* 3/2004 Huang et al. .... D14/434  
D598,453 S \* 8/2009 Solomon et al. .... D14/434  
D615,066 S \* 5/2010 Huang et al. .... D14/142  
7,708,240 B2 \* 5/2010 Homer et al. .... 248/130  
D642,123 S \* 7/2011 Joung ..... D13/108

\* cited by examiner

*Primary Examiner* — Freda S Nunn

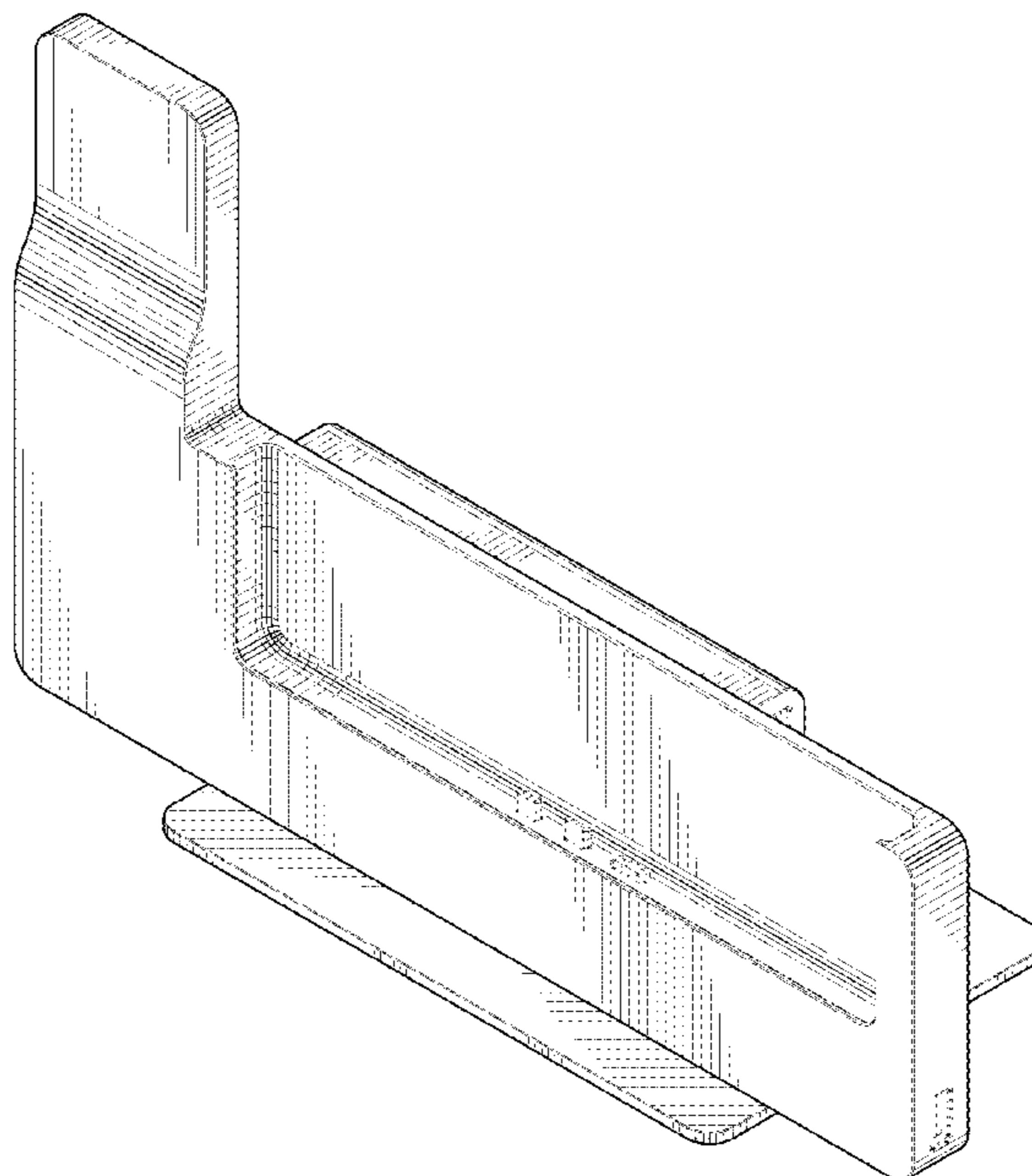
(57) **CLAIM**

We claim the ornamental design for an electronic device terminal, as shown and described.

**DESCRIPTION**

FIG. 1 is a front perspective view of an electronic device terminal;  
FIG. 2 is a back perspective view of the electronic device terminal;  
FIG. 3 is a front elevational view thereof;  
FIG. 4 is a back elevational view thereof;  
FIG. 5 is a left elevational view thereof;  
FIG. 6 is a right elevational view thereof;  
FIG. 7 is a top plan view thereof; and,  
FIG. 8 is a bottom plan view thereof.  
The broken lines shown in the drawings of the electronic device terminal are for the purpose of illustrating portions of the article and form no part of the claimed design.

**1 Claim, 6 Drawing Sheets**



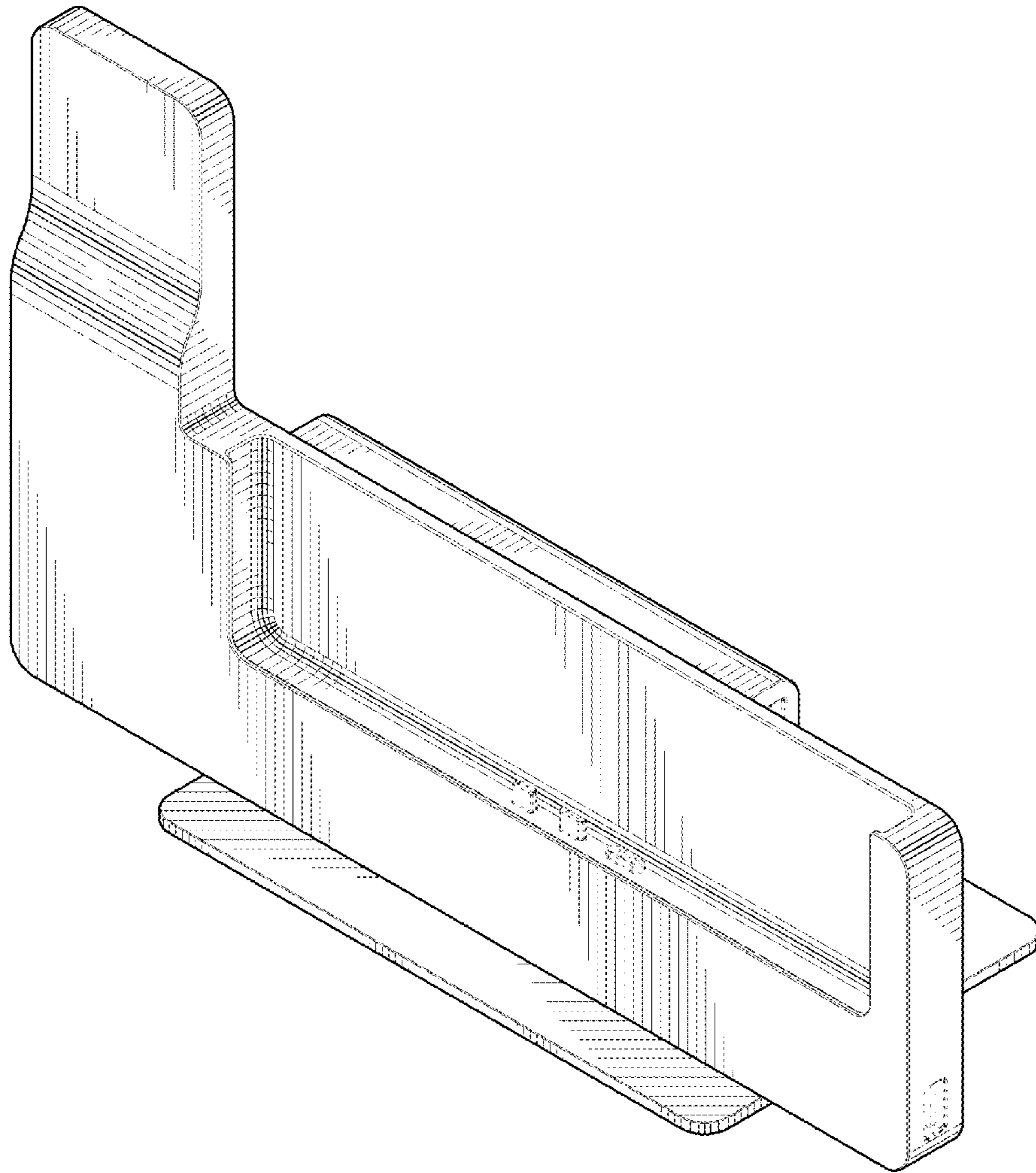


FIG.1

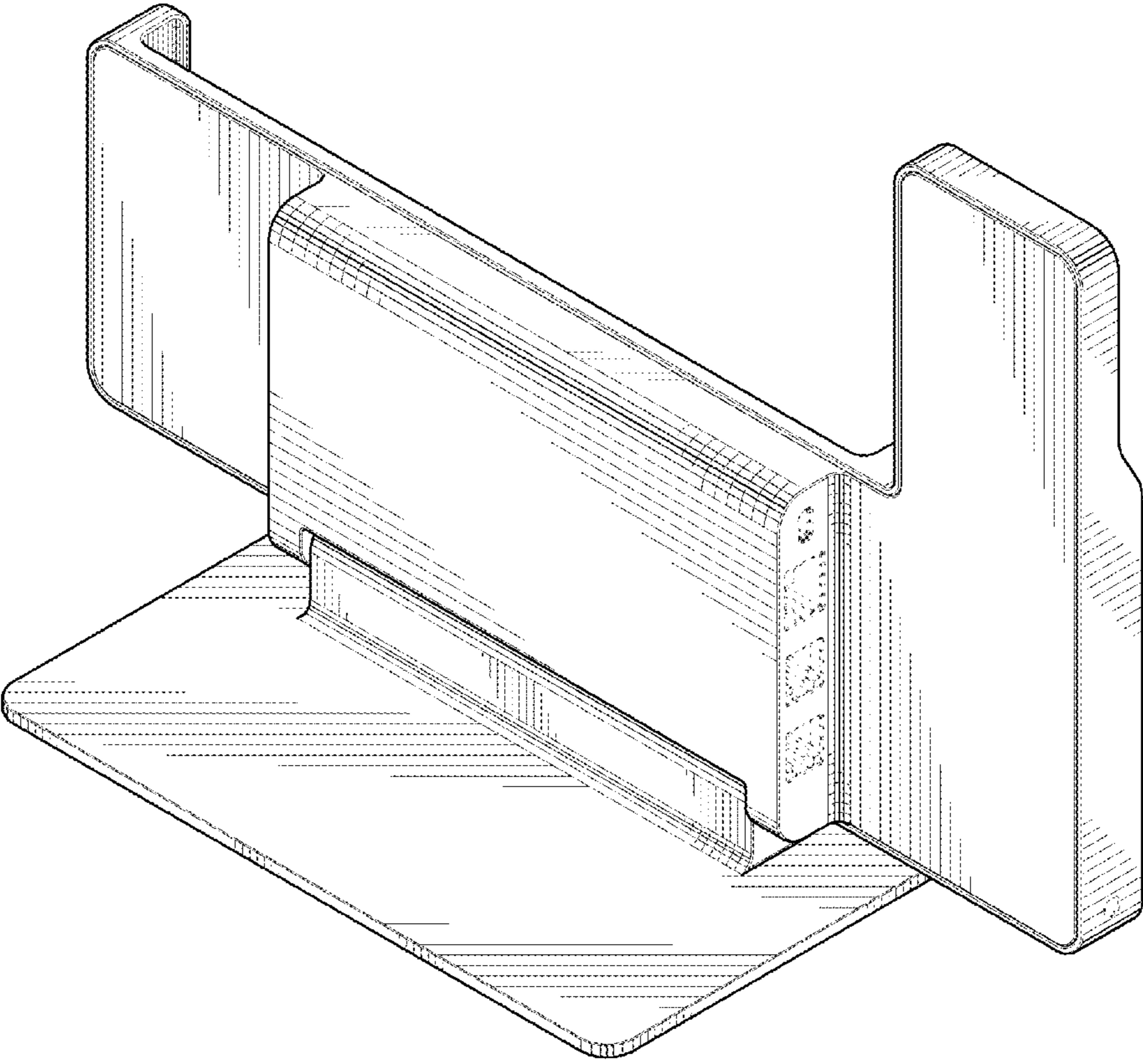


FIG.2

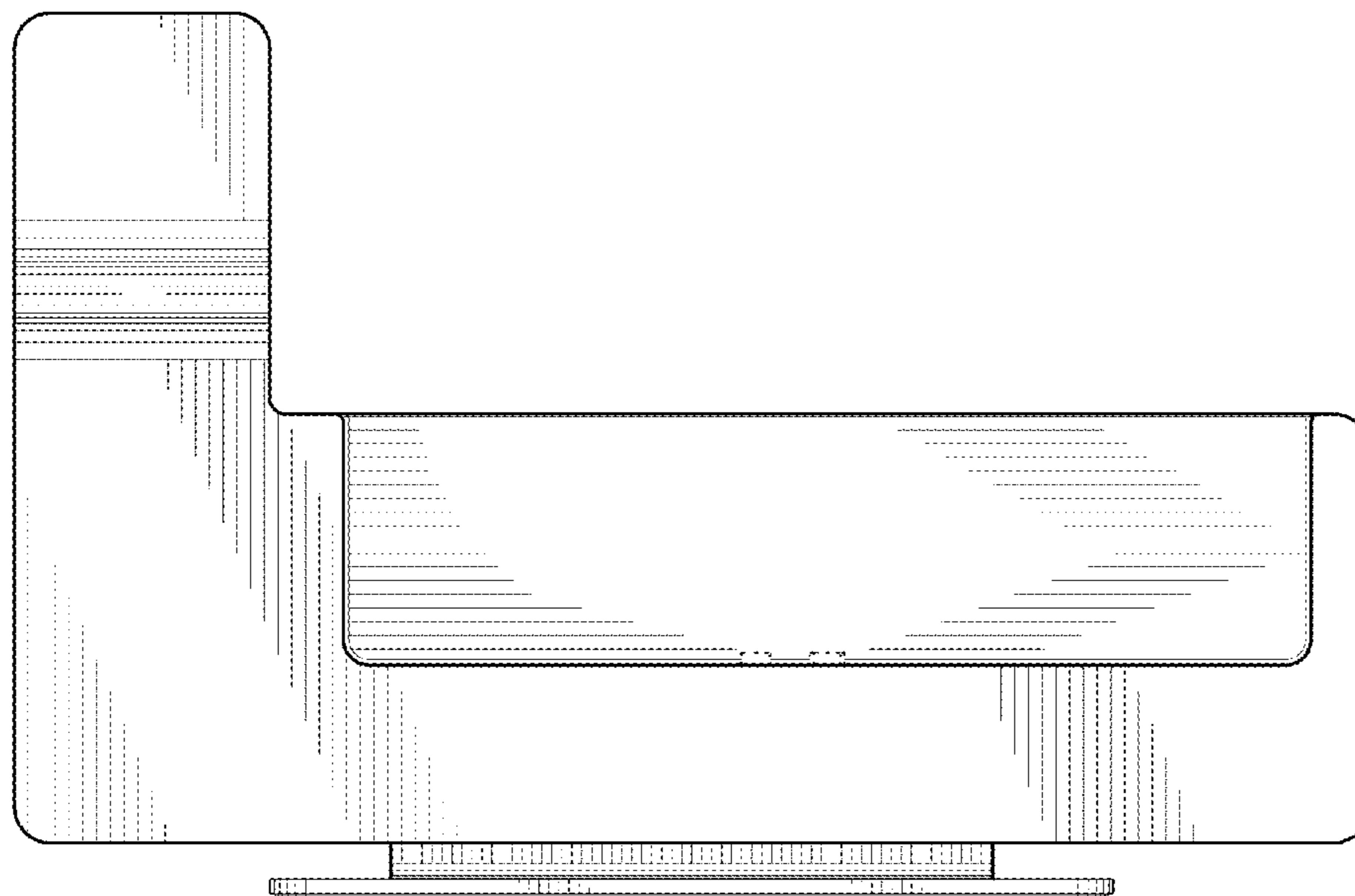


FIG.3

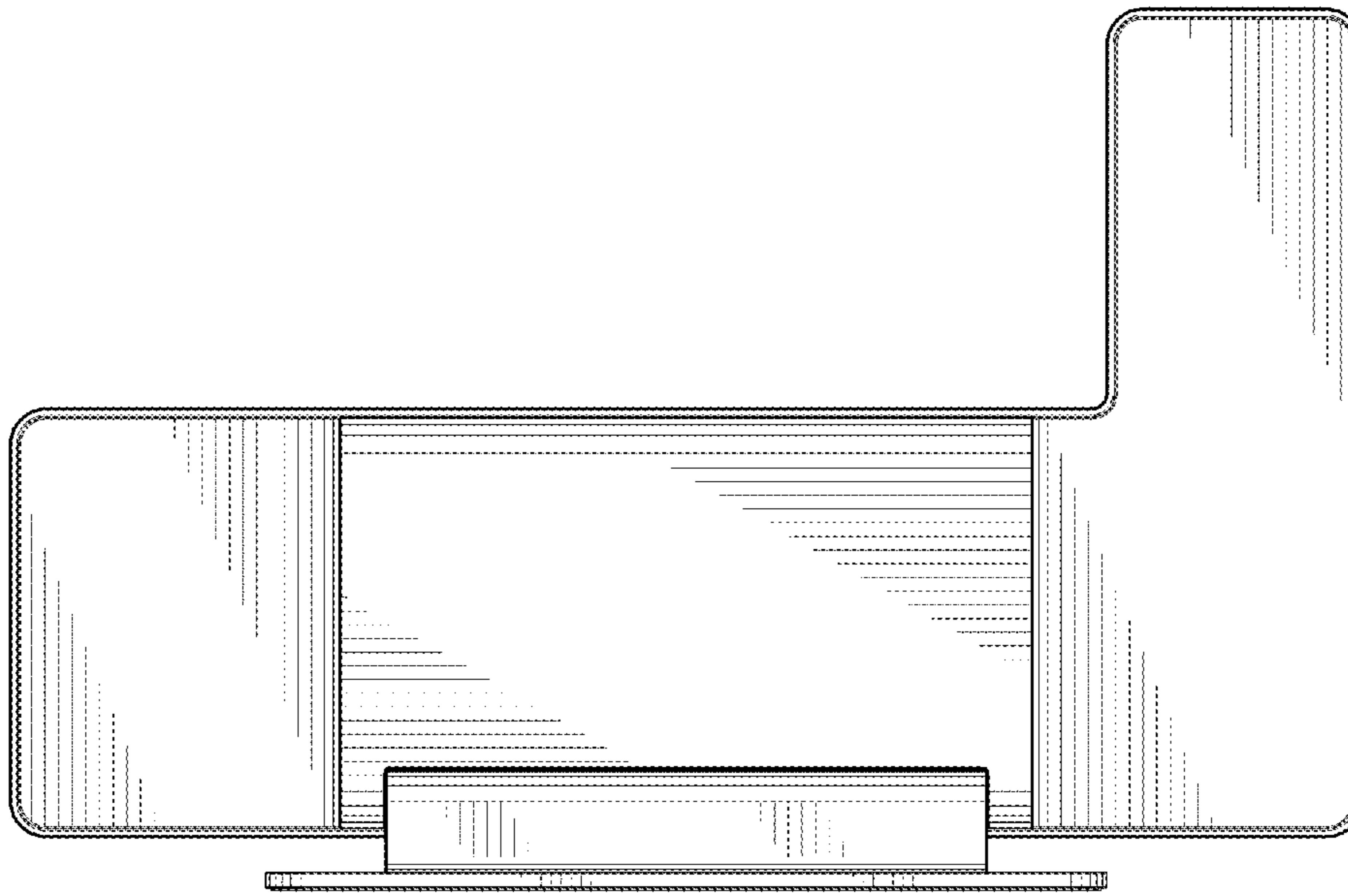


FIG.4

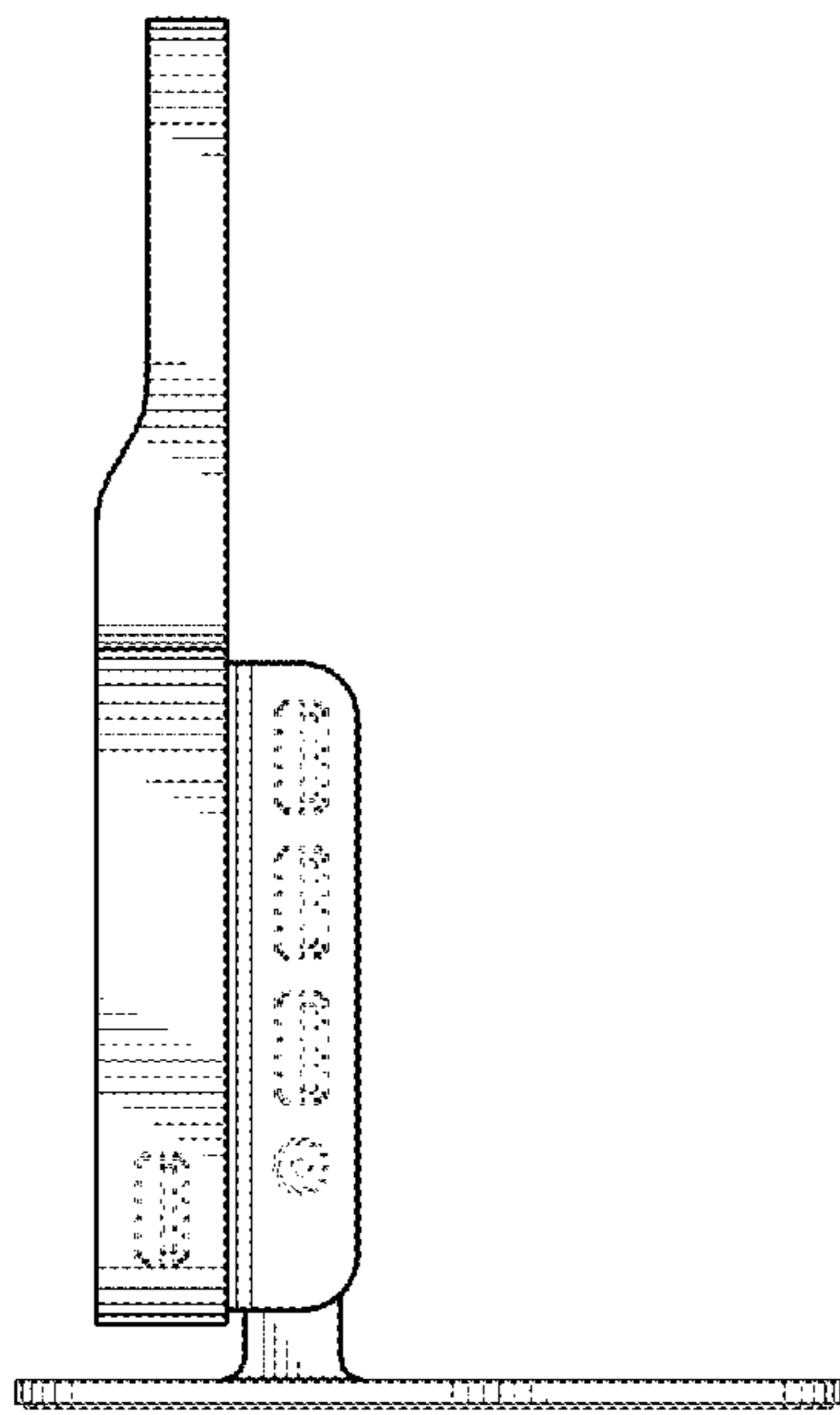


FIG. 5

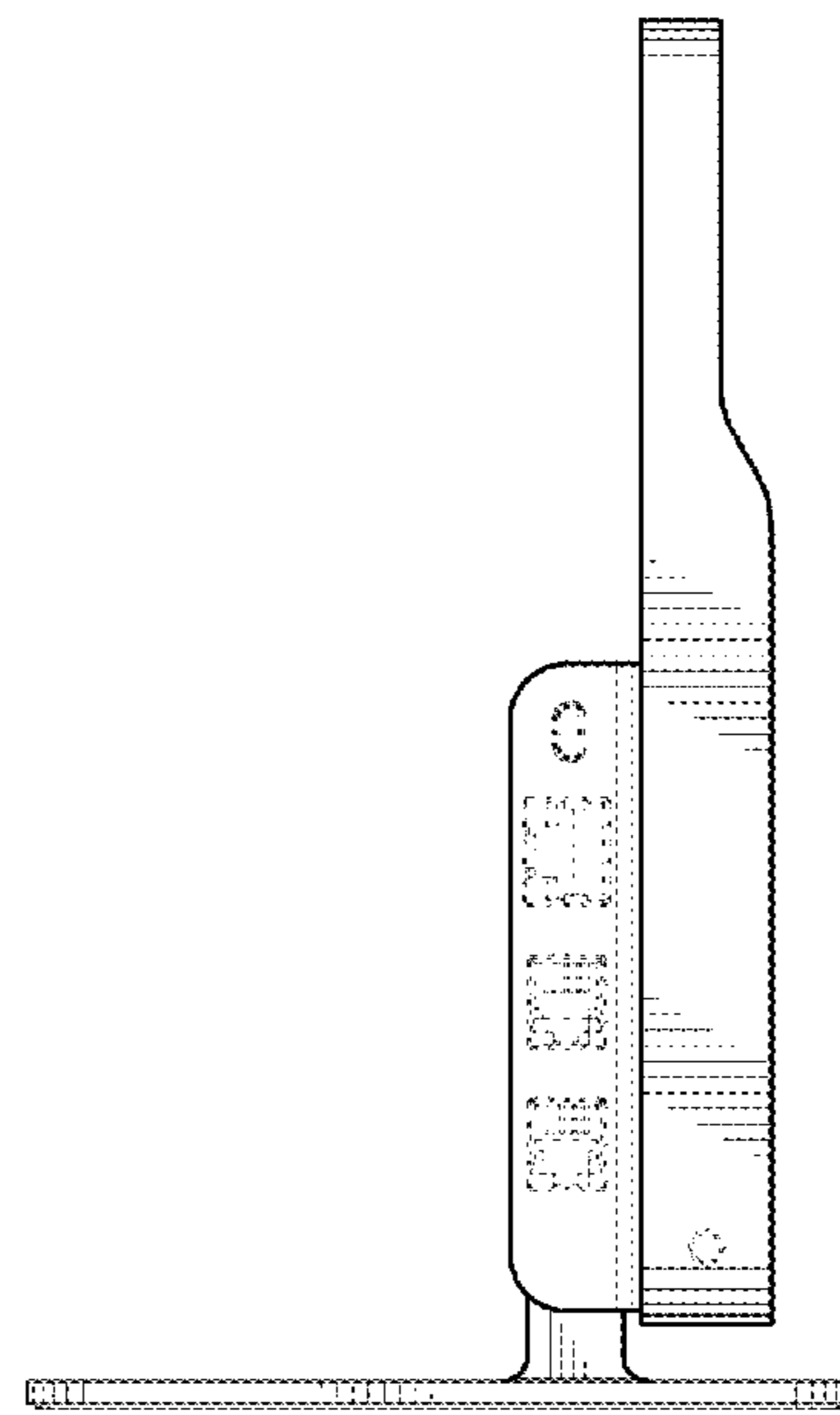


FIG. 6

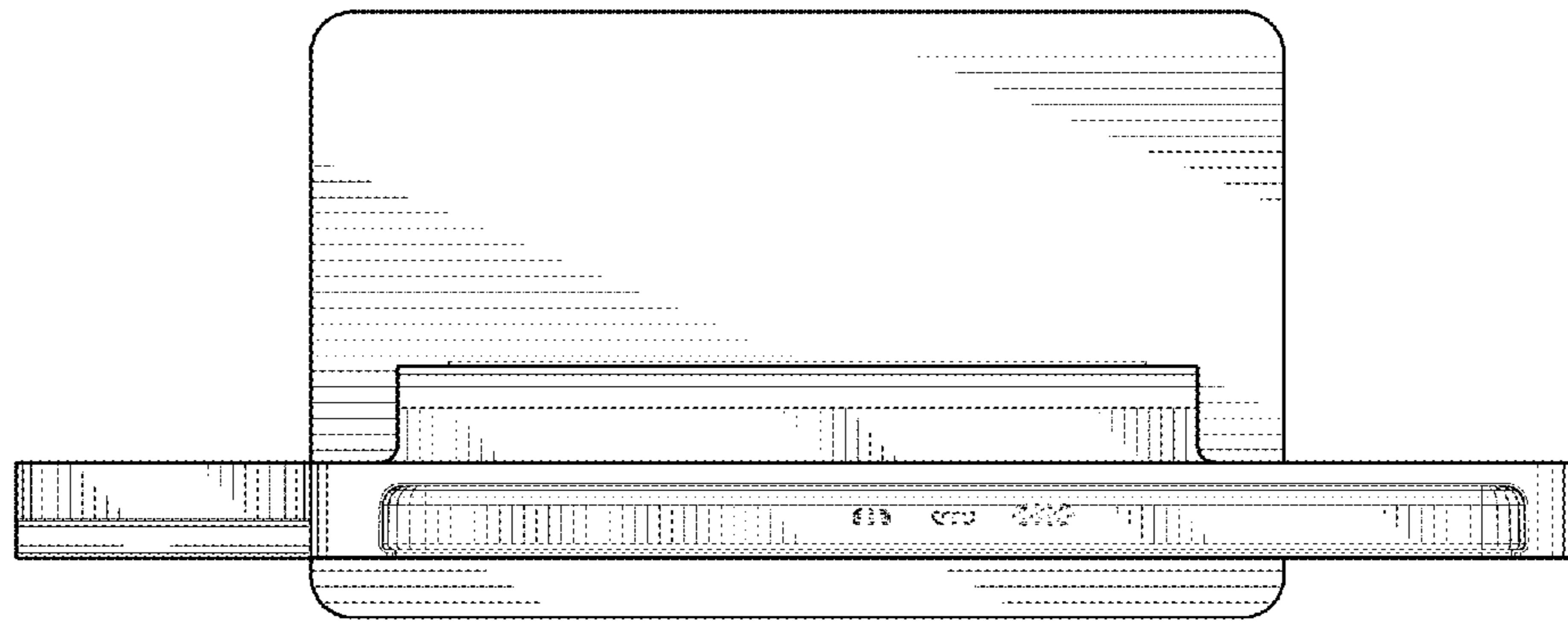


FIG. 7

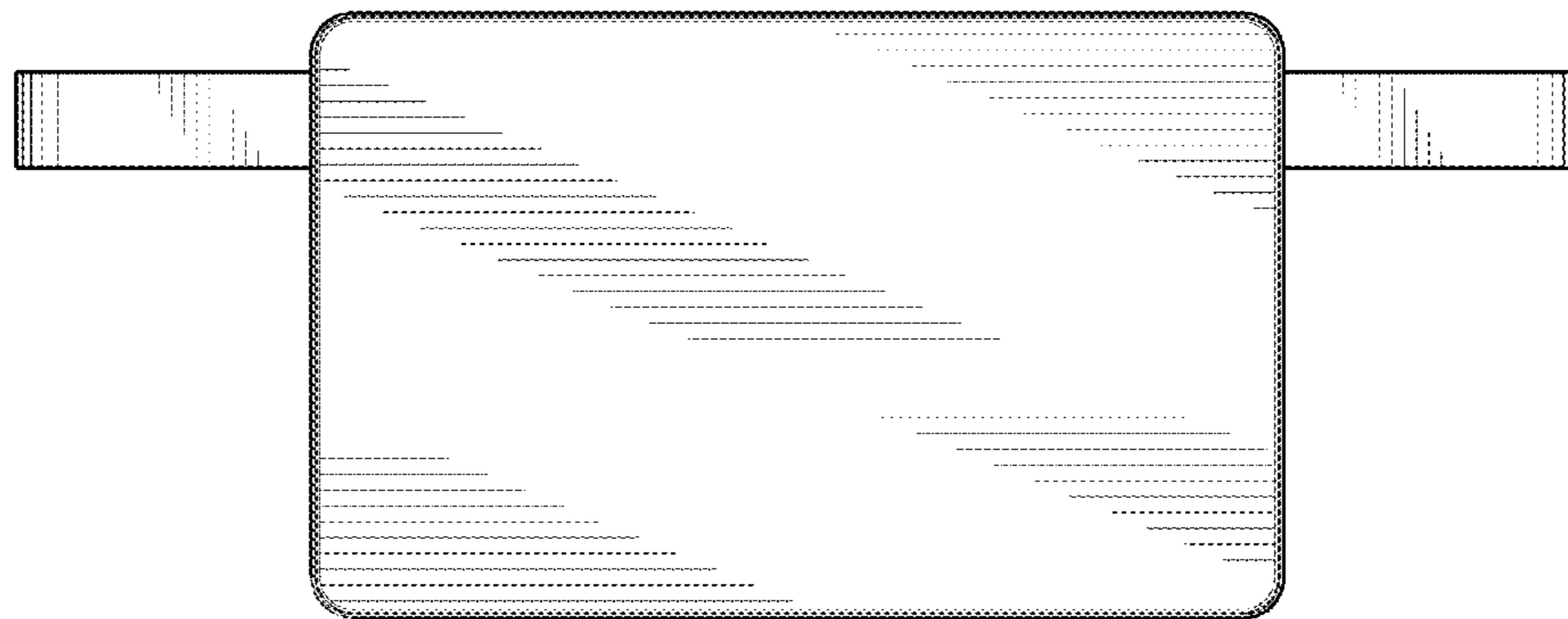


FIG. 8