



US00D685788S

(12) **United States Design Patent**
Lee et al.

(10) **Patent No.:** **US D685,788 S**
(45) **Date of Patent:** **** Jul. 9, 2013**

(54) **MONITOR**

(75) Inventors: **Jung-Hyun Lee**, Seoul (KR); **Tae-Yeon Won**, Seoul (KR)

(73) Assignee: **Samsung Electronics Co., Ltd.**, Suwon, Kyunggi-do (KR)

(**) Term: **14 Years**

(21) Appl. No.: **29/422,328**

(22) Filed: **May 18, 2012**

(51) **LOC (9) Cl.** **14-02**

(52) **U.S. Cl.**
USPC **D14/374**

(58) **Field of Classification Search**
USPC ... D14/371-375, 125-129, 336, 337; 341/12; 345/104, 156, 168, 173; 348/180, 184, 325, 348/739; 349/1, 2, 11, 62; 361/679.05-679.07, 361/679.21-679.23; D6/300, 308
See application file for complete search history.

(56) **References Cited**

U.S. PATENT DOCUMENTS

D494,941	S	*	8/2004	Kim	D14/126
D572,680	S	*	7/2008	Lee et al.	D14/126
D573,562	S	*	7/2008	Lee et al.	D14/126
D576,622	S		9/2008	Park		
D578,972	S	*	10/2008	Oh et al.	D14/126
D579,889	S	*	11/2008	Noh	D14/129
D586,811	S		2/2009	Kim et al.		
D600,246	S	*	9/2009	Yuuki et al.	D14/451
D605,150	S	*	12/2009	Kim	D14/126
D610,143	S		2/2010	Park et al.		

D619,979	S	*	7/2010	Lee et al.	D14/126
D622,235	S		8/2010	Lee et al.		
D630,209	S		1/2011	Lee et al.		
D632,291	S	*	2/2011	Park	D14/374
D651,602	S	*	1/2012	Andre et al.	D14/374
2007/0153454	A1	*	7/2007	Chang et al.	361/681

OTHER PUBLICATIONS

U.S. Appl. No. 29/422,341, Applicant: Jung-Hyun Lee, et al., filed May 18, 2012 entitled Monitor.
U.S. Appl. No. 29/422,326, Applicant: Jung-Hyun Lee, et al., filed May 18, 2012 entitled Monitor.
U.S. Appl. No. 29/422,317, Applicant: Jung-Hyun Lee, et al., filed May 18, 2012 entitled Monitor.

* cited by examiner

Primary Examiner — Freda S Nunn

(74) *Attorney, Agent, or Firm* — Flynn, Thiel, Boutell & Tanis, P.C.

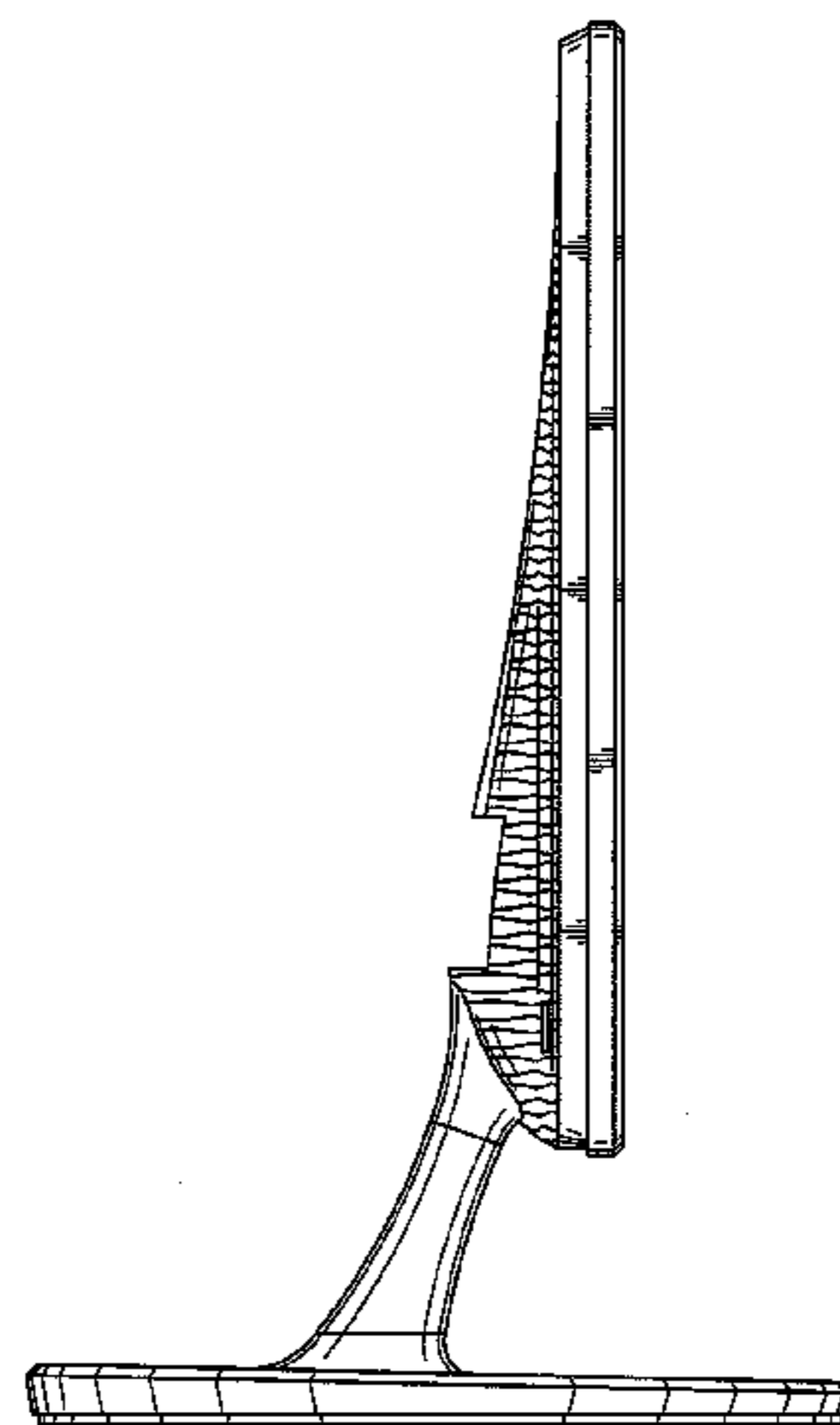
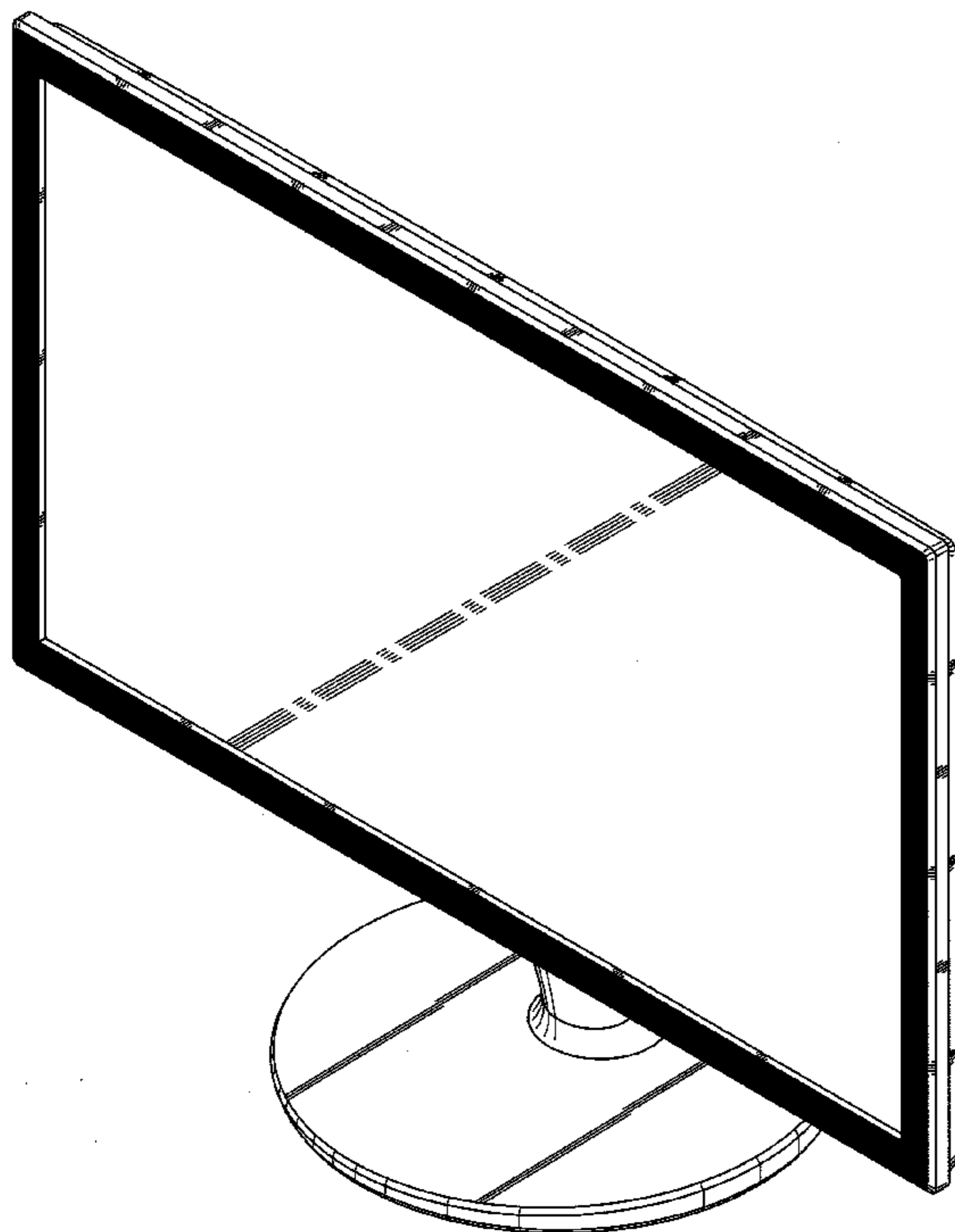
(57) **CLAIM**

The ornamental design for a monitor, as shown and described.

DESCRIPTION

FIG. 1 is a top front perspective view of a monitor showing our new design;
FIG. 2 is a front elevational view thereof;
FIG. 3 is a rear elevational view thereof;
FIG. 4 is a left side elevational view thereof;
FIG. 5 is a right side elevational view thereof;
FIG. 6 is a top plan view thereof; and,
FIG. 7 is a bottom plan view thereof.

1 Claim, 5 Drawing Sheets



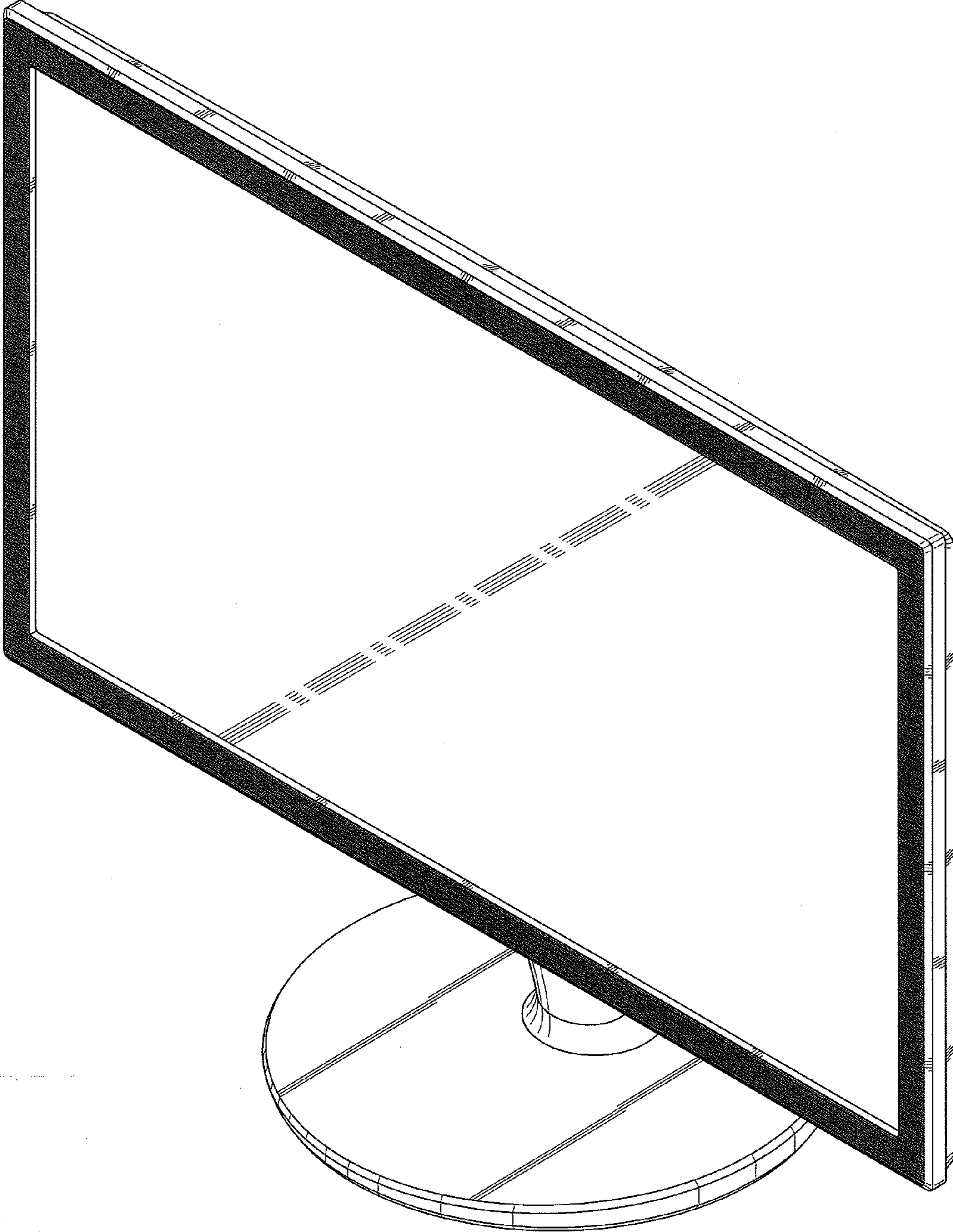


FIG.1

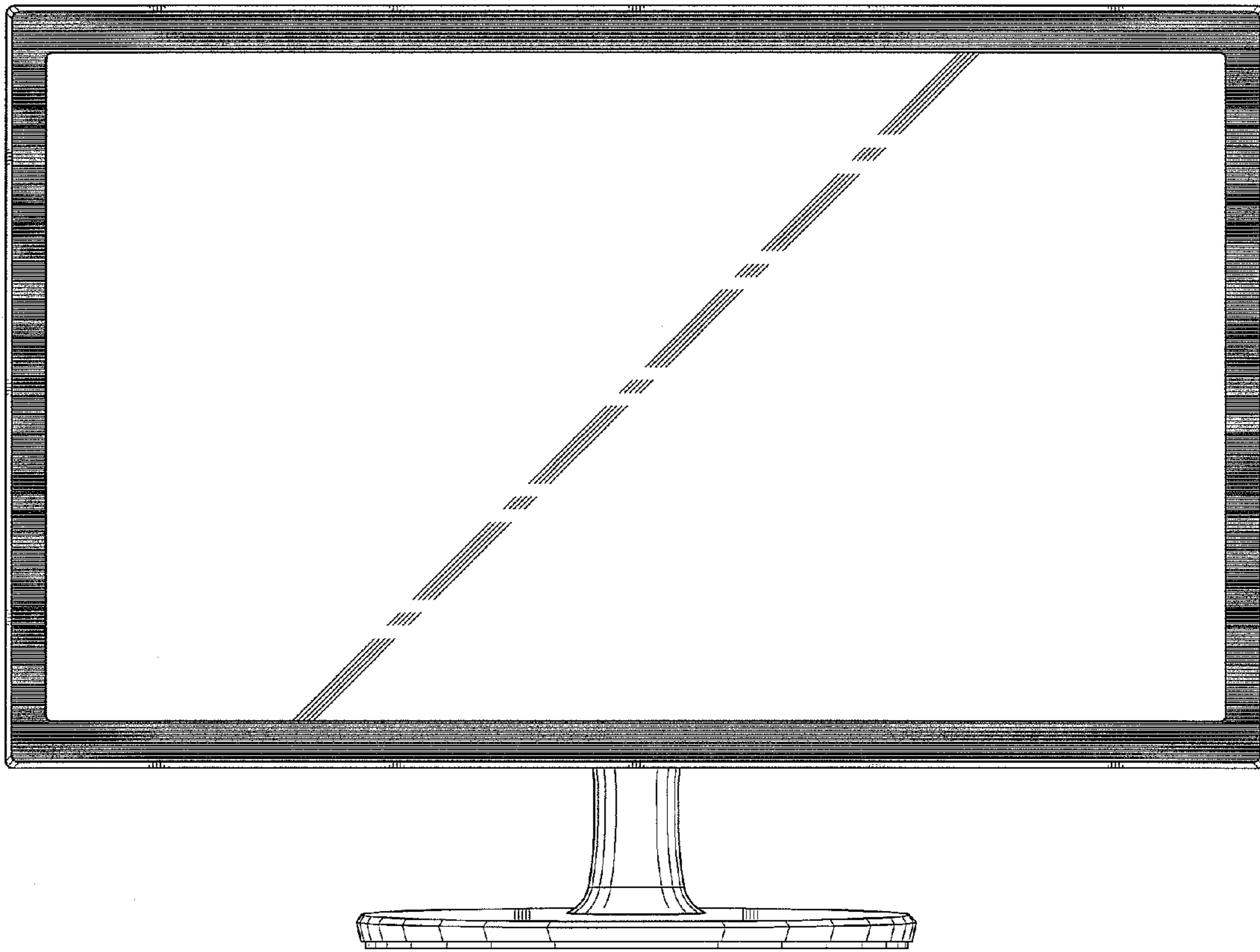


FIG.2

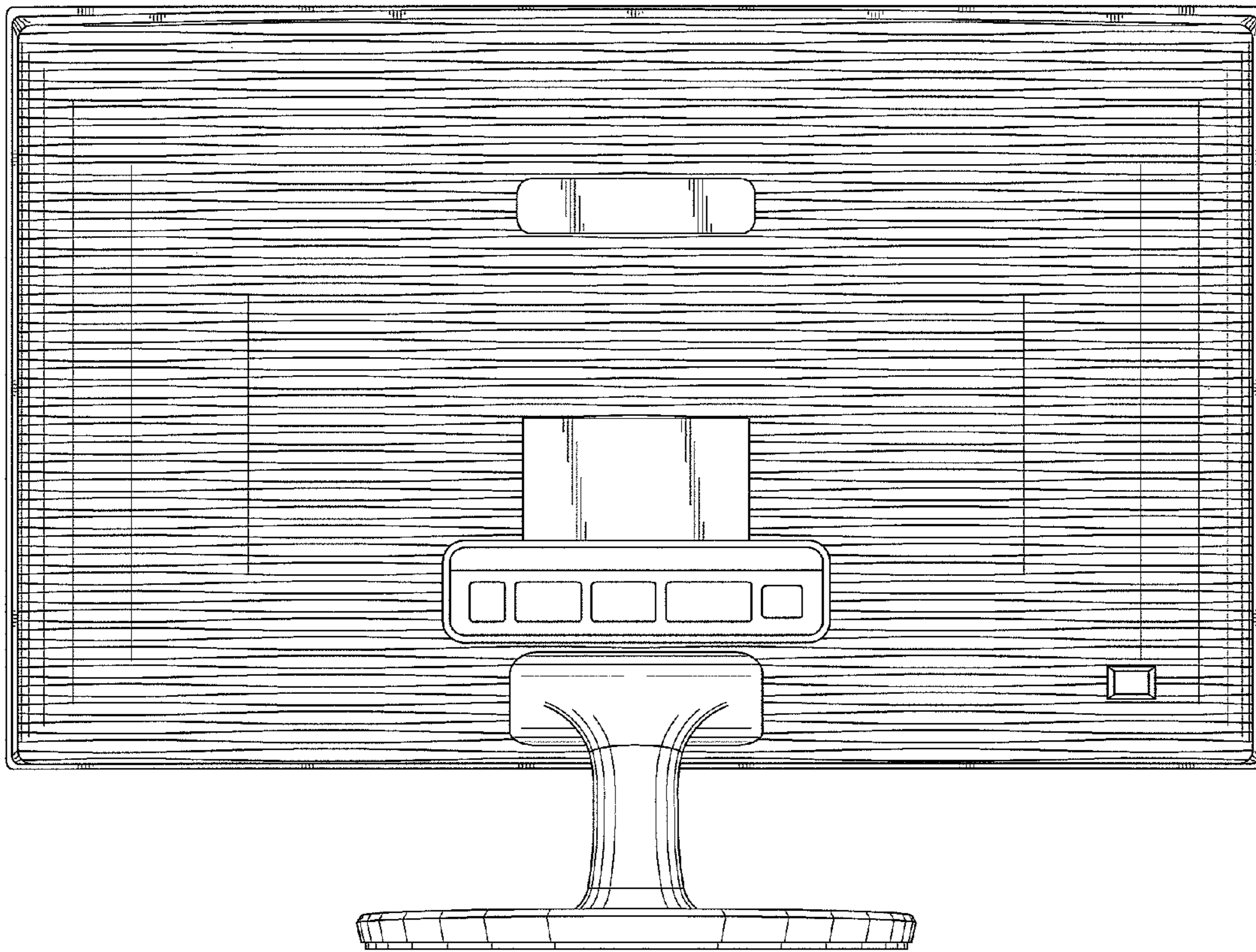


FIG.3

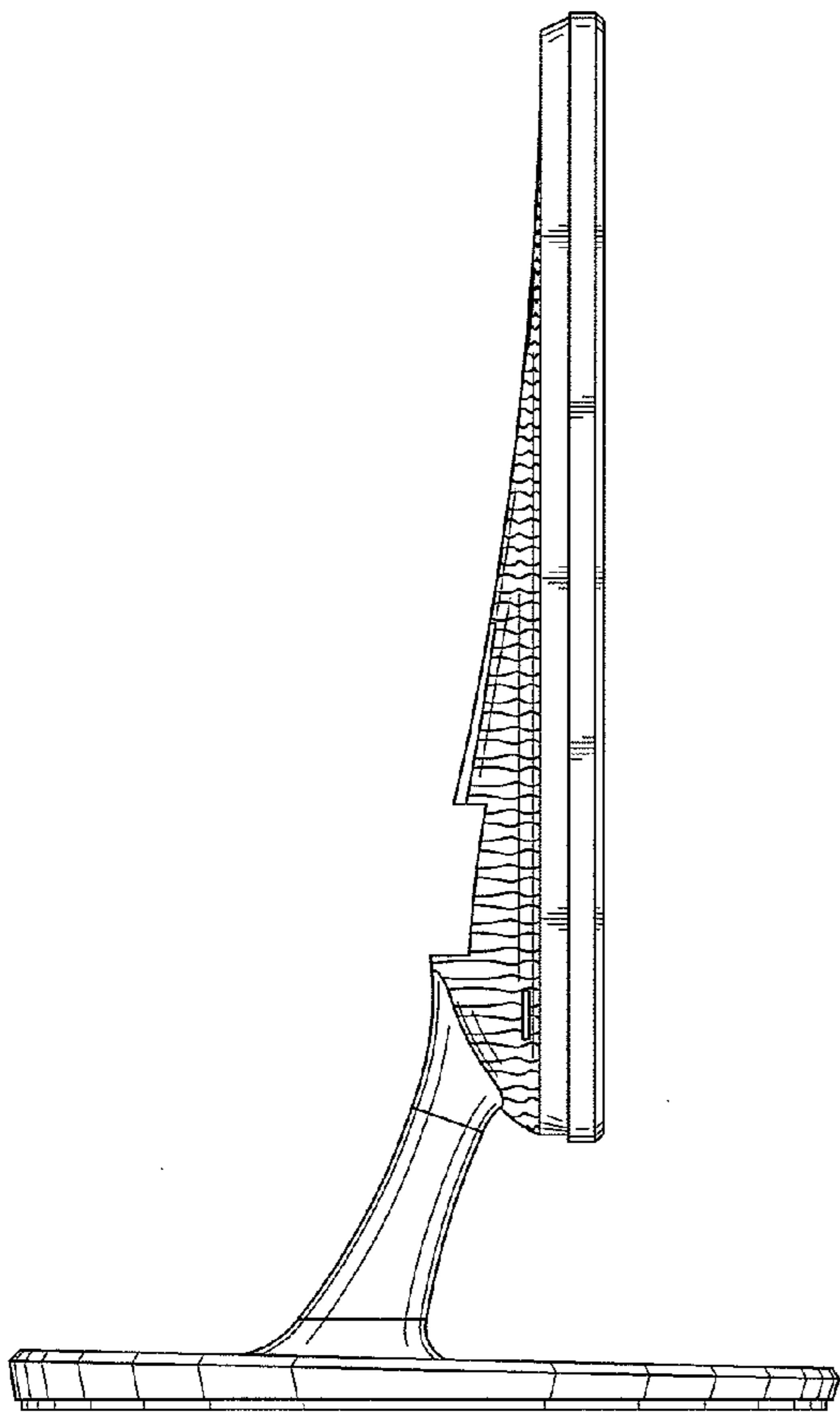


FIG.4

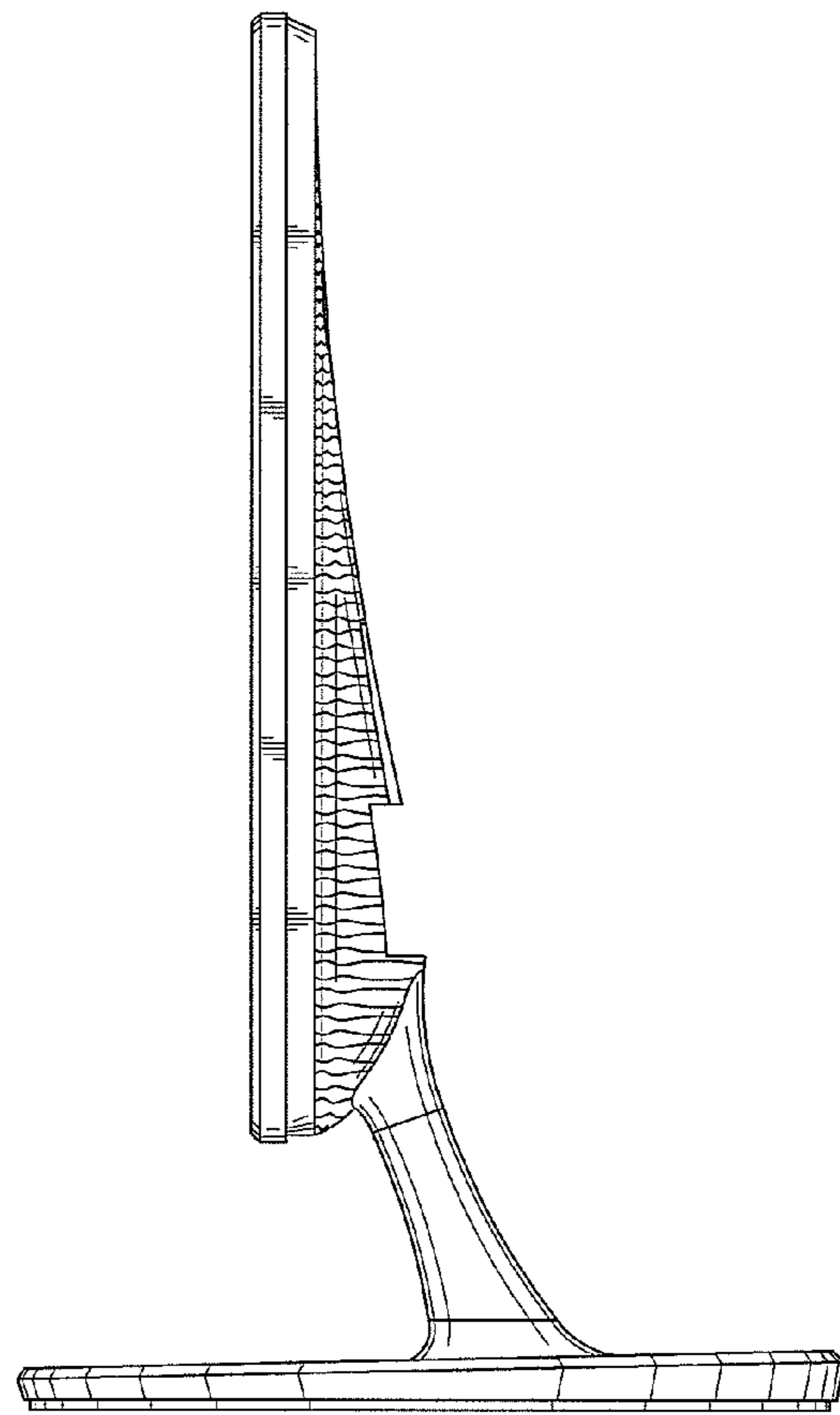


FIG.5

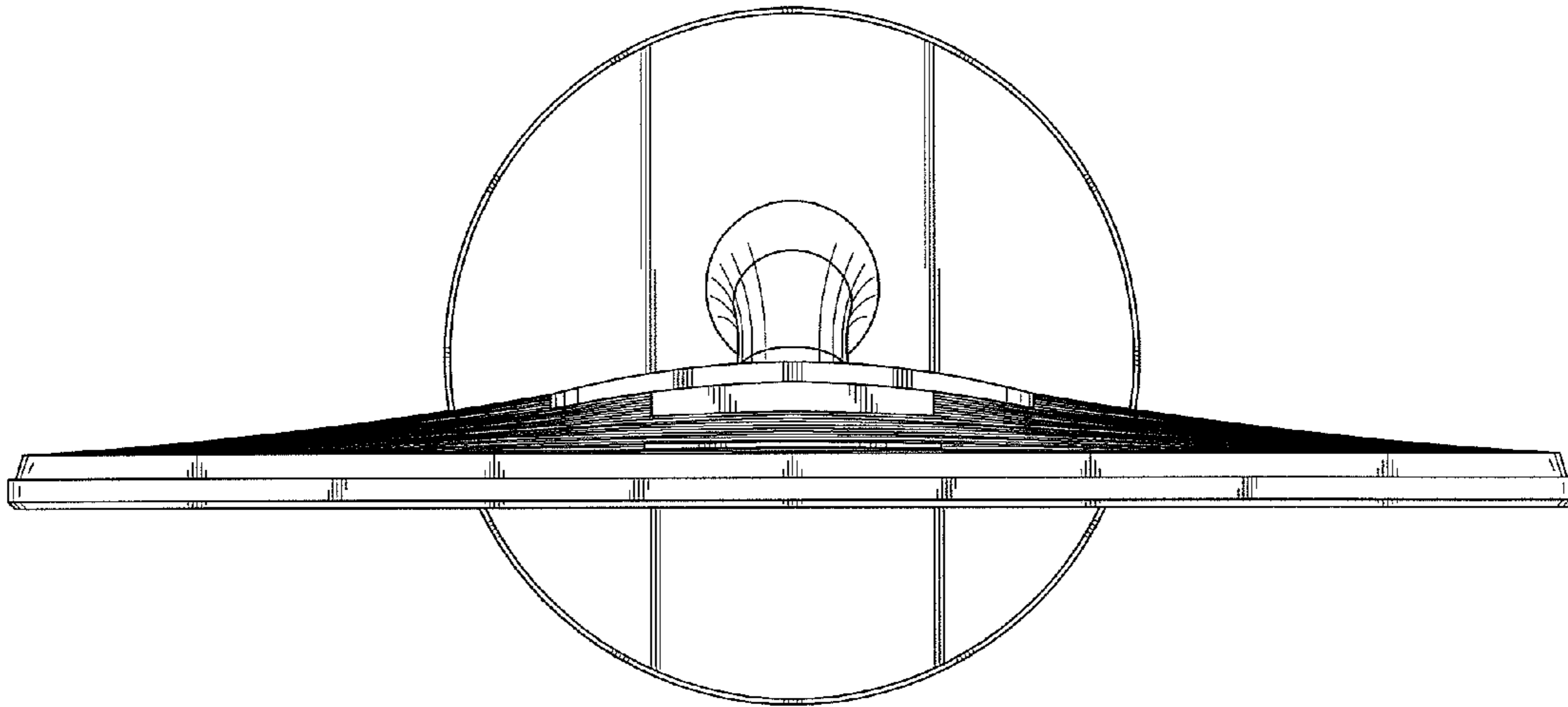


FIG. 6

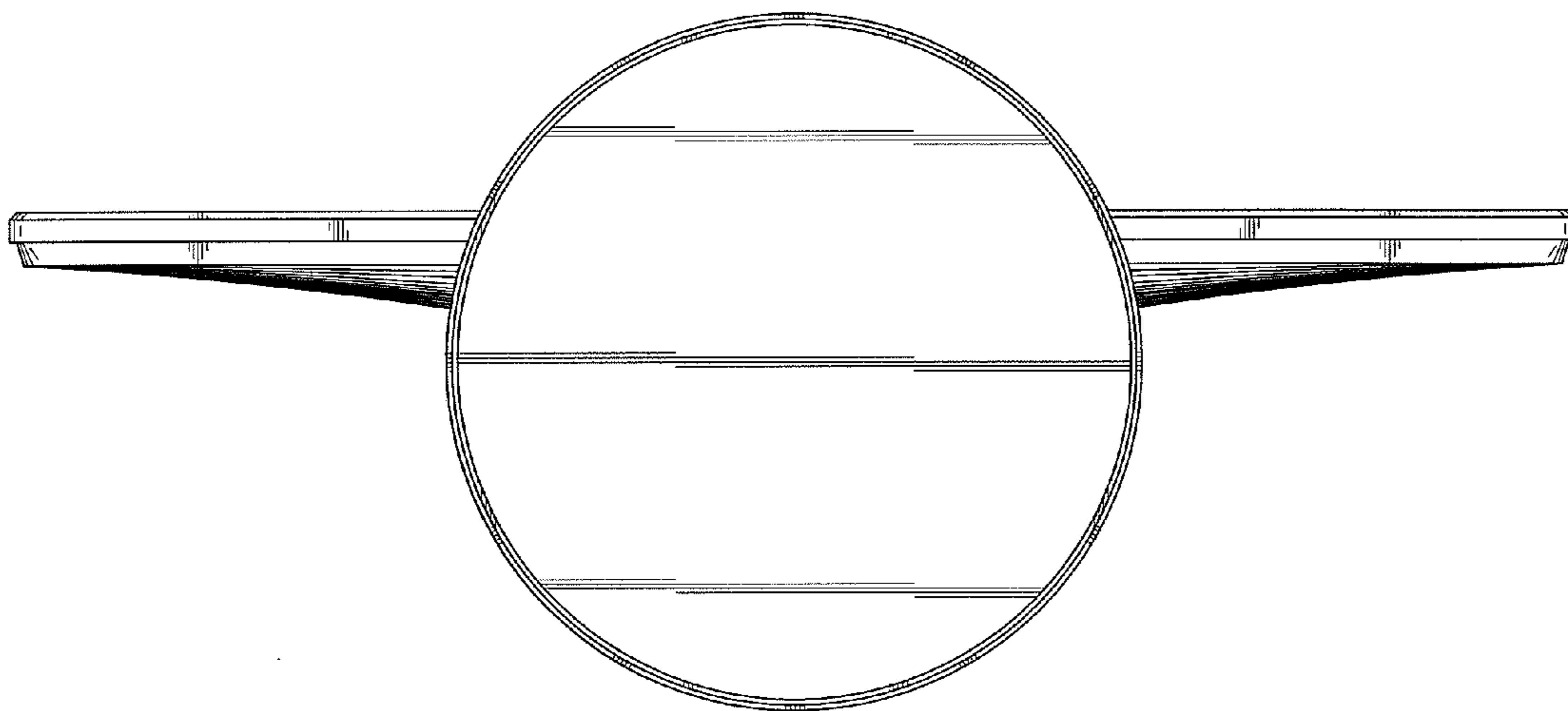


FIG. 7