



US00D685781S

(12) **United States Design Patent**
Adams

(10) **Patent No.:** **US D685,781 S**
(45) **Date of Patent:** **** Jul. 9, 2013**

(54) **PORTABLE ELECTRONIC COMPUTER**

(76) Inventor: **Daniel Trevor Adams**, Alexandria (CA)

(**) Term: **14 Years**

(21) Appl. No.: **29/408,531**

(22) Filed: **Dec. 13, 2011**

(30) **Foreign Application Priority Data**

Jun. 14, 2011 (CA) 140917

(51) **LOC (9) Cl.** **14-02**

(52) **U.S. Cl.**
USPC **D14/315**

(58) **Field of Classification Search**
USPC ... D14/315-327; D18/1, 2, 7, 11; 235/145 A,
235/145 R; 341/22, 23; 345/104, 156, 168,
345/169, 173; 361/679.08, 679.09, 679.11,
361/679.26, 679.27
See application file for complete search history.

(56) **References Cited**

U.S. PATENT DOCUMENTS

- D366,280 S * 1/1996 Henderson D19/52
- 6,714,403 B2 * 3/2004 Furuki et al. 361/679.09
- D618,683 S * 6/2010 Wilson et al. D14/371
- D631,043 S * 1/2011 Kell D14/341
- D639,806 S * 6/2011 Lee et al. D14/345
- 2004/0207976 A1 * 10/2004 Hamada et al. 361/680

- 2004/0212602 A1 * 10/2004 Nako et al. 345/173
- 2008/0285216 A1 * 11/2008 Kobayashi et al. 361/680
- 2009/0231233 A1 * 9/2009 Liberatore 345/1.3
- 2011/0026210 A1 * 2/2011 Tracy et al. 361/679.17

* cited by examiner

Primary Examiner — Freda S Nunn

(57) **CLAIM**

The ornamental design for a portable electronic computer, as shown and described.

DESCRIPTION

FIG. 1 is a front, left side perspective view of a portable electronic computer showing my new design in the closed position;

FIG. 2 is a front view thereof in the closed position;

FIG. 3 is a rear view thereof in the closed position;

FIG. 4 is a left side view thereof in the closed position;

FIG. 5 is a right side view thereof in the closed position;

FIG. 6 is a top plan view thereof in the closed position;

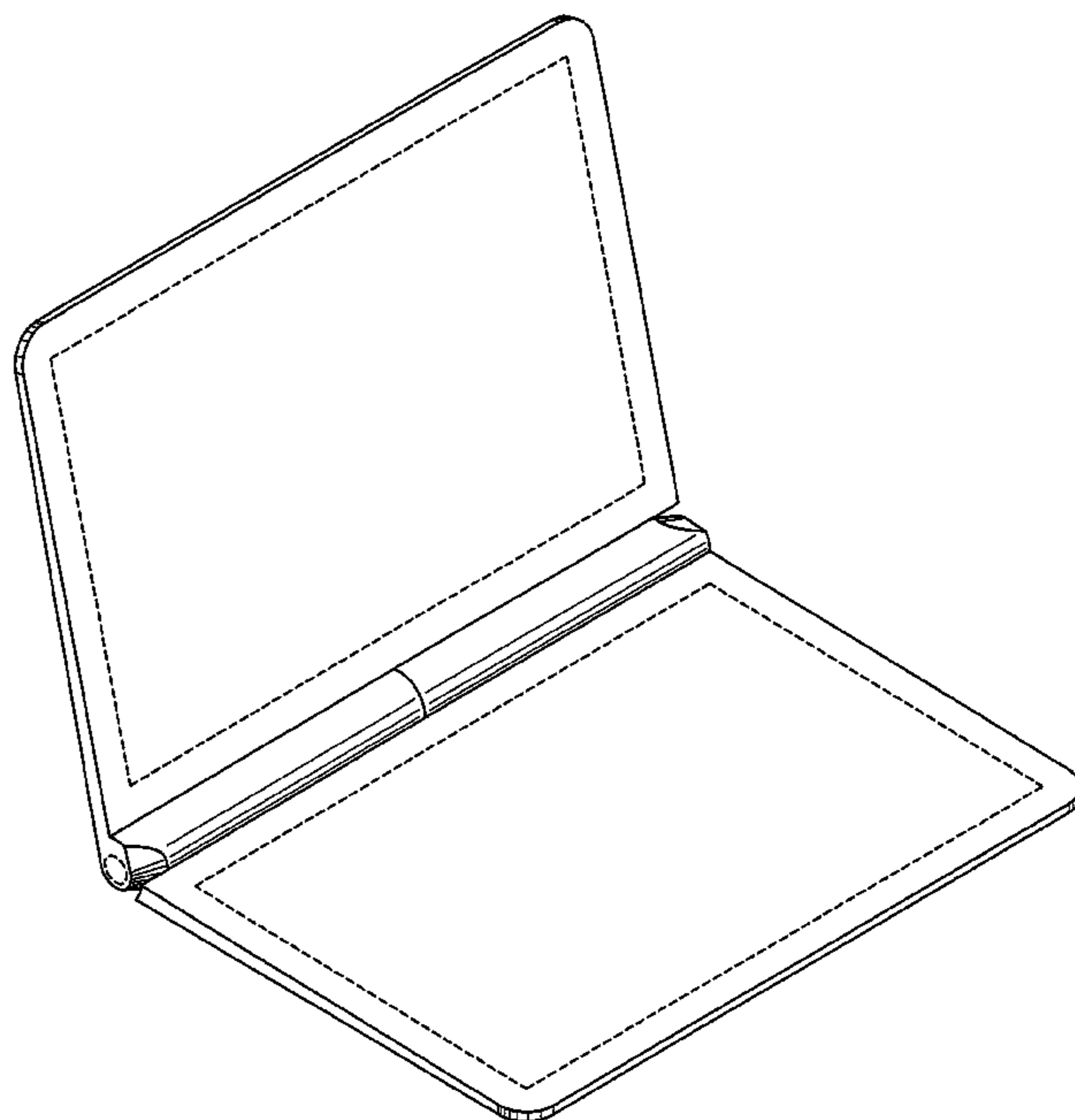
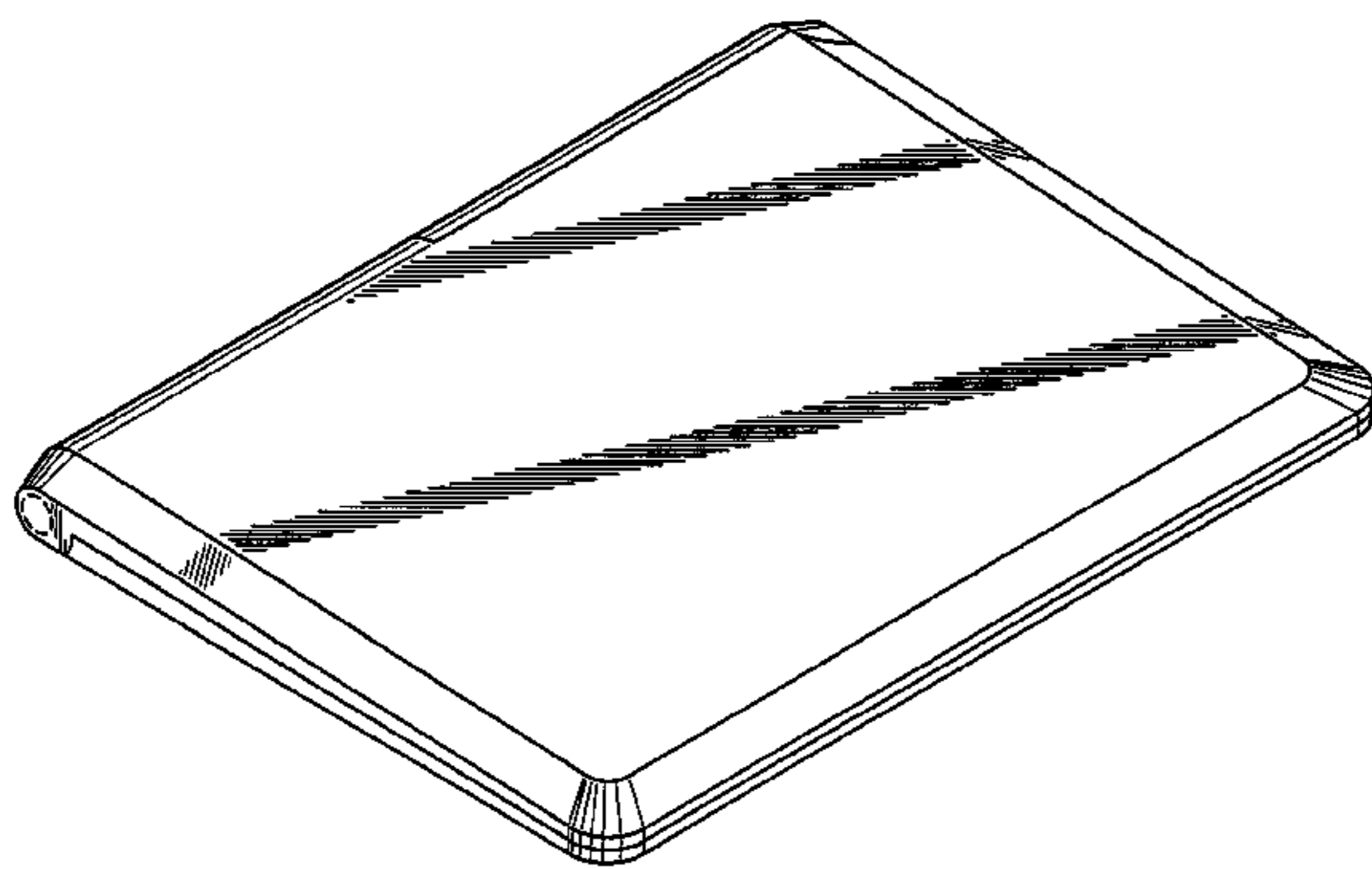
FIG. 7 is a bottom view thereof in the closed position;

FIG. 8 is a front, left side perspective view thereof in the opened position; and,

FIG. 9 is a rear, left side perspective view thereof in the closed position.

Broken lines shown in the drawings illustrate portions of the portable electronic computer and form no part of the claimed design.

1 Claim, 7 Drawing Sheets



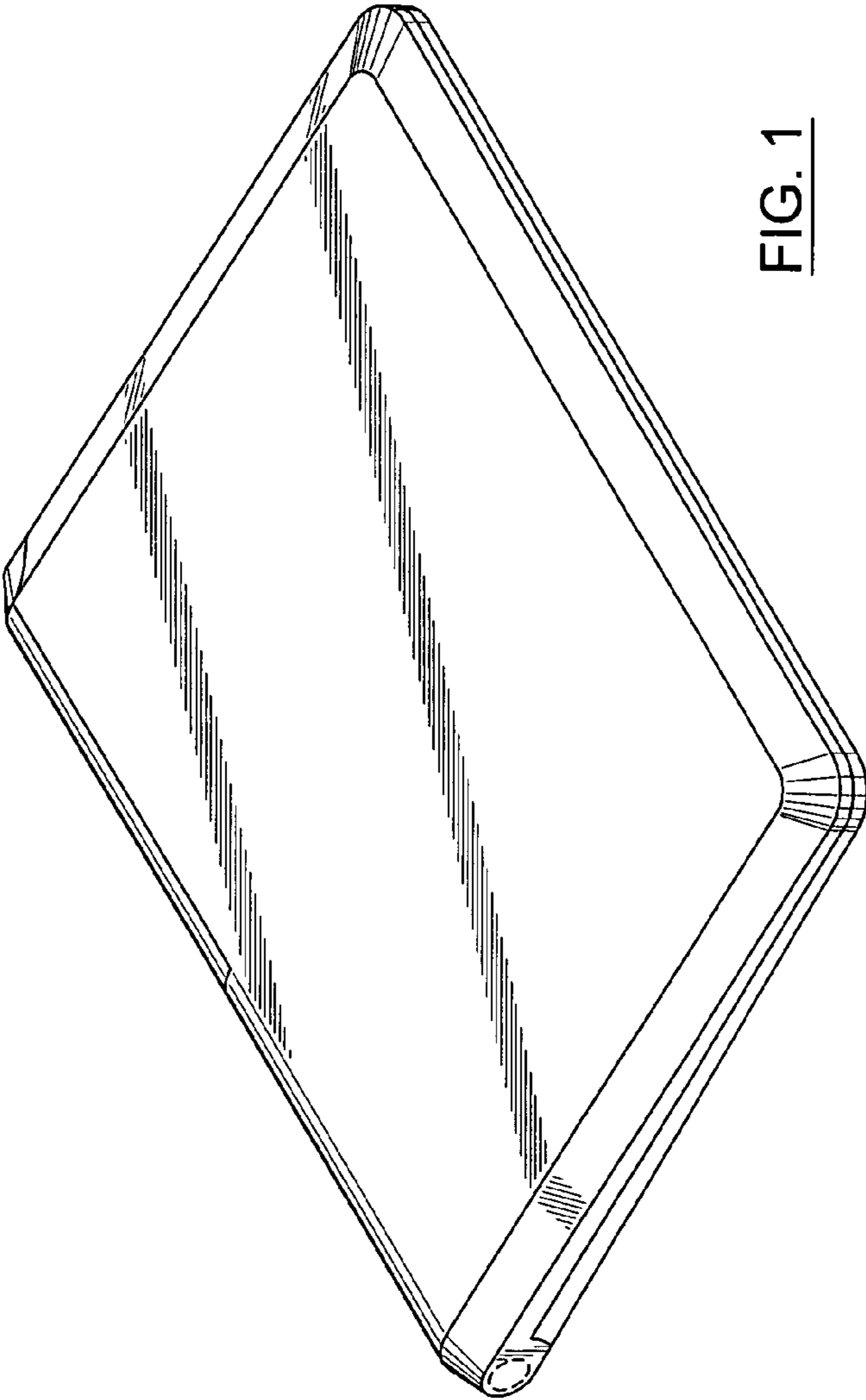


FIG. 1

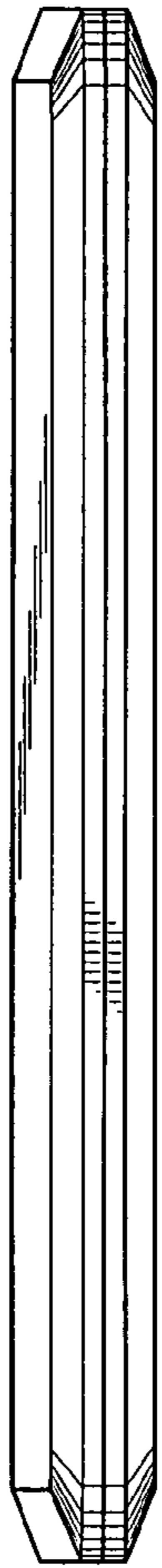


FIG. 2

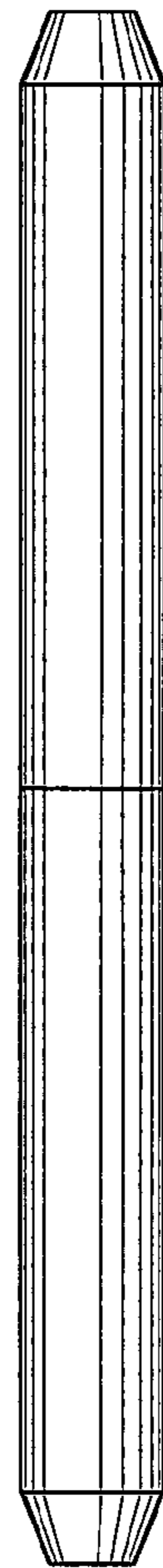


FIG. 3



FIG. 4

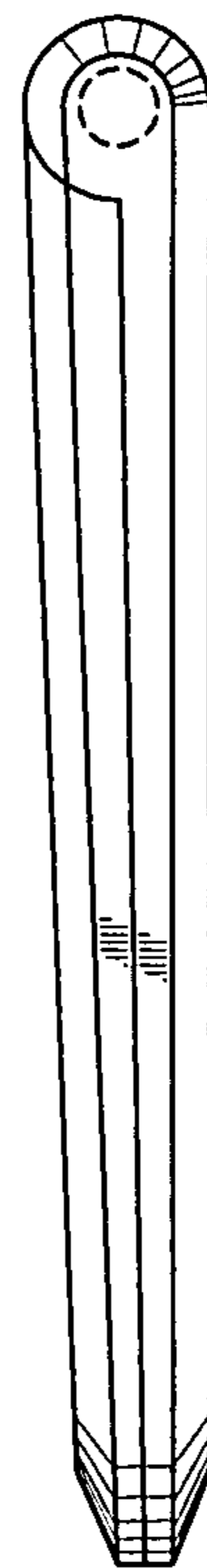


FIG. 5

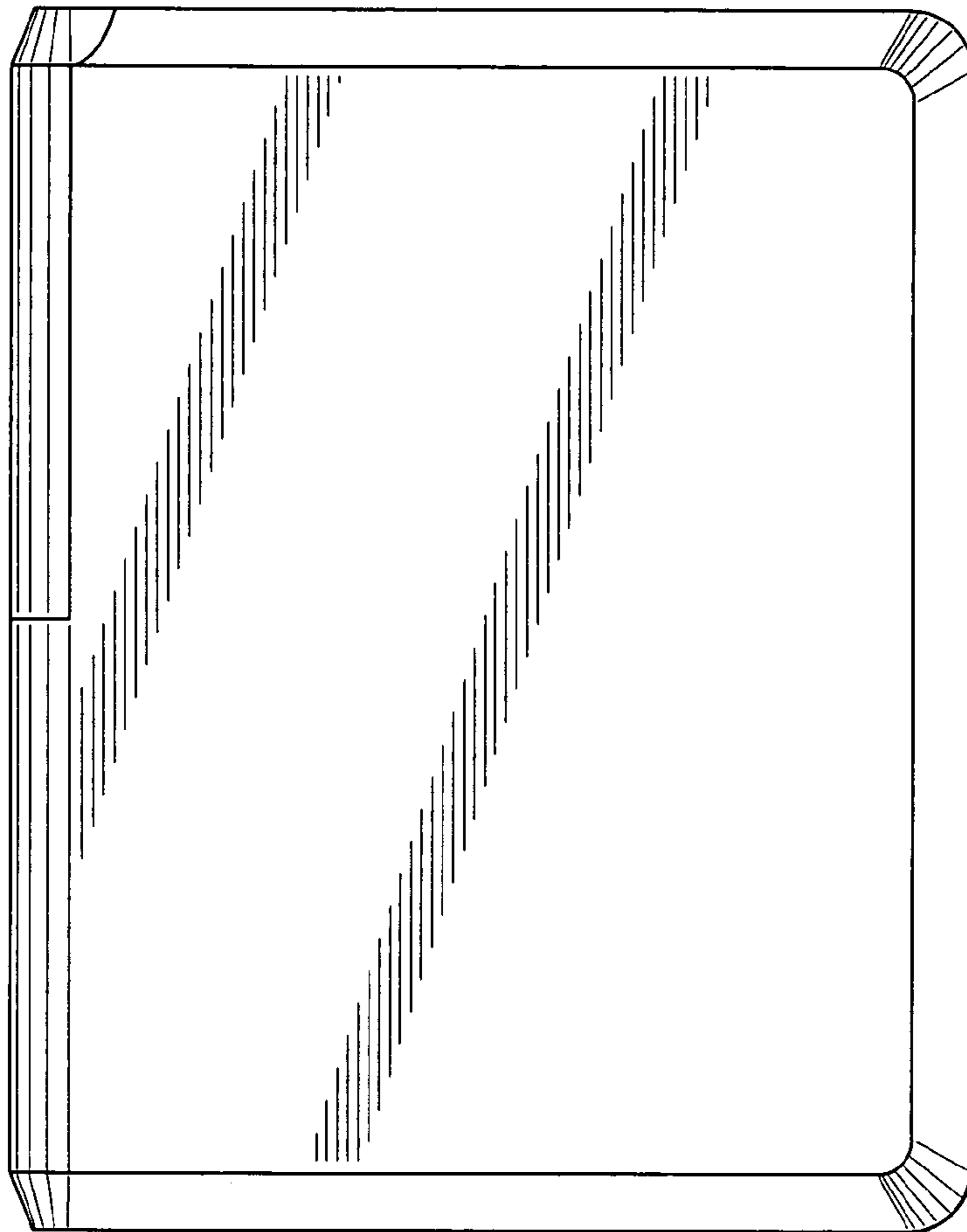


FIG. 6

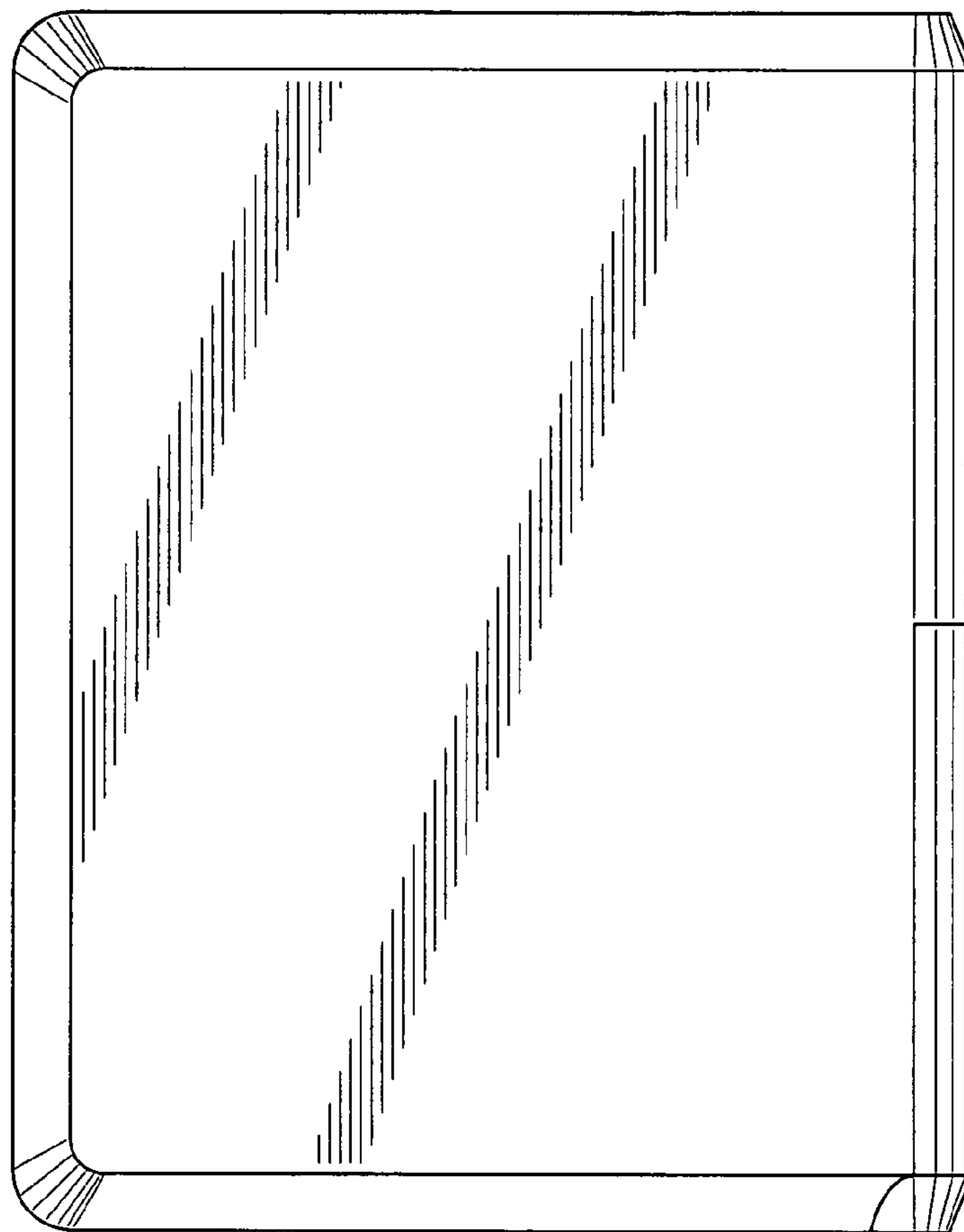


FIG. 7

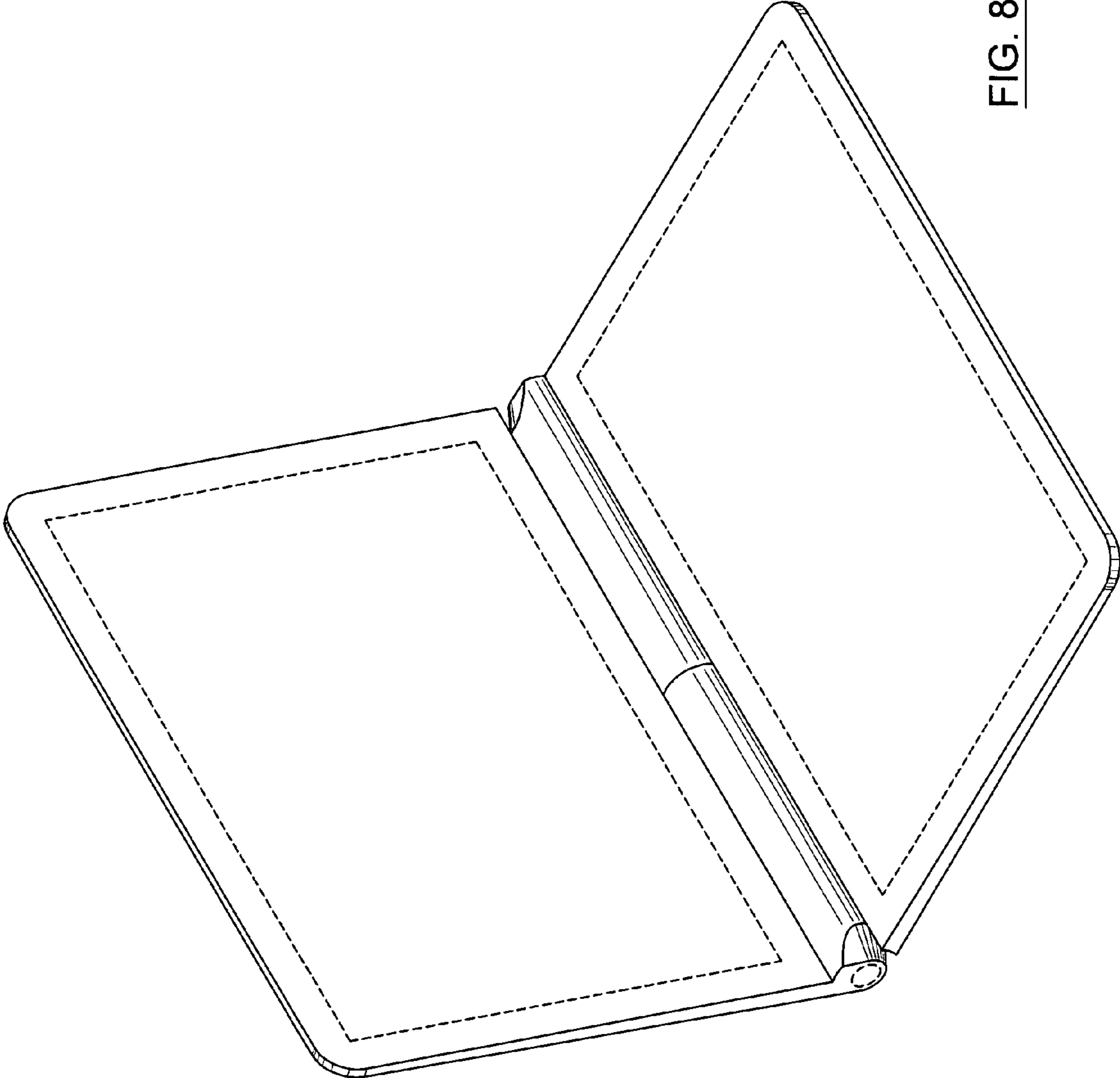


FIG. 8

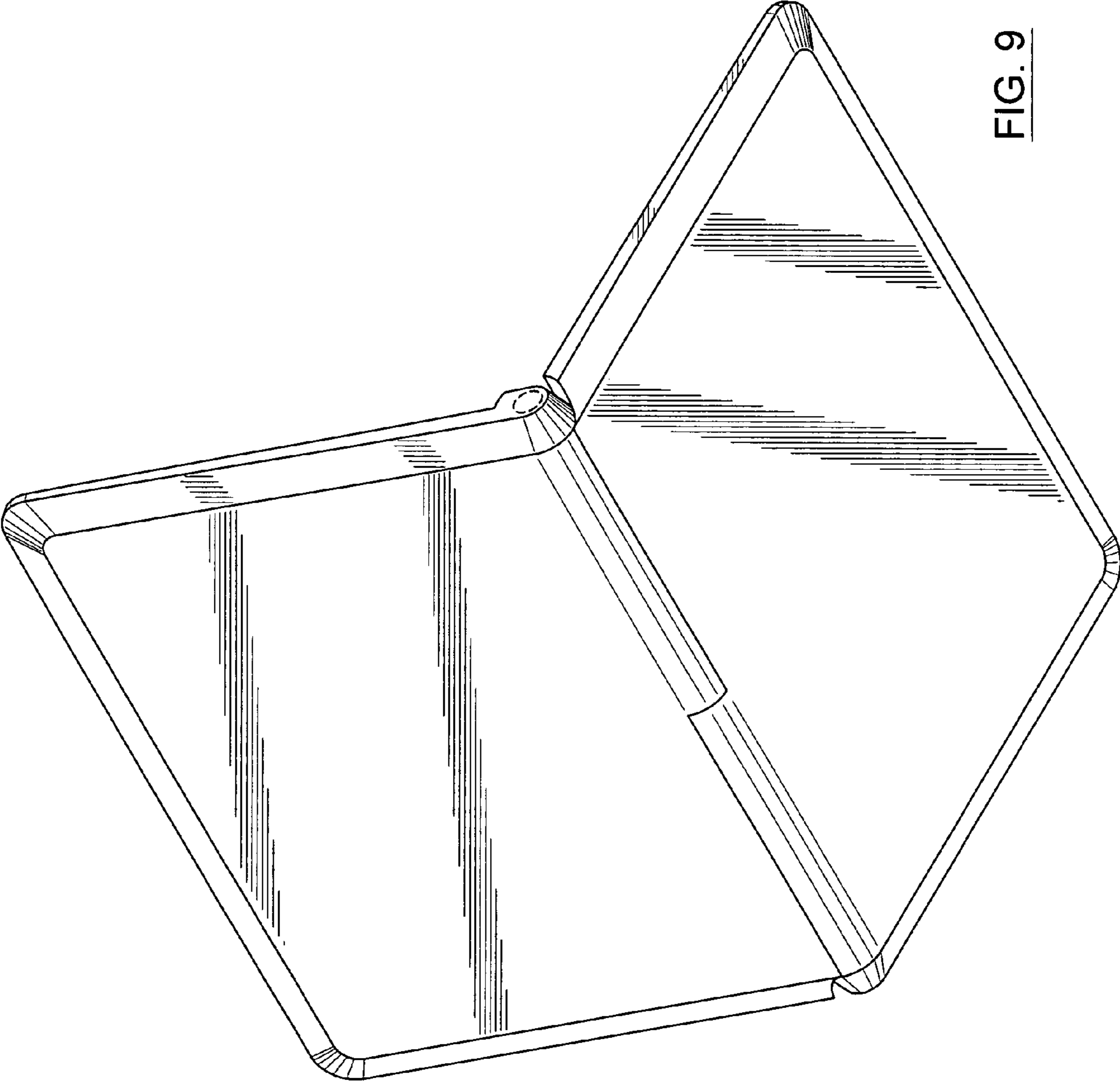


FIG. 9