



US00D685778S

(12) **United States Design Patent**
Fahrendorff et al.

(10) **Patent No.:** **US D685,778 S**
(45) **Date of Patent:** **** Jul. 9, 2013**

(54) **ELECTRONIC DEVICE SHELL**
(75) Inventors: **Anders Fahrendorff**, Ottawa (CA);
Todd Andrew Wood, Toronto (CA);
Todd Nelson Sinclair, Waterloo (CA)
(73) Assignee: **Research In Motion Limited**, Waterloo,
Ontario (CA)
(**) Term: **14 Years**

D611,045	S *	3/2010	Andre et al.	D14/327
8,016,107	B2 *	9/2011	Emsky	206/320
D646,266	S *	10/2011	Kim et al.	D14/250
D654,069	S *	2/2012	Kwon et al.	D14/250
8,132,670	B1 *	3/2012	Chen	206/320
D659,139	S *	5/2012	Gengler	D14/392
D662,503	S *	6/2012	Akana et al.	D14/439
D665,809	S *	8/2012	Wang et al.	D14/439
8,245,843	B1 *	8/2012	Wu	206/320
D670,293	S *	11/2012	Shimizu et al.	D14/440
2002/0070132	A1 *	6/2002	Onmori et al.	206/232
2010/0289390	A1 *	11/2010	Kenney	312/223.1

(21) Appl. No.: **29/398,087**

(22) Filed: **Jul. 26, 2011**

(51) **LOC (9) Cl.** **14-03**

(52) **U.S. Cl.**
USPC **D14/250**

(58) **Field of Classification Search**
USPC D14/250, 251, 253, 240, 217, 496,
D14/440, 203.3, 203.4, 203.5, 203.8; D3/218,
D3/215, 201; 220/4.02; 248/309.1; 361/679.56,
361/683, 679.09; 379/426, 433.11, 455;
455/575.1, 575.8; 190/100; 206/305, 320;
345/173

See application file for complete search history.

(56) **References Cited**

U.S. PATENT DOCUMENTS

D469,438	S *	1/2003	Corrales	D14/432
7,542,052	B2 *	6/2009	Solomon et al.	345/659
D609,226	S *	2/2010	Hofer et al.	D14/248

* cited by examiner

Primary Examiner — Cynthia Underwood

(57) **CLAIM**

We claim the ornamental design for an electronic device shell,
as shown and described.

DESCRIPTION

FIG. 1 is a back perspective view of an electronic device shell;
FIG. 2 is a back elevational view of the electronic device
shell;

FIG. 3 is a front elevational view thereof;

FIG. 4 is a right elevational view thereof;

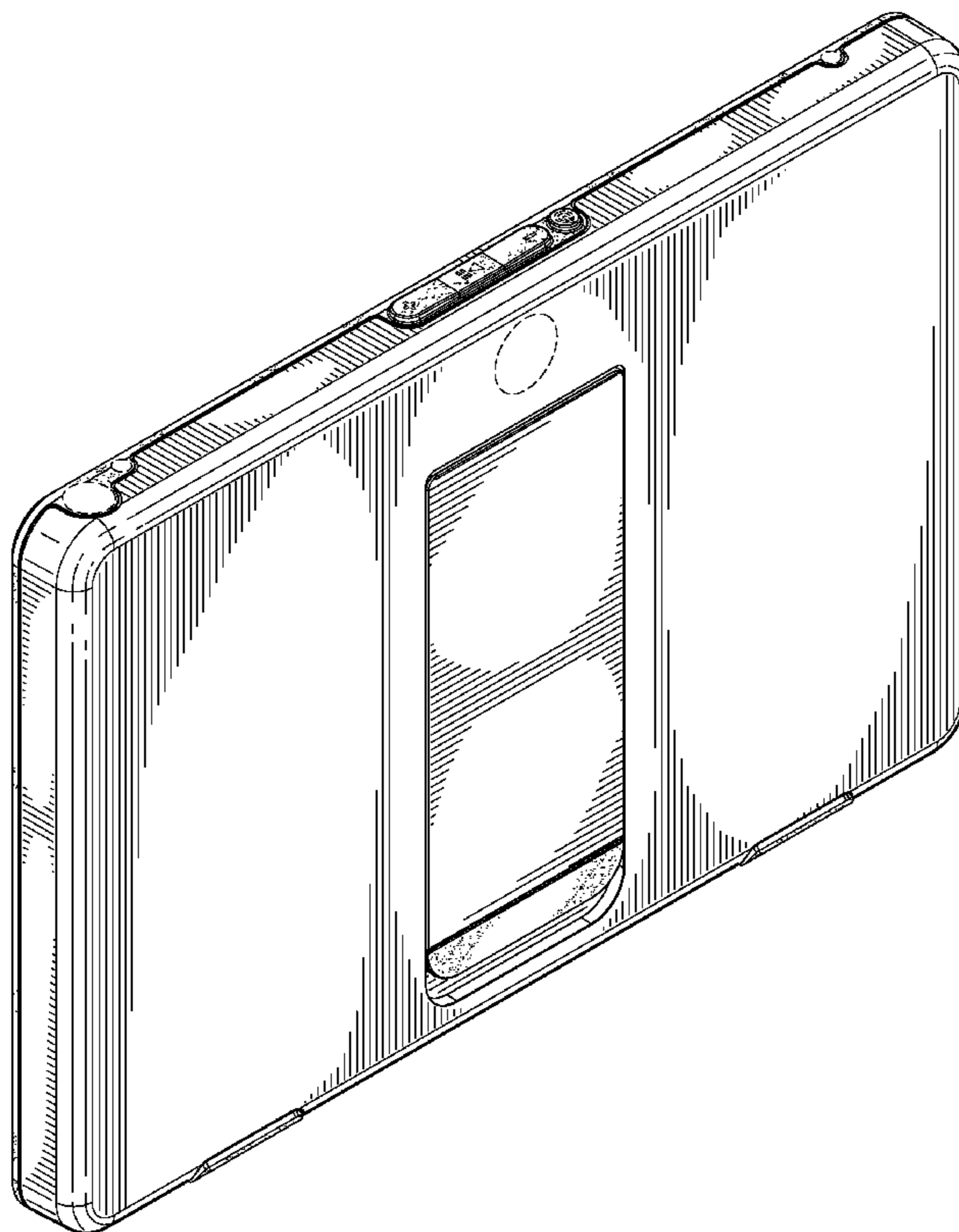
FIG. 5 is a left elevational view thereof;

FIG. 6 is a top plan view thereof; and,

FIG. 7 is a bottom plan view thereof.

The broken lines shown in the drawings of the electronic
device shell are for the purpose of illustrating portions of the
article and form no part of the claimed design.

1 Claim, 5 Drawing Sheets



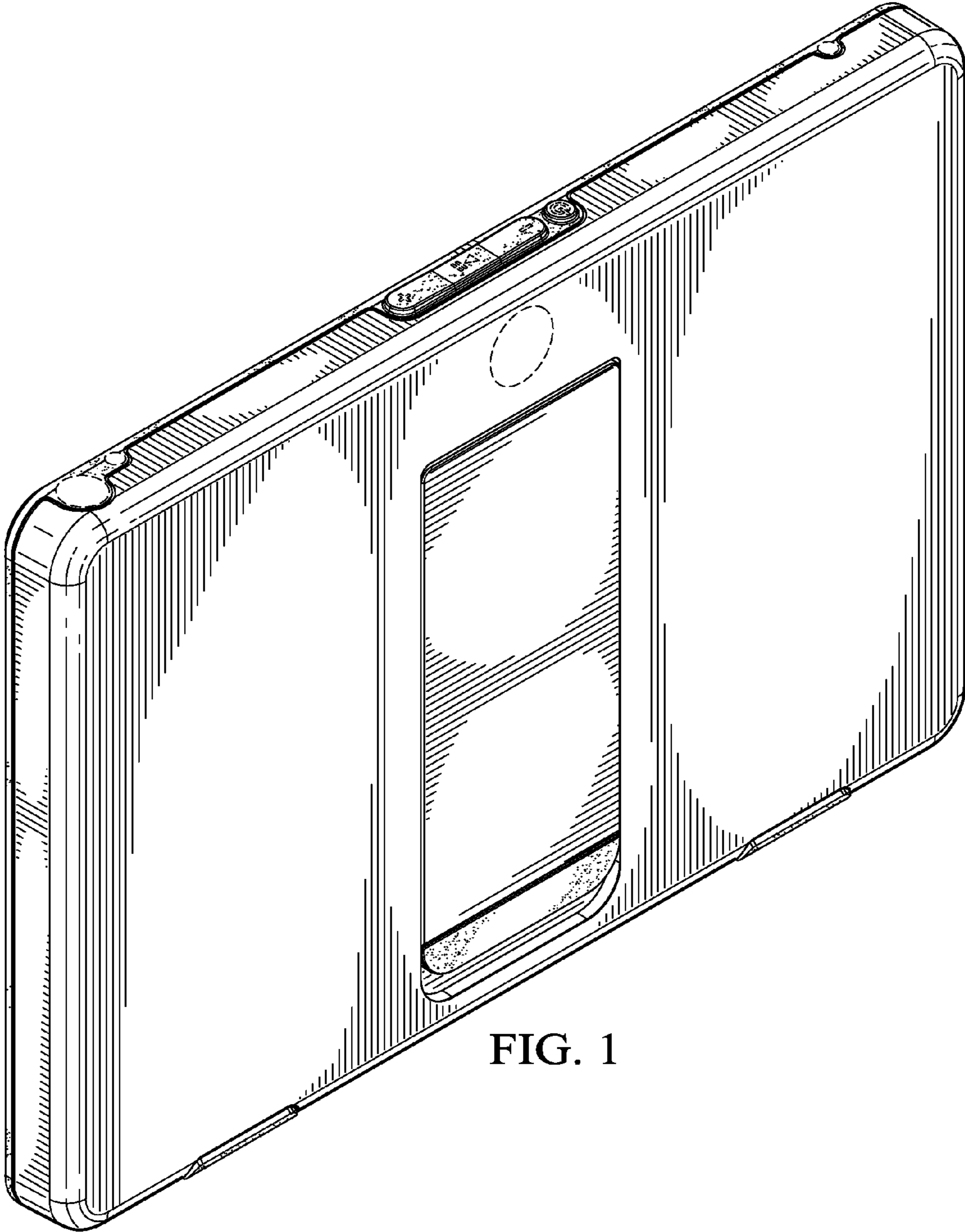


FIG. 1

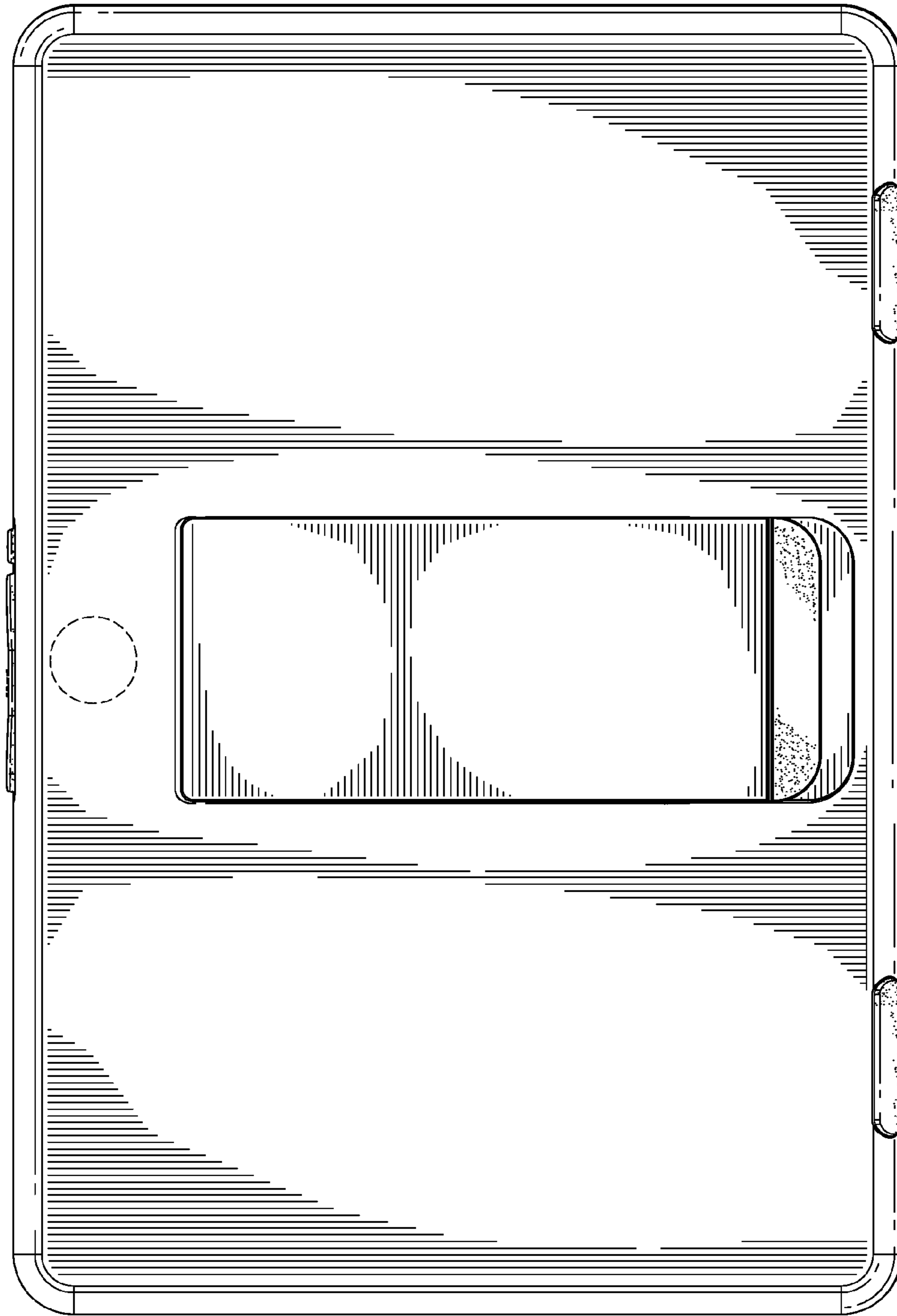


FIG. 2

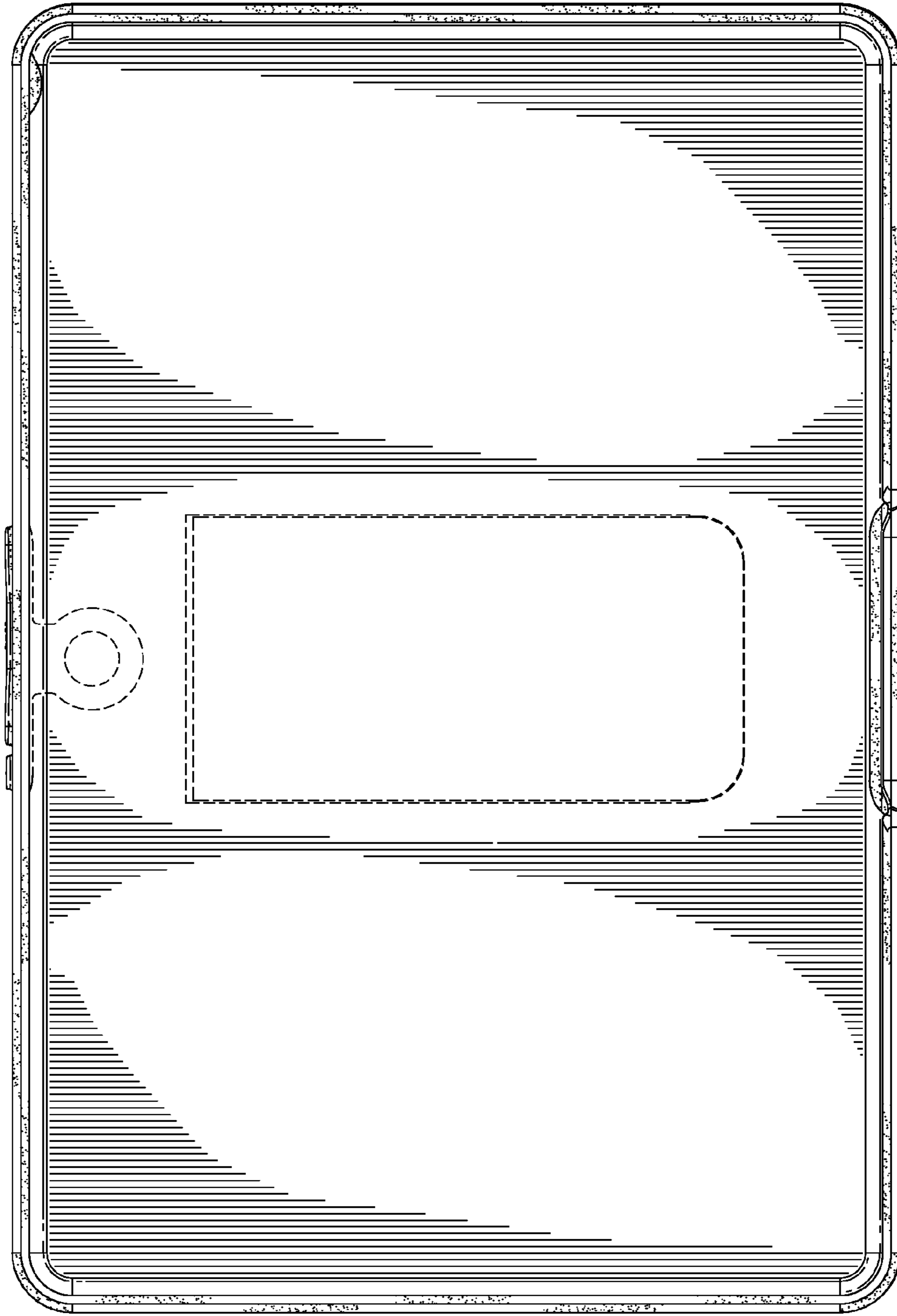


FIG. 3



FIG. 5

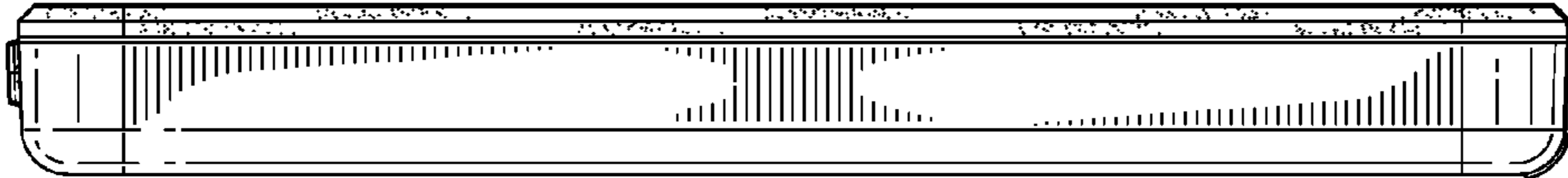


FIG. 4

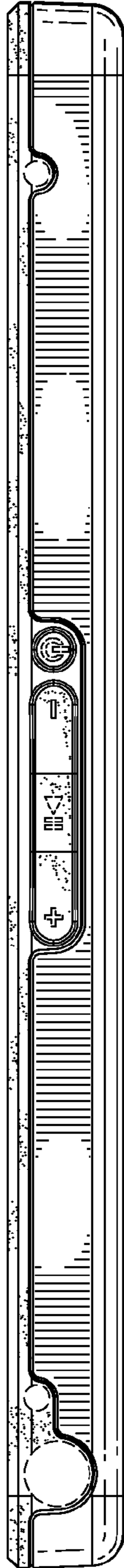


FIG. 6



FIG. 7