



US00D685777S

(12) **United States Design Patent**
Fahrendorff et al.

(10) **Patent No.:** **US D685,777 S**
(45) **Date of Patent:** **** Jul. 9, 2013**

- (54) **HANDHELD ELECTRONIC DEVICE SHELL**
- (75) Inventors: **Anders Fahrendorff**, Ottawa (CA); **Ian James Murchison**, Toronto (CA)
- (73) Assignee: **Research In Motion Limited**, Waterloo, Ontario (CA)
- (**) Term: **14 Years**
- (21) Appl. No.: **29/392,207**
- (22) Filed: **May 18, 2011**
- (51) **LOC (9) Cl.** **14-03**
- (52) **U.S. Cl.**
USPC **D14/250**
- (58) **Field of Classification Search**
USPC .. D14/250, 251, 252, 253, 440, 203.3–203.7, D14/496, 217, 238.1, 240, 248; D13/103, D13/107, 108; D3/201, 218, 269, 273, 301, D3/303; 190/100; 220/4.02; 248/309.1; 361/679.56; 379/426, 433.11, 455; 455/575.8
See application file for complete search history.

- D632,682 S * 2/2011 Fahrendorff et al. D14/250
- D638,410 S * 5/2011 Khan et al. D14/250
- D641,012 S * 7/2011 Fahrendorff et al. D14/250
- D648,717 S * 11/2011 Fahrendorff et al. D14/250
- D653,658 S * 2/2012 Fahrendorff et al. D14/250
- D663,295 S * 7/2012 Fahrendorff et al. D14/250
- D666,613 S * 9/2012 Fahrendorff et al. D14/250

* cited by examiner

Primary Examiner — Robert M Spear
Assistant Examiner — Rhea Shields

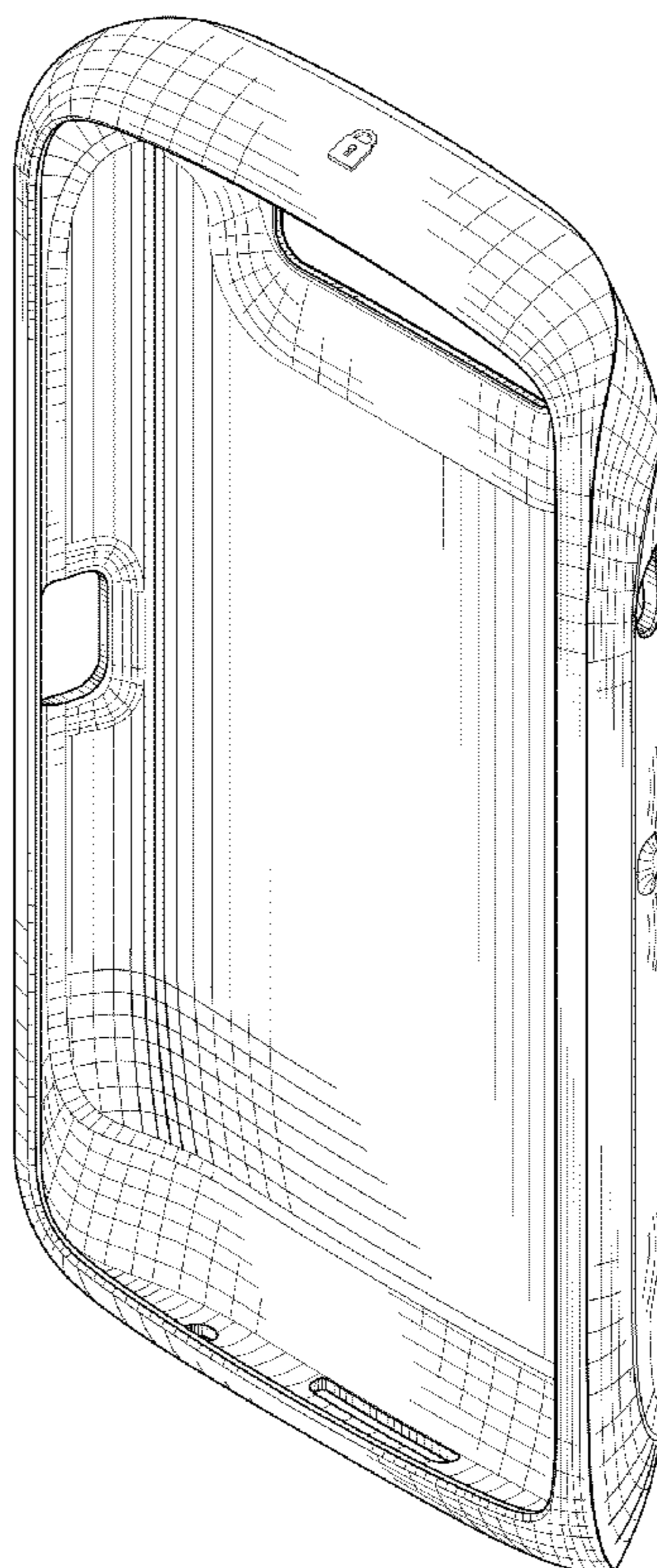
(57) **CLAIM**
We claim the ornamental design for a handheld electronic device shell, as shown and described.

DESCRIPTION

FIG. 1 is a front perspective view of a handheld electronic device shell;
FIG. 2 is a back perspective view of the handheld electronic device shell;
FIG. 3 is a front elevational view thereof;
FIG. 4 is a back elevational view thereof;
FIG. 5 is a right elevational view thereof;
FIG. 6 is a left elevational view thereof;
FIG. 7 is a top plan view thereof; and,
FIG. 8 is a bottom plan view thereof.
Broken lines shown in FIGS. 5 and 6 illustrate environment and form no part of the claimed design.

1 Claim, 6 Drawing Sheets

- (56) **References Cited**
U.S. PATENT DOCUMENTS
D618,231 S * 6/2010 Fahrendorff et al. D14/250
D619,573 S * 7/2010 Khan et al. D14/250
D631,877 S * 2/2011 Rak et al. D14/250
D632,289 S * 2/2011 Fahrendorff et al. D14/250



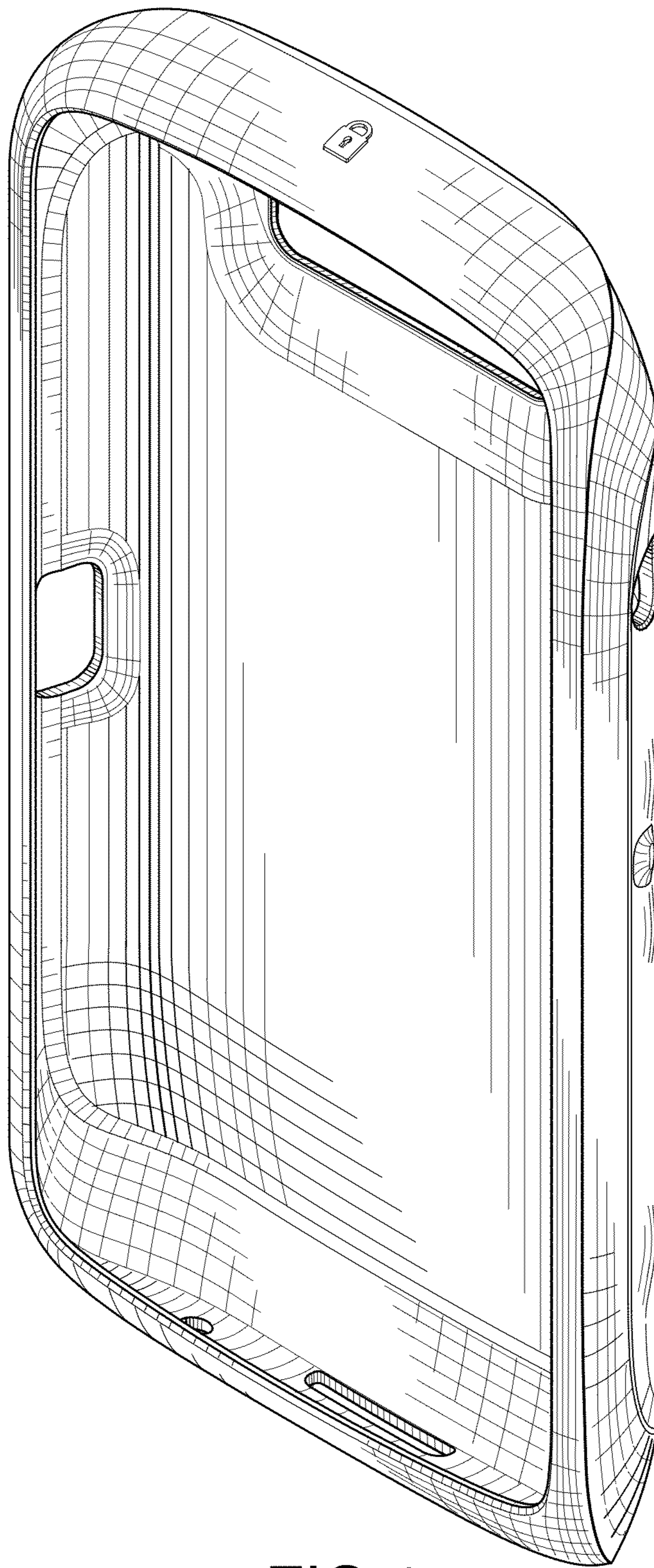


FIG. 1

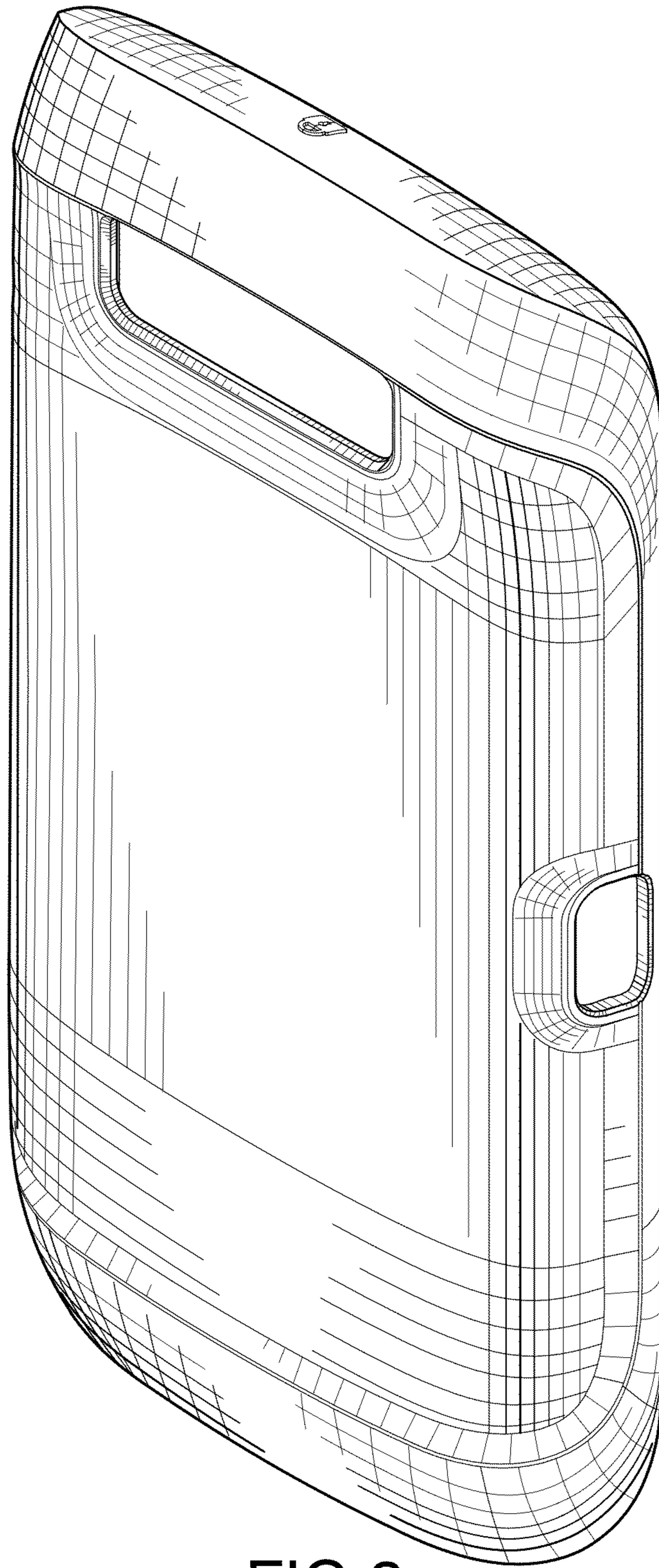


FIG.2

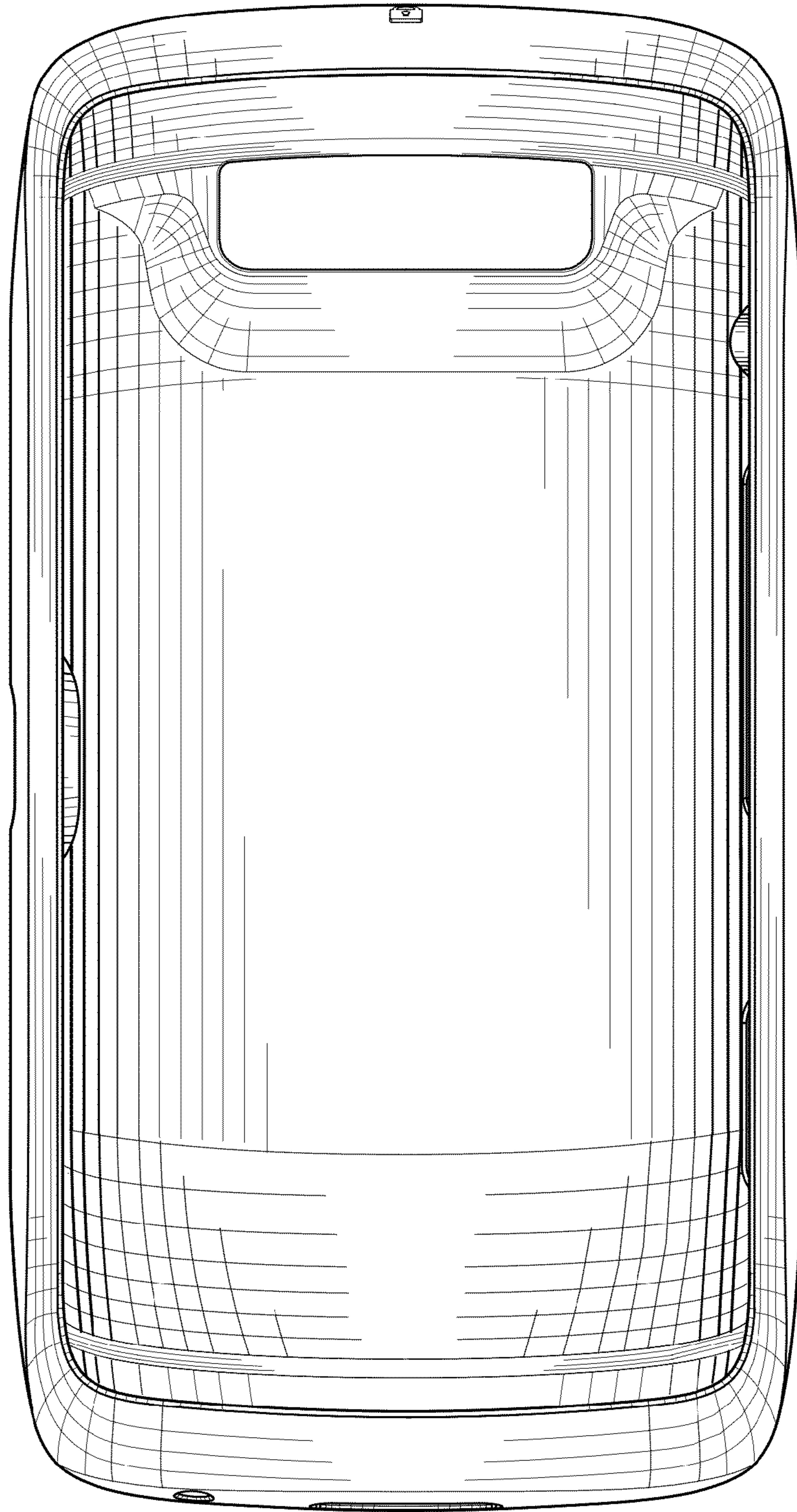


FIG.3

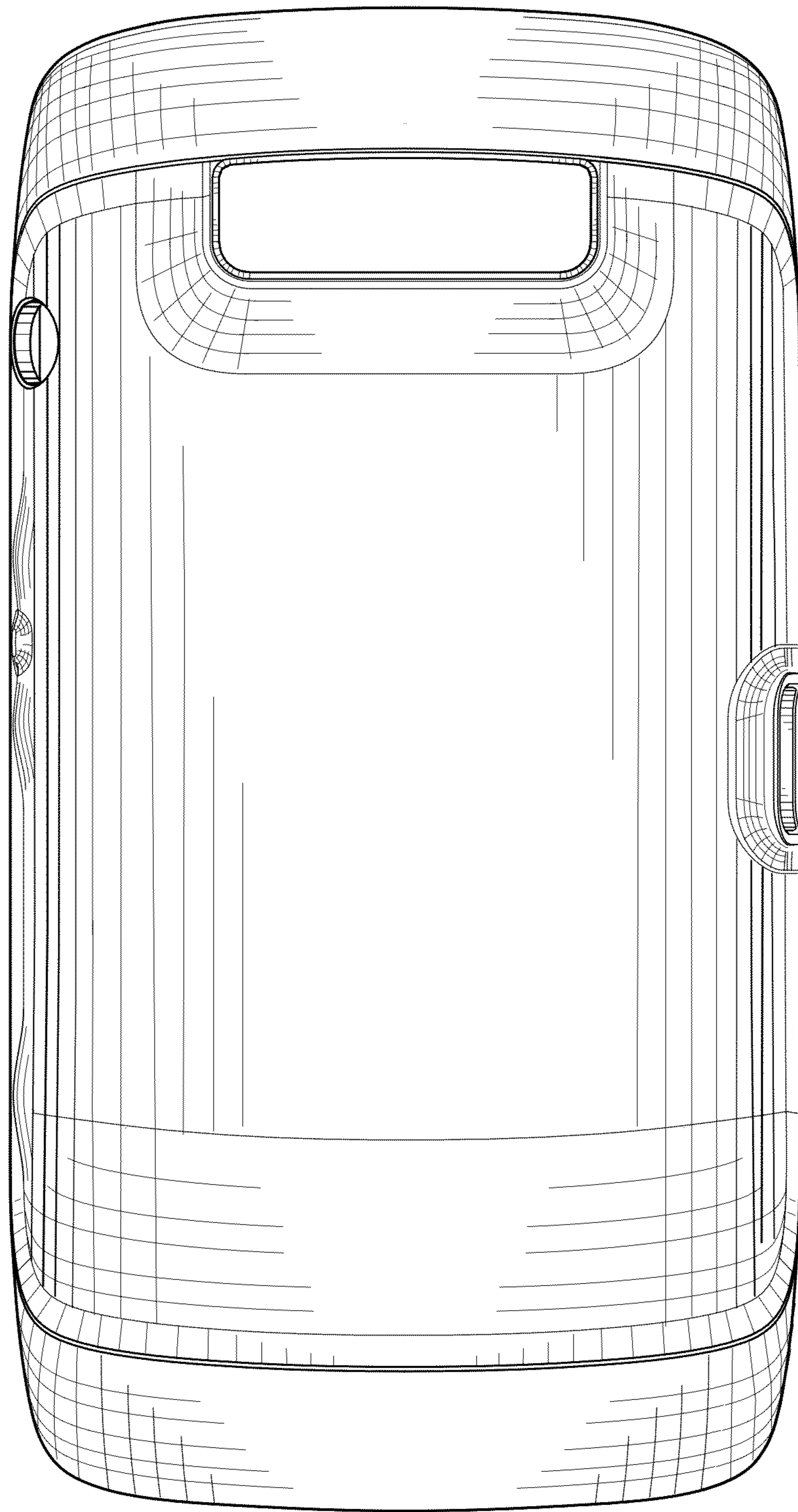


FIG.4

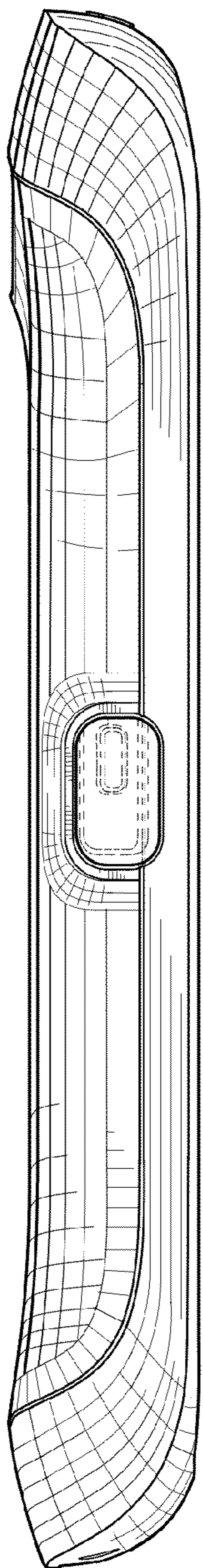


FIG.5

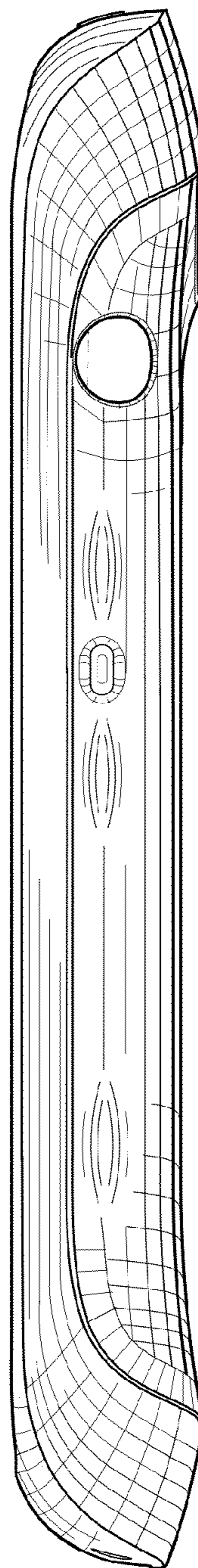


FIG.6

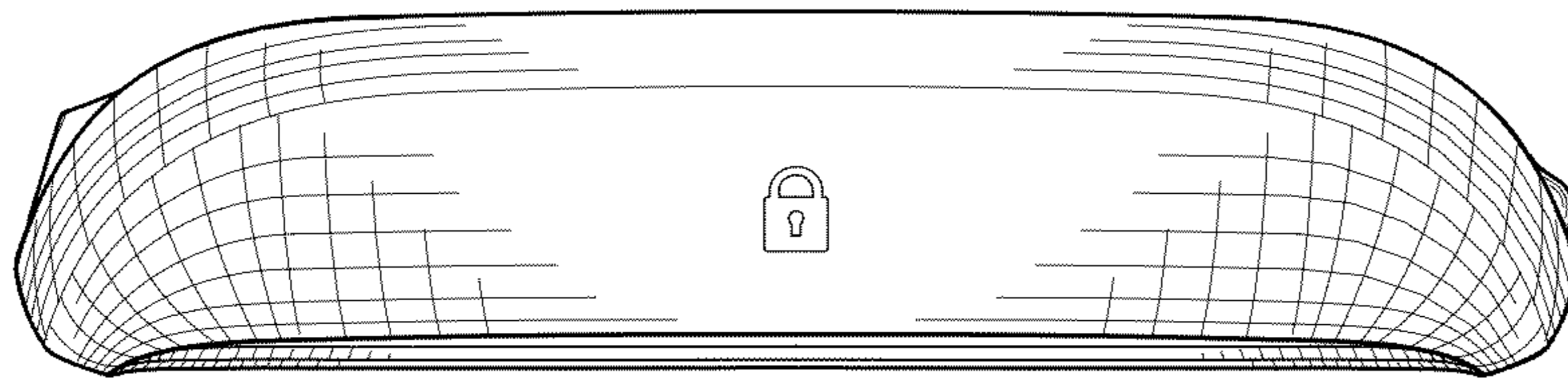


FIG.7

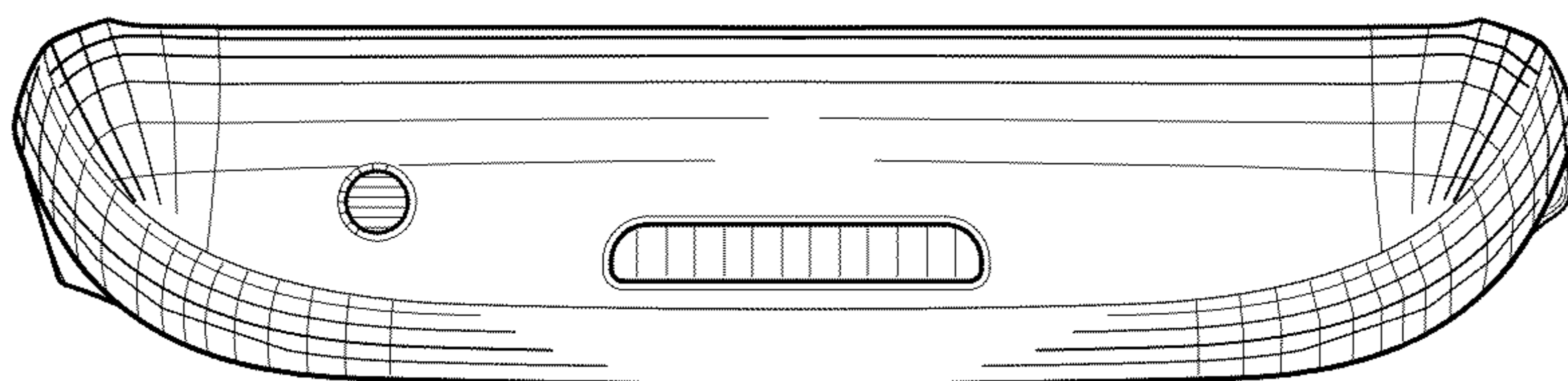


FIG.8