



US00D685772S

(12) **United States Design Patent**
Zheng et al.

(10) **Patent No.:** **US D685,772 S**
(45) **Date of Patent:** **** Jul. 9, 2013**

- (54) **ANTENNA**
- (71) Applicant: **Airgain, Inc.**, Carlsbad, CA (US)
- (72) Inventors: **Bei Zheng**, Zhangjiagang (CN);
Xlaoping Yang, Carlsbad, CA (US)
- (73) Assignee: **Airgain, Inc.**, Carlsbad, CA (US)
- (**) Term: **14 Years**
- (21) Appl. No.: **29/443,530**
- (22) Filed: **Jan. 18, 2013**
- (51) **LOC (9) Cl.** **14-03**
- (52) **U.S. Cl.**
USPC **D14/230**
- (58) **Field of Classification Search**
USPC D14/138, 230-238, 299, 358; D12/42,
D12/43; 343/700 MS, 700 R-705, 711-713,
343/735, 736, 741, 748, 767, 795, 819, 840,
343/846, 866, 871-908; 455/90.2, 90.3, 91,
455/128, 269, 344, 347, 562.1; 333/193,
333/195

See application file for complete search history.

(56) **References Cited**

U.S. PATENT DOCUMENTS

7,477,195	B2 *	1/2009	Vance	343/700 MS
D599,334	S *	9/2009	Chiang	D14/230
D606,053	S *	12/2009	Wu et al.	D14/230
D608,769	S *	1/2010	Bufe	D14/230
D612,368	S *	3/2010	Yang et al.	D14/230

7,705,783	B2 *	4/2010	Rao et al.	343/700 MS
D633,483	S *	3/2011	Su et al.	D14/230
D635,127	S *	3/2011	Tsai et al.	D14/230
D635,560	S *	4/2011	Tsai et al.	D14/230
D651,198	S *	12/2011	Mi et al.	D14/230
D654,059	S *	2/2012	Mi et al.	D14/230
D654,060	S *	2/2012	Ko et al.	D14/230
D659,129	S *	5/2012	Mi et al.	D14/230
D659,685	S *	5/2012	Huang et al.	D14/230
D659,688	S *	5/2012	Huang et al.	D14/230
D662,916	S *	7/2012	Huang et al.	D14/230
2004/0252070	A1 *	12/2004	Chuang	343/795
2007/0052591	A1 *	3/2007	Chao	343/700 MS
2008/0150829	A1 *	6/2008	Lin et al.	343/860
2009/0002244	A1 *	1/2009	Woo	343/702
2009/0058739	A1 *	3/2009	Konishi	343/702
2009/0146906	A1 *	6/2009	Anguera Pros et al.	343/906
2009/0231199	A1 *	9/2009	Vance	343/700 MS

* cited by examiner

Primary Examiner — John Windmuller

(74) *Attorney, Agent, or Firm* — Clause Eight IPS; Michael Catania

(57) **CLAIM**

The ornamental design for an antenna, as shown and described.

DESCRIPTION

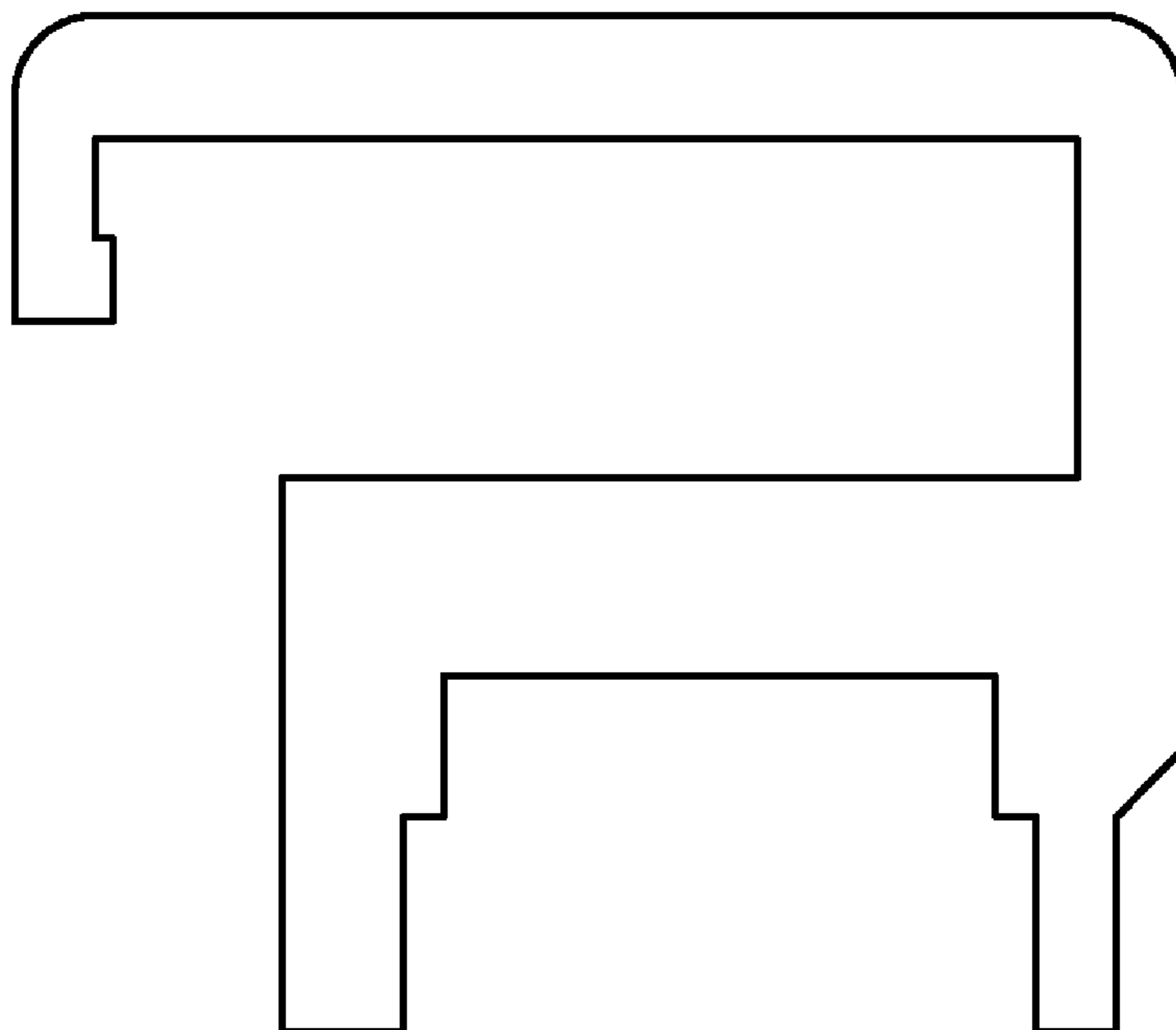
FIG. 1 is a front elevation view of an antenna showing our new design;

FIG. 2 is a side elevation view thereof;

FIG. 3 is a top plan view thereof; and,

FIG. 4 is a top perspective view thereof.

1 Claim, 1 Drawing Sheet



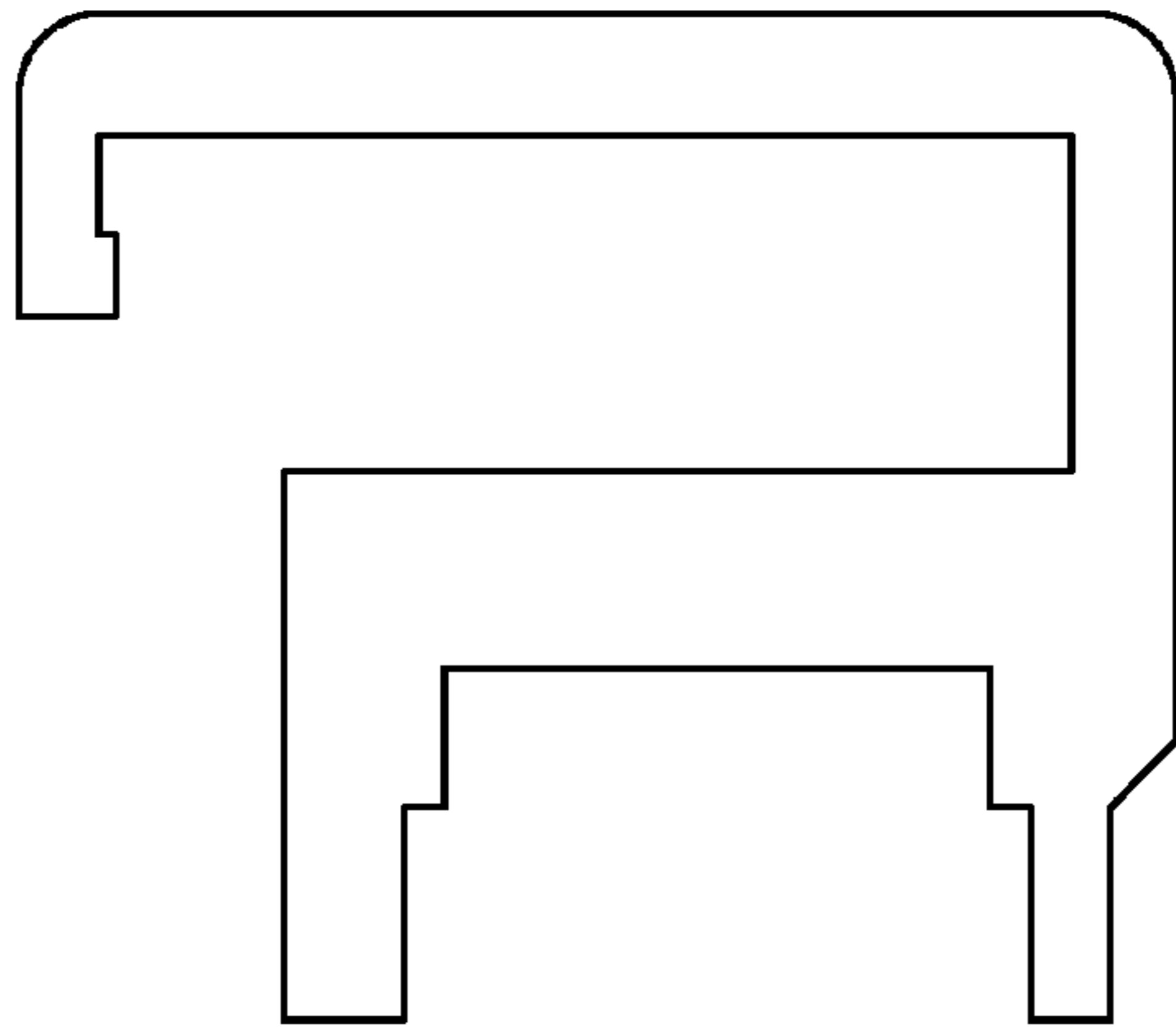


FIG. 1



FIG. 2



FIG. 3

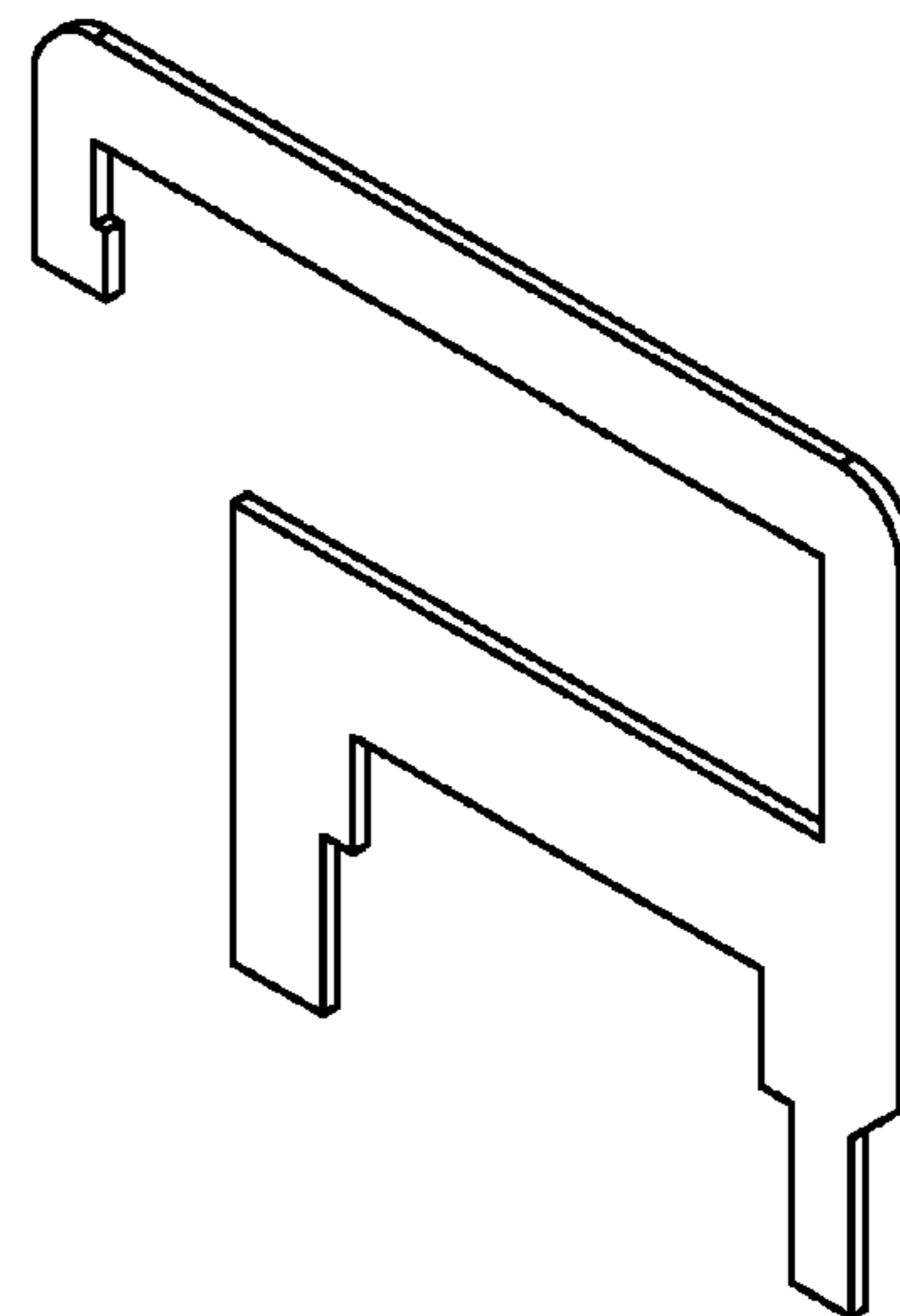


FIG. 4