



US00D685771S

(12) **United States Design Patent**  
**Bertenthal**

(10) **Patent No.:** **US D685,771 S**  
(45) **Date of Patent:** **\*\* Jul. 9, 2013**

(54) **EARPHONE HOLDER**

(71) Applicant: **David Matthew Bertenthal**, Pittsburgh, PA (US)

(72) Inventor: **David Matthew Bertenthal**, Pittsburgh, PA (US)

(\*\*) Term: **14 Years**

(21) Appl. No.: **29/433,969**

(22) Filed: **Oct. 8, 2012**

(51) **LOC (9) Cl.** ..... **14-01**

(52) **U.S. Cl.**  
USPC ..... **D14/223**

(58) **Field of Classification Search**  
USPC ..... D14/205, 223, 217; 181/129, 130, 181/135; 379/430, 431, 438; 381/380, 381, 381/374; 455/90.3, 575.1, 575.8; 242/378.1, 242/378.4, 400.1, 405; D8/356, 358  
See application file for complete search history.

(56) **References Cited**

**U.S. PATENT DOCUMENTS**

4,150,798	A *	4/1979	Aragon	.....	242/388.1
4,467,979	A *	8/1984	Koehler	.....	242/396.1
4,802,638	A *	2/1989	Burger et al.	.....	242/388.1
5,422,957	A *	6/1995	Cummins	.....	381/384
5,832,098	A *	11/1998	Chen	.....	381/370
6,059,081	A *	5/2000	Patterson et al.	.....	191/12.2 R
6,059,213	A	5/2000	Phillips		
D456,692	S *	5/2002	Epstein	.....	D8/356
6,438,248	B1 *	8/2002	Kamimura et al.	.....	381/374
6,480,611	B2 *	11/2002	Hashimoto et al.	.....	381/371
6,834,820	B2 *	12/2004	Wei	.....	242/378
6,866,219	B2 *	3/2005	Wei	.....	242/378.4
D505,859	S *	6/2005	Suzuki	.....	D8/358
D506,744	S	6/2005	Andre et al.		
7,086,512	B2 *	8/2006	Shack et al.	.....	191/12.4
D566,107	S *	4/2008	Bowling	.....	D14/223

7,372,974	B2 *	5/2008	Yanagishita et al.	.....	381/384
D583,362	S *	12/2008	Hsu et al.	.....	D14/205
7,490,791	B1 *	2/2009	Yen	.....	242/378.1
D596,927	S *	7/2009	Ting	.....	D8/356
D600,673	S *	9/2009	Kim et al.	.....	D14/205

(Continued)

**OTHER PUBLICATIONS**

<http://www.dotzshop.com/index.php/cord-management-products/ear-bud-wraps/earbud-wrap.html#>.

(Continued)

*Primary Examiner* — Paula Greene

(74) *Attorney, Agent, or Firm* — Lee Kim

(57) **CLAIM**

The ornamental design for an earphone holder, as shown and described.

**DESCRIPTION**

FIG. 1 is an isometric top view showing my new design for an earphone holder,

FIG. 2 is an isometric bottom view thereof,

FIG. 3 is a top view thereof,

FIG. 4 is a bottom view thereof,

FIG. 5 is a side elevation view thereof,

FIG. 6 is a rotated side elevation view thereof,

FIG. 7 is an isometric bottom view showing the earphone holder in use,

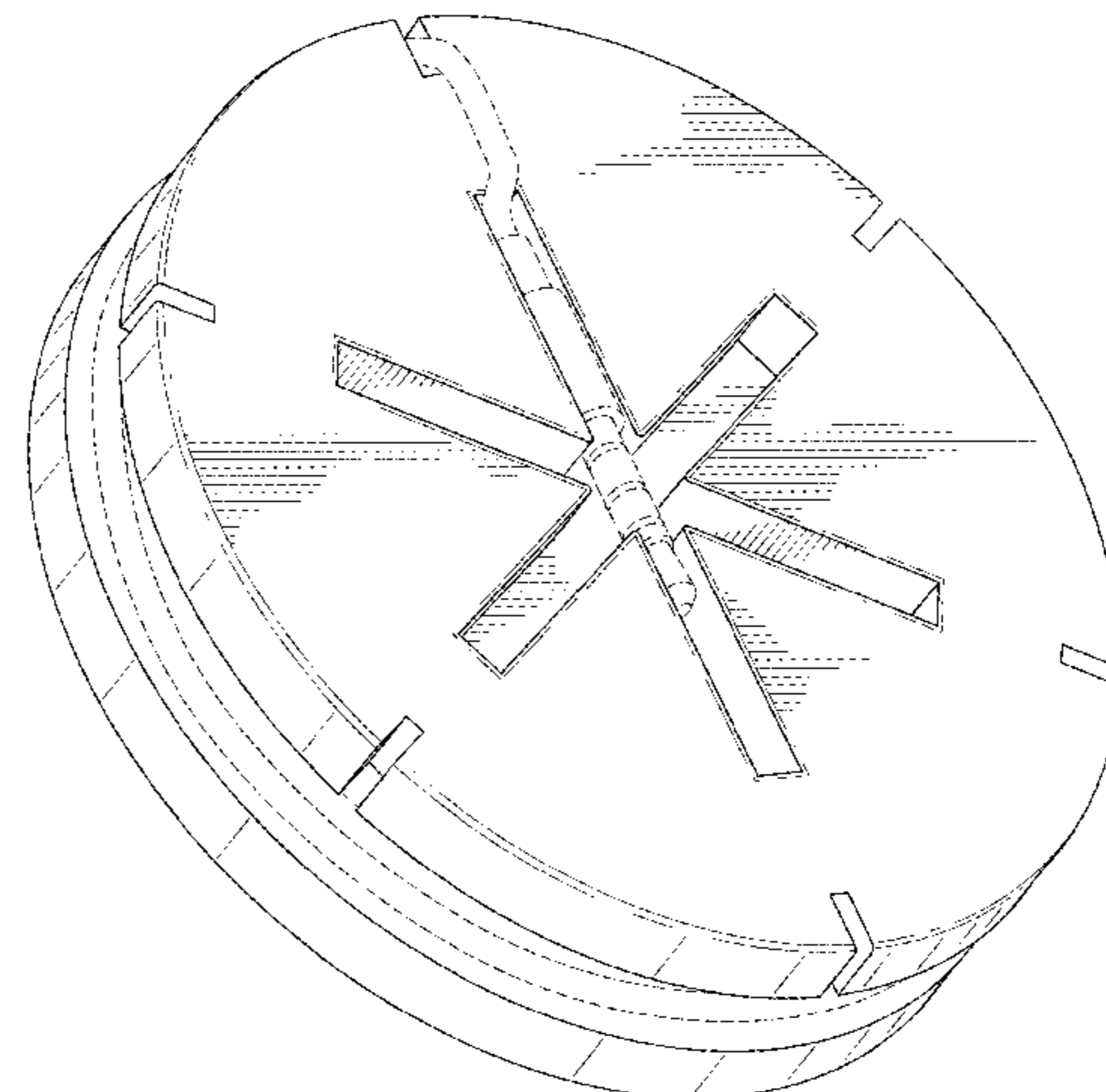
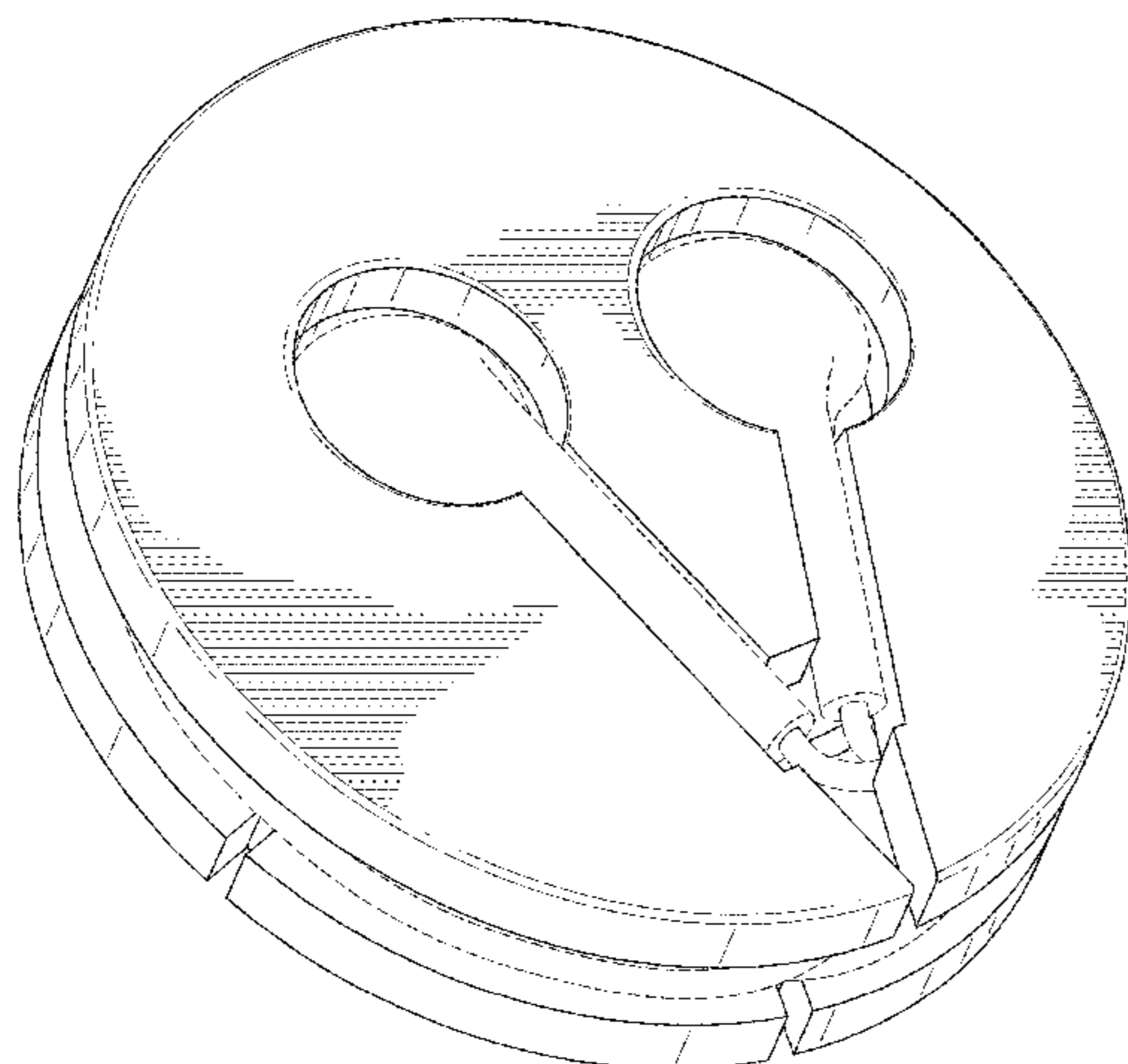
FIG. 8 is a bottom view showing the earphone holder in use,

FIG. 9 is a bottom view of an alternate embodiment; and,

FIG. 10 is an isometric bottom view of an alternate embodiment thereof.

The broken lines as shown in FIGS. 7 and 8 form no part of the claimed design. The shade lines in FIGS. 1 through 4 and 7 through 10 show contour and/or character of the surfaces and are not surface ornamentation.

**1 Claim, 9 Drawing Sheets**



U.S. PATENT DOCUMENTS

D601,884 S 10/2009 Andre et al.  
7,661,623 B2 2/2010 Peng et al.  
D620,781 S \* 8/2010 Weckworth ..... D8/356  
D637,584 S 5/2011 Peller  
8,167,102 B2 \* 5/2012 Skillman ..... 191/12.2 R  
8,186,642 B2 5/2012 Weiss-Vons  
D667,390 S \* 9/2012 Matera ..... D14/223  
D676,833 S \* 2/2013 Garcia et al. .... D14/223  
2005/0123164 A1 6/2005 Yao et al.  
2008/0298626 A1 12/2008 Dean  
2009/0194630 A1 8/2009 Thiyagarajan  
2012/0077556 A1 3/2012 McKendrick  
2012/0128193 A1 5/2012 Stevinson

OTHER PUBLICATIONS

[http://www.amazon.com/Dotz-Earbud-Cable-Management-EBW33MCK/dp/B0085U9DOQ/ref=sr\\_1\\_3?s=office-products&ie=UTF8&qid=1341866099&sr=1-3](http://www.amazon.com/Dotz-Earbud-Cable-Management-EBW33MCK/dp/B0085U9DOQ/ref=sr_1_3?s=office-products&ie=UTF8&qid=1341866099&sr=1-3).  
[http://www.amazon.com/eForCity-Premium-Headset-Repelling-Silicone/dp/B000NHTMCW/ref=sr\\_1\\_6?ie=UTF8&qid=1341866584&sr=8-6&keywords=ear+bud+smart+wrap](http://www.amazon.com/eForCity-Premium-Headset-Repelling-Silicone/dp/B000NHTMCW/ref=sr_1_6?ie=UTF8&qid=1341866584&sr=8-6&keywords=ear+bud+smart+wrap).  
[http://www.amazon.com/Kikkerland-US18-BK-Robo-Buddy-Buds/dp/B007EQVAK2/ref=sr\\_1\\_11?ie=UTF8&qid=1341866584&sr=8-11&keywords=ear+bud+smart+wrap](http://www.amazon.com/Kikkerland-US18-BK-Robo-Buddy-Buds/dp/B007EQVAK2/ref=sr_1_11?ie=UTF8&qid=1341866584&sr=8-11&keywords=ear+bud+smart+wrap).

\* cited by examiner

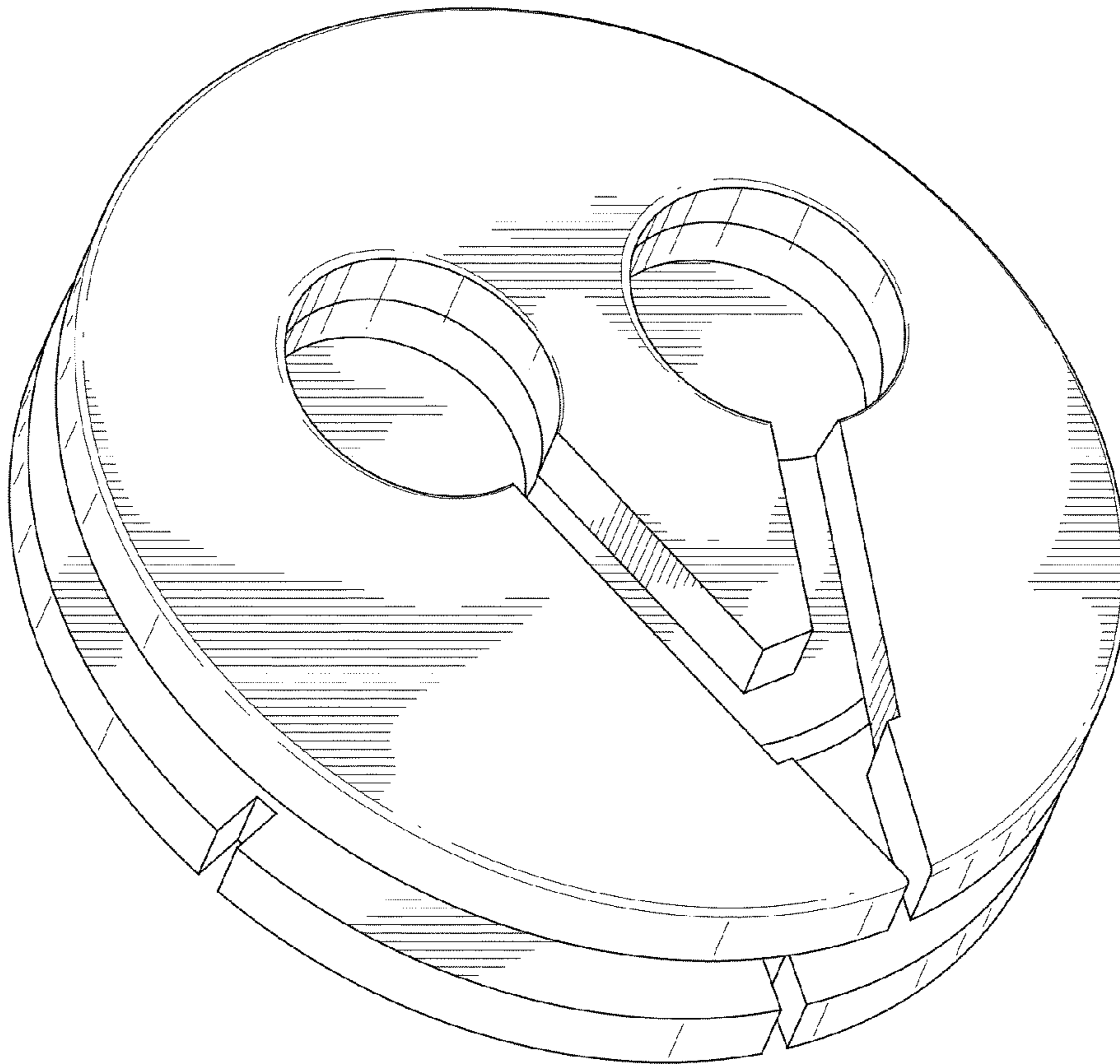


FIG. 1

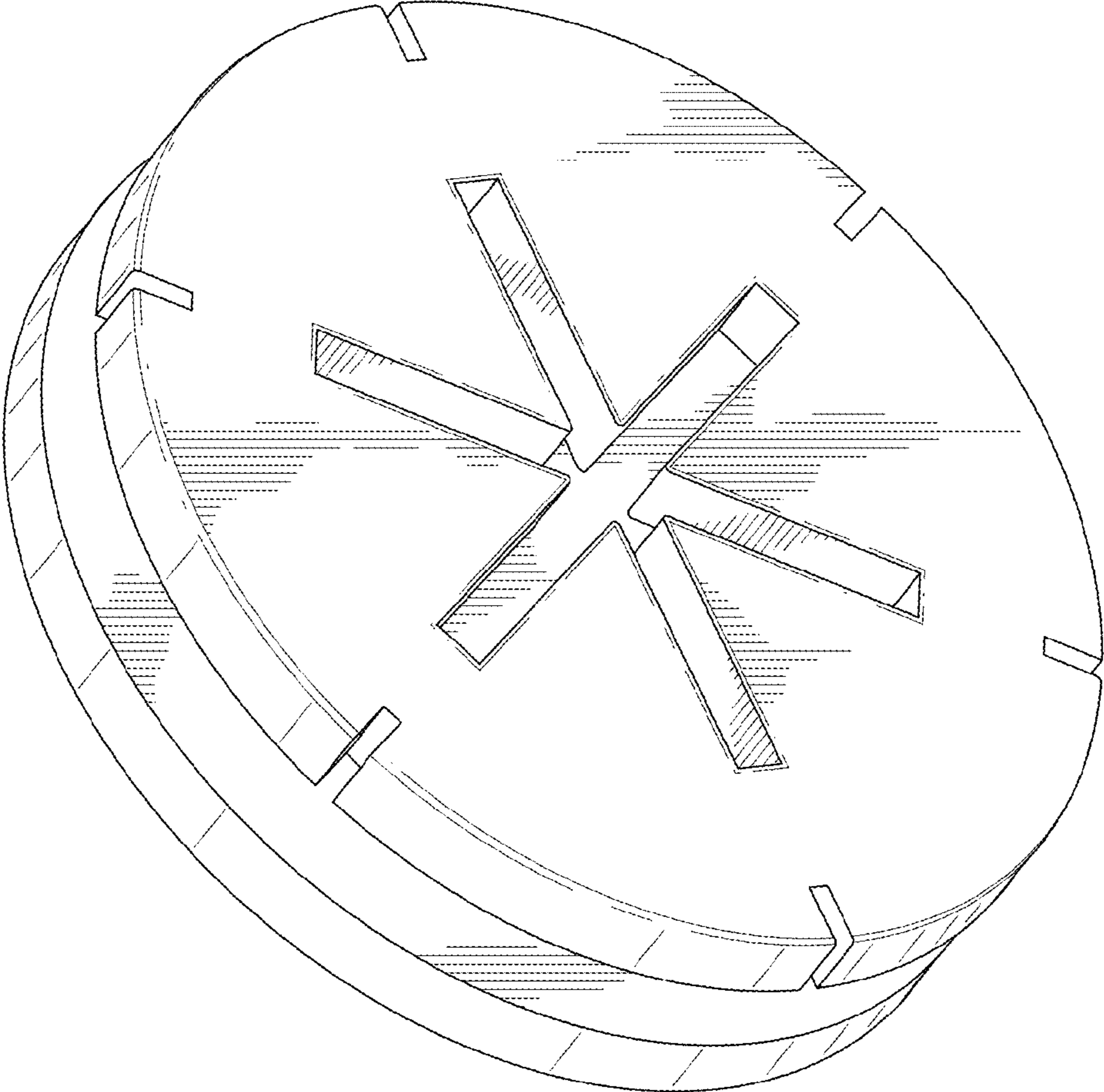


FIG.2



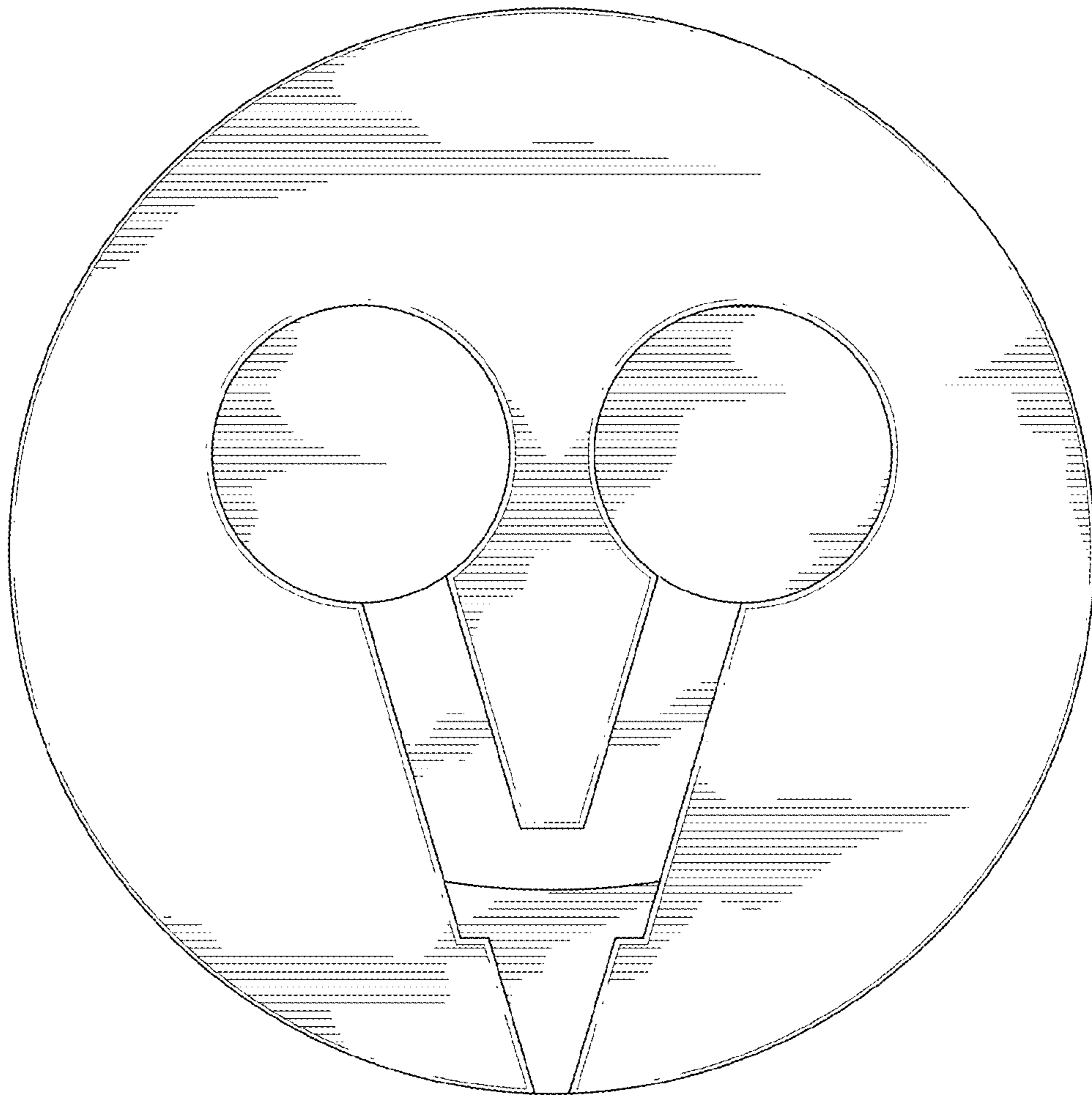


FIG. 3

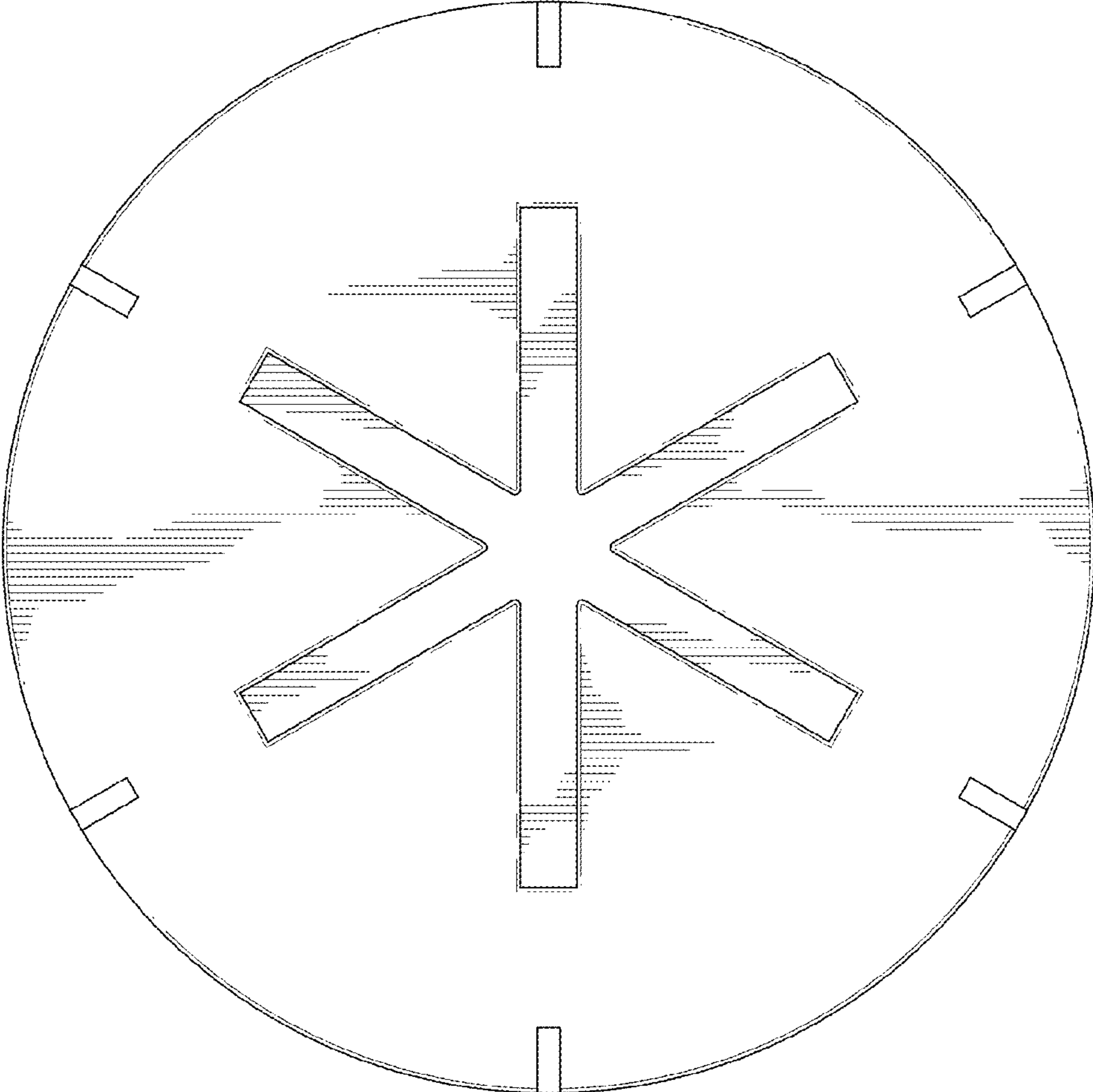


FIG.4

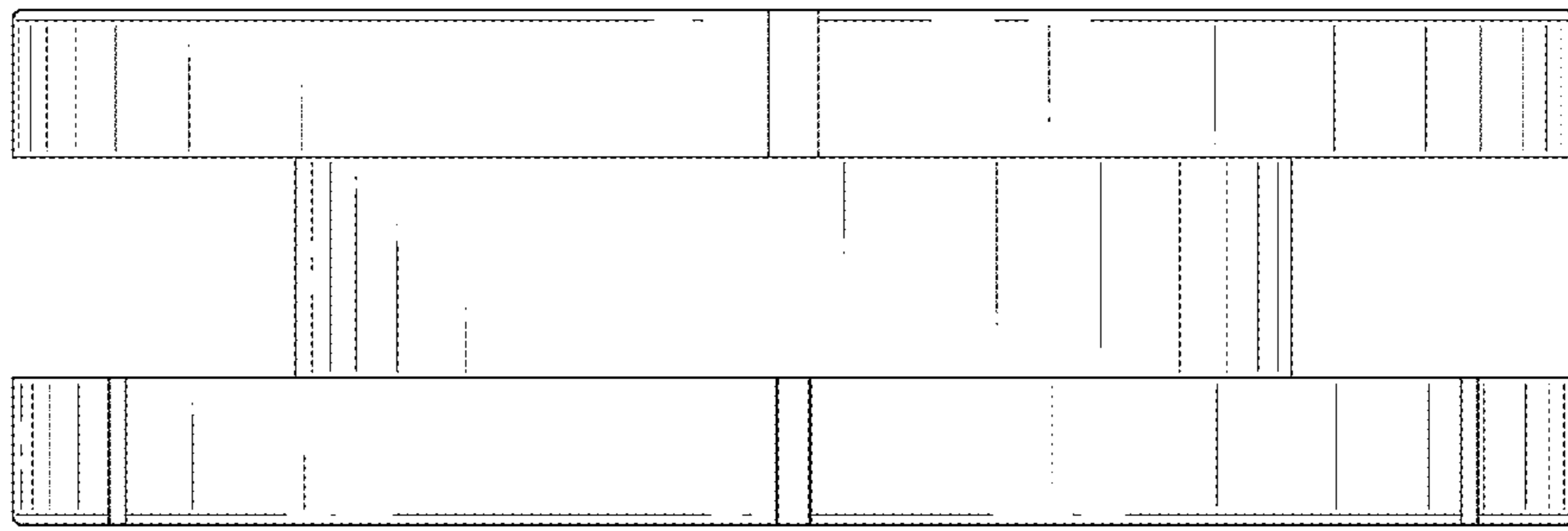


FIG. 5

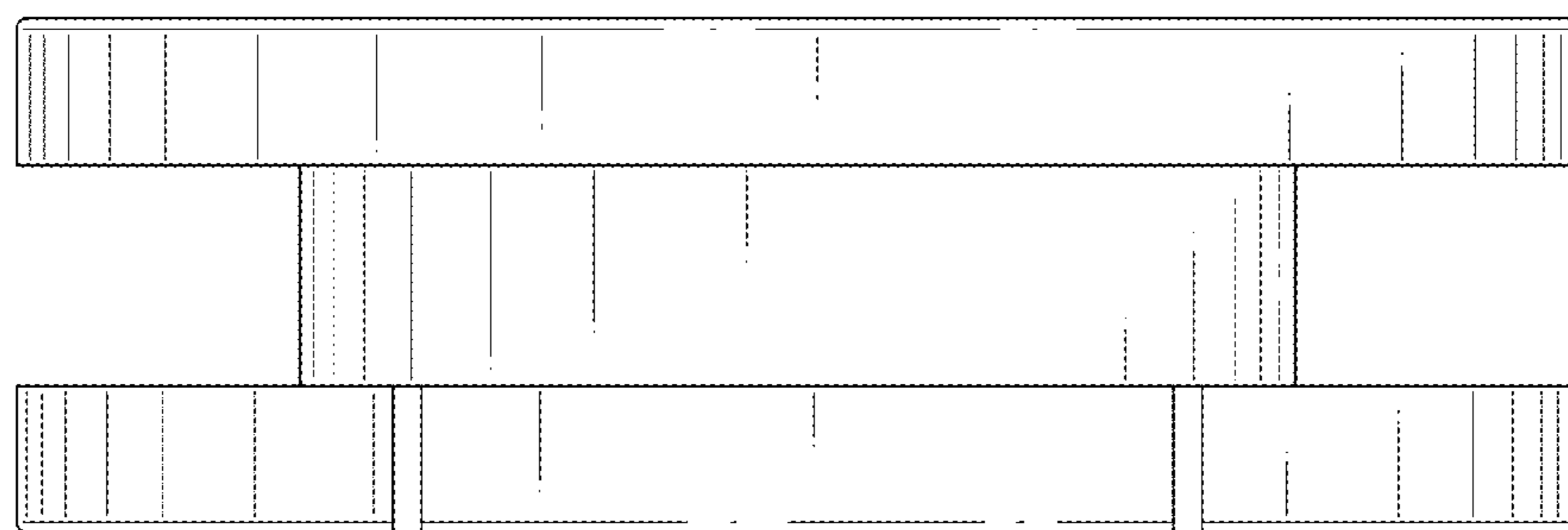


FIG. 6

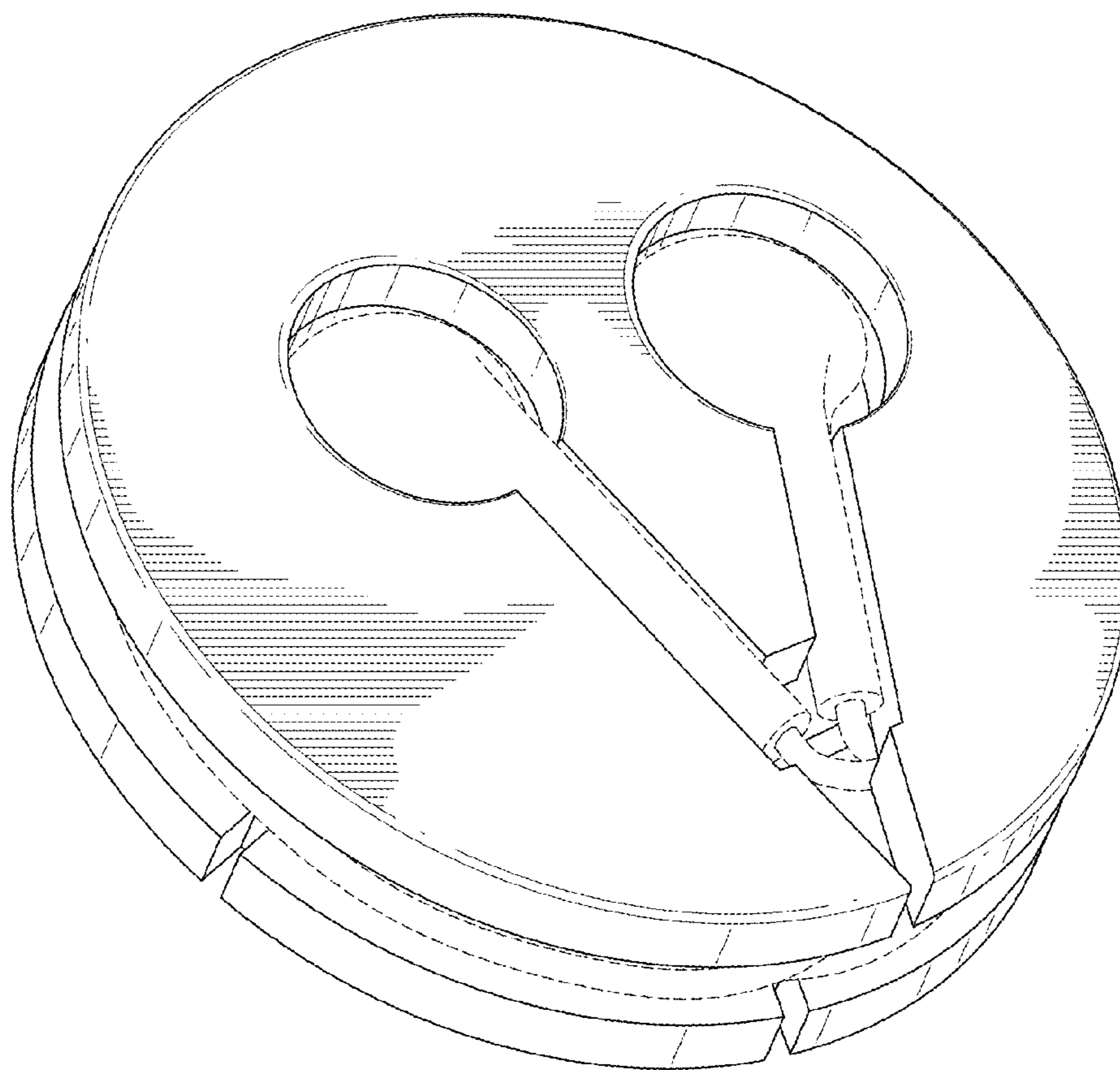


FIG. 7



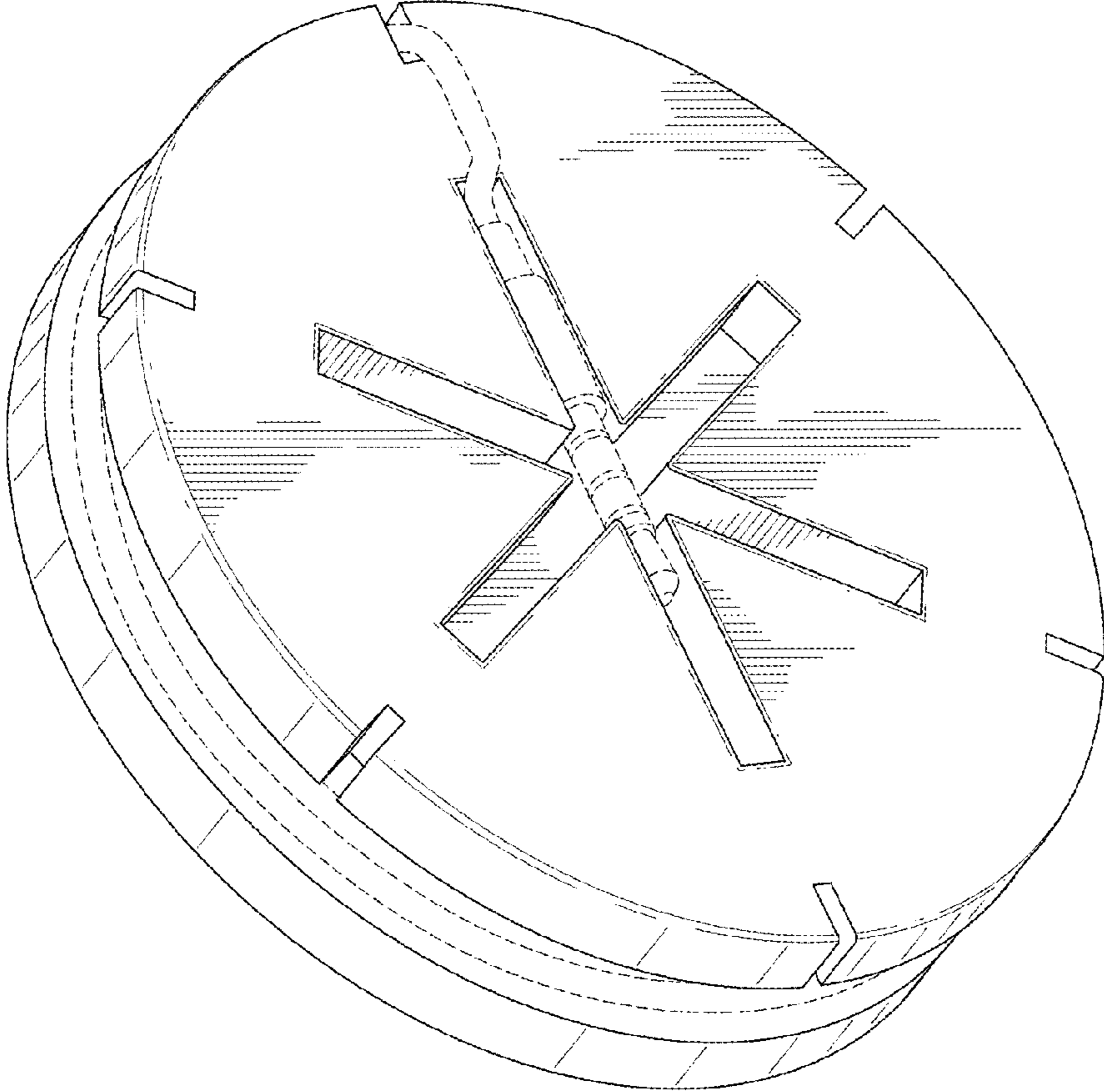


FIG.8

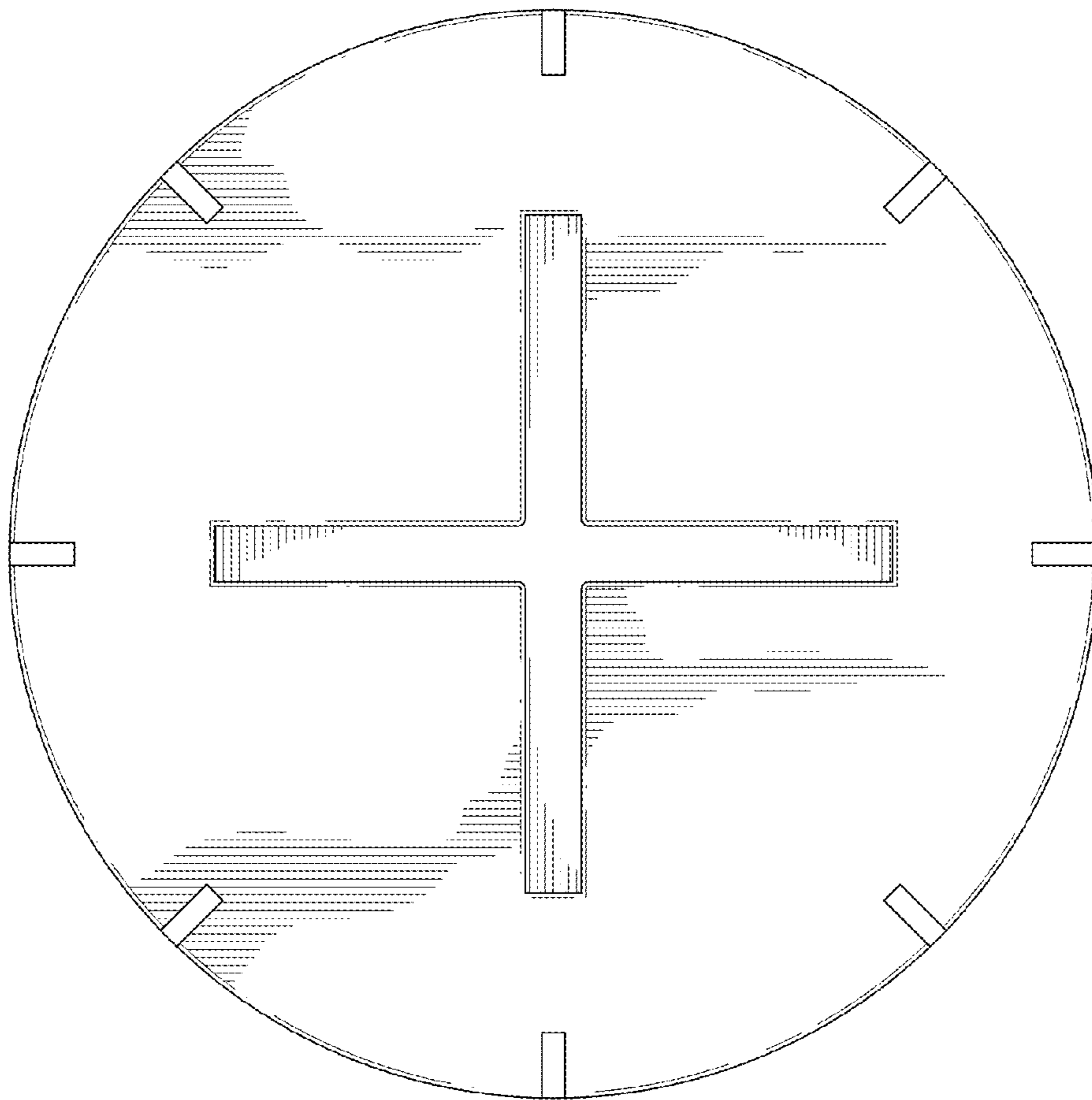


FIG. 9

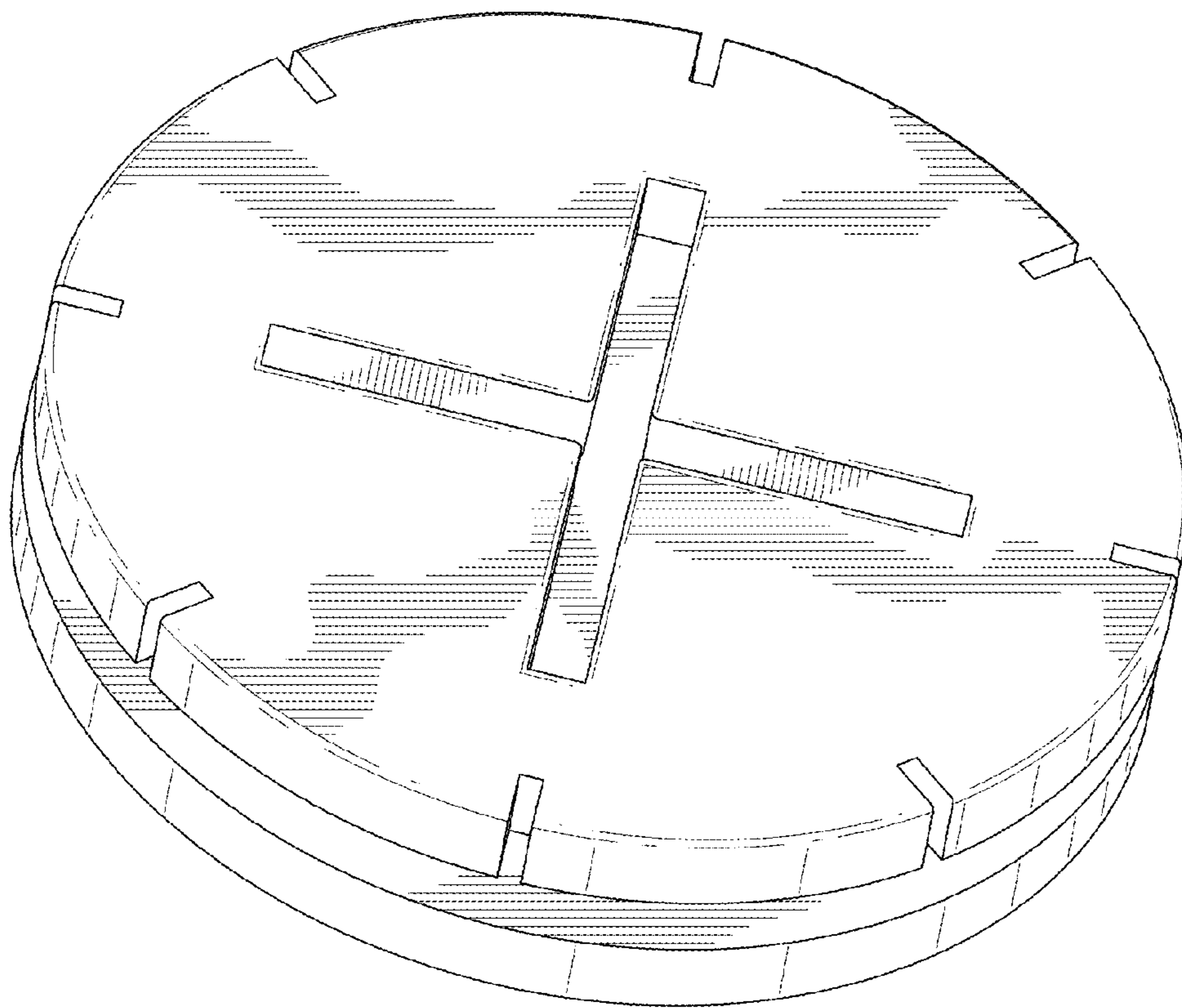


FIG. 10