



US00D685770S

(12) **United States Design Patent**
Lee et al.

(10) **Patent No.:** **US D685,770 S**
(45) **Date of Patent:** **** Jul. 9, 2013**

(54) **HEADPHONE**

(75) Inventors: **Noel Lee**, Las Vegas, NV (US);
Kendrew Lee, Hong Kong (CN); **Jacky Hsiung**, San Jose, CA (US); **Man Ting Lo**, Hong Kong (CN)

(73) Assignee: **Monster Cable Products, Inc.**,
Brisbane, CA (US)

(**) Term: **14 Years**

(21) Appl. No.: **29/422,641**

(22) Filed: **May 22, 2012**

(51) **LOC (9) Cl.** **14-01**

(52) **U.S. Cl.**
USPC **D14/223**

(58) **Field of Classification Search**
USPC .. D14/223, 205; 181/129, 130, 135; 379/430,
379/431; 381/380, 381; 455/90.3, 575.1
See application file for complete search history.

(56) **References Cited**

U.S. PATENT DOCUMENTS

2,248,837	A	*	7/1941	Walters	381/380
D510,337	S	*	10/2005	Tages	D14/205
D519,487	S	*	4/2006	Knight	D14/188
D599,781	S	*	9/2009	Lee et al.	D14/205
D626,117	S	*	10/2010	Lowry	D14/223
D628,565	S	*	12/2010	Wu et al.	D14/223
D641,736	S	*	7/2011	Brunner et al.	D14/223

D643,417	S	*	8/2011	Lee et al.	D14/223
D660,292	S	*	5/2012	Rautiainen	D14/223
D660,826	S	*	5/2012	Brunner et al.	D14/223
D666,580	S	*	9/2012	Lee et al.	D14/223
D669,058	S	*	10/2012	Lee et al.	D14/223
D670,275	S	*	11/2012	Tompkin et al.	D14/223
D673,531	S	*	1/2013	Lee et al.	D14/223
D673,532	S	*	1/2013	Lee	D14/223
D676,026	S	*	2/2013	Lee et al.	D14/223

* cited by examiner

Primary Examiner — Paula Greene

(74) *Attorney, Agent, or Firm* — LaRiviere, Grubman & Payne, LLP

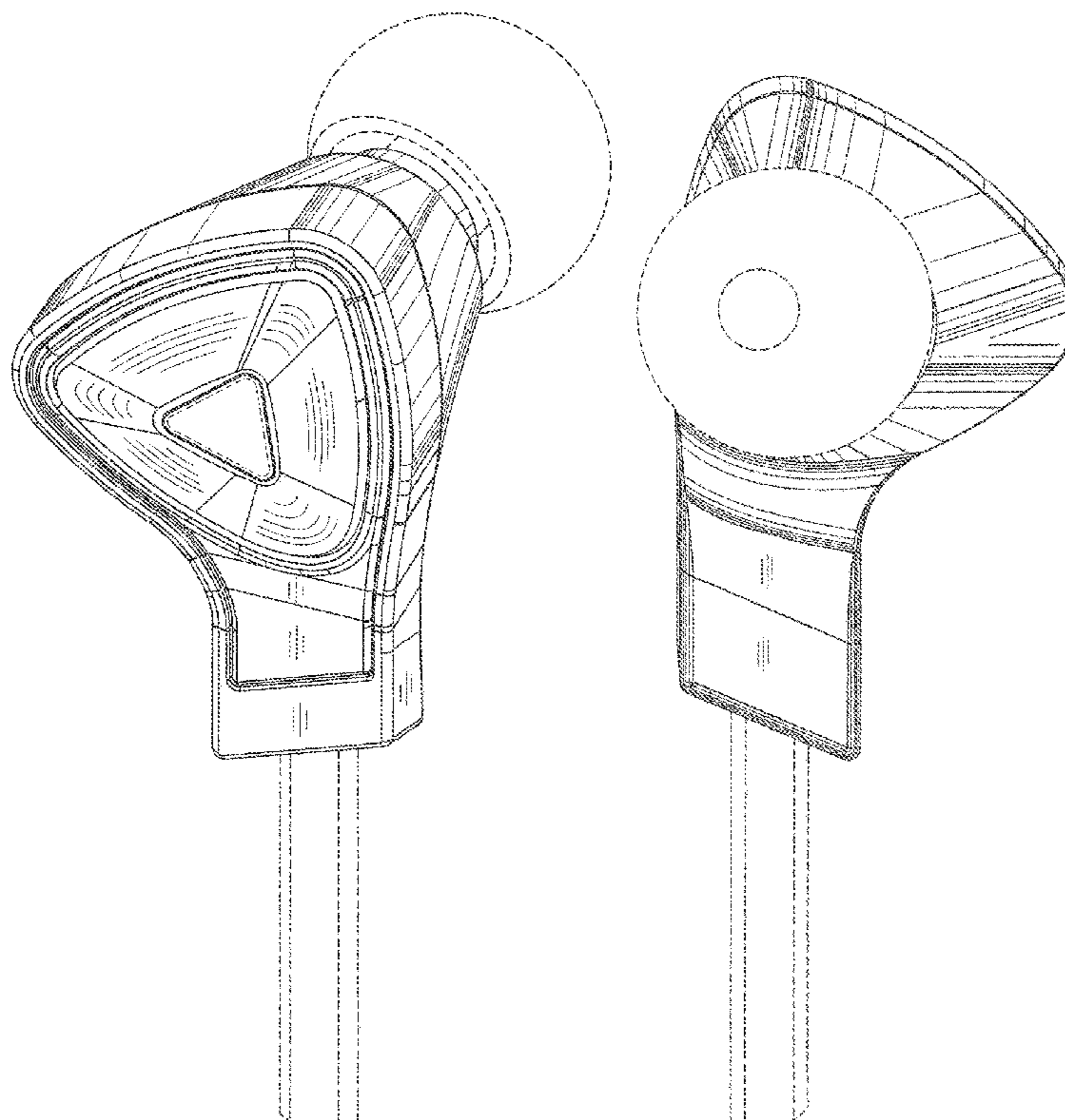
(57) **CLAIM**

The ornamental design for a headphone, as shown and described.

DESCRIPTION

FIG. 1 is a perspective view of a headphone, showing our design;
FIG. 2 is an opposing perspective view thereof;
FIG. 3 is front view thereof;
FIG. 4 is a rear view thereof;
FIG. 5 is a side view thereof;
FIG. 6 is an opposing side view thereof;
FIG. 7 is a top view thereof; and,
FIG. 8 is a bottom view thereof.
The broken lines showing the environment are for illustrative purposes only and form no part of the claimed design.

1 Claim, 4 Drawing Sheets



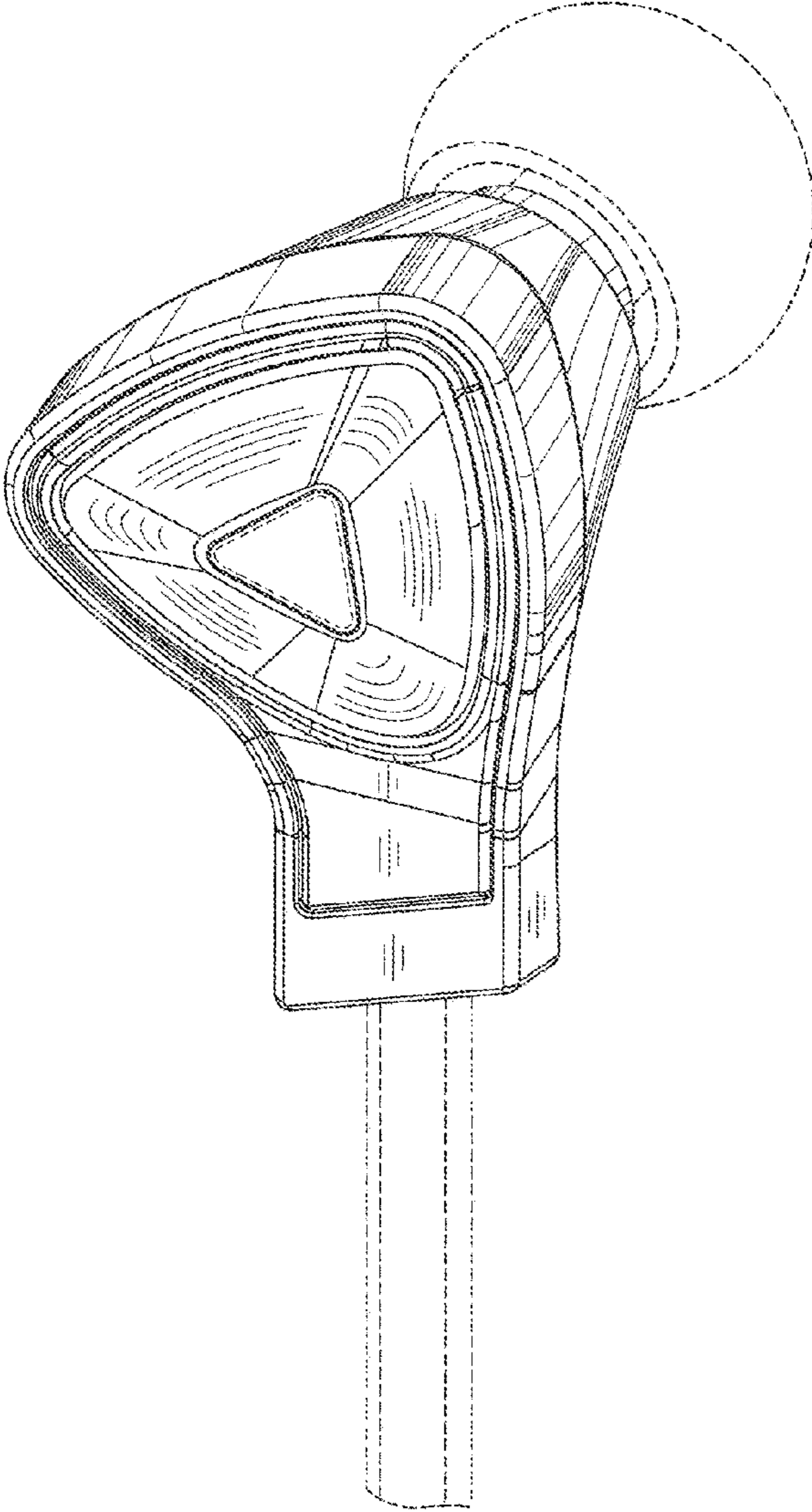


Figure 1

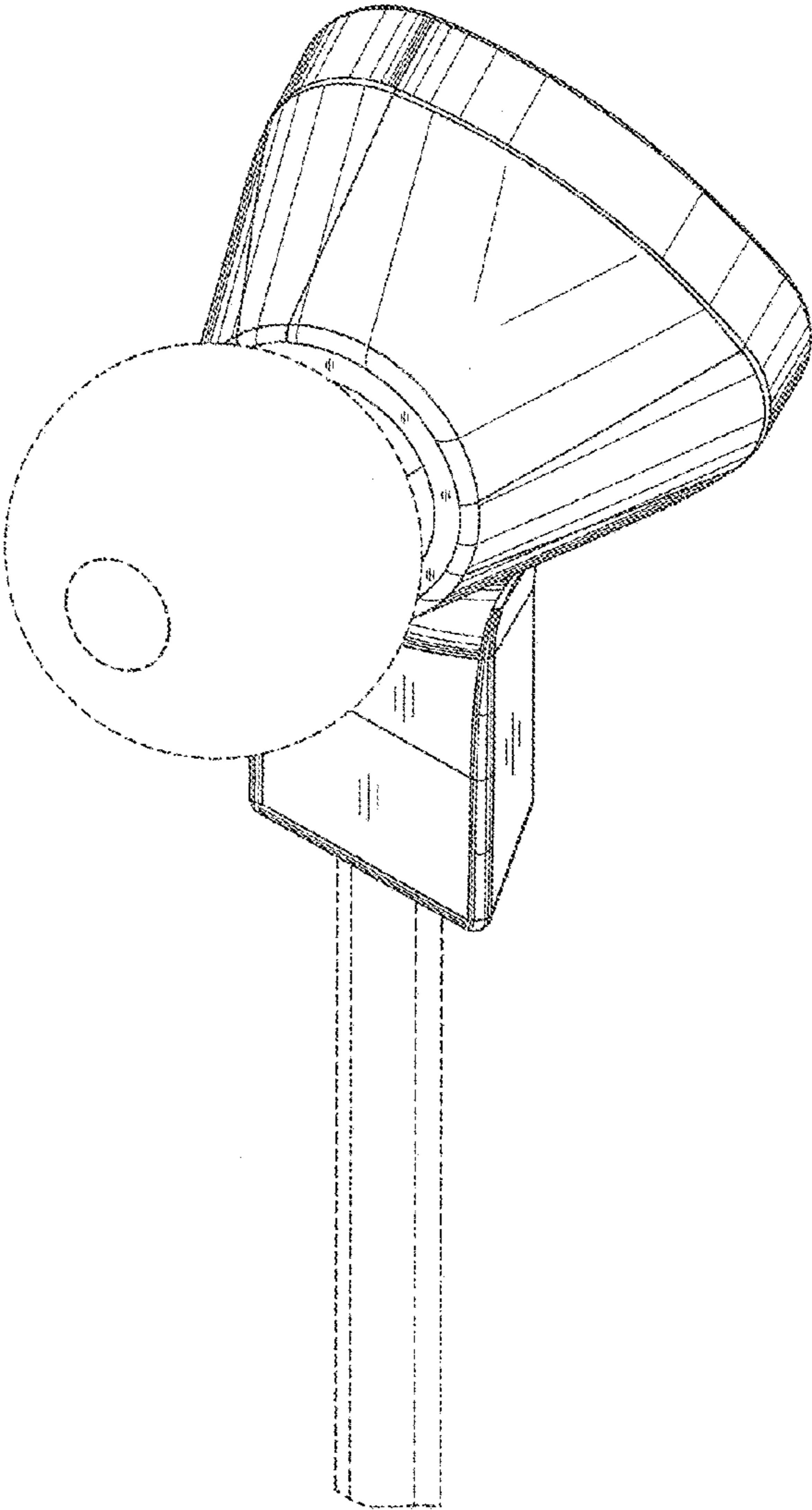


Figure 2

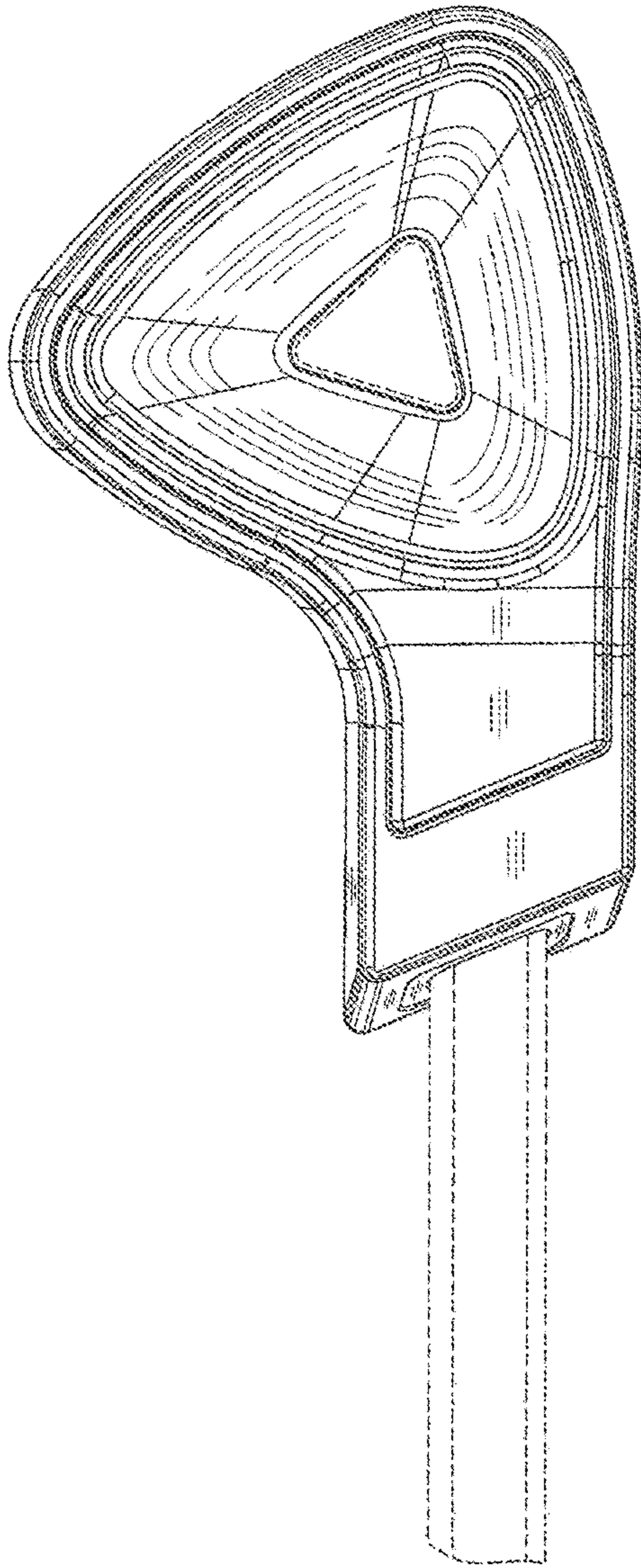


Figure 3

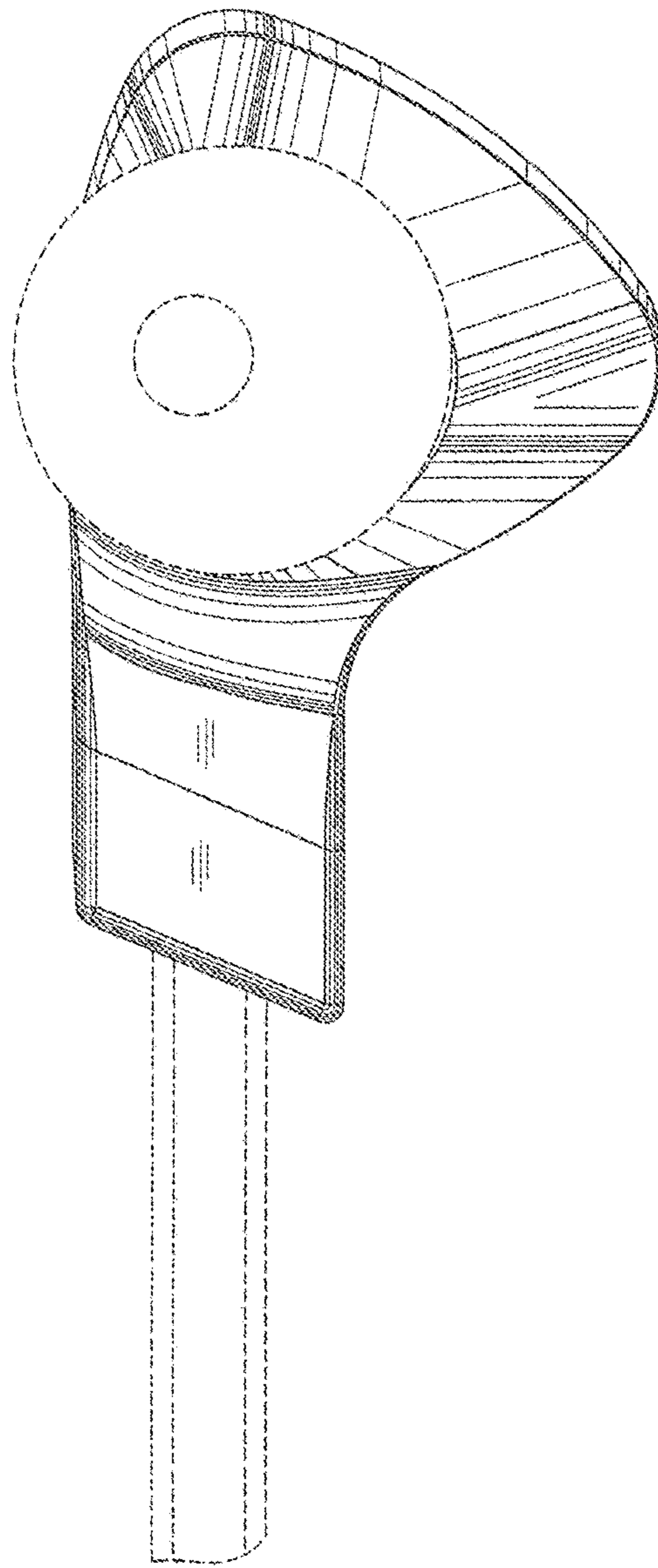


Figure 4

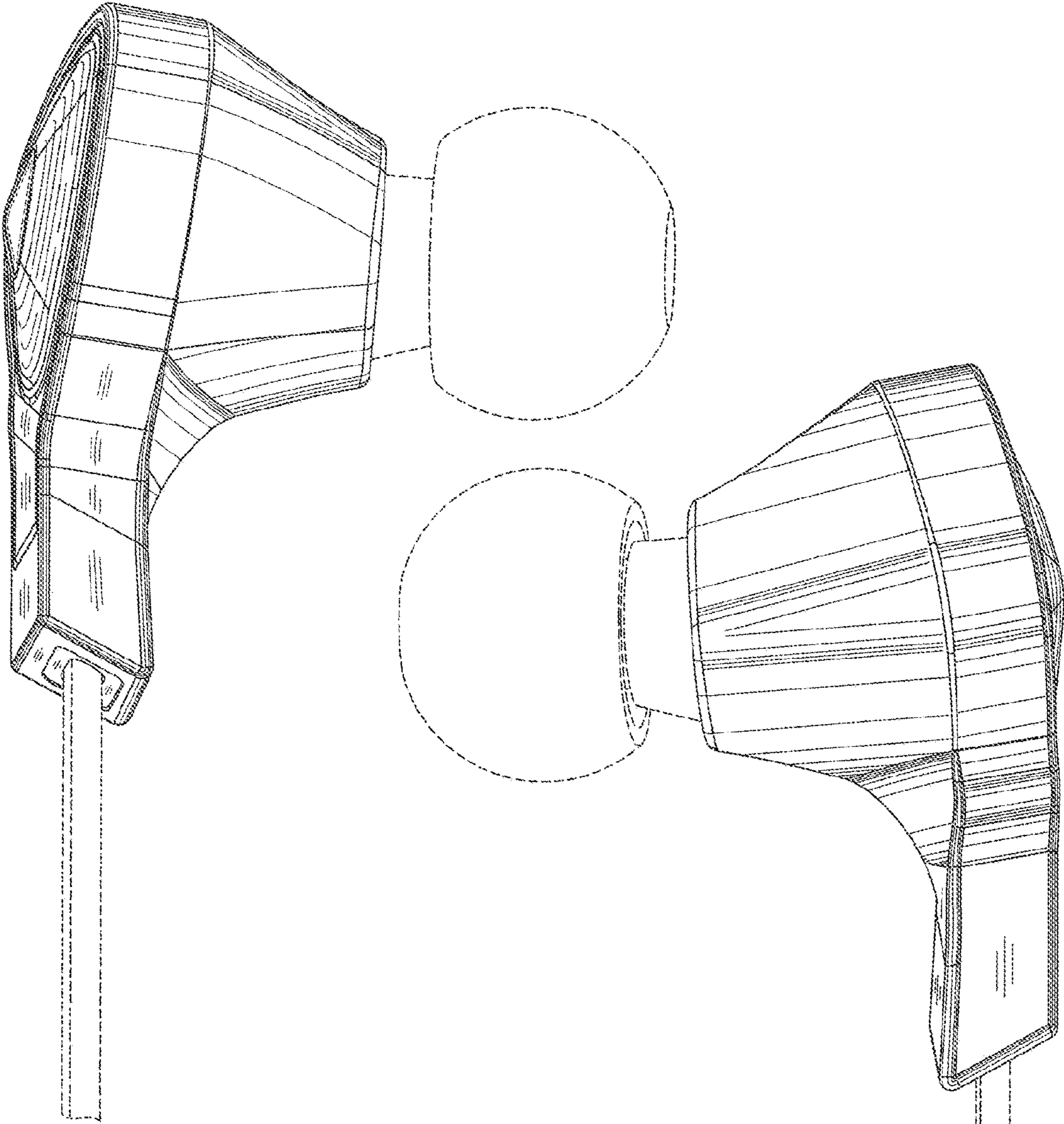


Figure 5

Figure 6

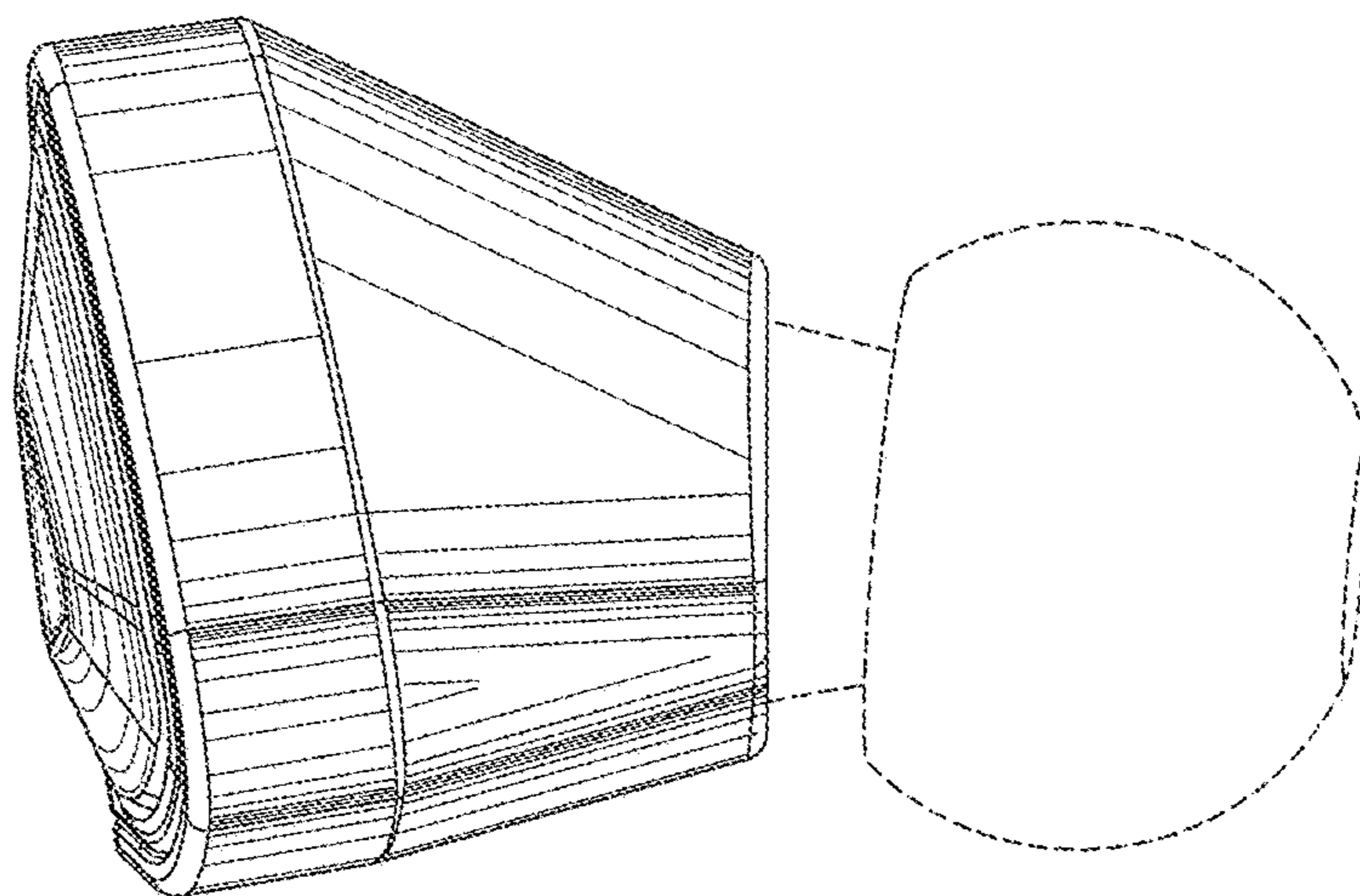


Figure 7

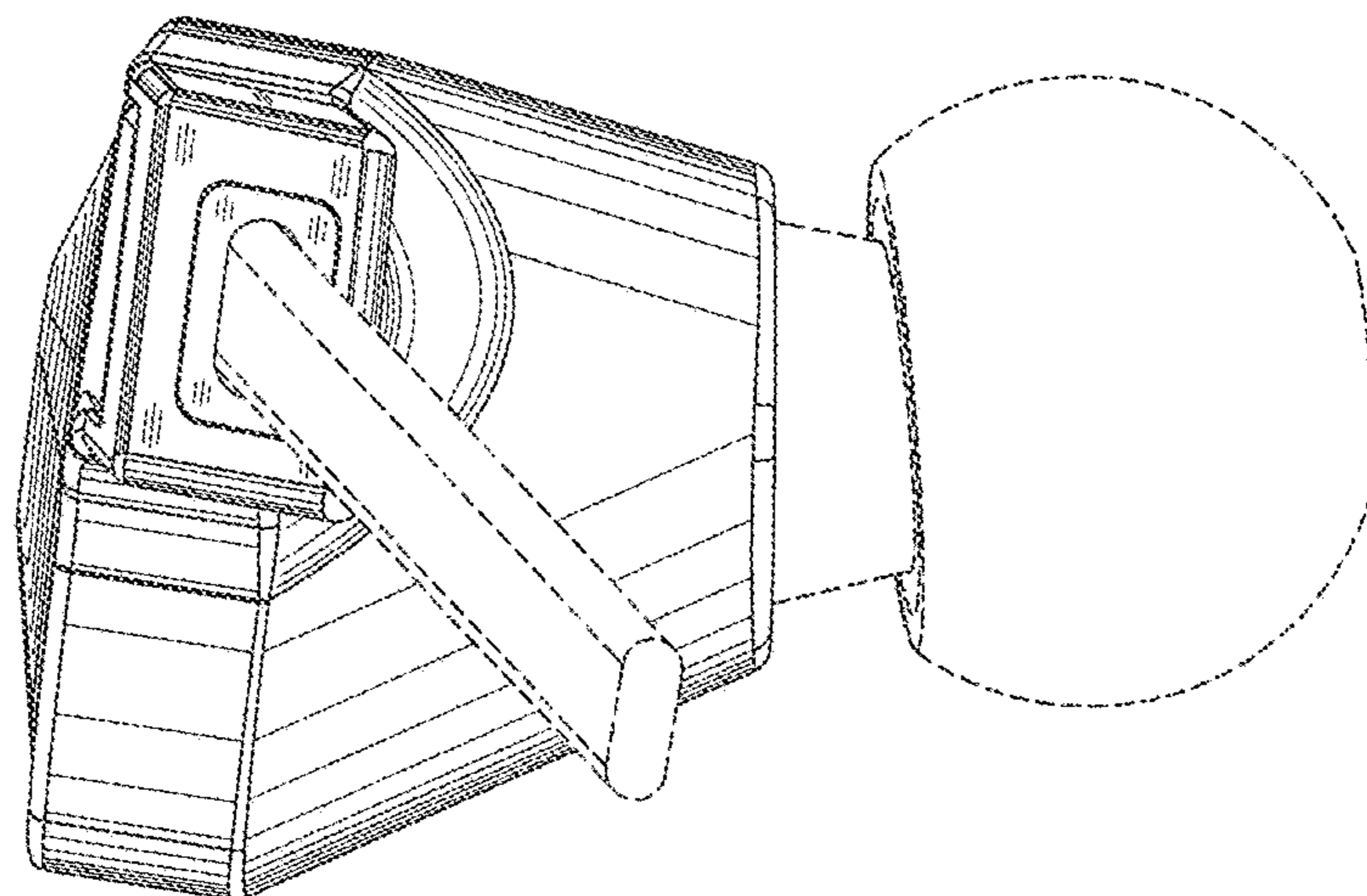


Figure 8