



US00D685769S

(12) **United States Design Patent**  
**Mogili**

(10) **Patent No.:** **US D685,769 S**

(45) **Date of Patent:** **\*\* Jul. 9, 2013**

(54) **EARPHONE**

(75) Inventor: **Rajender Mogili**, Alexandra Technopark (SG)

(73) Assignee: **Sennheiser electronic GmbH & Co. KG**, Wedemark (DE)

(\*\*) Term: **14 Years**

(21) Appl. No.: **29/417,519**

(22) Filed: **Apr. 4, 2012**

(30) **Foreign Application Priority Data**

Oct. 4, 2011 (EM) ..... 001 296 206-0001-0009

(51) **LOC (9) Cl.** ..... **14-01**

(52) **U.S. Cl.**  
USPC ..... **D14/223**

(58) **Field of Classification Search**  
USPC ..... D14/205, 206, 223; 181/129, 130,  
181/135; 379/430, 431; 381/380, 381; 455/90.3,  
455/575.1  
See application file for complete search history.

(56) **References Cited**

**U.S. PATENT DOCUMENTS**

4,588,867	A	*	5/1986	Konomi	.....	379/430
D431,553	S	*	10/2000	Suzuki	.....	D14/223
D564,495	S	*	3/2008	Sasaki	.....	D14/205
D586,332	S	*	2/2009	Ewert et al.	.....	D14/223
D591,722	S	*	5/2009	Densho	.....	D14/205
D593,537	S	*	6/2009	Arimoto	.....	D14/205

D605,182	S	*	12/2009	Fagnot	.....	D14/223
D612,841	S	*	3/2010	Harbeke et al.	.....	D14/223
D619,122	S	*	7/2010	Nomura	.....	D14/223
D623,630	S	*	9/2010	Ohori et al.	.....	D14/223
D627,764	S	*	11/2010	Tsai et al.	.....	D14/223
D628,193	S	*	11/2010	Zheng	.....	D14/223
D629,793	S	*	12/2010	Goransson	.....	D14/223
D632,677	S	*	2/2011	Brown et al.	.....	D14/223
D633,086	S	*	2/2011	Chen	.....	D14/223
D662,495	S	*	6/2012	Andre et al.	.....	D14/223
D664,523	S	*	7/2012	Naitou	.....	D14/223
8,265,323	B2	*	9/2012	Stiehl et al.	.....	381/371
D668,244	S	*	10/2012	Matsumura	.....	D14/223
D669,453	S	*	10/2012	Katsuraku et al.	.....	D14/223

\* cited by examiner

*Primary Examiner* — Paula Greene

(74) *Attorney, Agent, or Firm* — Frommer Lawrence & Haug LLP

(57) **CLAIM**

The ornamental design for an earphone, as shown and described.

**DESCRIPTION**

FIG. 1 is a front elevational view of an earphone showing my new design;

FIG. 2 is a side elevational view thereof;

FIG. 3 is a bottom view of the earphone in accordance with the invention.

FIG. 4 is a top view of the earphone in accordance with the invention.

FIG. 5 is a rear elevational view thereof; and,

FIG. 6 is a side elevational view thereof.

**1 Claim, 6 Drawing Sheets**

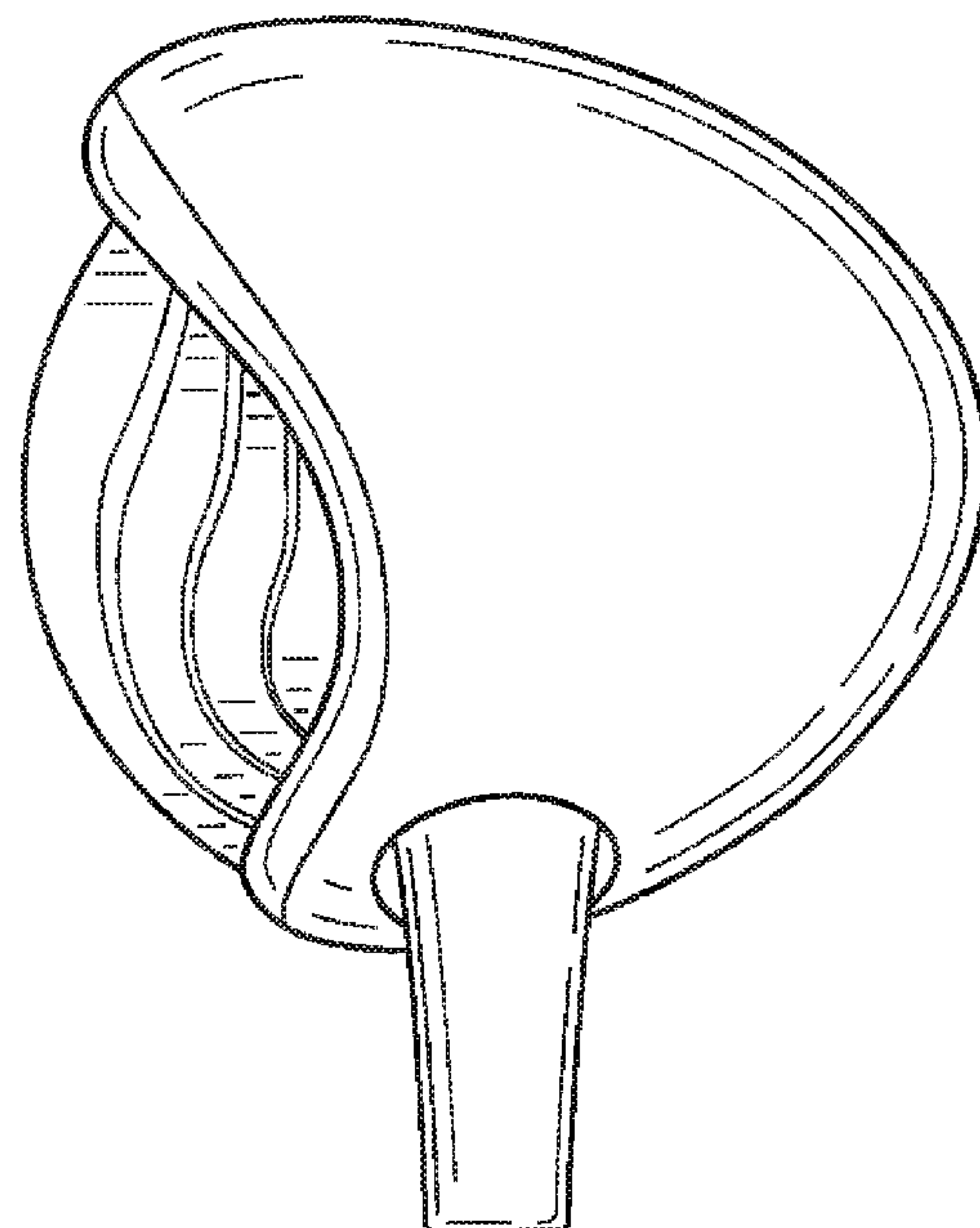
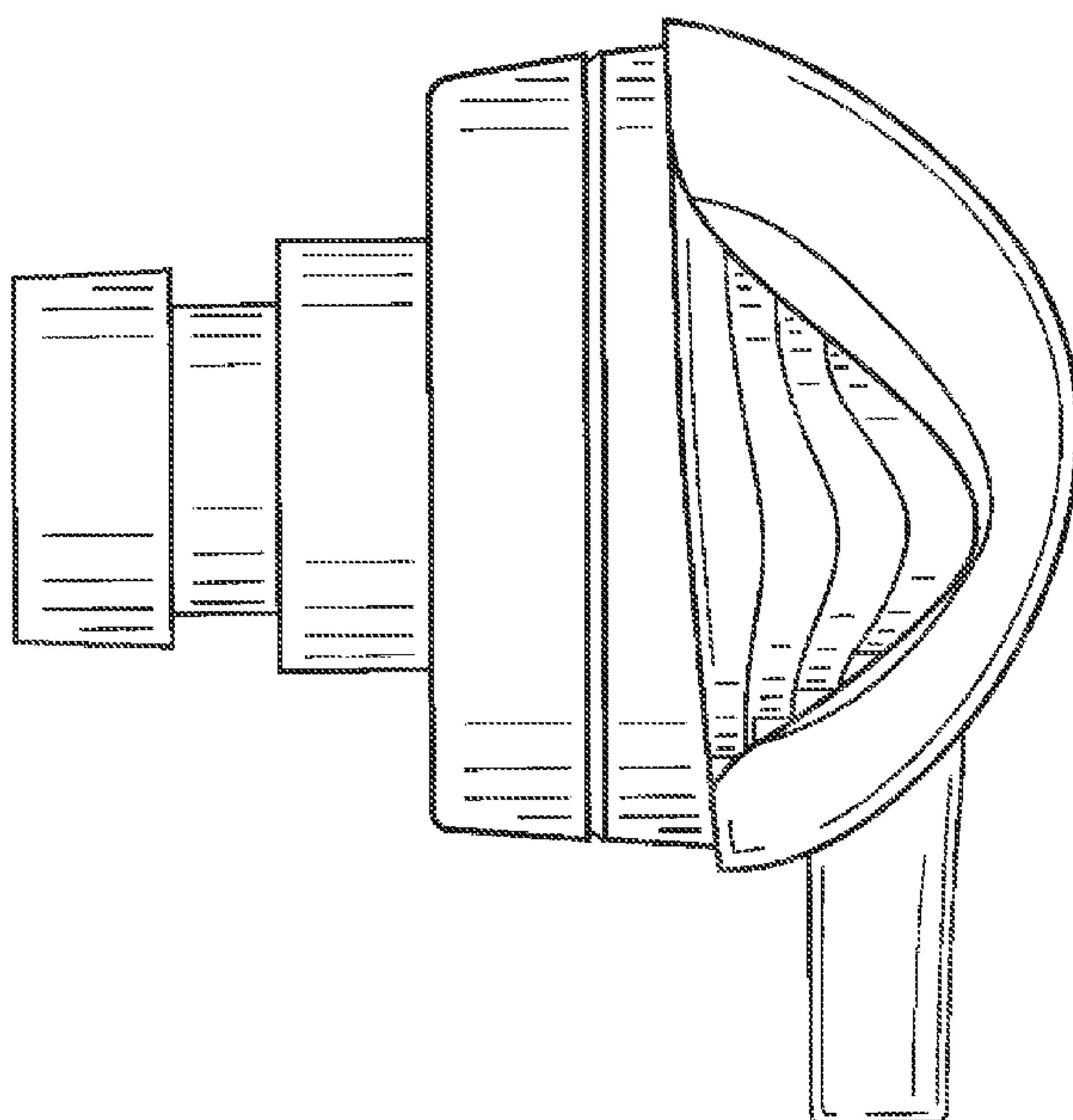


FIG. 1

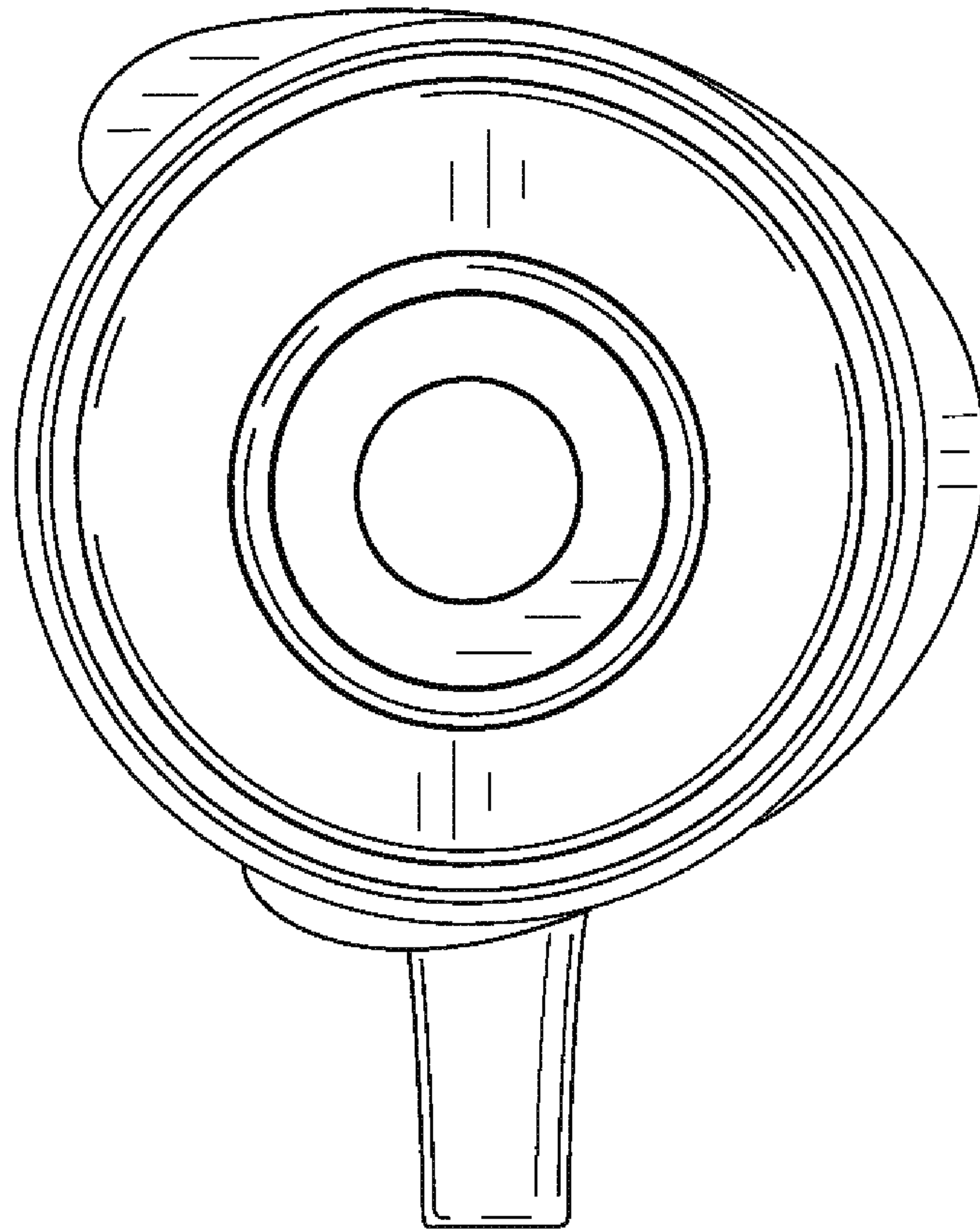


FIG. 2

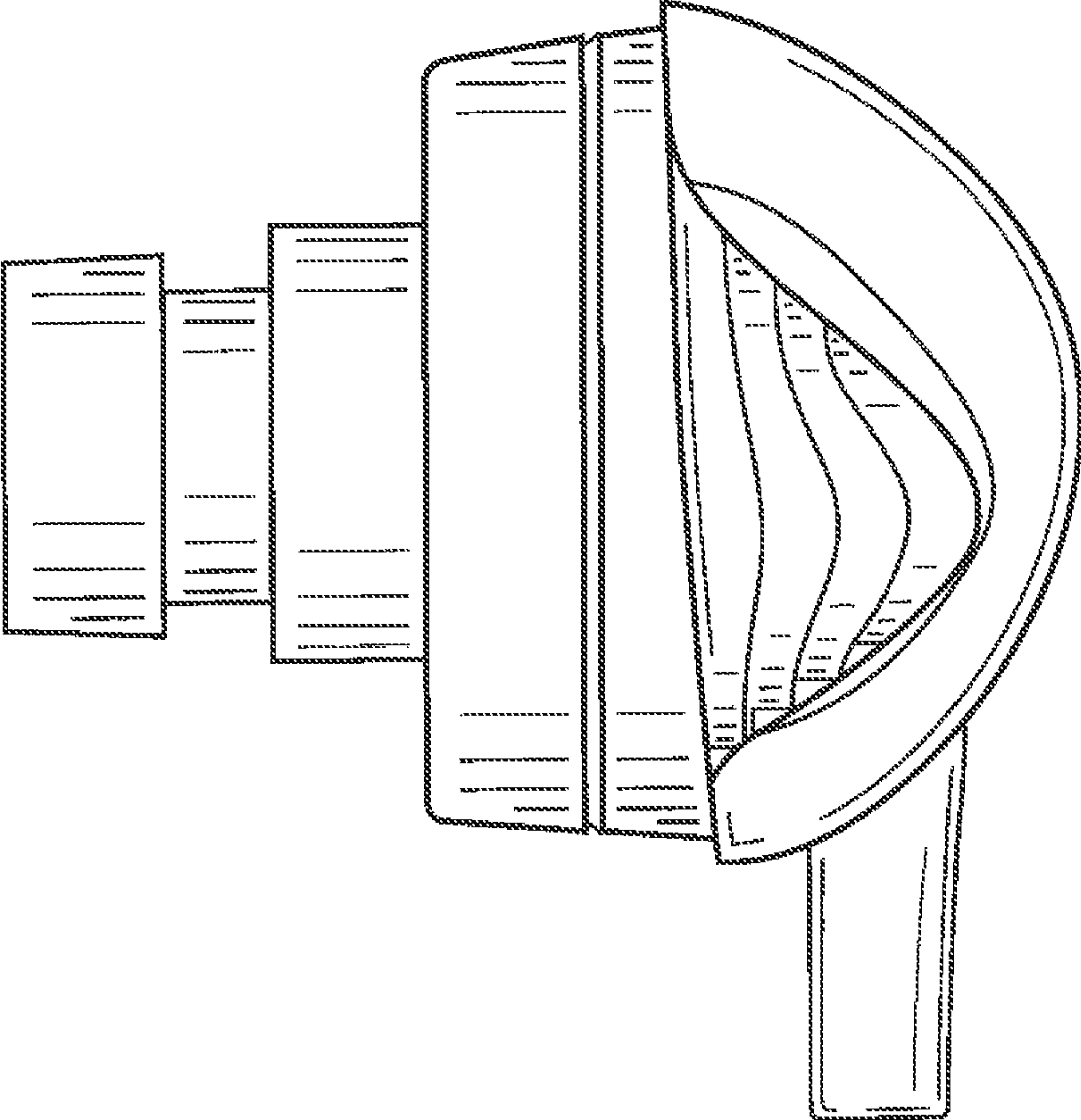


FIG. 3

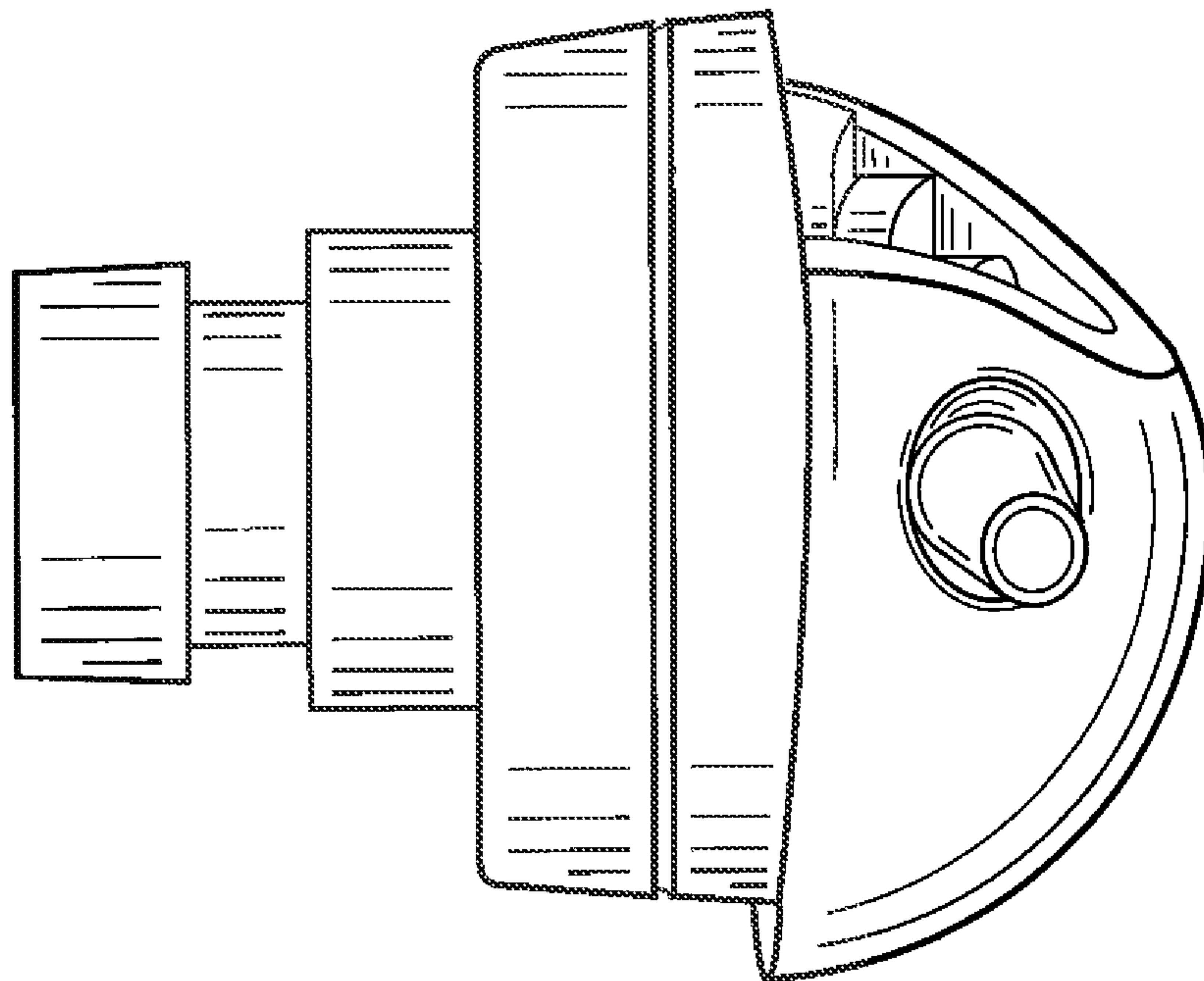
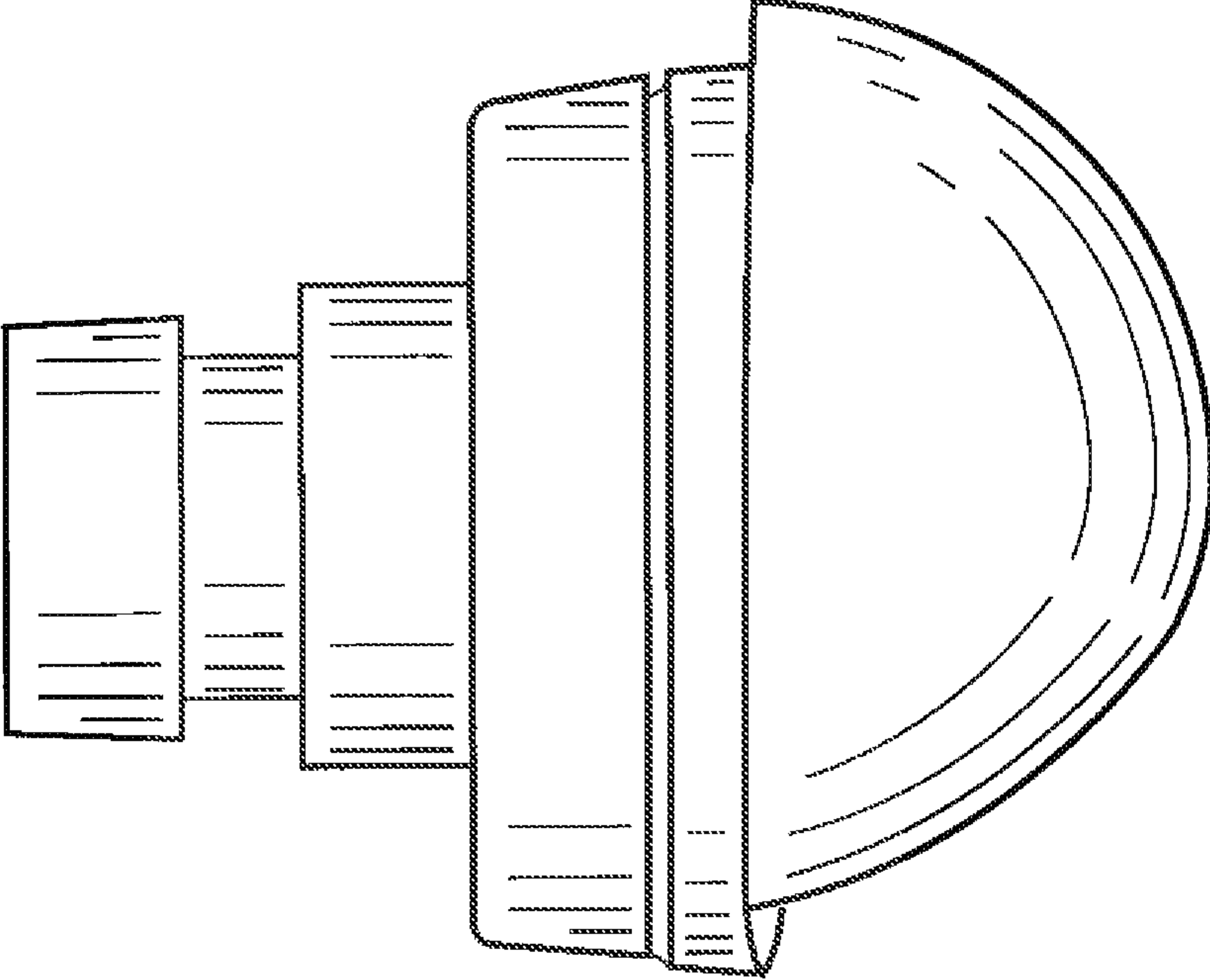


FIG. 4





**FIG. 5**

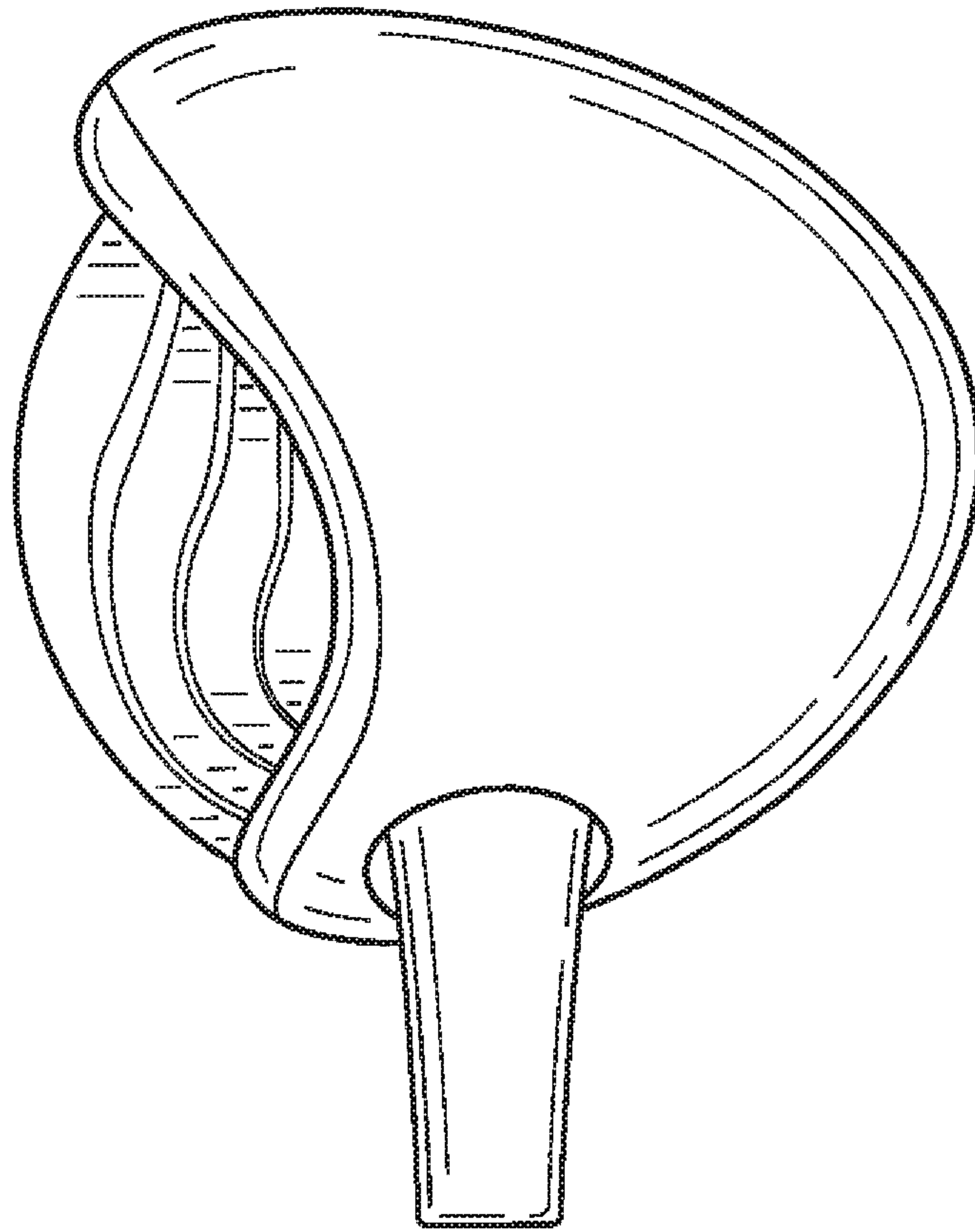


FIG. 6

