



US00D685768S

(12) **United States Design Patent**  
**Mogili**

(10) **Patent No.:** **US D685,768 S**

(45) **Date of Patent:** **\*\* Jul. 9, 2013**

(54) **EARPHONE**

(75) **Inventor:** **Rajender Mogili**, Alexandra Technopark (SG)

(73) **Assignee:** **Sennheiser electronic GmbH & Co. KG**, Wedemark (DE)

(\*\*) **Term:** **14 Years**

(21) **Appl. No.:** **29/417,516**

(22) **Filed:** **Apr. 4, 2012**

(30) **Foreign Application Priority Data**

Oct. 4, 2011 (EM) ..... 001 296 206-0001-0009

(51) **LOC (9) Cl.** ..... **14-01**

(52) **U.S. Cl.**  
USPC ..... **D14/223**

(58) **Field of Classification Search**  
USPC ..... D14/205, 206, 223; 181/129, 130,  
181/135; 379/430, 431; 381/380, 381; 455/90.3,  
455/575.1

See application file for complete search history.

(56) **References Cited**

U.S. PATENT DOCUMENTS

D218,173	S	*	7/1970	Hutchings	.....	D14/206
3,993,879	A	*	11/1976	Larkin	.....	379/430
4,893,344	A	*	1/1990	Tragardh et al.	.....	381/381
5,412,736	A	*	5/1995	Keliiliki	.....	381/381
5,625,171	A	*	4/1997	Marshall	.....	181/130
D460,749	S	*	7/2002	Liu	.....	D14/206
D474,178	S	*	5/2003	Eroma	.....	D14/223
D501,196	S	*	1/2005	Dyer et al.	.....	D14/205
D510,085	S	*	9/2005	Suzuki	.....	D14/223

D543,968	S	*	6/2007	Wong	.....	D14/205
D556,735	S	*	12/2007	Yeo	.....	D14/206
D606,048	S	*	12/2009	Soetejo et al.	.....	D14/223
D635,960	S	*	4/2011	Gondo et al.	.....	D14/223
D639,787	S	*	6/2011	Quek	.....	D14/223
D645,454	S	*	9/2011	Quek	.....	D14/223
8,265,328	B2	*	9/2012	Milde et al.	.....	381/381

\* cited by examiner

*Primary Examiner* — Paula Greene

(74) *Attorney, Agent, or Firm* — Frommer Lawrence & Haug LLP

(57) **CLAIM**

The ornamental design for an earphone, as shown and described.

**DESCRIPTION**

FIG. 1 is a side view of the earphone in accordance with the invention for a right ear.

FIG. 2 is an opposite side view of the earphone in accordance with the invention for a right ear.

FIG. 3 is a rear view of the earphone in accordance with the invention for a right ear.

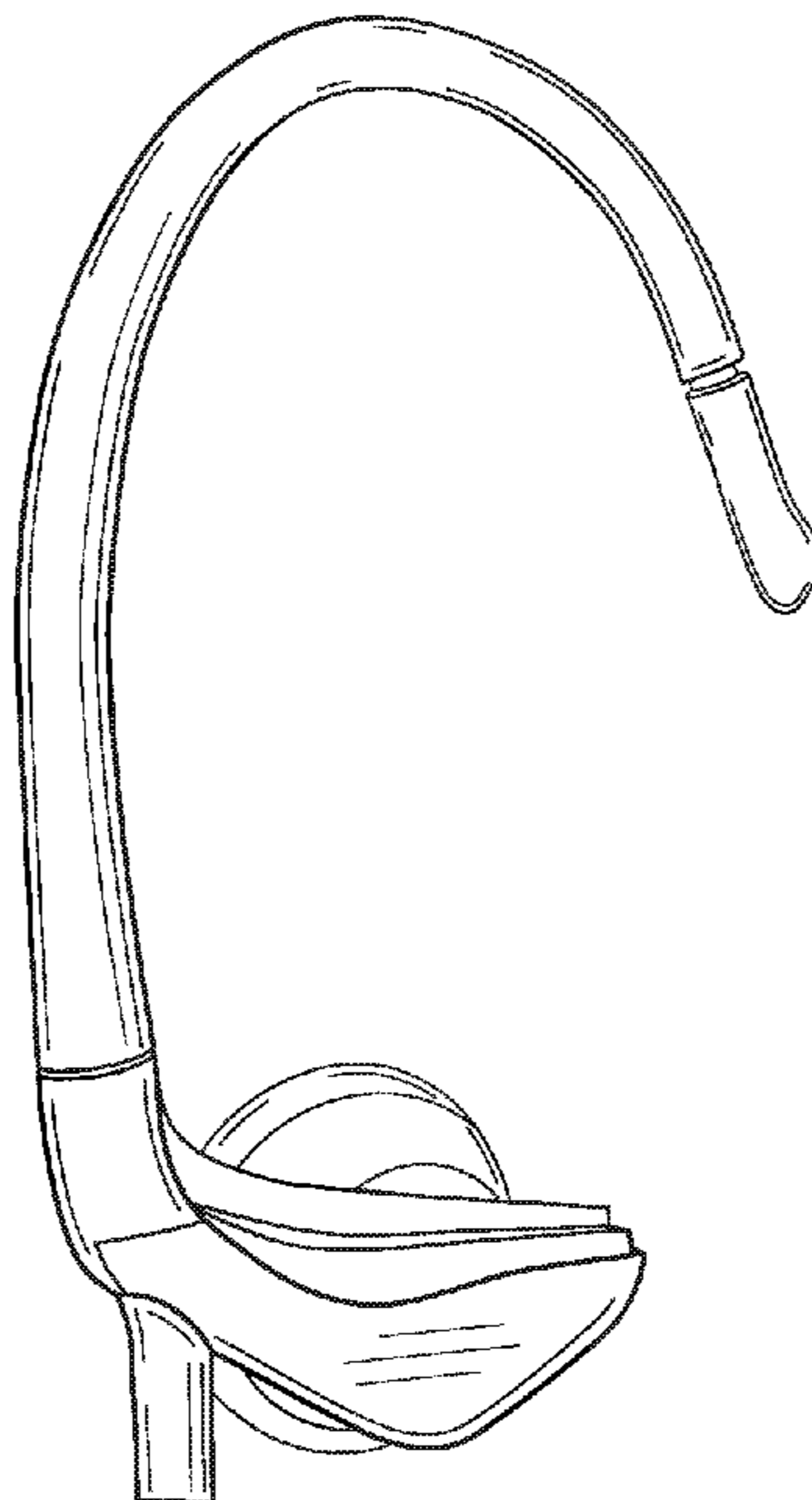
FIG. 4 is a front perspective view of the earphone in accordance with the invention for a left ear.

FIG. 5 is a top view of the earphone in accordance with the invention for a left ear.

FIG. 6 is a bottom view of the earphone in accordance with the invention for a left ear; and,

FIG. 7 is a side perspective view of the earphone in accordance with the invention for a left ear.

**1 Claim, 7 Drawing Sheets**



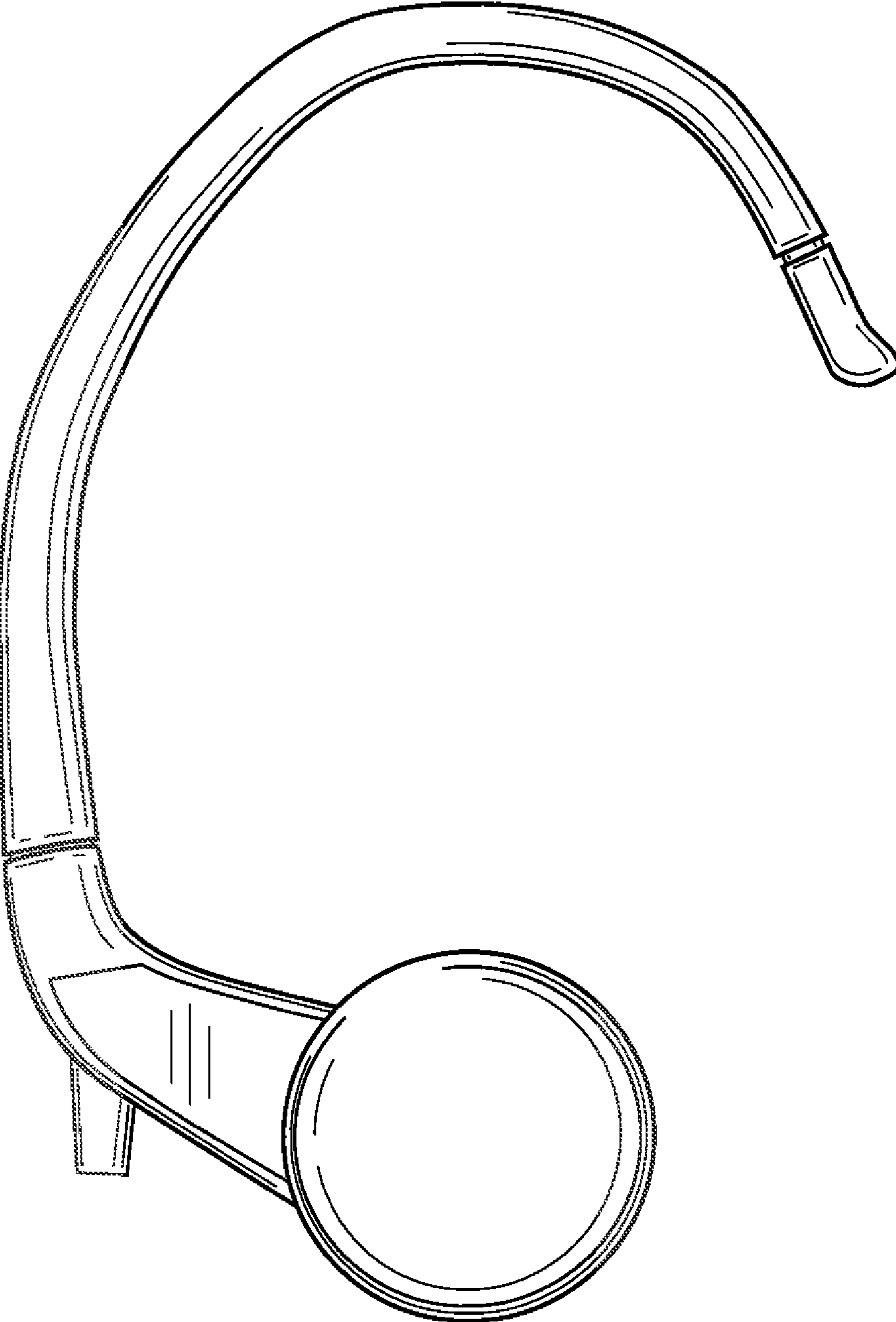


FIG. 1

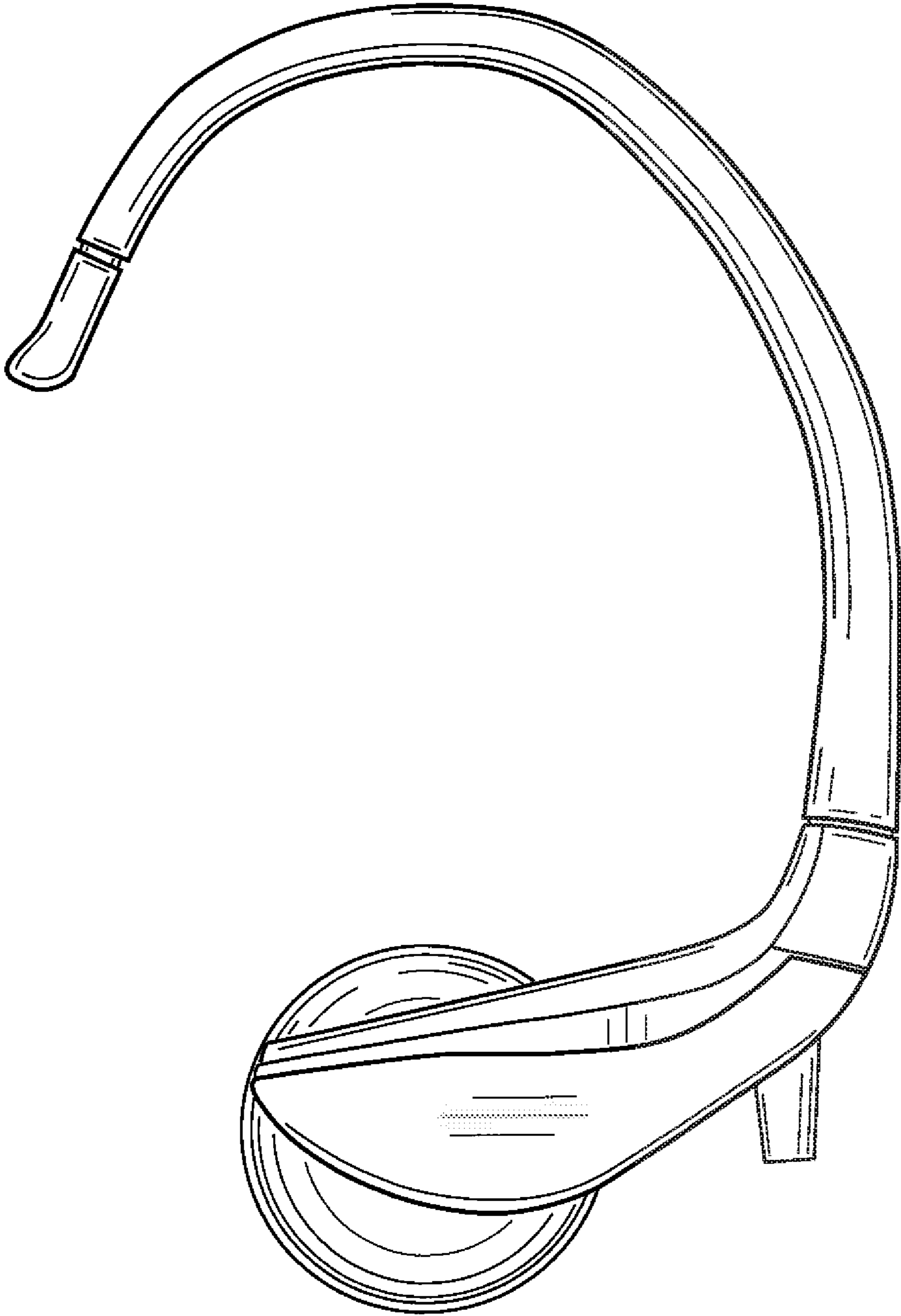
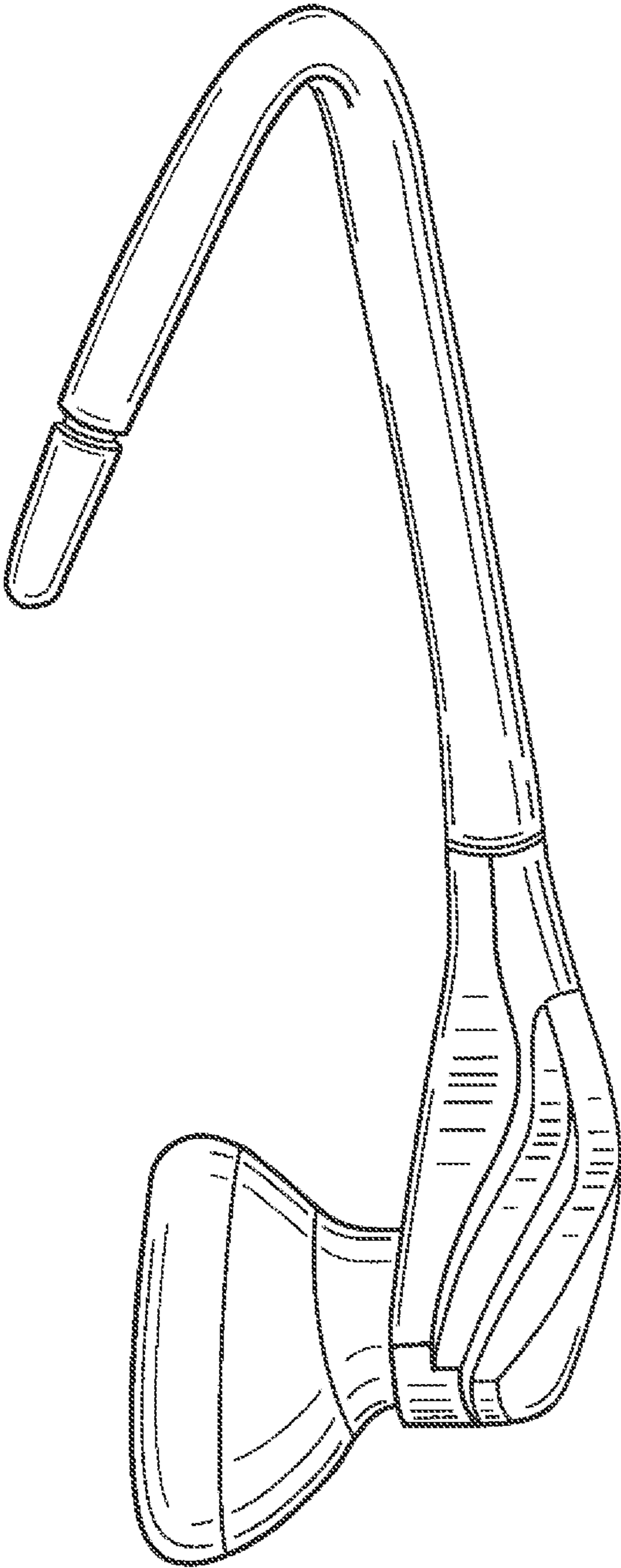


FIG. 2



**FIG. 3**

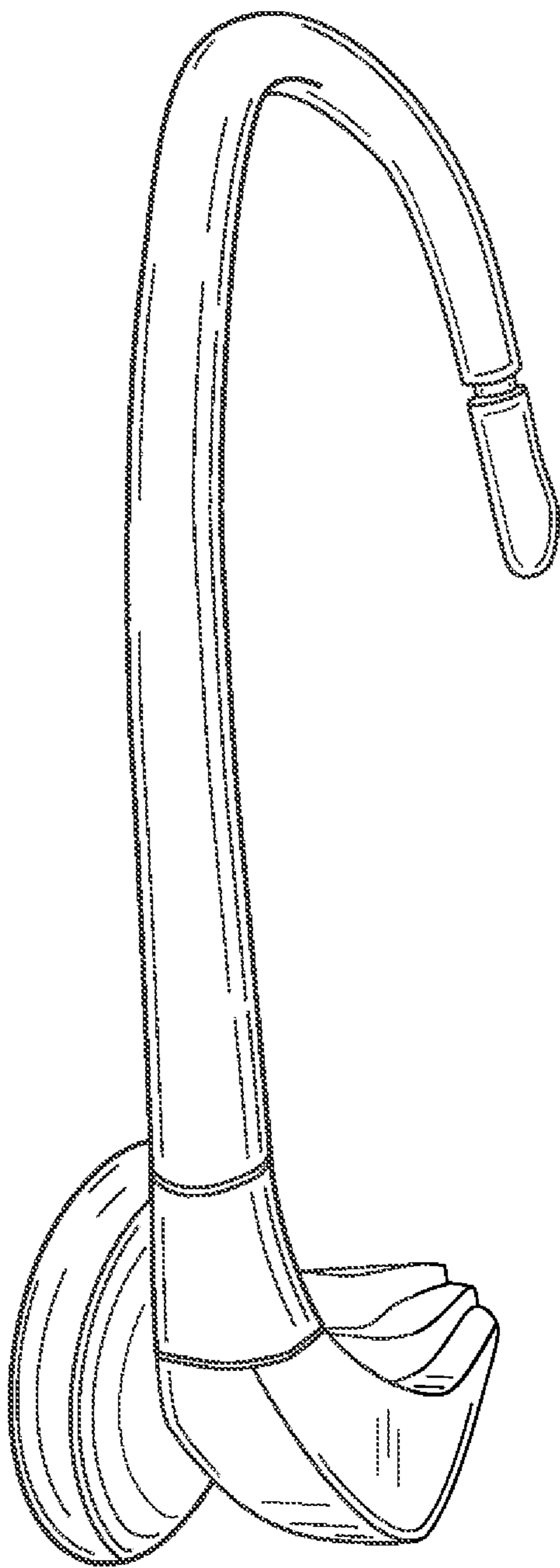
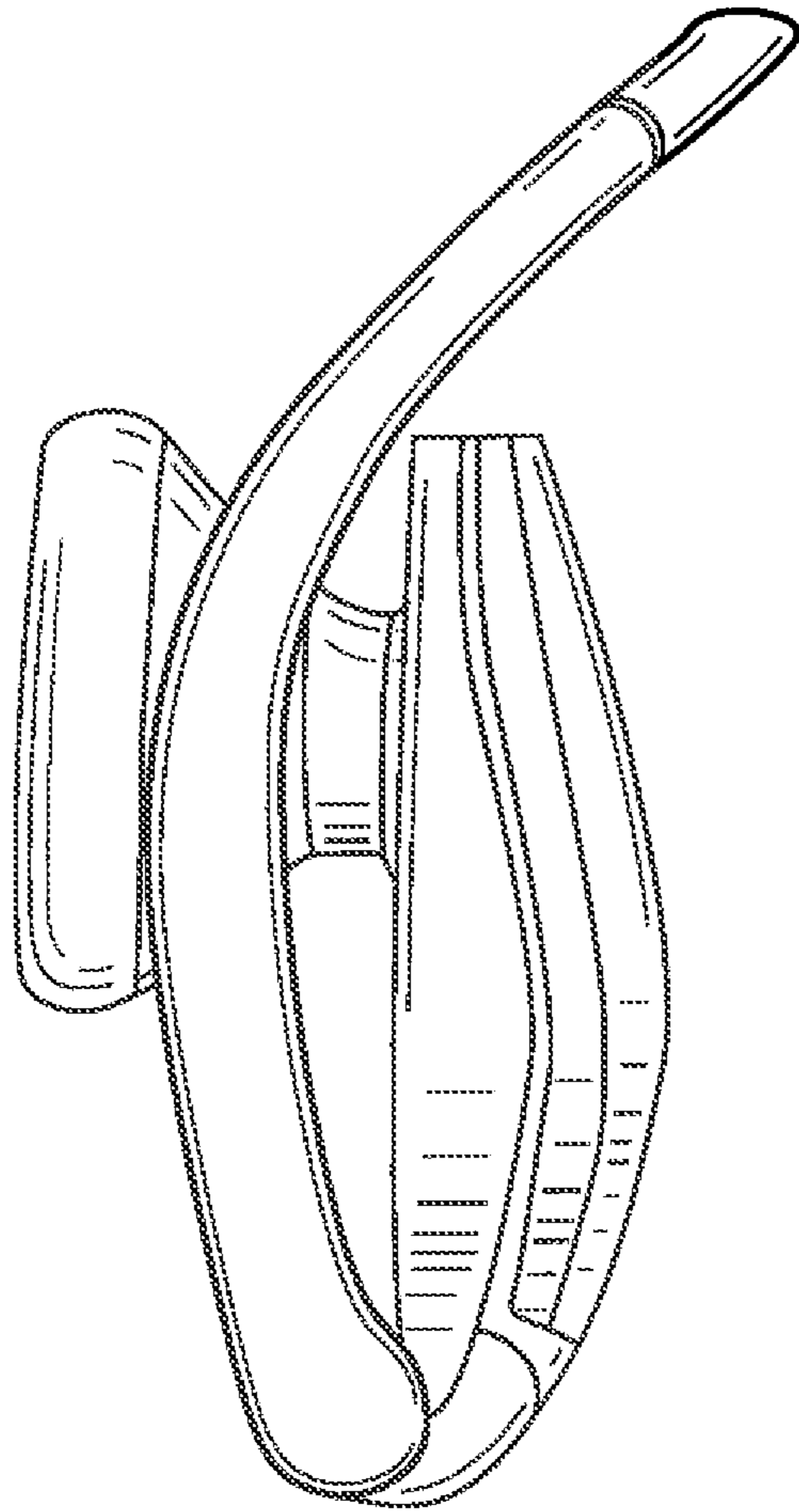
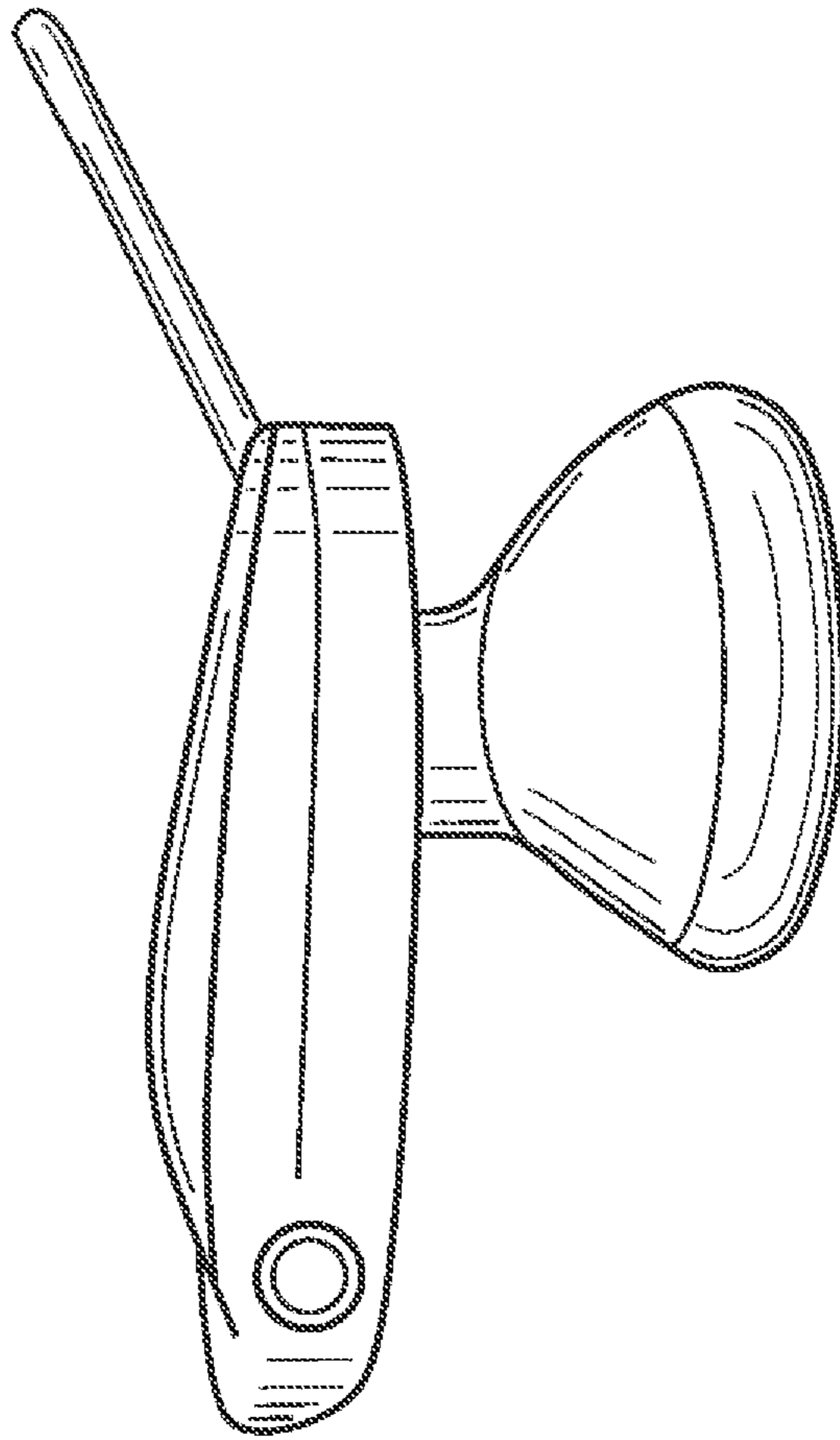


FIG. 4



**FIG. 5**



**FIG. 6**

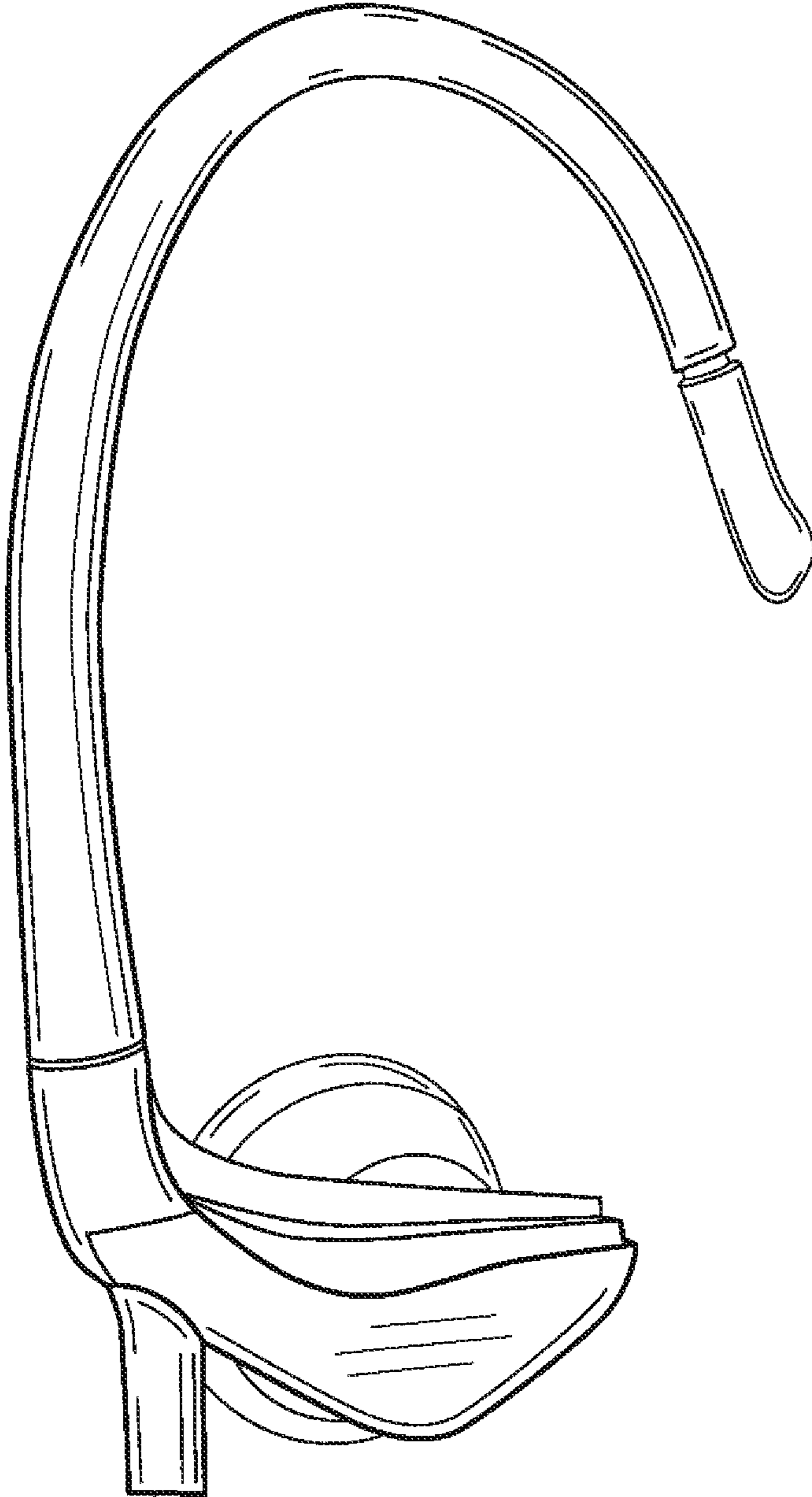


FIG. 7