

US00D685767S

(12) **United States Design Patent**
Kelly et al.

(10) **Patent No.:** **US D685,767 S**
(45) **Date of Patent:** **** Jul. 9, 2013**

(54) **HEADPHONE**

(75) Inventors: **Peter M. Kelly**, Park City, UT (US);
Daniel A. Levine, Newport Beach, CA
(US); **Donald C. Stiff**, Park City, UT
(US)

(73) Assignee: **Skullcandy, Inc.**, Park City, UT (US)

(**) Term: **14 Years**

(21) Appl. No.: **29/408,974**

(22) Filed: **Dec. 19, 2011**

(51) **LOC (9) Cl.** **14-01**

(52) **U.S. Cl.**
USPC **D14/223**

(58) **Field of Classification Search**
USPC D14/205, 206, 223; 181/129, 130,
181/135; 379/430, 431; 381/380, 381; 455/90.3,
455/575.2; D24/174
See application file for complete search history.

(56) **References Cited**

U.S. PATENT DOCUMENTS

6,690,807	B1 *	2/2004	Meyer	381/327
D557,689	S *	12/2007	Huang	D14/223
D572,706	S *	7/2008	Schaefer	D14/225
D595,268	S *	6/2009	Kolton	D14/223
D602,475	S *	10/2009	Martin	D14/223
D618,219	S *	6/2010	Burgett et al.	D14/223
D624,056	S *	9/2010	Kolton	D14/223
D624,057	S *	9/2010	Kelly et al.	D14/223

D632,677	S *	2/2011	Brown et al.	D14/223
D637,181	S *	5/2011	Fuller et al.	D14/223
7,949,127	B2 *	5/2011	Pedersen et al.	379/430
D639,282	S *	6/2011	Ohori et al.	D14/223
D641,010	S *	7/2011	Kwon	D14/223
D641,011	S *	7/2011	Gondo	D14/223
D643,416	S *	8/2011	Chong et al.	D14/223
D645,458	S *	9/2011	Silvestri et al.	D14/223
D652,822	S *	1/2012	Lee et al.	D14/223
D655,693	S *	3/2012	Silvestri et al.	D14/223
D656,129	S *	3/2012	Kelly et al.	D14/223
D664,124	S *	7/2012	Smith et al.	D14/223

* cited by examiner

Primary Examiner — Paula Greene

(74) *Attorney, Agent, or Firm* — TraskBritt, P.C.

(57) **CLAIM**

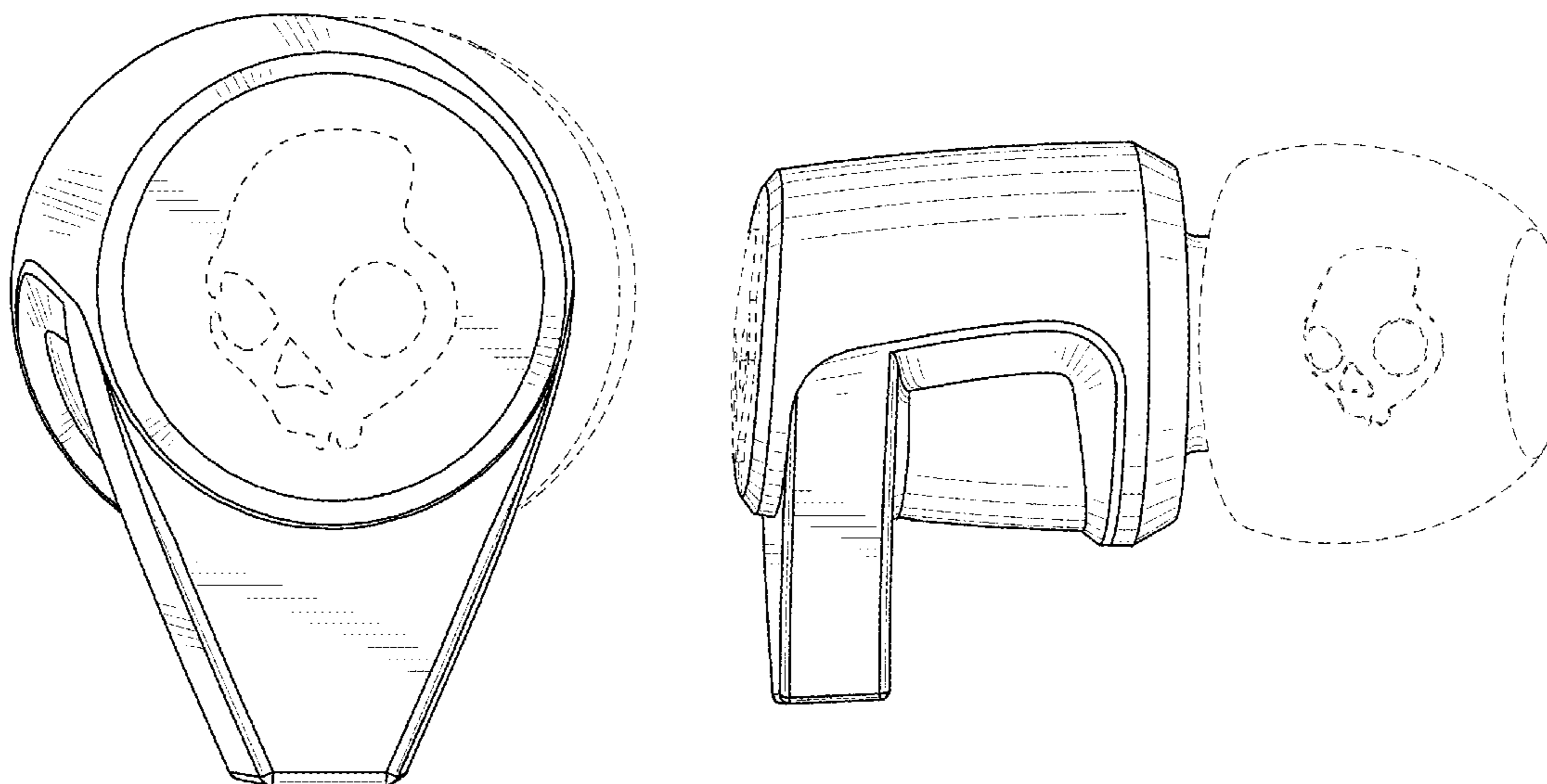
The ornamental design for a headphone, as shown and described.

DESCRIPTION

FIG. 1 is a front view of an embodiment of a headphone; FIG. 2 is a rear view of the headphone shown in FIG. 1; FIG. 3 is a left side view of the headphone shown in FIG. 1; FIG. 4 is a right side view of the headphone shown in FIG. 1; FIG. 5 is a top view of the headphone shown in FIG. 1; FIG. 6 is a bottom view of the headphone shown in FIG. 1; and, FIG. 7 is a perspective view of the headphone shown in FIG. 1.

The broken lines in FIGS. 1-7 are for environmental purposes only and do not form any part of the claimed design.

1 Claim, 4 Drawing Sheets



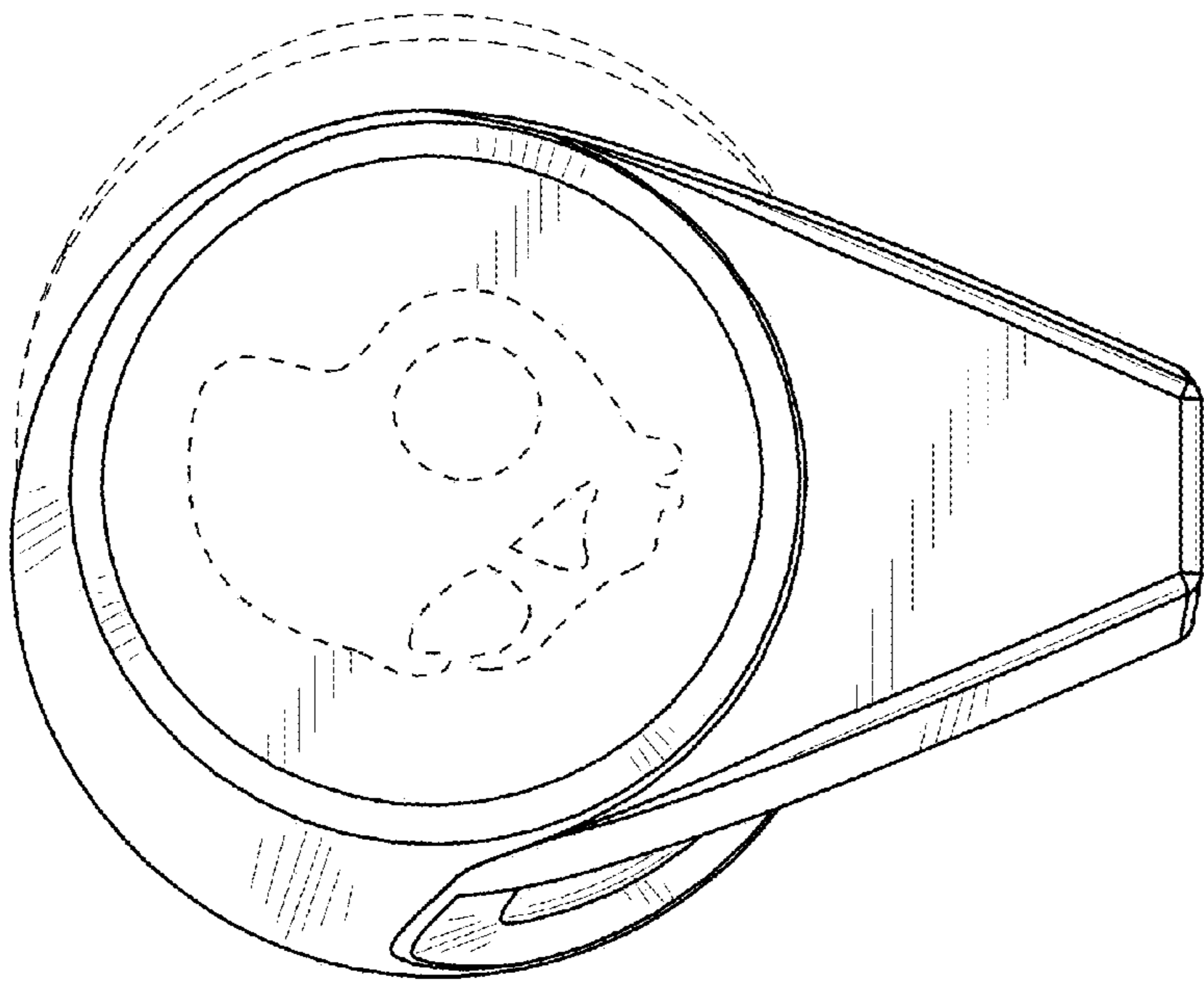


FIG. 1

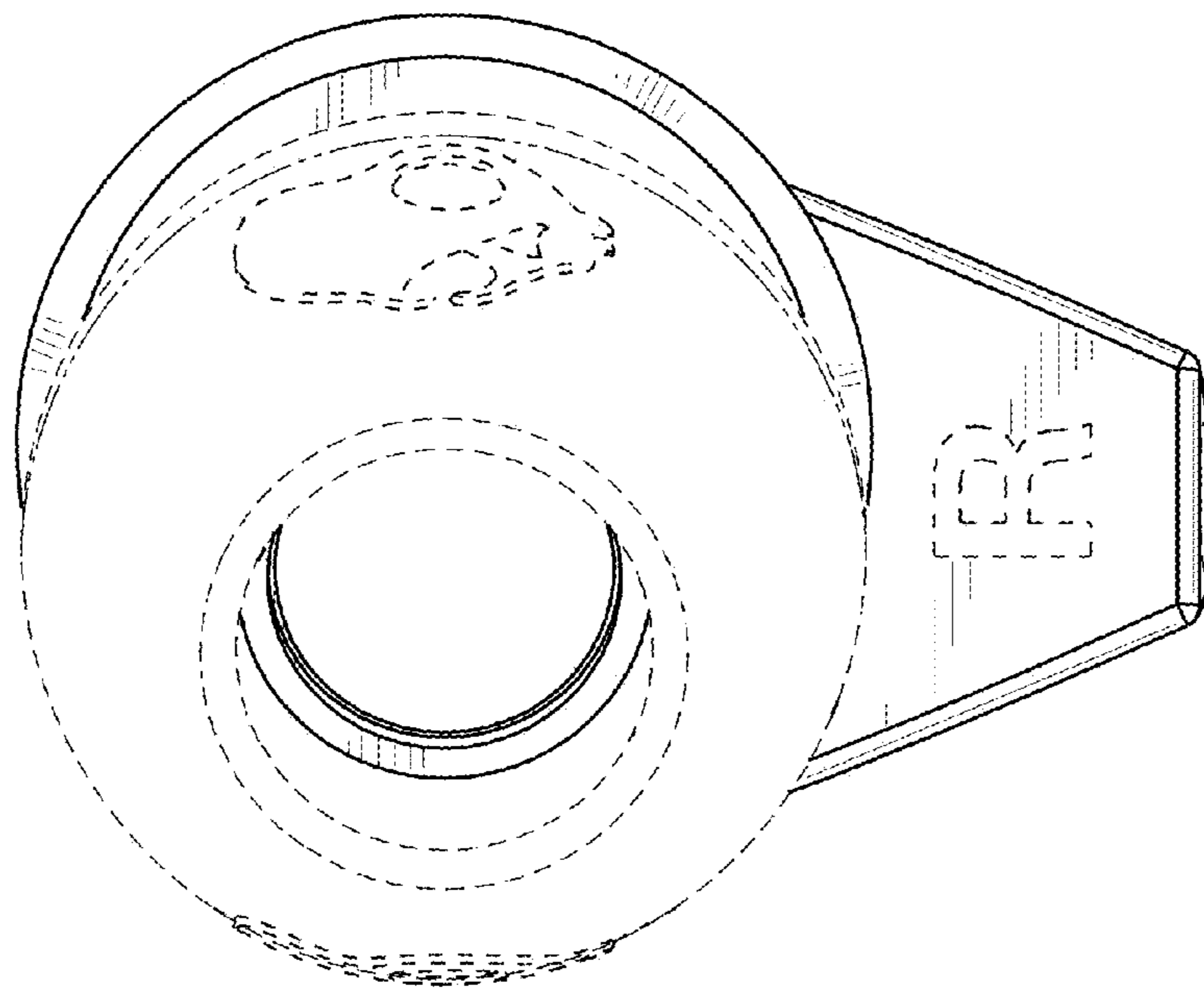


FIG. 2

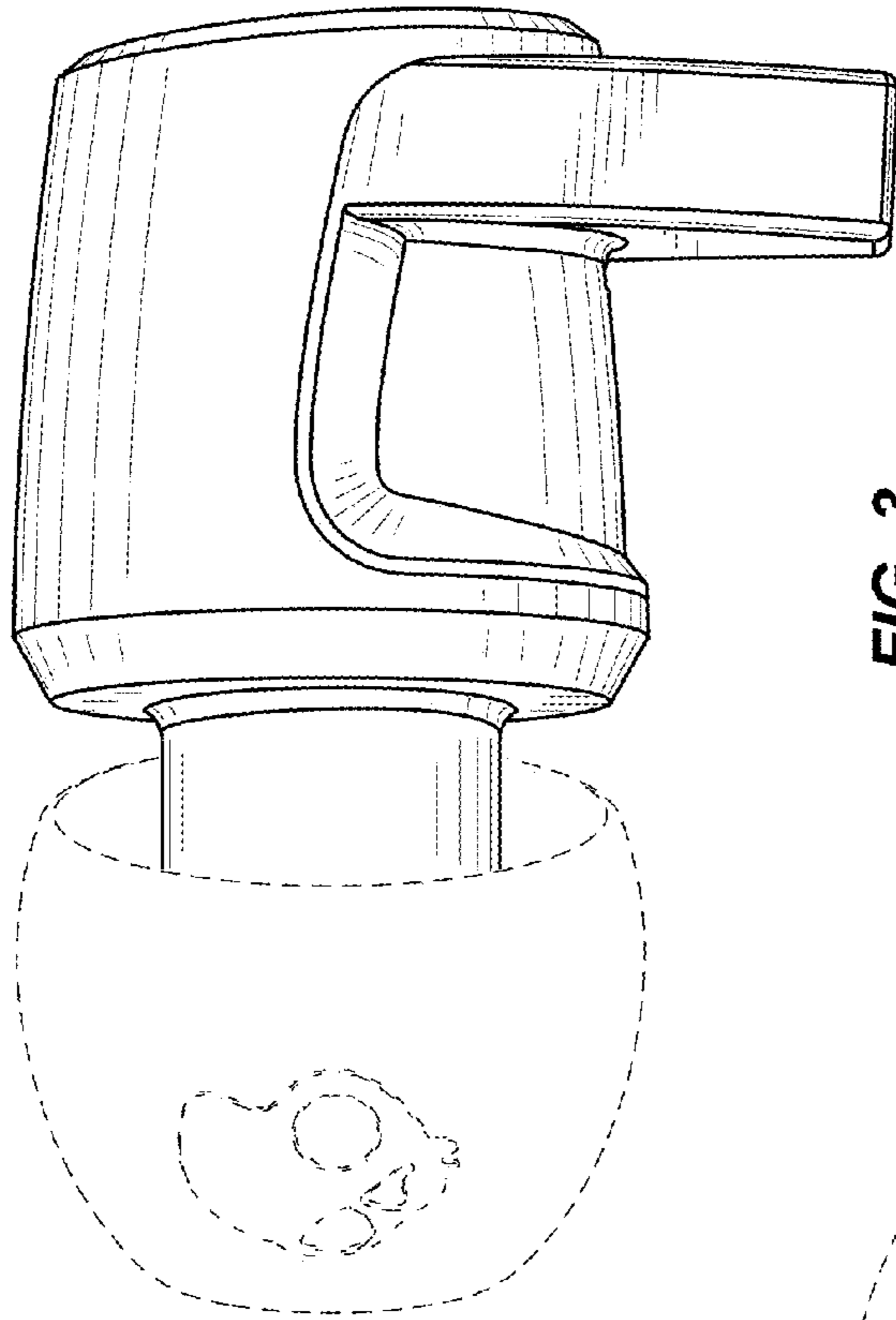


FIG. 3

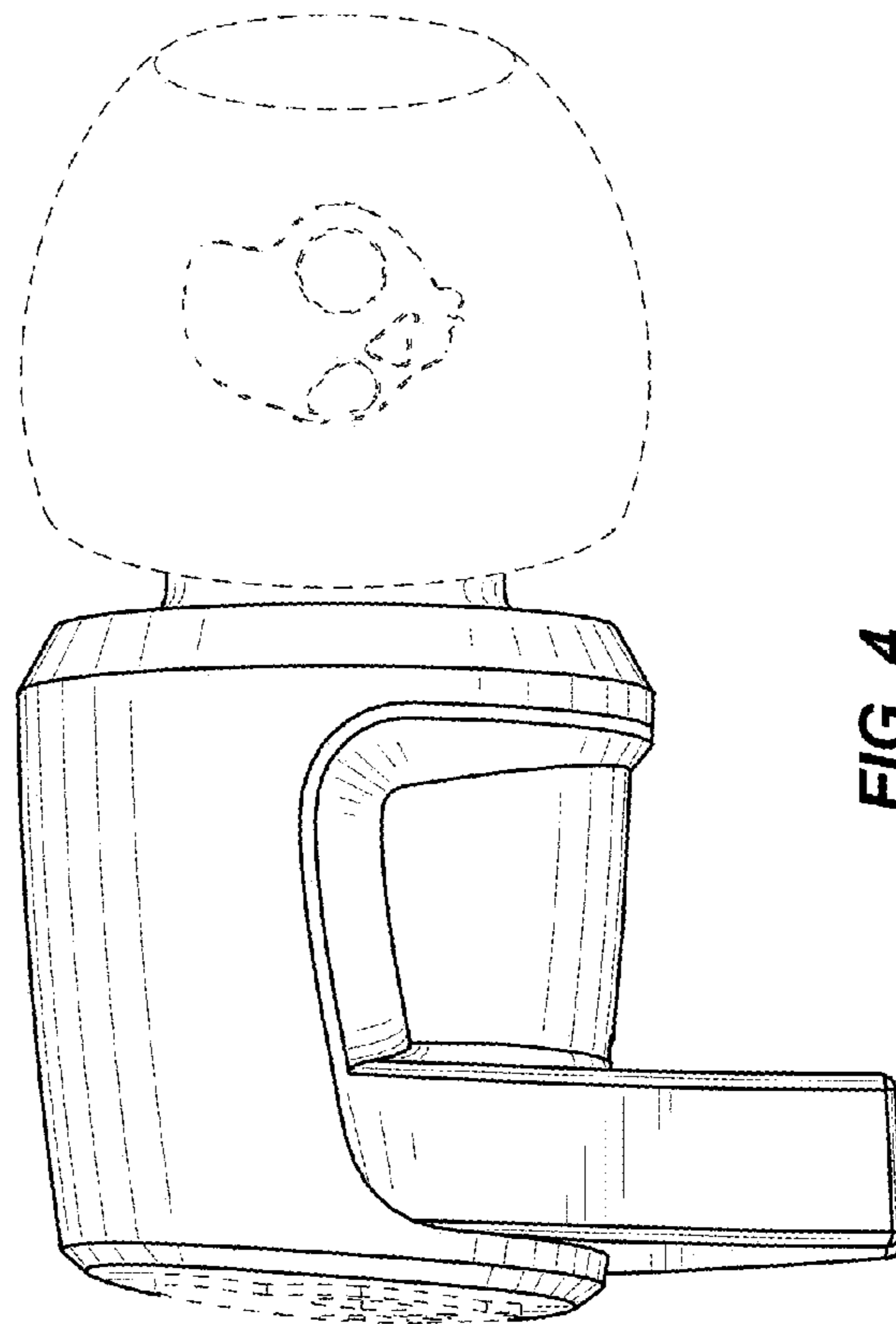


FIG. 4

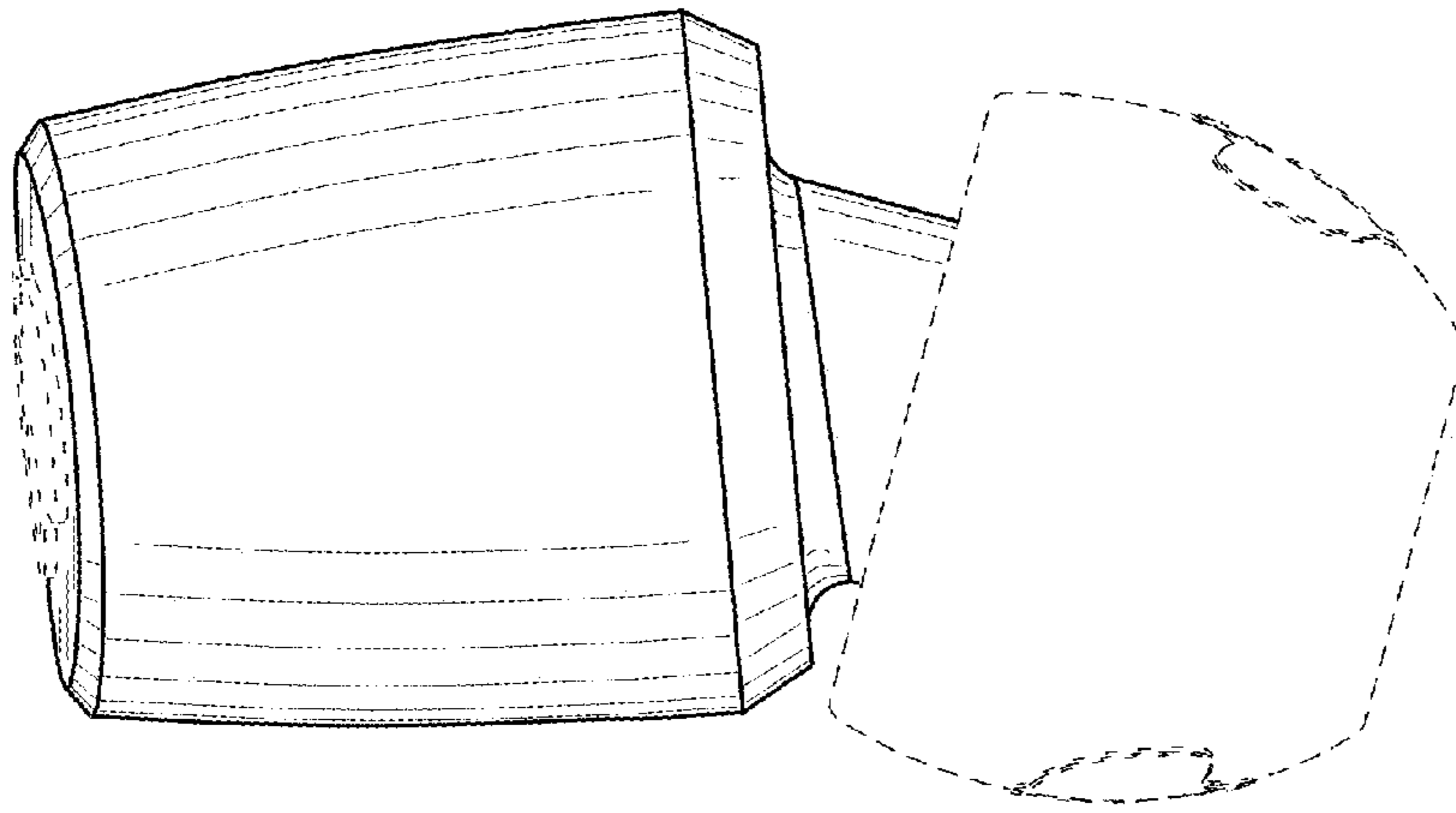


FIG. 5

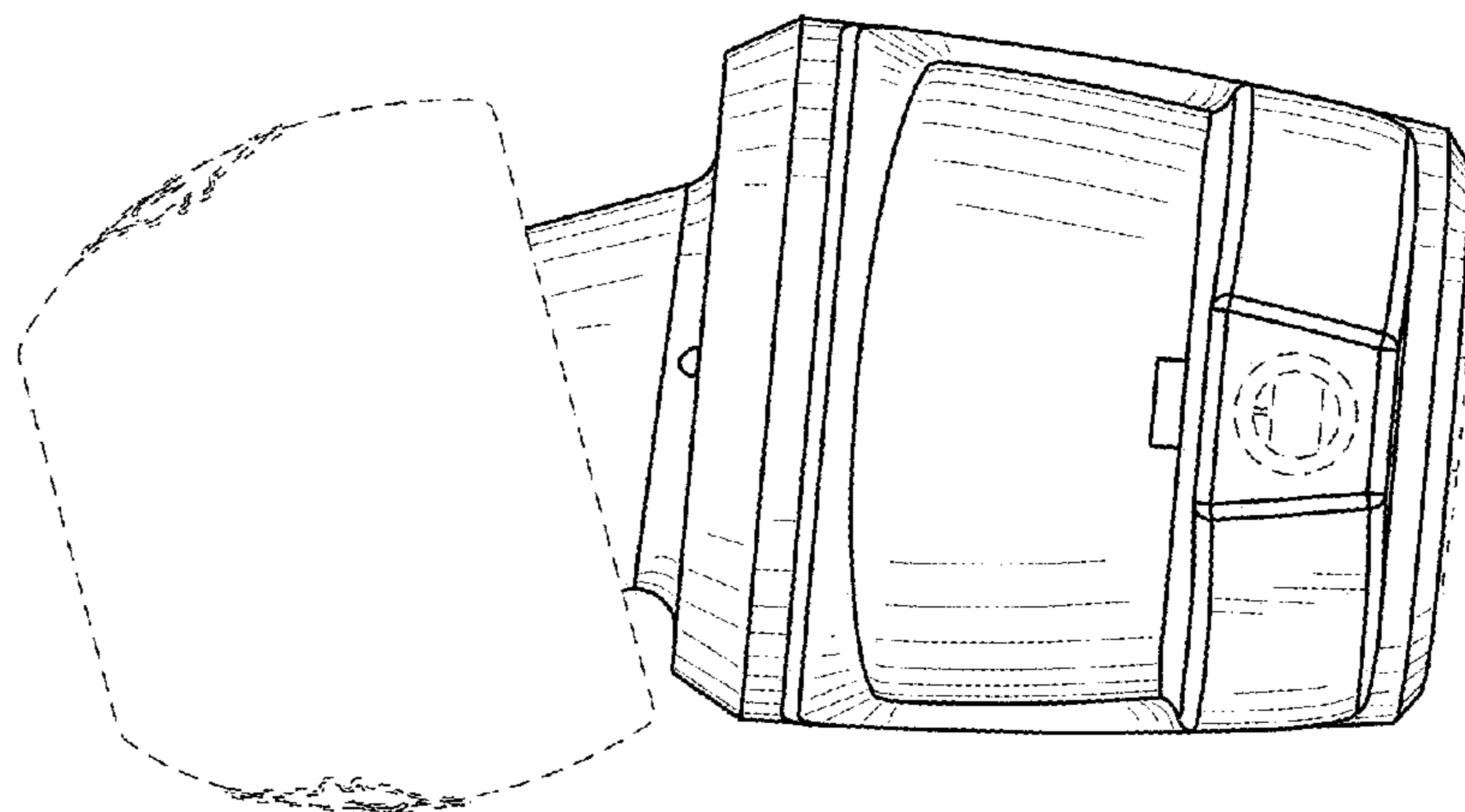


FIG. 6

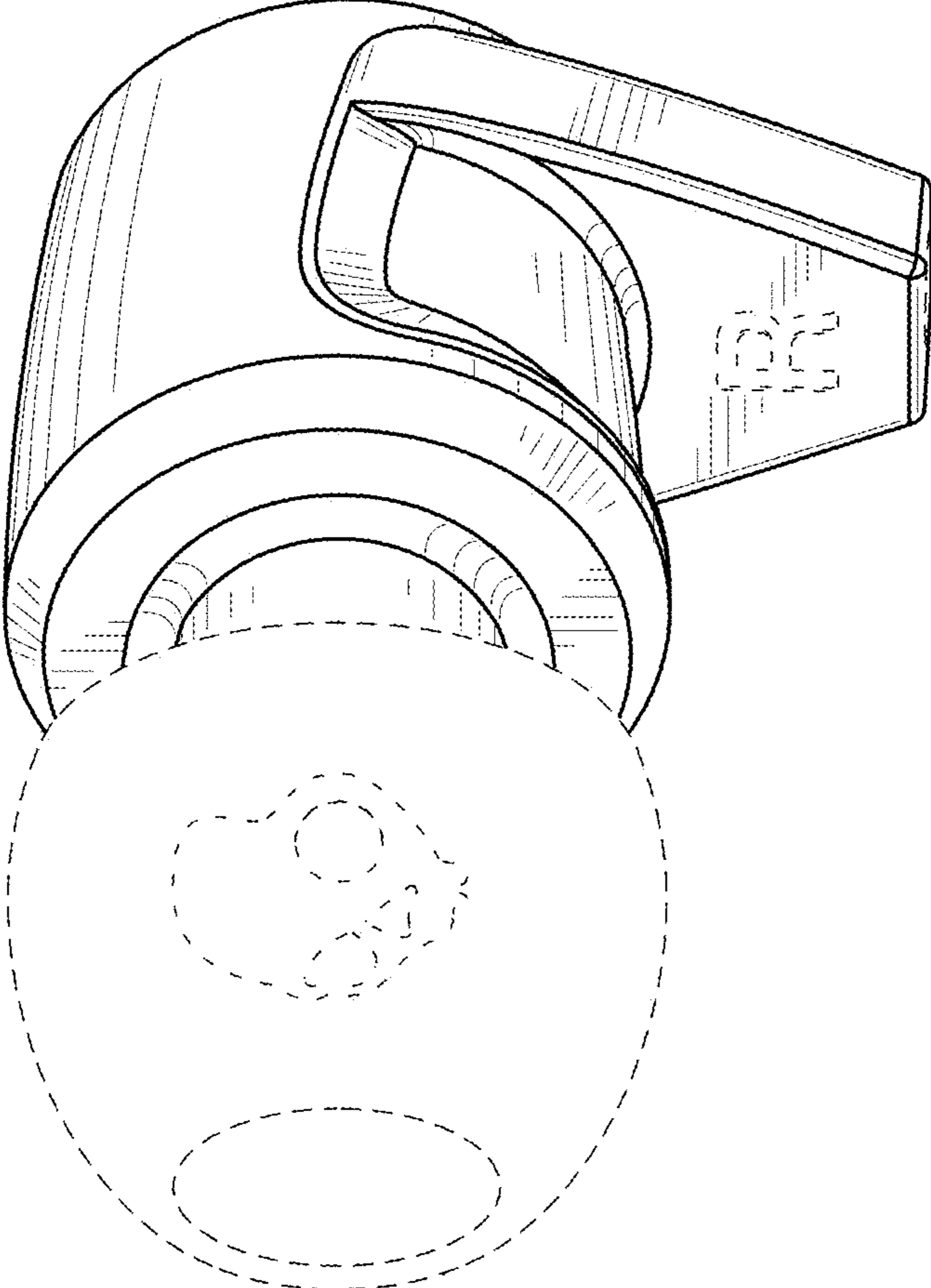


FIG. 7