



US00D685766S

(12) **United States Design Patent**
Olswang et al.

(10) **Patent No.:** **US D685,766 S**

(45) **Date of Patent:** **** Jul. 9, 2013**

(54) **PORTABLE AUDIO MIXER**

(75) Inventors: **Benjamin Seth Olswang**, Seattle, WA (US); **Jeffrey M. Humphrey**, Seattle, WA (US); **Frank Larry Frederick**, Monroe, WA (US); **Nathan Pius O'Neill**, Snohomish, WA (US); **Graham Cyril Jordan**, Snohomish, WA (US); **Kent Swendseid**, Bellevue, WA (US); **John Phillip Boudreau**, Seattle, WA (US)

(73) Assignee: **LOUD Technologies Inc.**, Woodinville, WA (US)

(**) Term: **14 Years**

(21) Appl. No.: **29/411,212**

(22) Filed: **Jan. 18, 2012**

(51) **LOC (9) Cl.** **14-03**

(52) **U.S. Cl.**
USPC **D14/217**

(58) **Field of Classification Search**
USPC D14/162, 167–169, 175, 188, 196–198, D14/217, 257, 258, 434, 496; D13/163, 164; 84/625, 660, 697; 455/350; 381/119
See application file for complete search history.

(56) **References Cited**

U.S. PATENT DOCUMENTS

D493,162 S * 7/2004 Amiya D14/217
D553,608 S 10/2007 Williamson et al.
D561,177 S * 2/2008 Mittersinker et al. D14/217

D565,031 S * 3/2008 Duncan Seil et al. D14/217
D583,798 S * 12/2008 Iijima et al. D14/168
D643,410 S * 8/2011 Blyth et al. D14/217
D650,783 S * 12/2011 Ausfeld et al. D14/434
D654,077 S 2/2012 Radin
D663,302 S 7/2012 Radin
D663,303 S 7/2012 Radin
D663,734 S 7/2012 Radin

* cited by examiner

Primary Examiner — Keli L Hill

(74) *Attorney, Agent, or Firm* — Christensen O'Connor Johnson Kindness PLLC

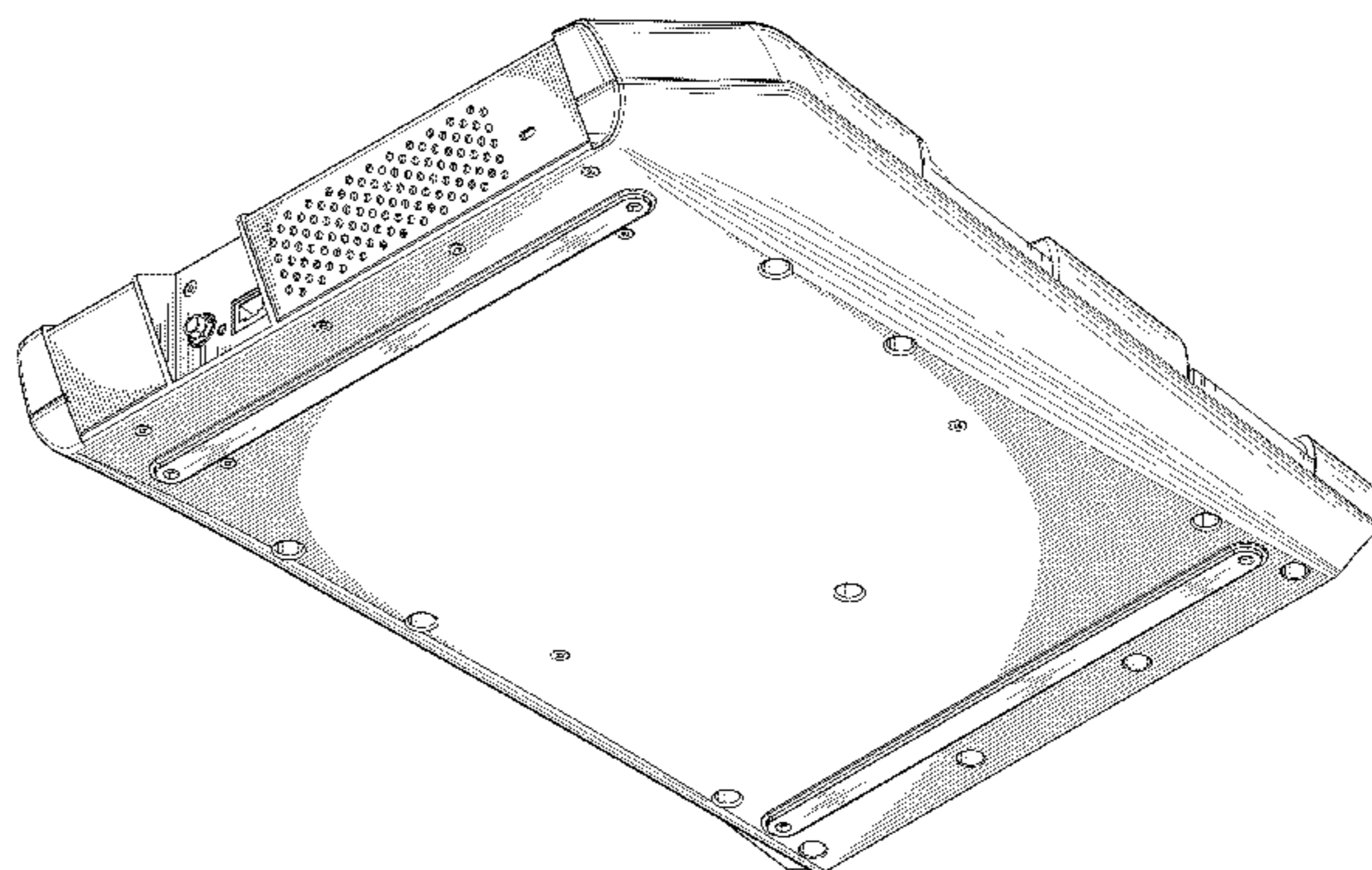
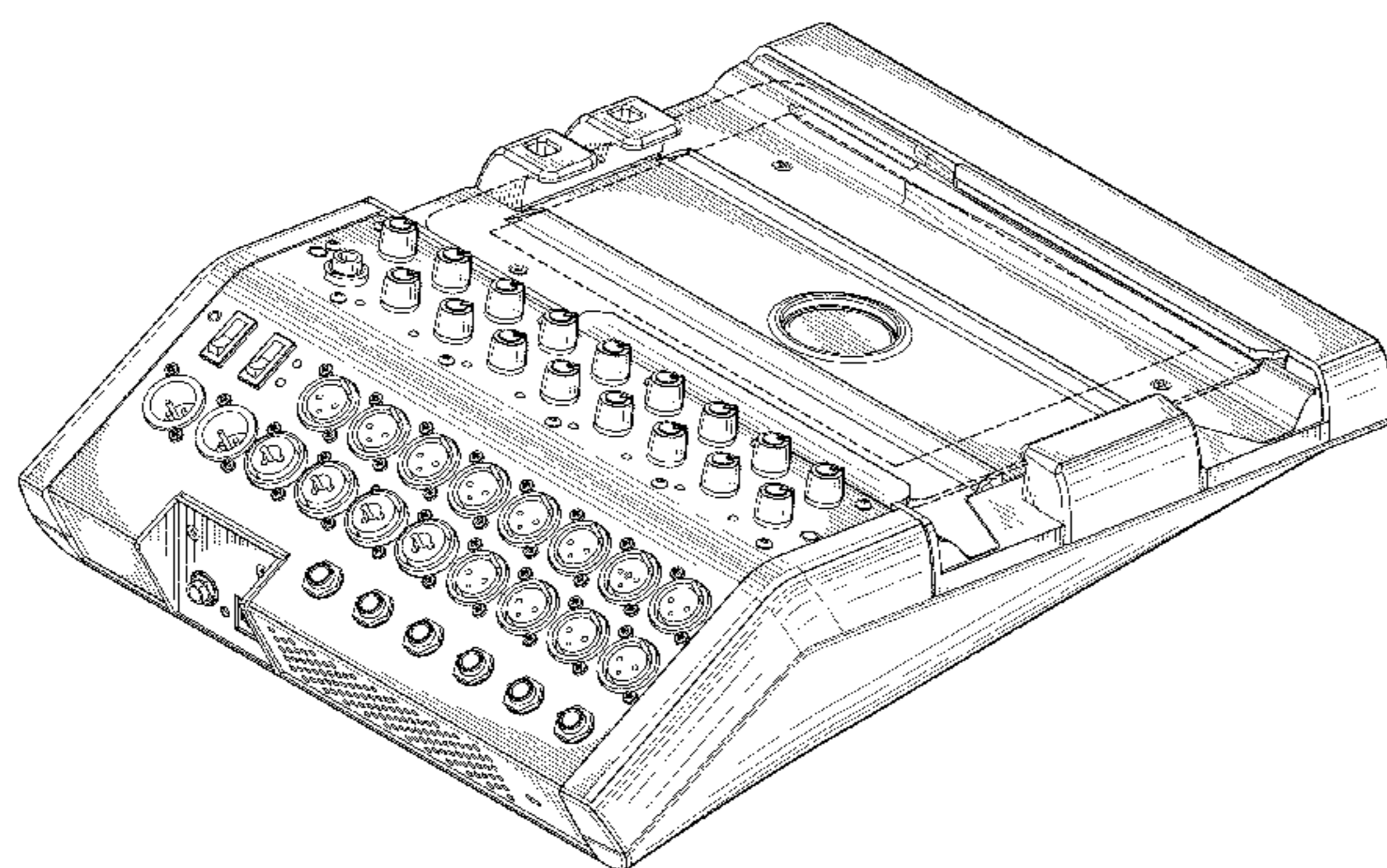
(57) **CLAIM**

The ornamental design for a portable audio mixer, as shown and described.

DESCRIPTION

FIG. 1 is an isometric view of the design of the present application taken from above, with a computing device shown in broken line docked with the portable audio mixer; FIG. 2 is a bottom isometric view of the design of FIG. 1; FIG. 3 is a top view of the design of FIG. 1; FIG. 4 is a bottom view of the design of FIG. 1; FIG. 5 is an end view of the design of FIG. 1; FIG. 6 is an end view of the design of FIG. 1 taken from the opposite end of the design; and, FIG. 7 is a side view of the design of FIG. 1. The elements depicted in broken lines in the figures are included for environmental purposes only, and form no part of the claimed design.

1 Claim, 6 Drawing Sheets



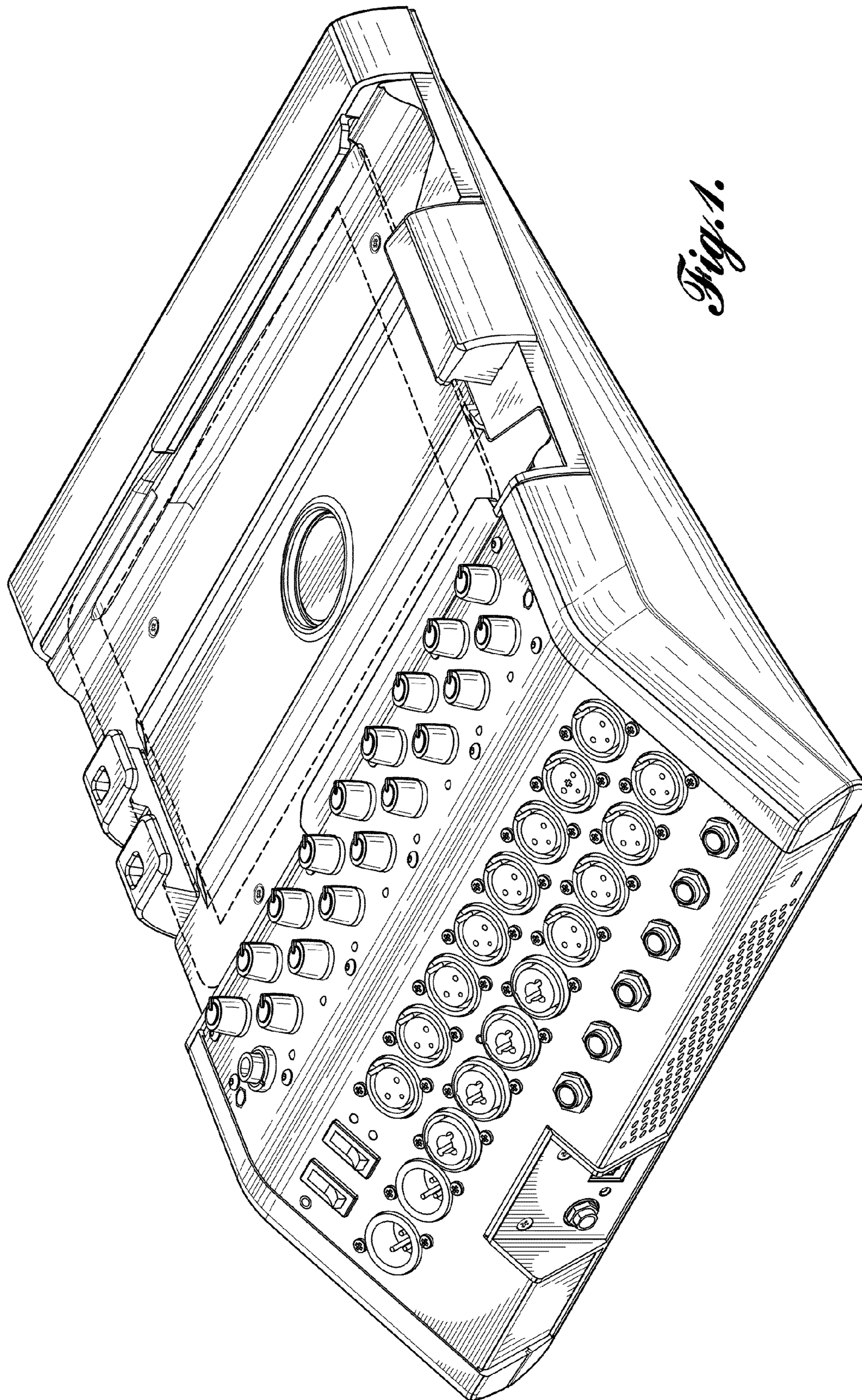


Fig. 1.

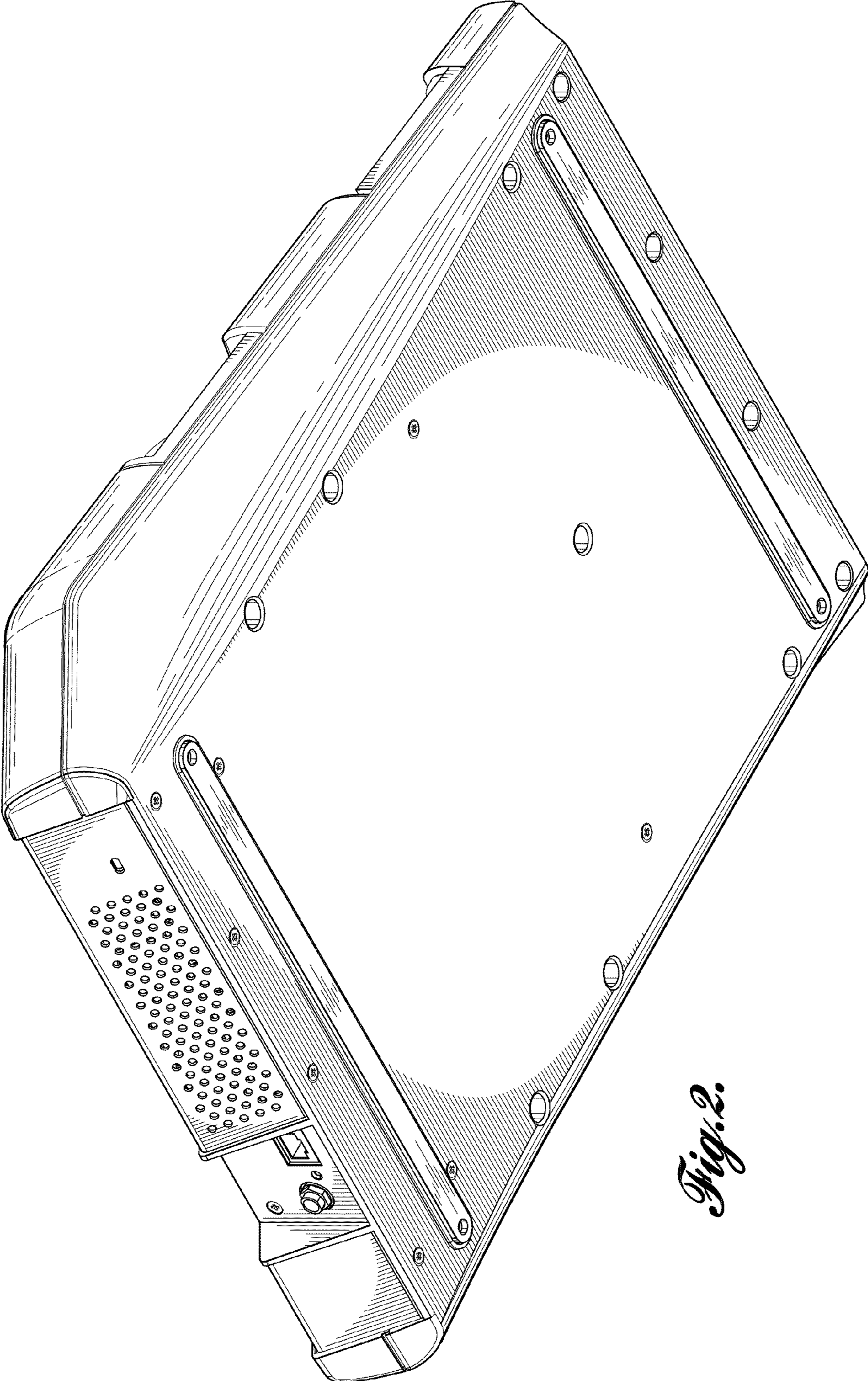


Fig. 2.

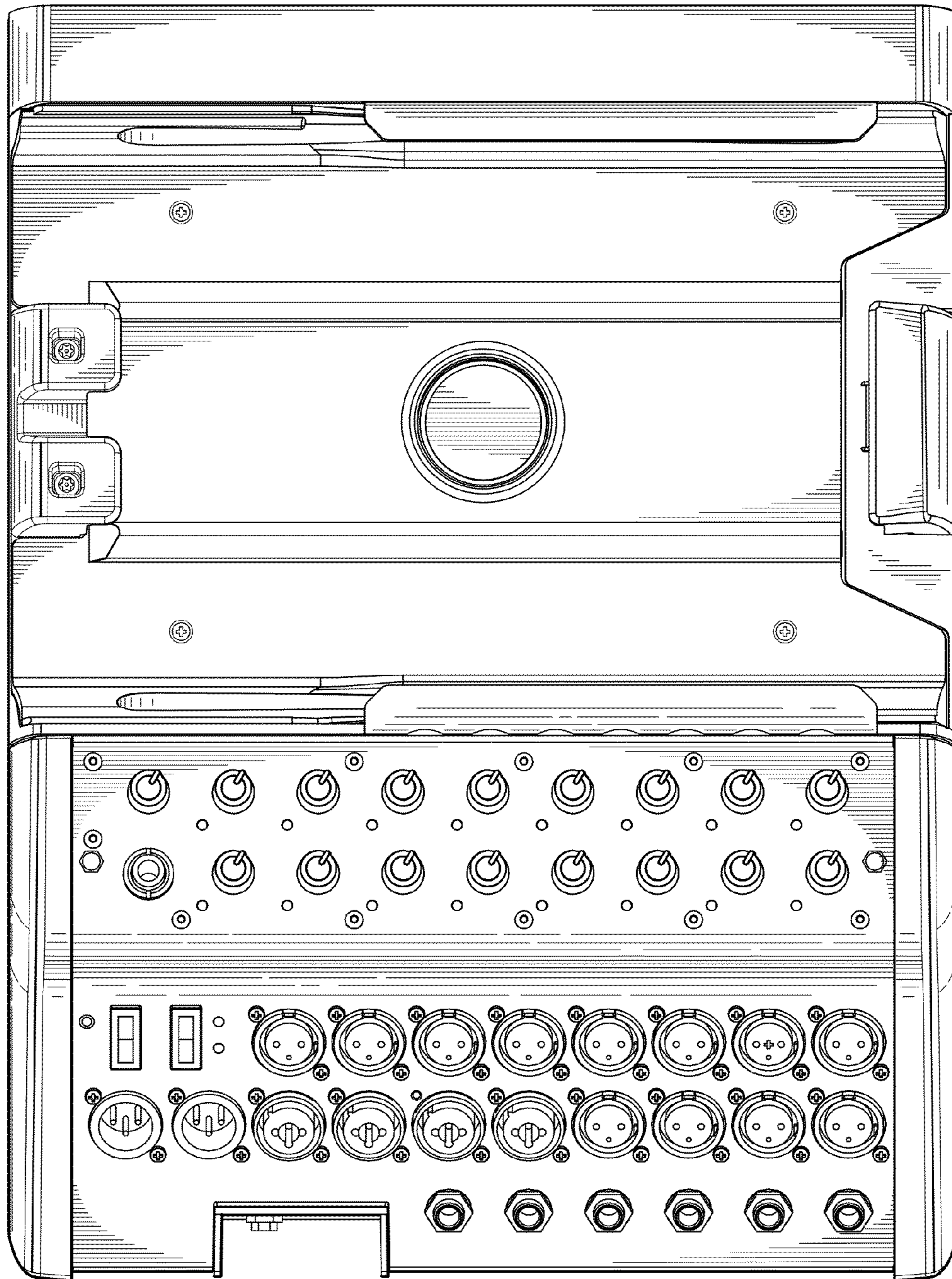


Fig. 3.

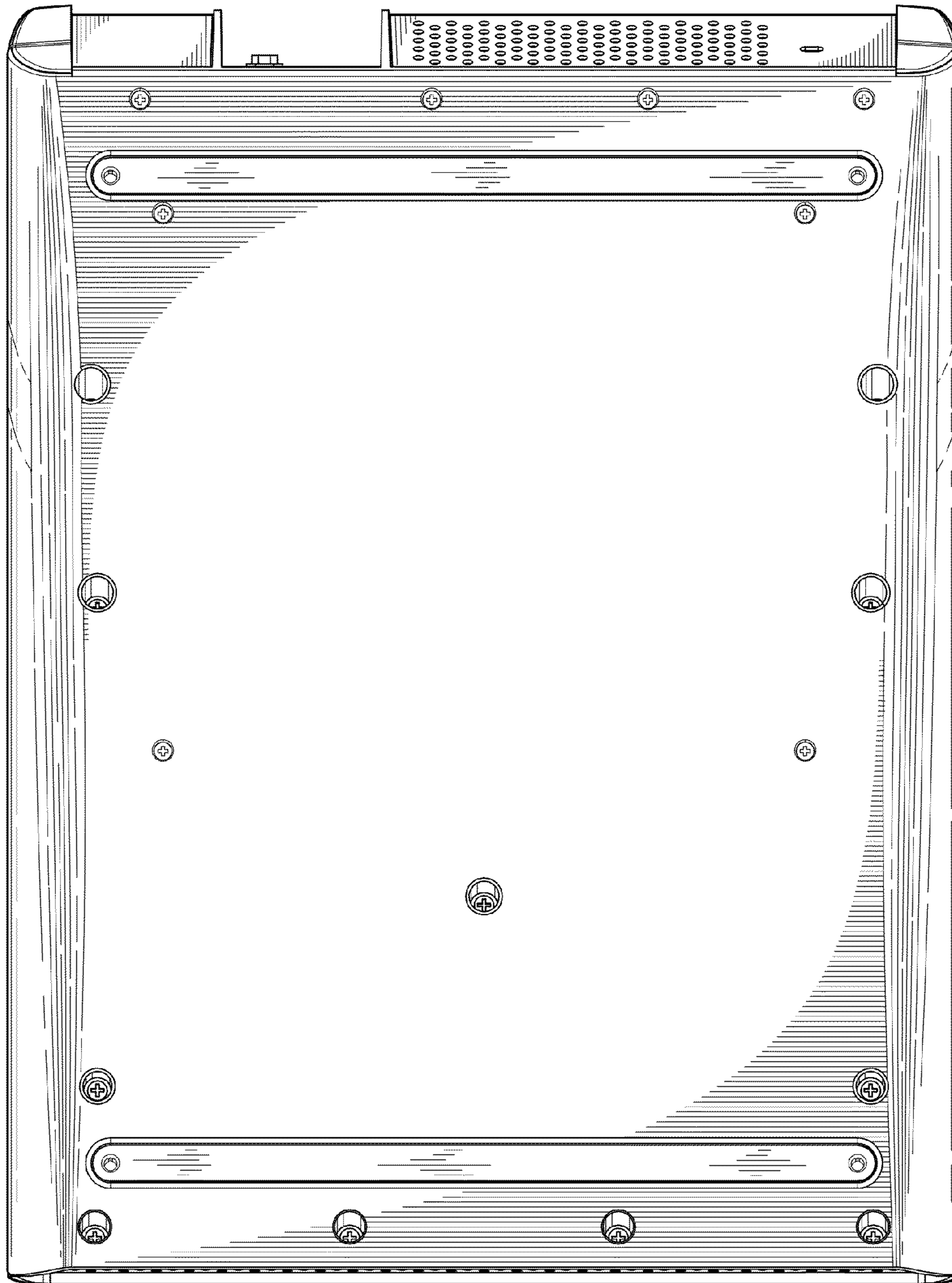


Fig. 4.

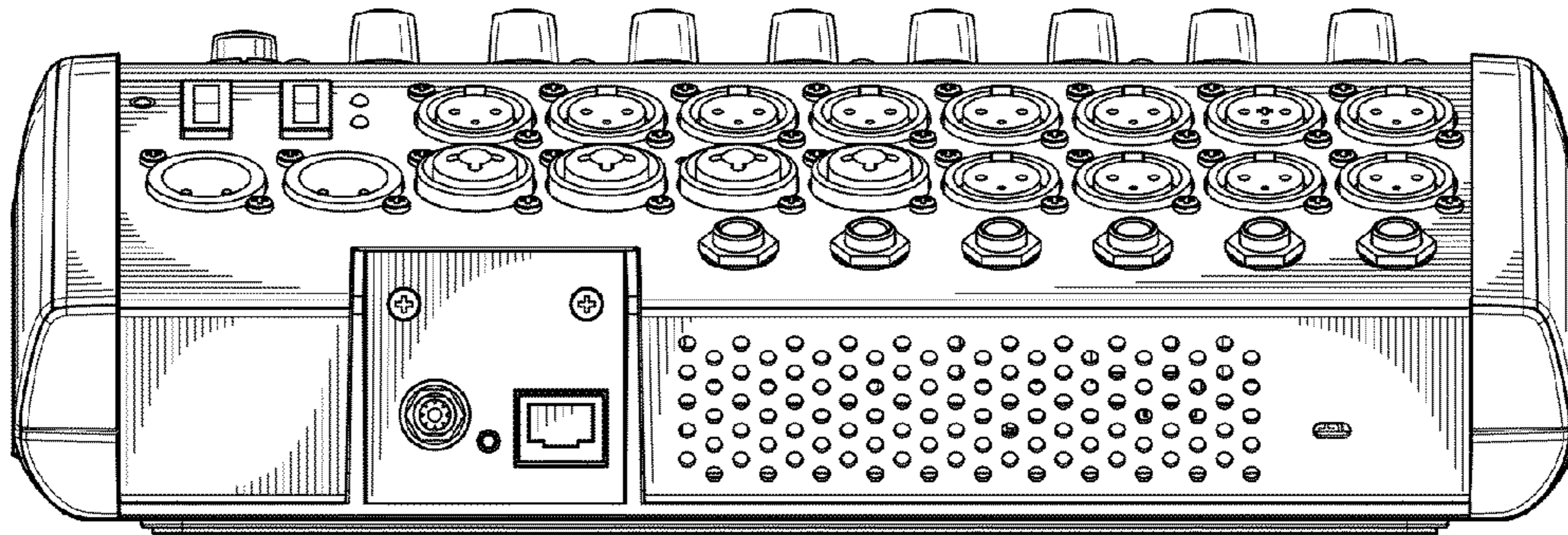


Fig. 5.

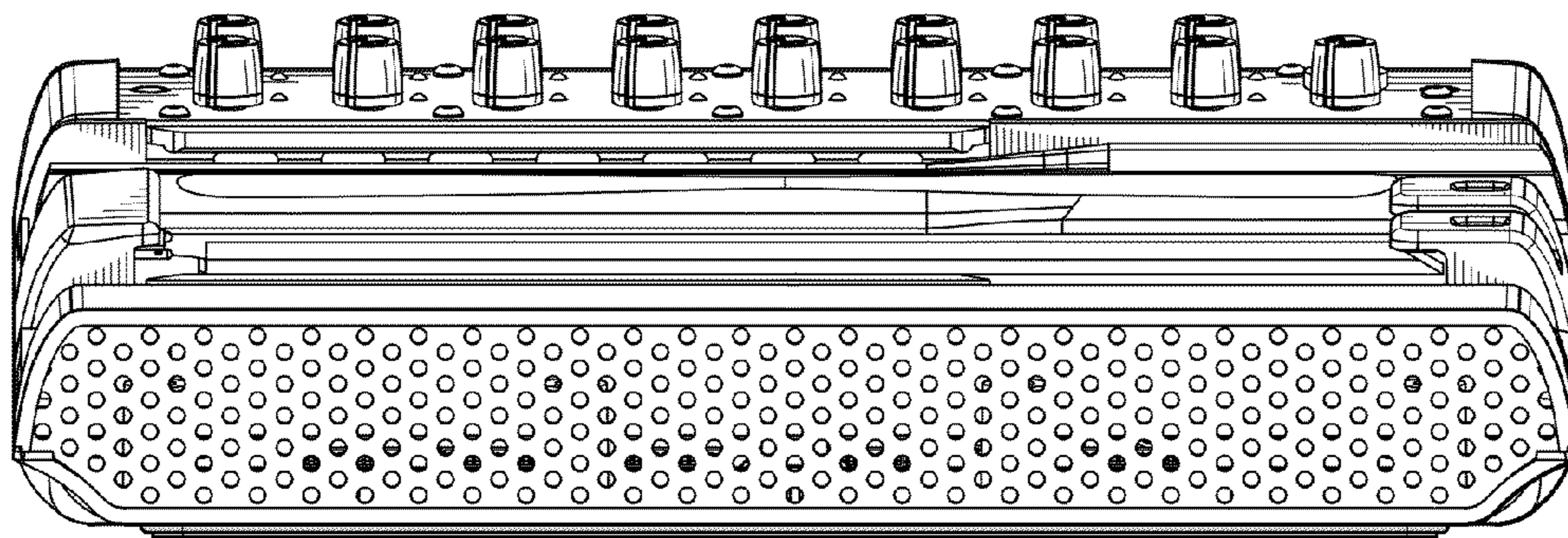


Fig. 6.

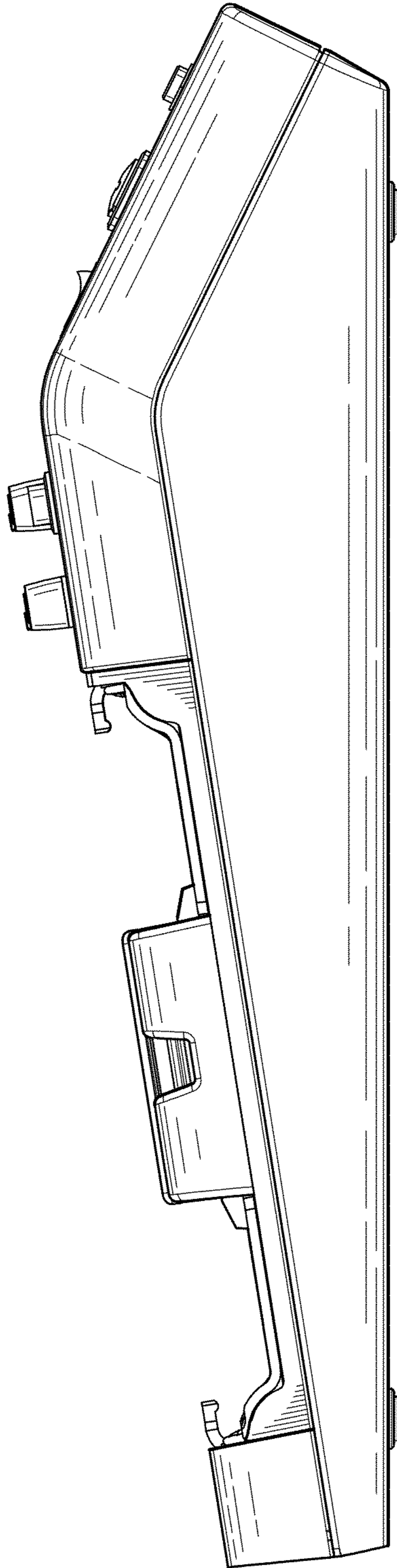


Fig. 7.