



US00D685765S

(12) **United States Design Patent**
Yagihashi et al.

(10) **Patent No.:** **US D685,765 S**
(45) **Date of Patent:** **** Jul. 9, 2013**

(54) **SPEAKER**

(75) Inventors: **Tatsuya Yagihashi**, Tokyo (JP);
Takayuki Wada, Tokyo (JP)

(73) Assignee: **Sony Corporation**, Tokyo (JP)

(**) Term: **14 Years**

(21) Appl. No.: **29/371,676**

(22) Filed: **Jun. 29, 2011**

(30) **Foreign Application Priority Data**

Dec. 29, 2010 (CN) 2010 3 0707595

(51) **LOC (9) Cl.** **14-03**

(52) **U.S. Cl.**
USPC **D14/215; D14/219**

(58) **Field of Classification Search**
USPC D14/167, 172, 194–196, 204, 207,
D14/209.1, 210–216, 221, 222; 181/143,
181/144, 147, 148, 150, 153, 157, 198, 199;
381/300–303, 306, 332, 333, 336, 345,
361–364, 386–388
See application file for complete search history.

(56) **References Cited**

U.S. PATENT DOCUMENTS

D443,262 S * 6/2001 Caren D14/224
D480,070 S * 9/2003 Hakoda D14/216
D486,818 S 2/2004 Shindo
D488,801 S 4/2004 Shindo et al.
D489,359 S * 5/2004 Hakoda D14/215

D494,155 S 8/2004 Shindo et al.
D502,460 S * 3/2005 Ueda et al. D14/168
D506,993 S 7/2005 Suzuki
D525,236 S * 7/2006 Hibi D14/221
D562,308 S * 2/2008 Matsuoka D14/216
D565,032 S * 3/2008 Iwamoto D14/220
D567,231 S * 4/2008 Nakane et al. D14/224
D572,240 S * 7/2008 Nakane D14/219
D574,812 S * 8/2008 Sei D14/216
D578,519 S * 10/2008 Nakane et al. D14/224
D601,132 S * 9/2009 Oishi D14/219
D632,671 S 2/2011 Wada
D664,122 S * 7/2012 Cho et al. D14/215

* cited by examiner

Primary Examiner — Keli L Hill

(74) *Attorney, Agent, or Firm* — Rader, Fishman & Grauer PLLC

(57) **CLAIM**

The ornamental design for a speaker, as shown and described.

DESCRIPTION

FIG. 1 is a perspective view of a first embodiment of a speaker showing our new design;
FIG. 2 is a front elevational view thereof;
FIG. 3 is a left side elevational view thereof;
FIG. 4 is a right side elevational view thereof;
FIG. 5 is a top plan view thereof; and,
FIG. 6 is a bottom plan view thereof.
The broken lines shown are included for the purpose of illustrating the unclaimed portions of the speaker and form no part of the claim.

1 Claim, 6 Drawing Sheets

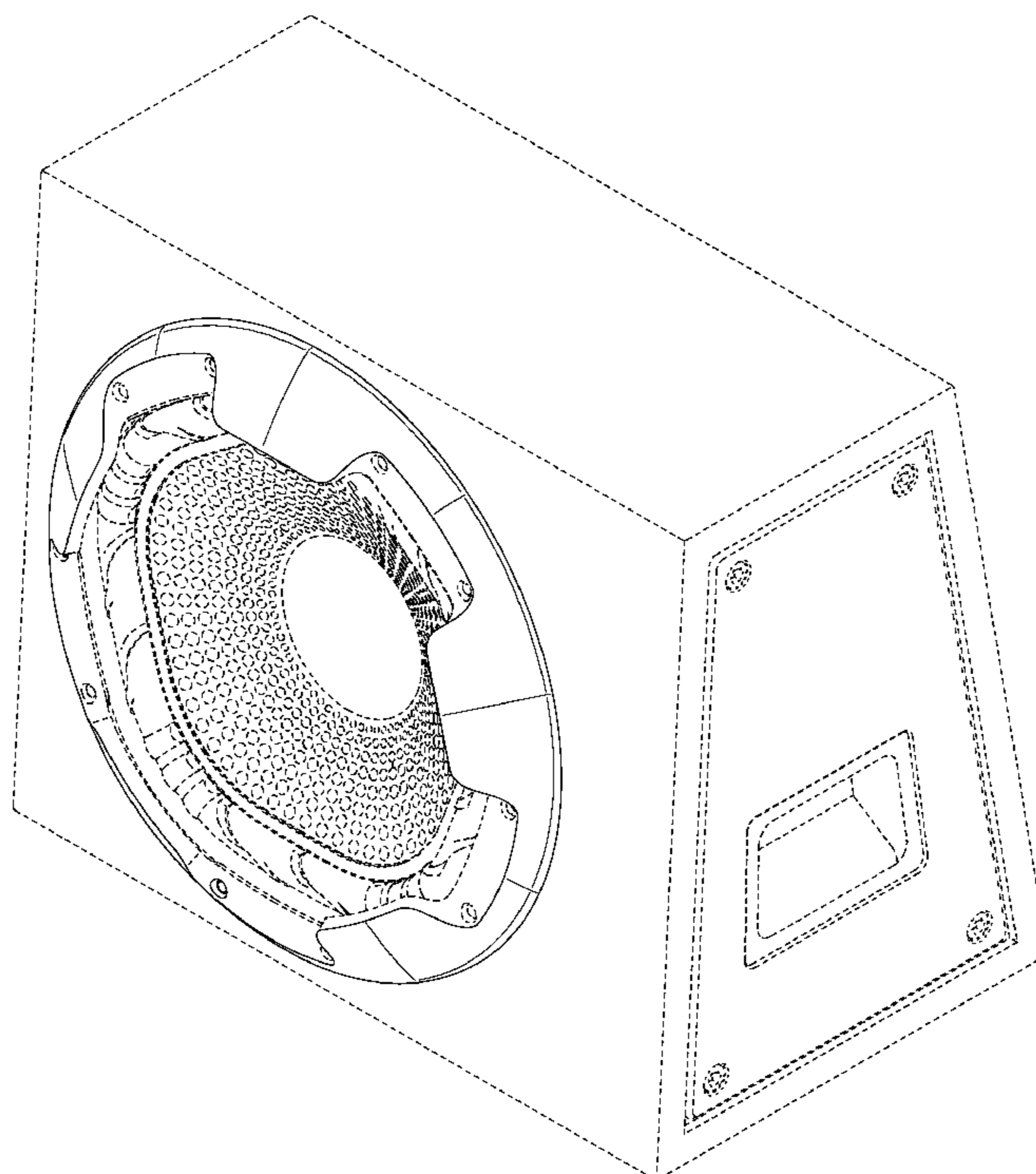


FIG.1

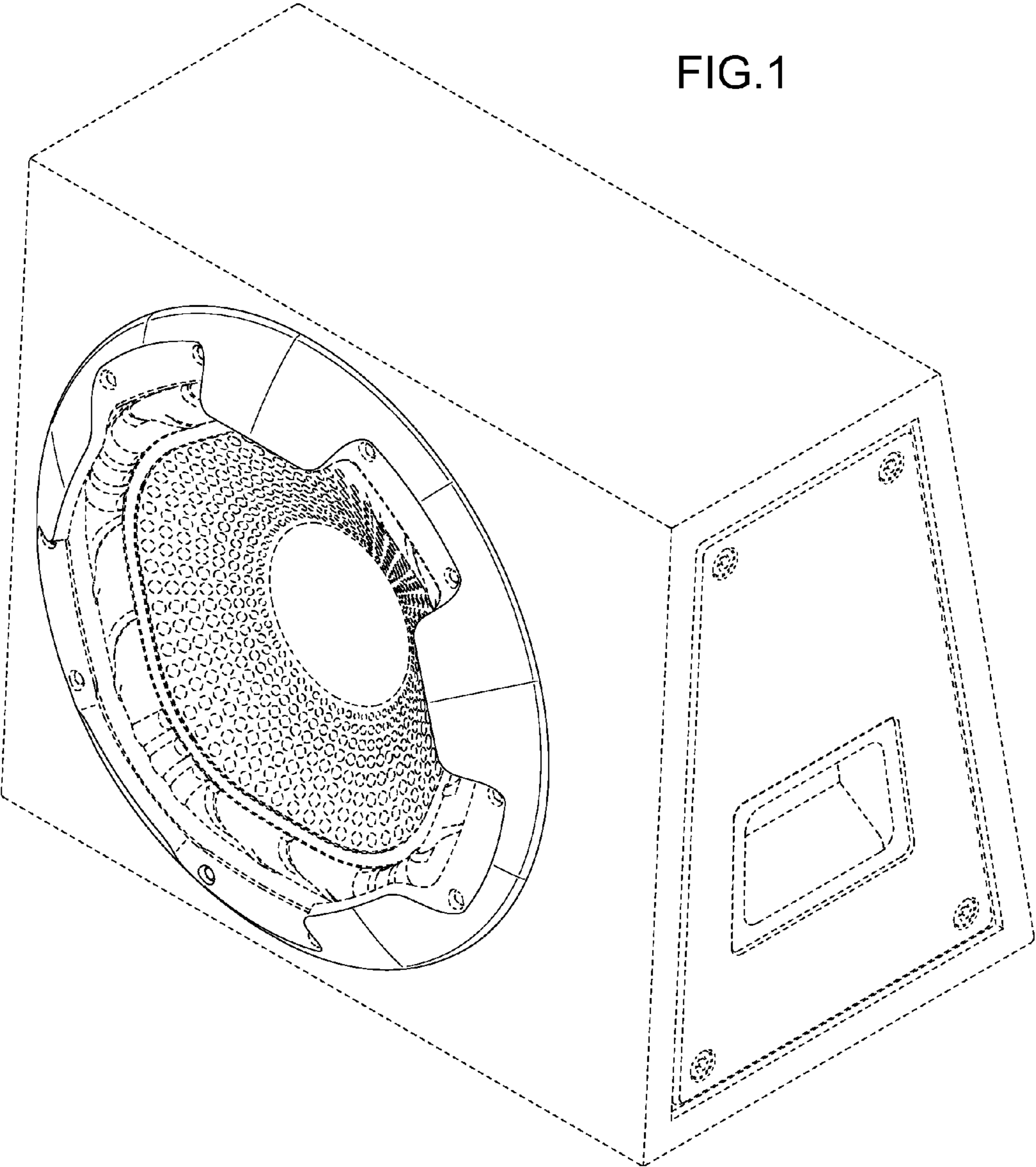


FIG.2

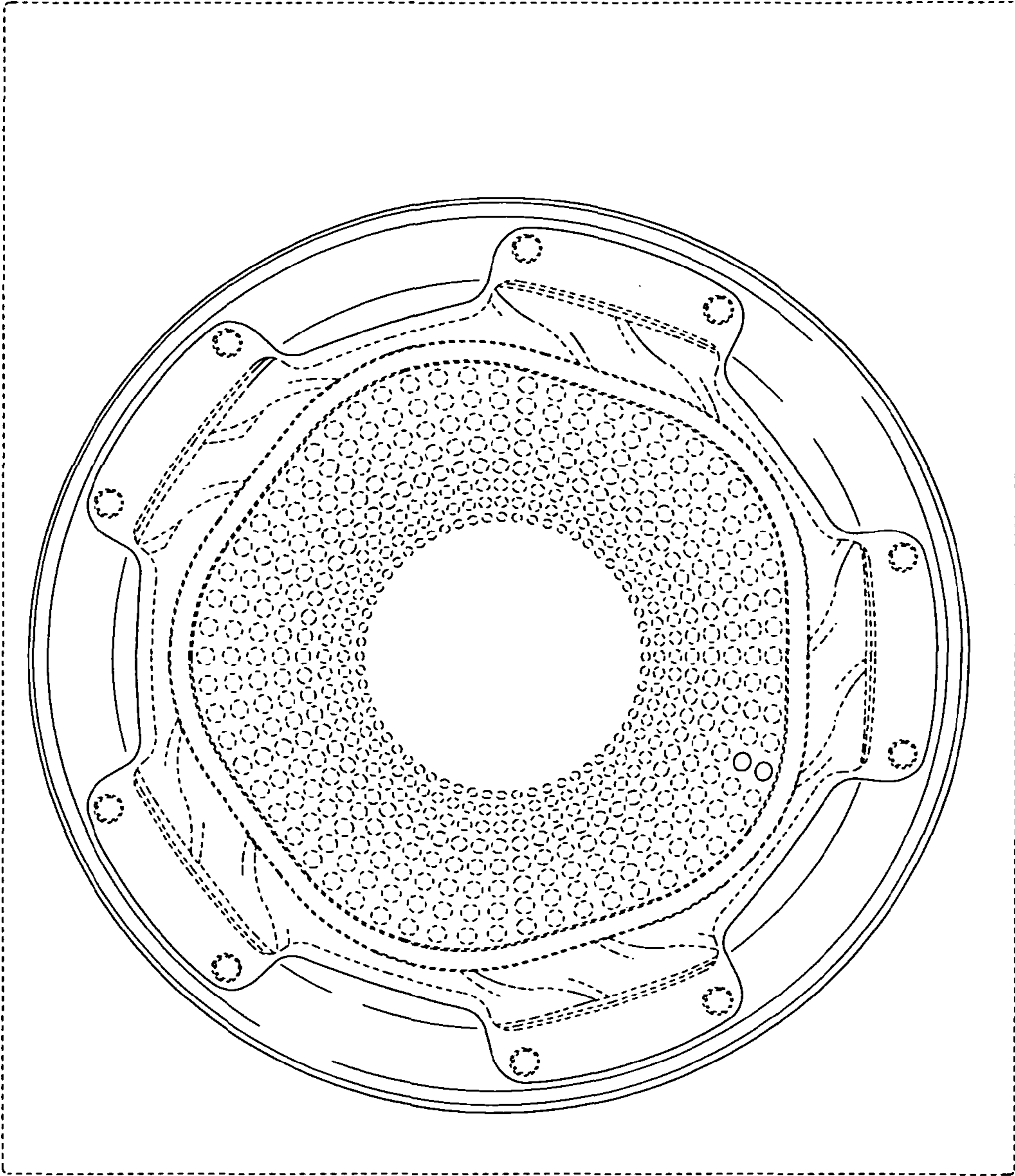


FIG.3

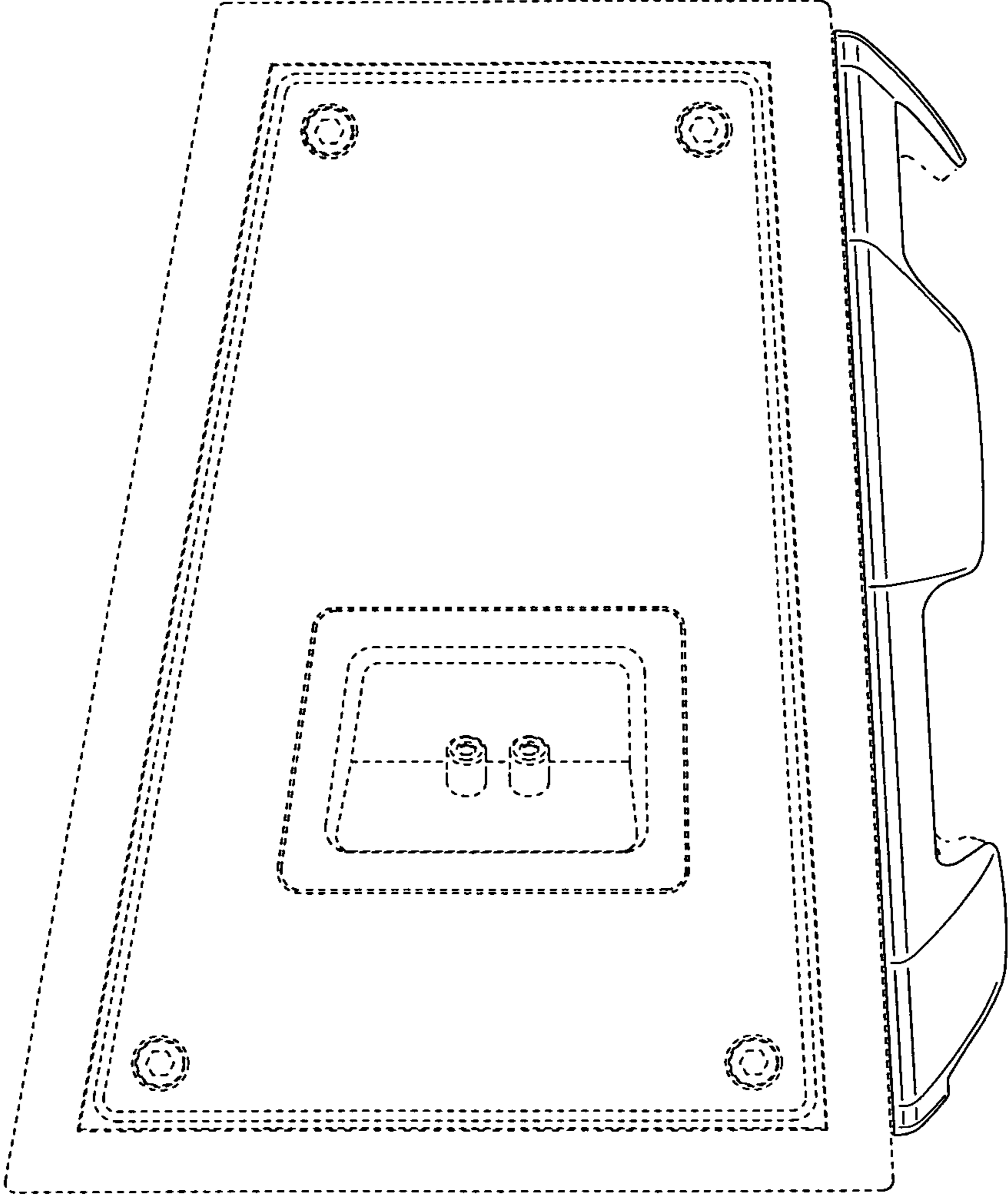


FIG.4

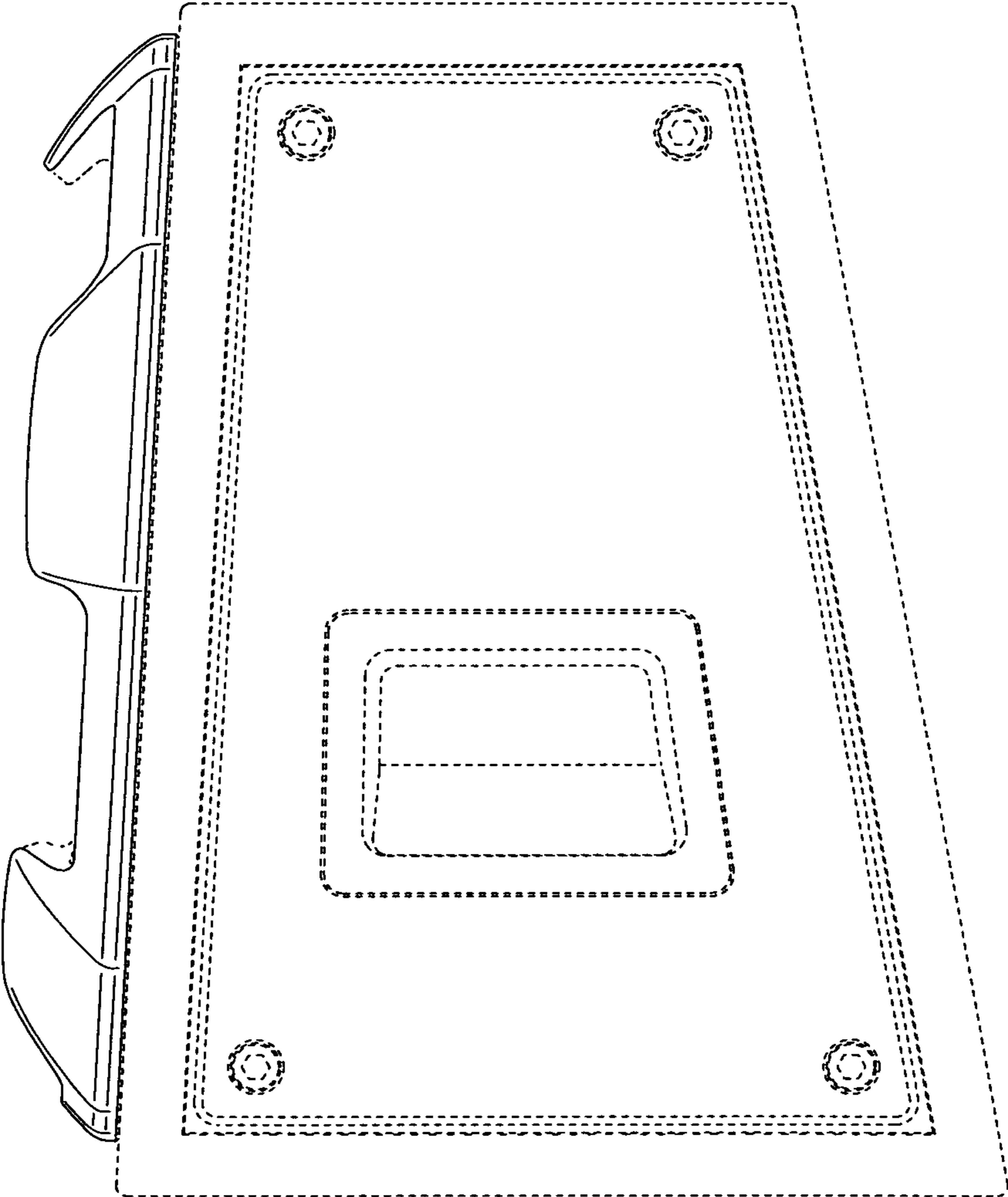


FIG.5

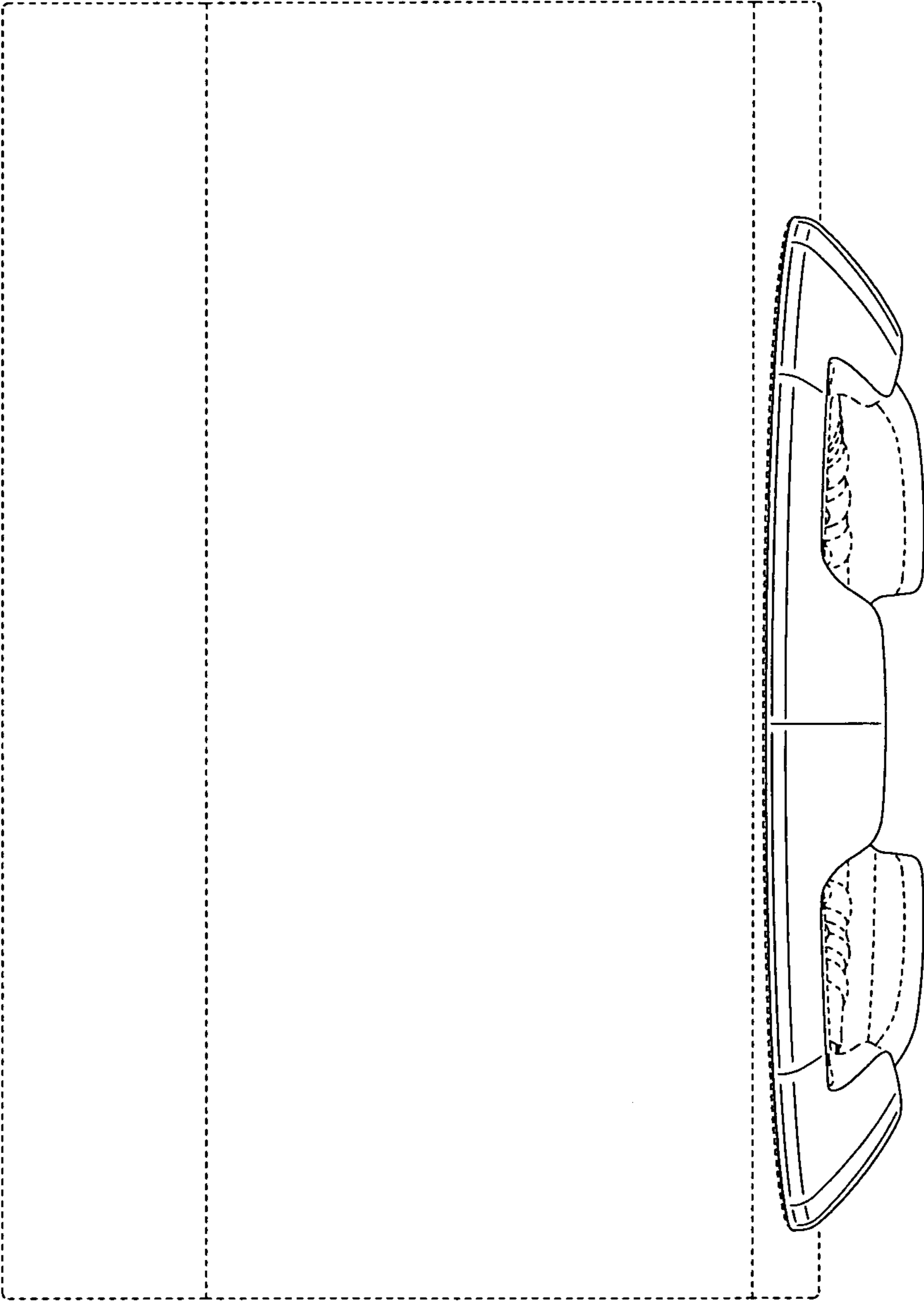


FIG.6

