



US00D685762S

(12) **United States Design Patent**
Nokuo

(10) **Patent No.:** **US D685,762 S**
(45) **Date of Patent:** **** Jul. 9, 2013**

(54) **HEADPHONE**

(71) Applicant: **Sony Computer Entertainment Inc.,**
Tokyo (JP)

(72) Inventor: **Taichi Nokuo,** Tokyo (JP)

(73) Assignee: **Sony Computer Entertainment Inc.,**
Tokyo (JP)

(**) Term: **14 Years**

(21) Appl. No.: **29/421,914**

(22) Filed: **Oct. 18, 2012**

(30) **Foreign Application Priority Data**

May 31, 2012 (JP) D2012-012910

(51) **LOC (9) Cl.** **14-01**

(52) **U.S. Cl.**
USPC **D14/205**

(58) **Field of Classification Search**
USPC .. D14/205, 206; 181/129, 130, 135; 379/430,
379/431; 381/380, 381; 455/90.3, 575.1; 2/9,
2/10, 209, 423, 451; D29/108, 112; D21/309
See application file for complete search history.

(56) **References Cited**

U.S. PATENT DOCUMENTS

3,505,684	A *	4/1970	Hutchinson et al.	2/209
D222,361	S *	10/1971	Hart	D14/205
D246,259	S *	11/1977	Nishimura et al.	D14/205
4,677,694	A *	7/1987	Crow	2/9
5,841,858	A *	11/1998	Frierson	379/430
D409,197	S *	5/1999	Nakamura	D14/205
6,695,477	B1 *	2/2004	Nishiguchi et al.	381/74
D520,492	S *	5/2006	Chen	D14/205
D539,267	S *	3/2007	Komiyama	D14/205
D544,650	S *	6/2007	Westerdal	D29/112
D556,187	S *	11/2007	Feng	D14/205
D560,654	S *	1/2008	Feng	D14/205
D585,050	S *	1/2009	Gondo	D14/205

D601,125	S *	9/2009	Komiyama	D14/205
D616,418	S *	5/2010	Morisawa	D14/205
D636,377	S *	4/2011	Morisawa	D14/205
D641,725	S *	7/2011	Chong et al.	D14/205
D643,830	S *	8/2011	Fish	D14/205
D657,346	S *	4/2012	Park	D14/205
D662,912	S *	7/2012	Iijima et al.	D14/205

FOREIGN PATENT DOCUMENTS

AU	341308	S	2/2012
JP	D1261819	S	2/2006
JP	D1278184	S	8/2006
JP	D1365432	S	7/2009
JP	D1382301	S	3/2010

OTHER PUBLICATIONS

Office Action issued in Russian Patent Application No. 2012503614,
dated Jan. 28, 2013.

* cited by examiner

Primary Examiner — Paula Greene

(74) *Attorney, Agent, or Firm* — Rader, Fishman & Grauer
PLLC

(57) **CLAIM**

The ornamental design for a headphone, as shown and
described.

DESCRIPTION

FIG. 1 is a front, top, right perspective view of a headphone
showing my new design;

FIG. 2 is a front, bottom, right perspective view thereof;

FIG. 3 is a front elevational view thereof;

FIG. 4 is a rear elevational view thereof;

FIG. 5 is a right side elevational view thereof;

FIG. 6 is a top plan view thereof;

FIG. 7 is a bottom plan view thereof; and,

FIG. 8 is a left side elevational view thereof.

Portions in broken lines are for an illustrative purpose only
and form no part of the claimed design.

1 Claim, 8 Drawing Sheets

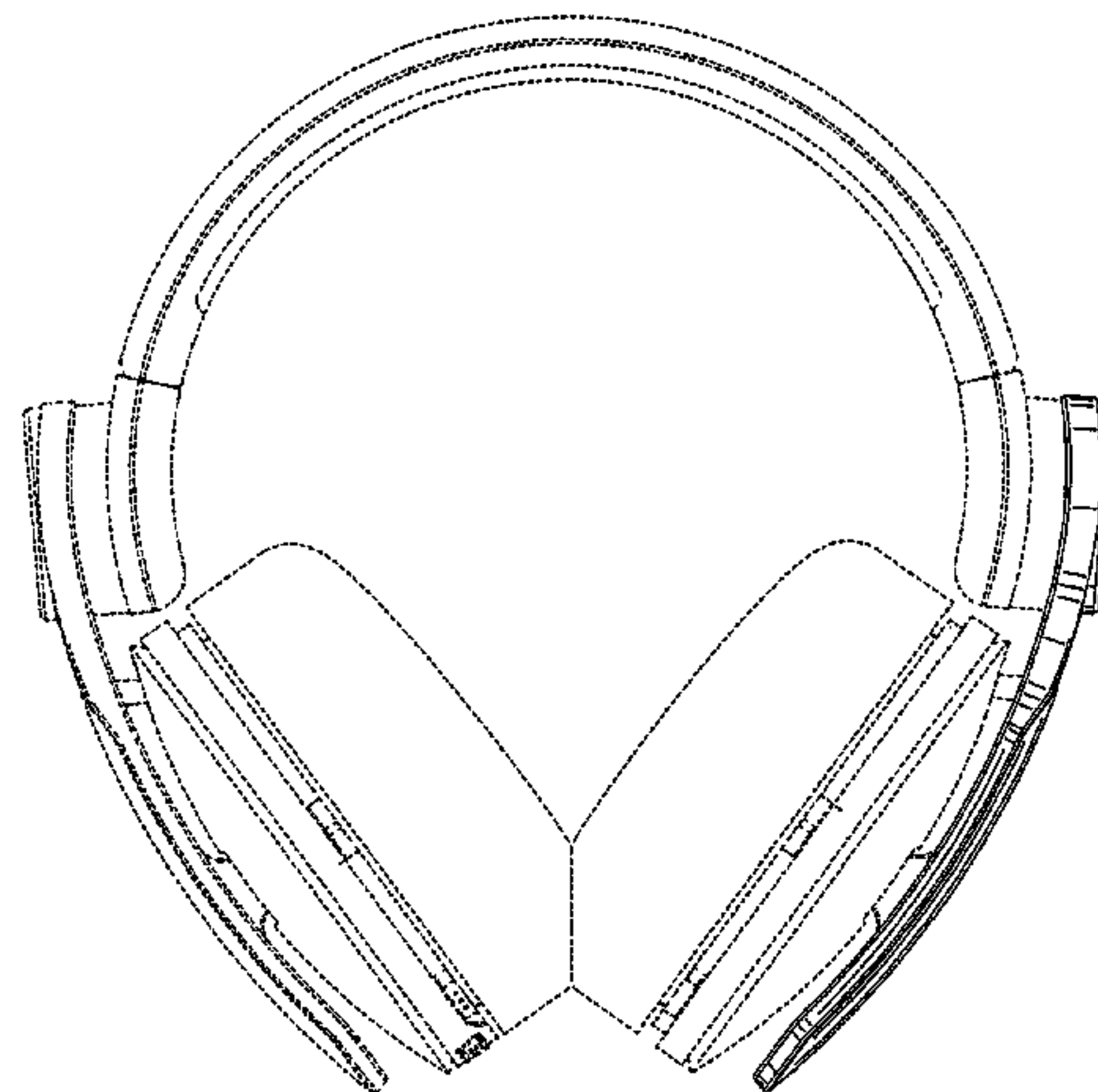
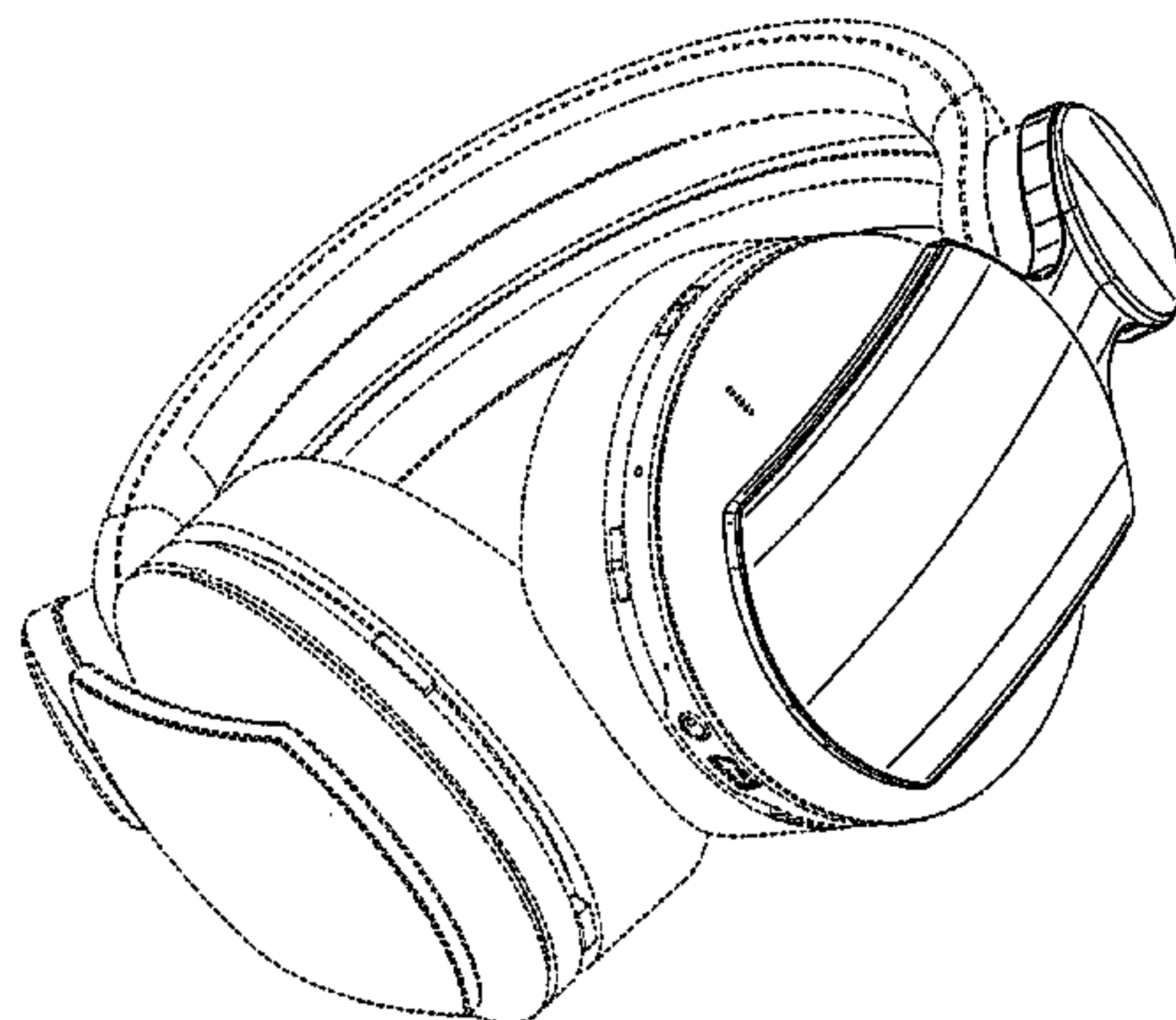


FIG.1

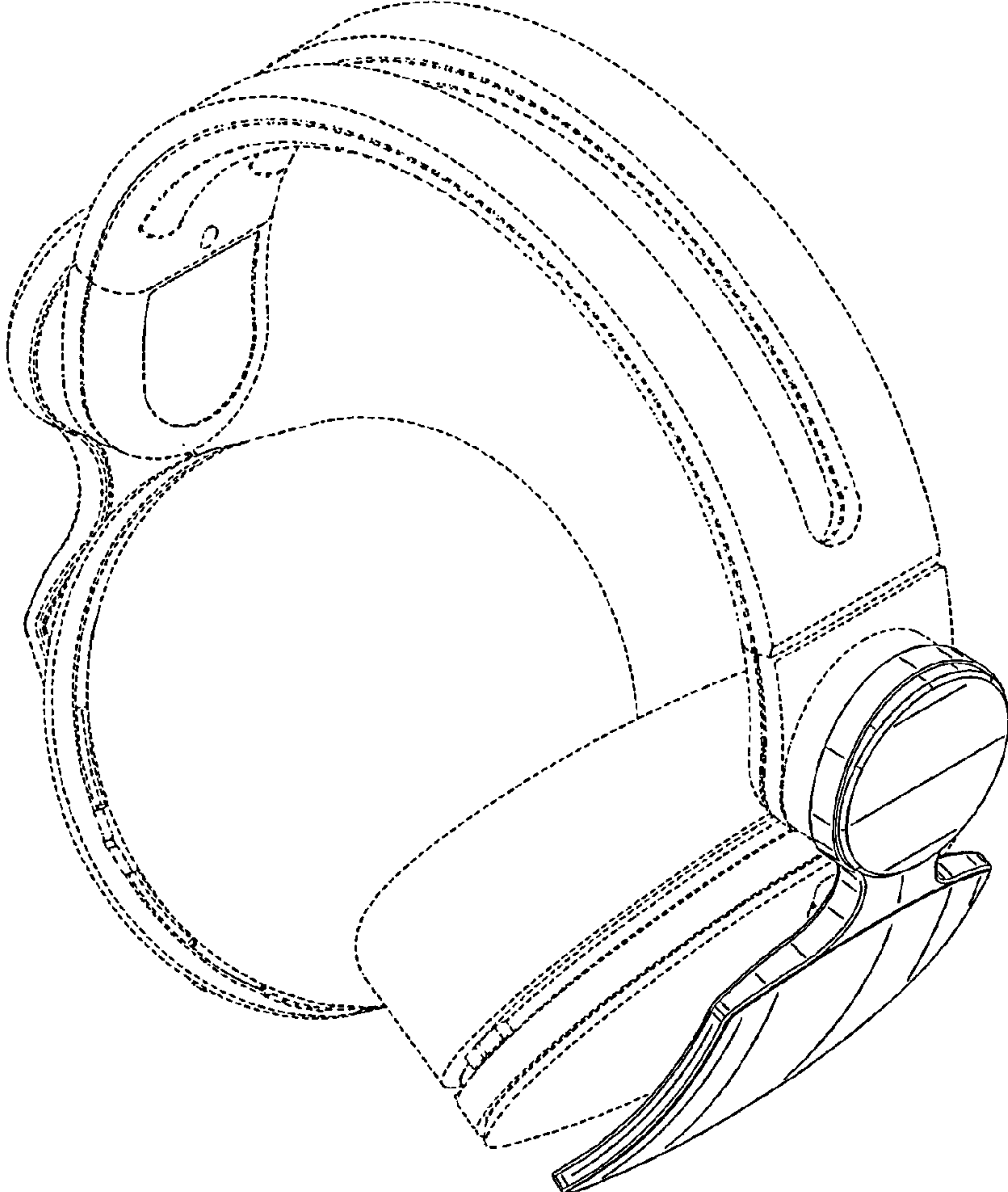


FIG.2

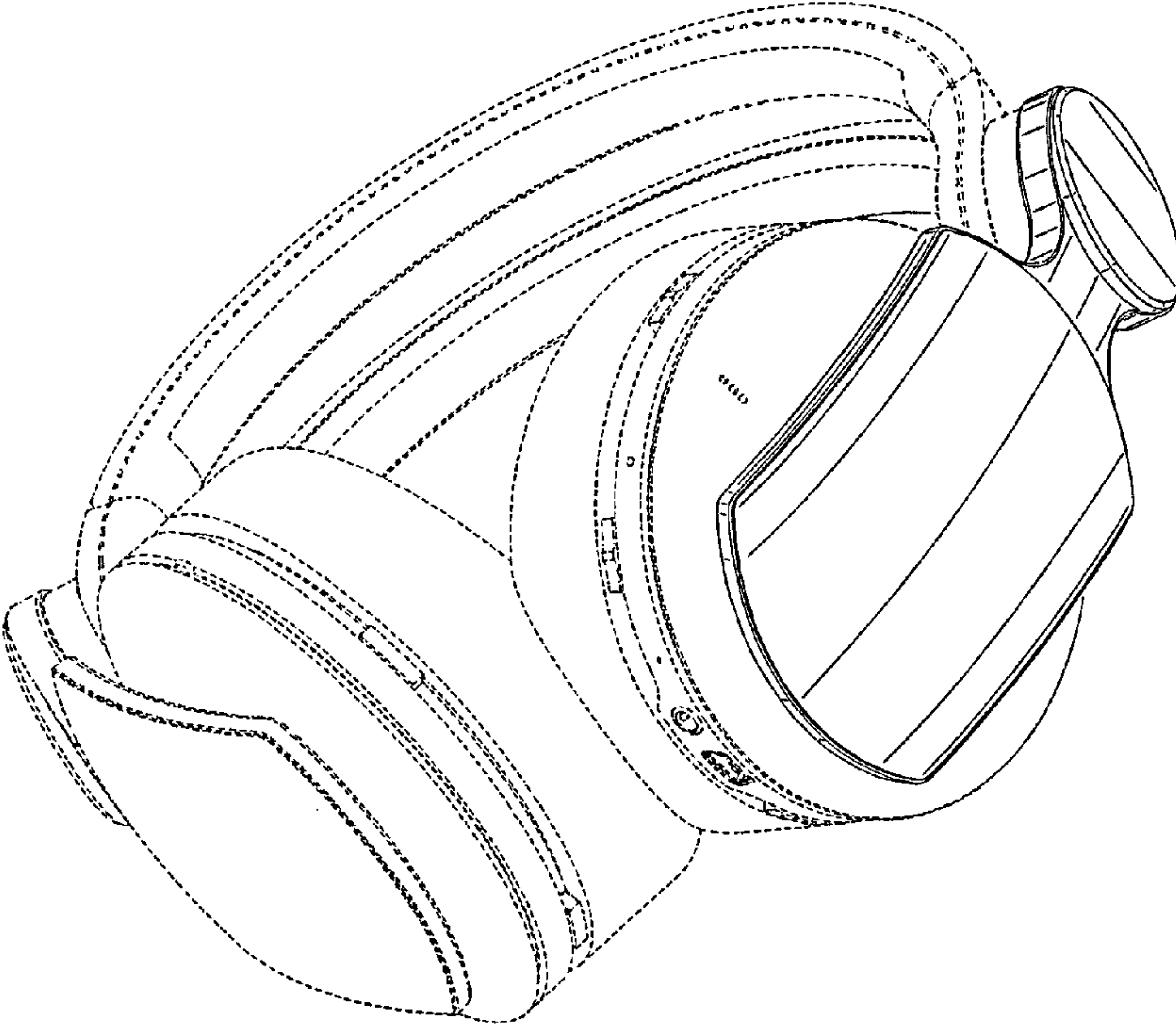


FIG.3

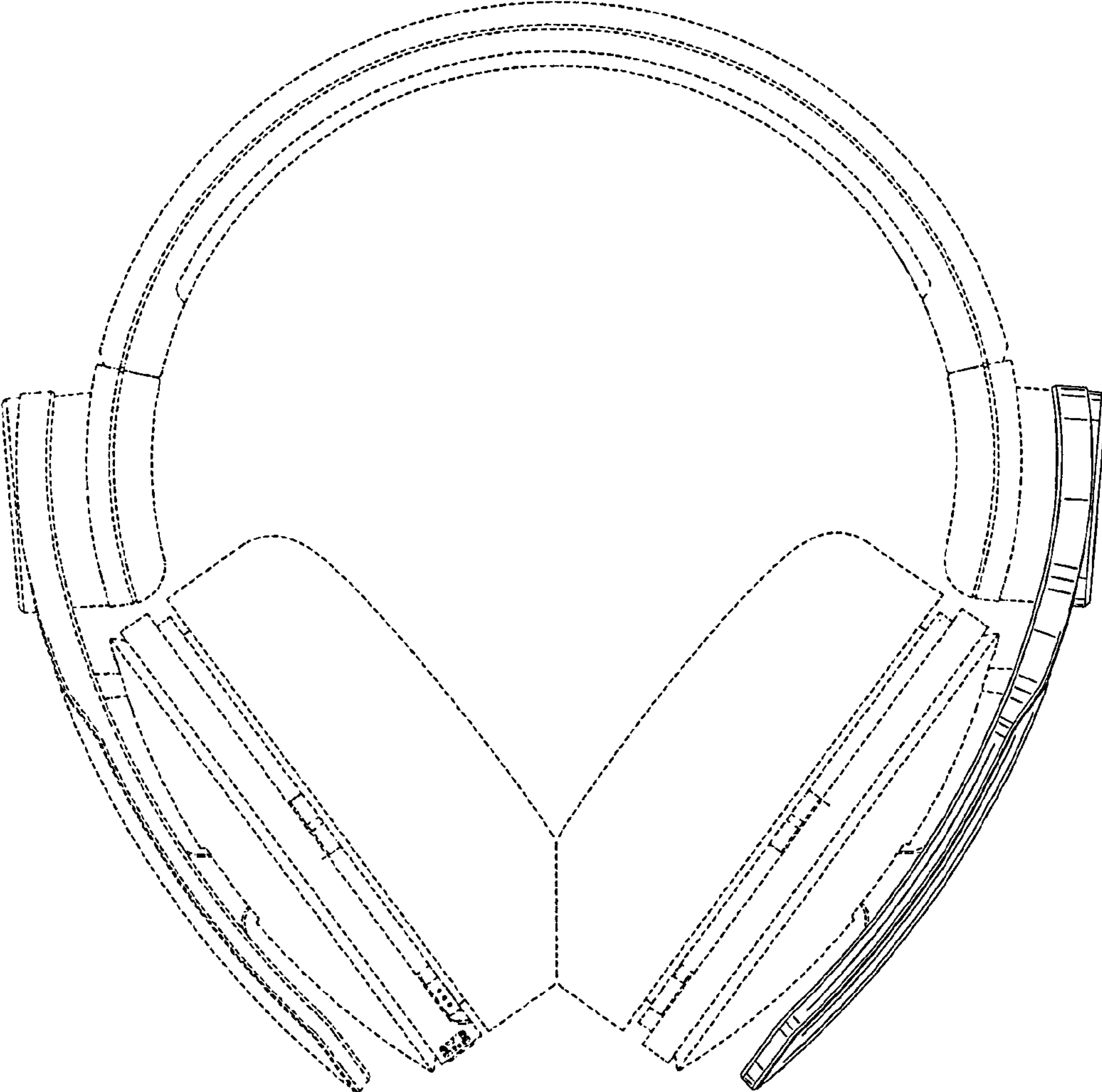


FIG.4

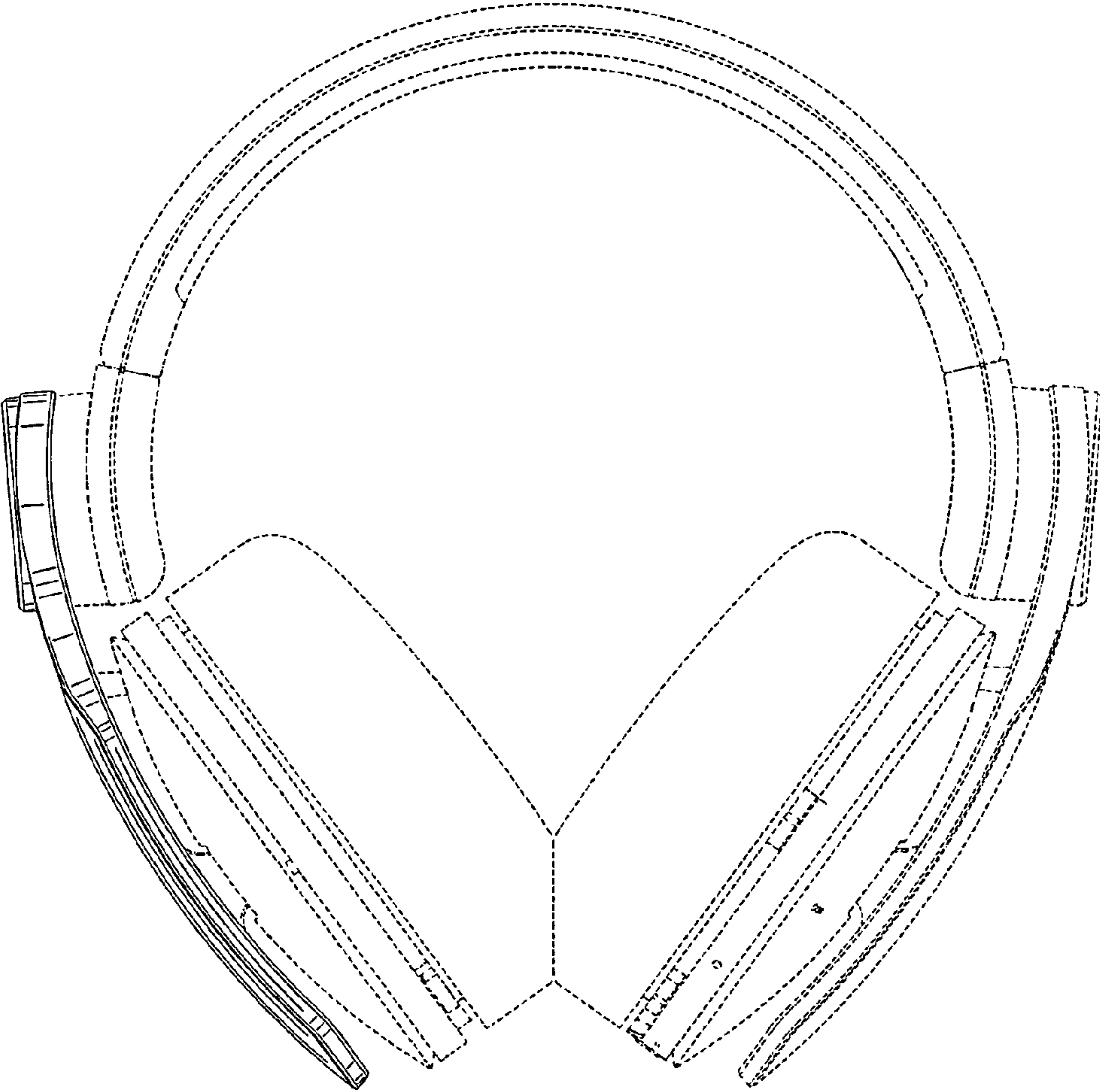


FIG.5

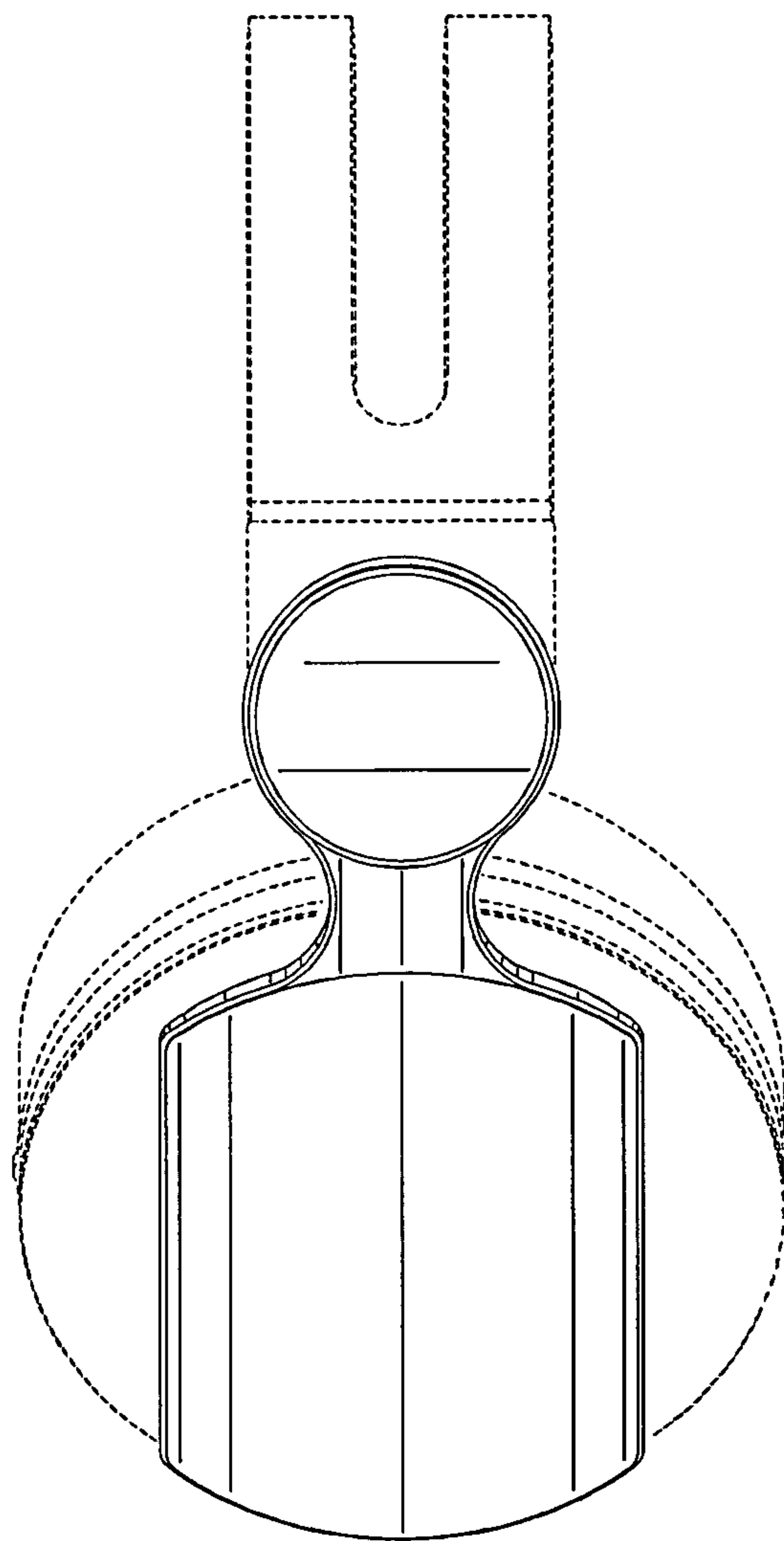


FIG.6

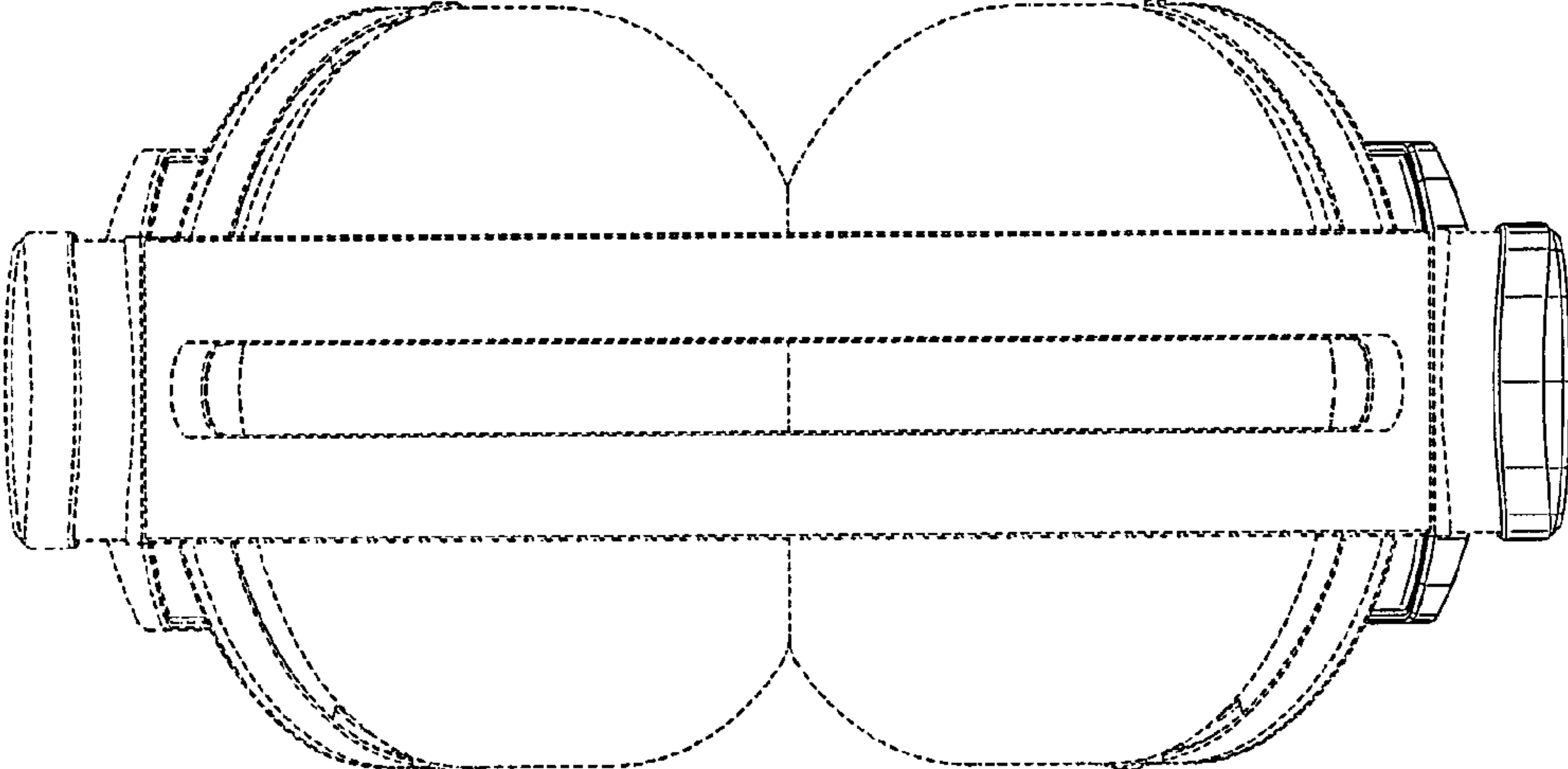


FIG.7

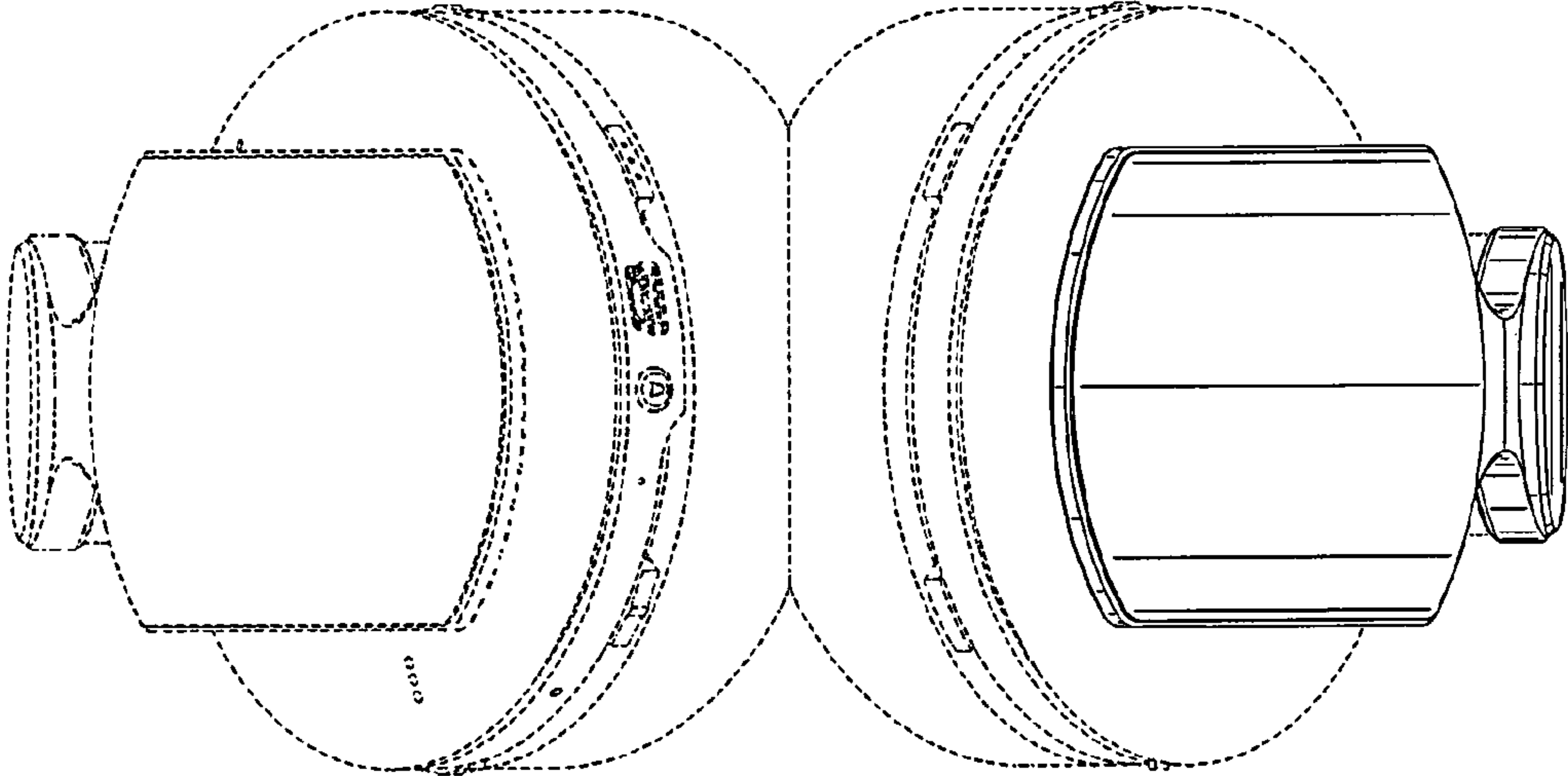


FIG.8

