



US00D685761S

(12) **United States Design Patent**
Fletcher et al.

(10) **Patent No.:** **US D685,761 S**

(45) **Date of Patent:** **** *Jul. 9, 2013**

(54) **CORDED HEADSET**

(75) Inventors: **Jodie Elizabeth Fletcher**, Ottawa (CA);
Robert Alexander Sawatsky, Carleton
Place (CA); **Todd Andrew Wood**,
Toronto (CA); **Ian James Murchison**,
Toronto (CA); **Anders Fahrendorff**,
Ottawa (CA)

(73) Assignee: **Research In Motion Limited**, Waterloo,
Ontario (CA)

(*) Notice: This patent is subject to a terminal dis-
claimer.

(**) Term: **14 Years**

(21) Appl. No.: **29/414,286**

(22) Filed: **Feb. 27, 2012**

(51) **LOC (9) Cl.** **14-01**

(52) **U.S. Cl.**
USPC **D14/205**

(58) **Field of Classification Search**
USPC D14/205, 206, 223, 192, 218; 181/129,
181/130, 135; 379/430, 431, 420.01; 381/380,
381/381; D13/133; 455/90.3, 575.1
See application file for complete search history.

(56) **References Cited**

U.S. PATENT DOCUMENTS

| | | | | | |
|-----------|------|---------|-----------------|-------|------------|
| 3,821,647 | A * | 6/1974 | Minasian | | 455/269 |
| D244,611 | S * | 6/1977 | Gietzen | | D13/133 |
| 4,646,872 | A * | 3/1987 | Kamon et al. | | 181/129 |
| 4,893,344 | A * | 1/1990 | Tragardh et al. | | 381/381 |
| D311,007 | S * | 10/1990 | Daido | | D14/205 |
| D318,670 | S * | 7/1991 | Taniguchi | | D14/205 |
| 5,247,293 | A * | 9/1993 | Nakagawa | | 340/4.42 |
| 6,122,369 | A * | 9/2000 | Hwang et al. | | 379/420.04 |
| 6,198,821 | B1 * | 3/2001 | Yang | | 379/420.04 |
| D511,157 | S * | 11/2005 | Johnson | | D14/223 |

| | | | | | |
|----------|-----|---------|--------------------|-------|---------|
| D558,735 | S * | 1/2008 | Carr et al. | | D14/206 |
| D567,185 | S * | 4/2008 | Mayo et al. | | D13/158 |
| D568,291 | S * | 5/2008 | Andre et al. | | D14/205 |
| D569,841 | S * | 5/2008 | Chung et al. | | D14/205 |
| D578,508 | S * | 10/2008 | Wang | | D14/206 |
| D582,389 | S * | 12/2008 | Bose et al. | | D14/205 |
| D582,889 | S * | 12/2008 | Bose et al. | | D14/205 |
| D589,491 | S * | 3/2009 | Andre et al. | | D14/205 |
| D590,371 | S * | 4/2009 | Leinvuo | | D14/205 |
| D591,264 | S * | 4/2009 | Hong et al. | | D14/205 |
| D595,690 | S * | 7/2009 | Fullerton | | D14/205 |
| D599,778 | S * | 9/2009 | Ando | | D14/205 |
| D599,779 | S * | 9/2009 | Ando | | D14/205 |
| D636,756 | S * | 4/2011 | Fahrendorff et al. | | D14/205 |
| D637,998 | S * | 5/2011 | Brunner et al. | | D14/205 |
| D643,414 | S * | 8/2011 | Lee et al. | | D14/223 |
| D652,817 | S * | 1/2012 | Lee et al. | | D14/205 |
| D662,079 | S * | 6/2012 | Fahrendorff et al. | | D14/205 |

* cited by examiner

Primary Examiner — Paula Greene

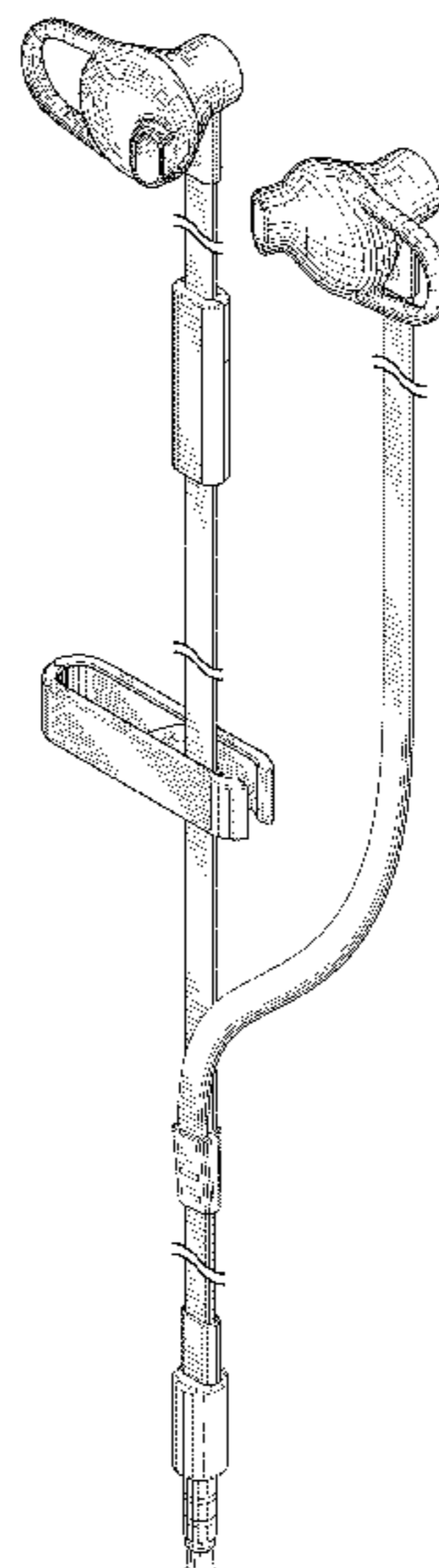
(57) **CLAIM**

We claim the ornamental design for a corded headset, as shown and described.

DESCRIPTION

FIG. 1 is a front perspective view of a corded headset showing our new design;
FIG. 2 is a back perspective view thereof;
FIG. 3 is a front elevational view thereof;
FIG. 4 is a back elevational view thereof;
FIG. 5 is a right elevational view thereof;
FIG. 6 is a left elevation view thereof;
FIG. 7 is a top plan view thereof; and,
FIG. 8 is a bottom plan view thereof, wherein the cord of the corded headset is shown in FIGS. 1 to 6 with symbolic breaks to indicate an indeterminate length. The symbolic breaks and portions of the corded headset between adjacent symbolic break indications form no part of the claimed design.

1 Claim, 6 Drawing Sheets



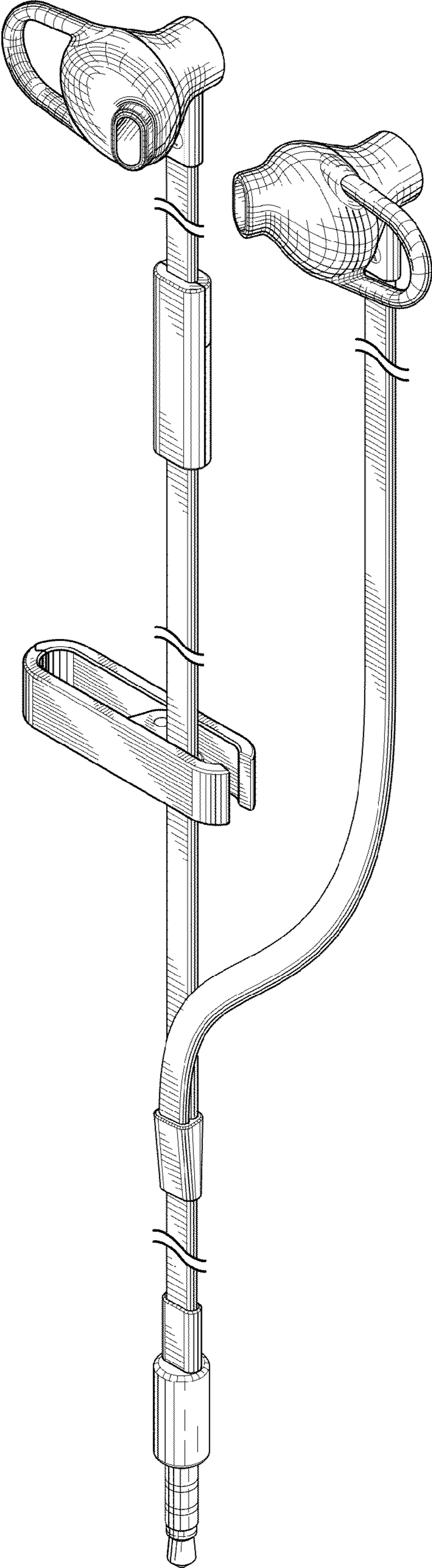


FIG.1

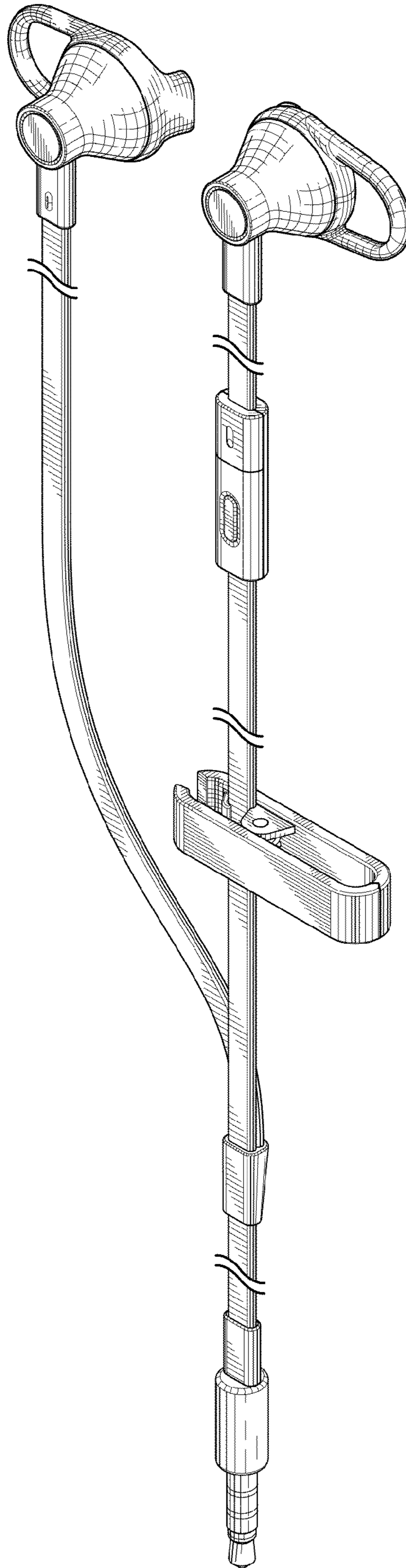


FIG.2

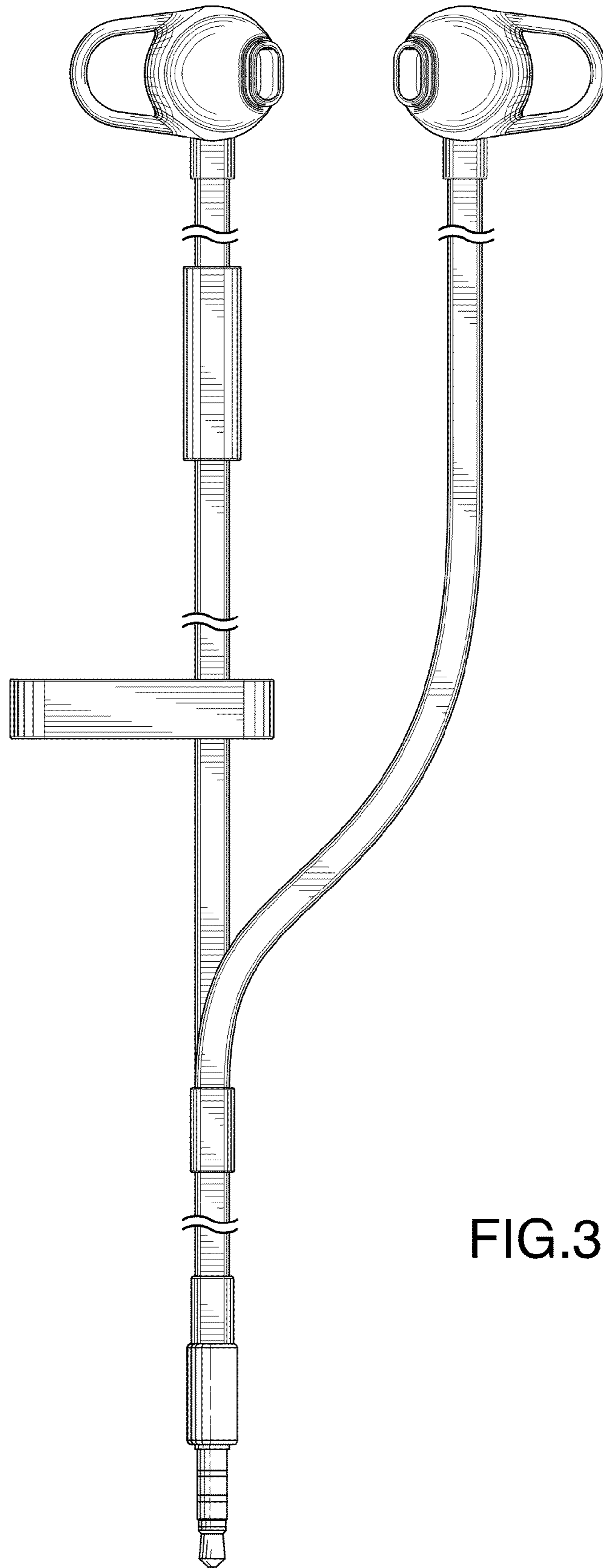


FIG.3

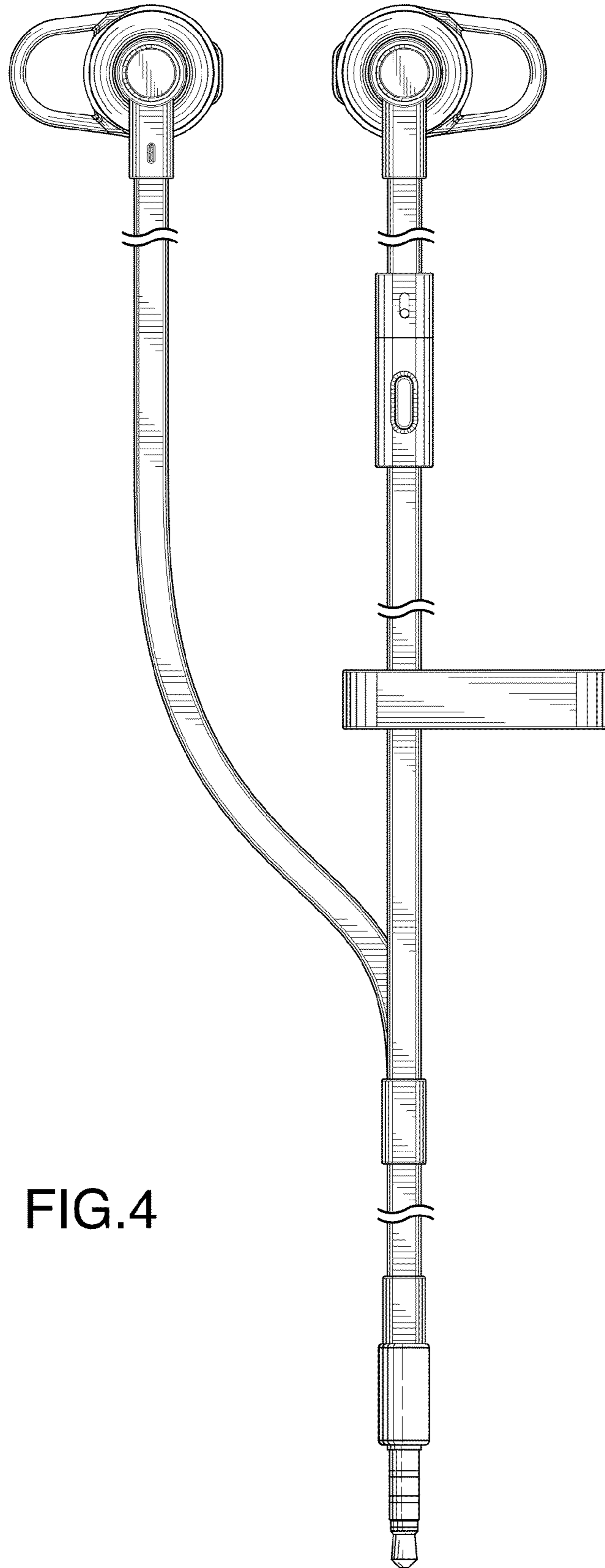


FIG.4

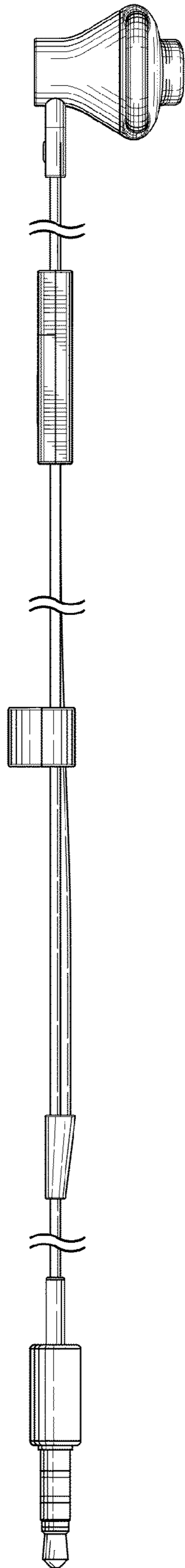


FIG. 5

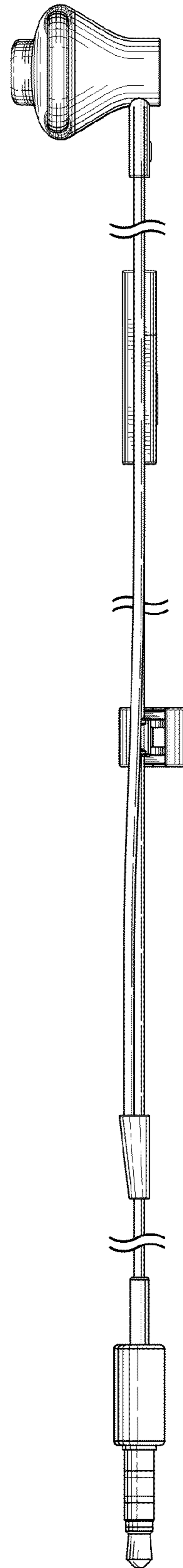


FIG. 6

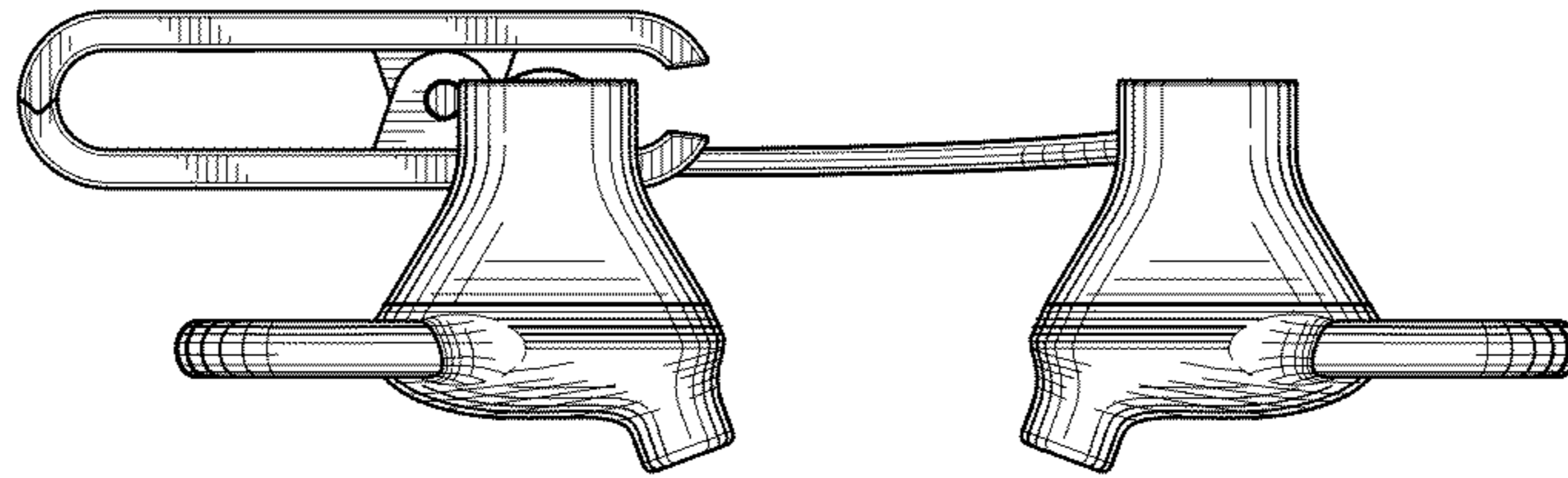


FIG. 7

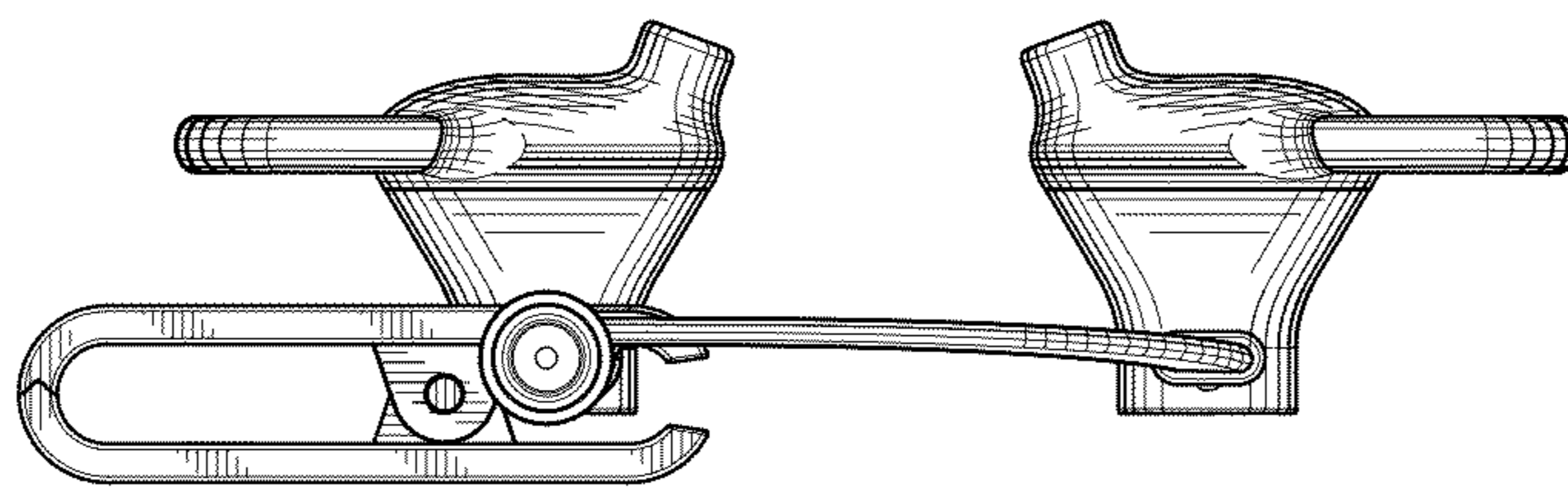


FIG. 8