



US00D685759S

(12) **United States Design Patent**  
**Kelly et al.**

(10) **Patent No.:** **US D685,759 S**  
(45) **Date of Patent:** **\*\* Jul. 9, 2013**

(54) **HEADPHONE**

(75) Inventors: **Peter M. Kelly**, Park City, UT (US);  
**Daniel A. Levine**, Newport Beach, CA  
(US); **Donald C. Stiff**, Park City, UT  
(US)

(73) Assignee: **Skullcandy, Inc.**, Park City, UT (US)

(\*\*) Term: **14 Years**

(21) Appl. No.: **29/408,959**

(22) Filed: **Dec. 19, 2011**

(51) **LOC (9) Cl.** ..... **14-01**

(52) **U.S. Cl.**  
USPC ..... **D14/205**

(58) **Field of Classification Search**  
USPC ..... D14/205, 206, 223; 181/129, 130,  
181/135; 379/430, 431; 381/380, 381; 455/90.3,  
455/575.2

See application file for complete search history.

(56) **References Cited**

**U.S. PATENT DOCUMENTS**

2,437,049	A *	3/1948	Salisbury et al. ....	128/866
2,812,517	A *	11/1957	Bogart et al. ....	2/174
3,454,964	A *	7/1969	Brinkhoff ....	2/209
3,579,640	A *	5/1971	Beguin et al. ....	2/209
3,661,225	A *	5/1972	Anderson ....	181/175
4,302,635	A *	11/1981	Jacobsen et al. ....	381/371
4,459,707	A *	7/1984	Stallings ....	2/209
D333,137	S *	2/1993	Burke ....	D14/206
5,185,807	A *	2/1993	Bergin et al. ....	381/378
D411,200	S *	6/1999	Almqvist ....	D14/192
D463,857	S *	10/2002	Dix et al. ....	D24/106

D549,688	S *	8/2007	Suzuki .....	D14/205
D573,581	S *	7/2008	Gondo et al. ....	D14/205
D588,098	S *	3/2009	Kurihara .....	D14/205
D603,370	S *	11/2009	Suzuki .....	D14/205
D634,731	S *	3/2011	Morisawa .....	D14/205
D634,732	S *	3/2011	Kondo et al. ....	D14/205
D641,003	S *	7/2011	Alden .....	D14/205
D641,725	S *	7/2011	Chong et al. ....	D14/205
D657,346	S *	4/2012	Park .....	D14/205
D662,080	S *	6/2012	Carr et al. ....	D14/205
D662,490	S *	6/2012	McSweyn .....	D14/205
D664,116	S *	7/2012	Hutchieson .....	D14/205
D664,117	S *	7/2012	Tappeiner et al. ....	D14/205
D664,118	S *	7/2012	Tappeiner et al. ....	D14/205

\* cited by examiner

*Primary Examiner* — Paula Greene

(74) *Attorney, Agent, or Firm* — TraskBritt, P.C.

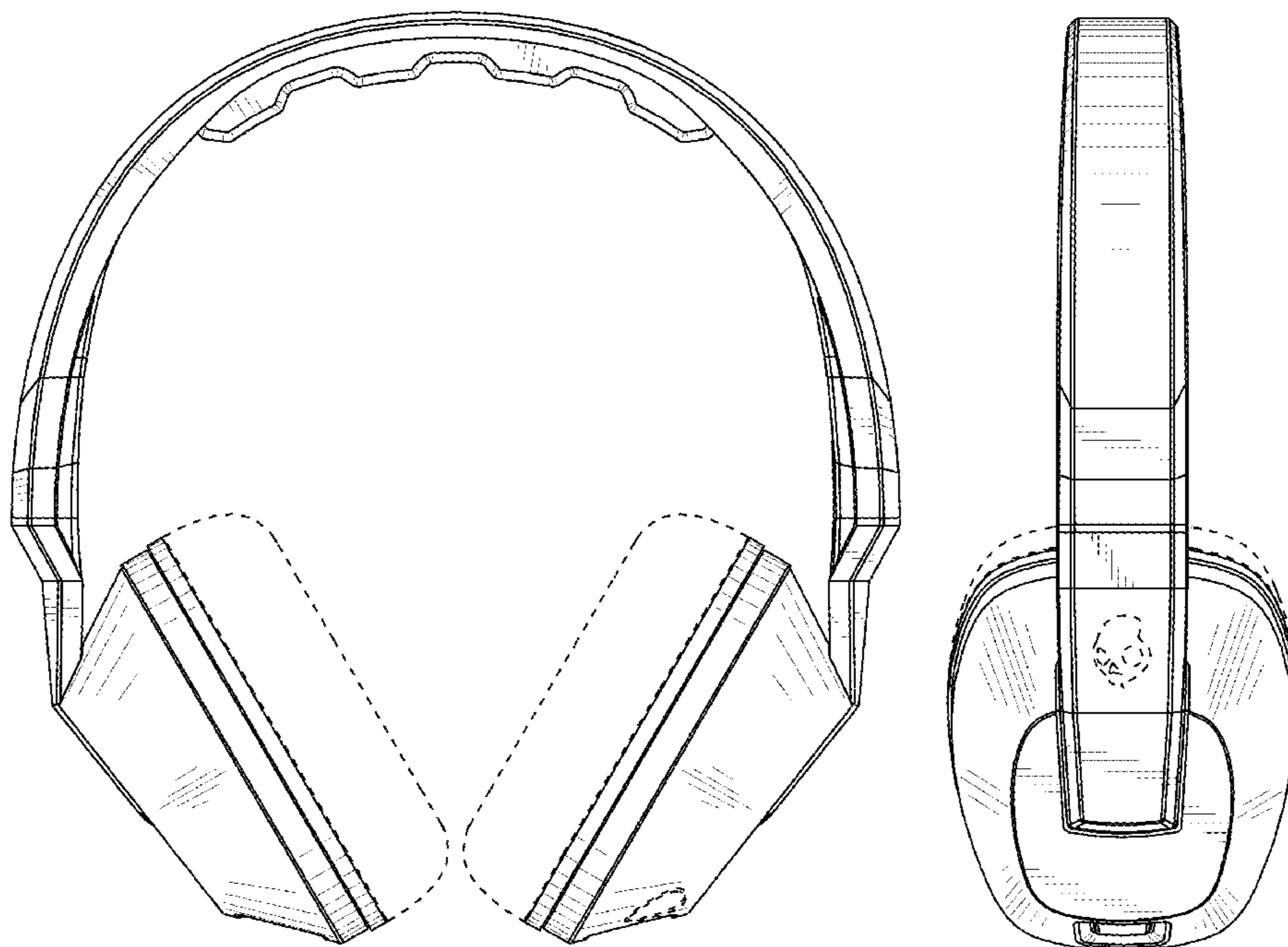
(57) **CLAIM**

The ornamental design for a headphone, as shown and described.

**DESCRIPTION**

FIG. 1 is a front view of an embodiment of a headphone; FIG. 2 is a rear view of the headphone shown in FIG. 1; FIG. 3 is a left side view of the headphone shown in FIG. 1; FIG. 4 is a right side view of the headphone shown in FIG. 1; FIG. 5 is a top view of the headphone shown in FIG. 1; FIG. 6 is a bottom view of the headphone shown in FIG. 1; and, FIG. 7 is a perspective view of the headphone shown in FIG. 1, the opposite perspective view is a mirror image. The broken lines in FIGS. 1-7 are for environmental purposes only and do not form any part of the claimed design.

**1 Claim, 6 Drawing Sheets**



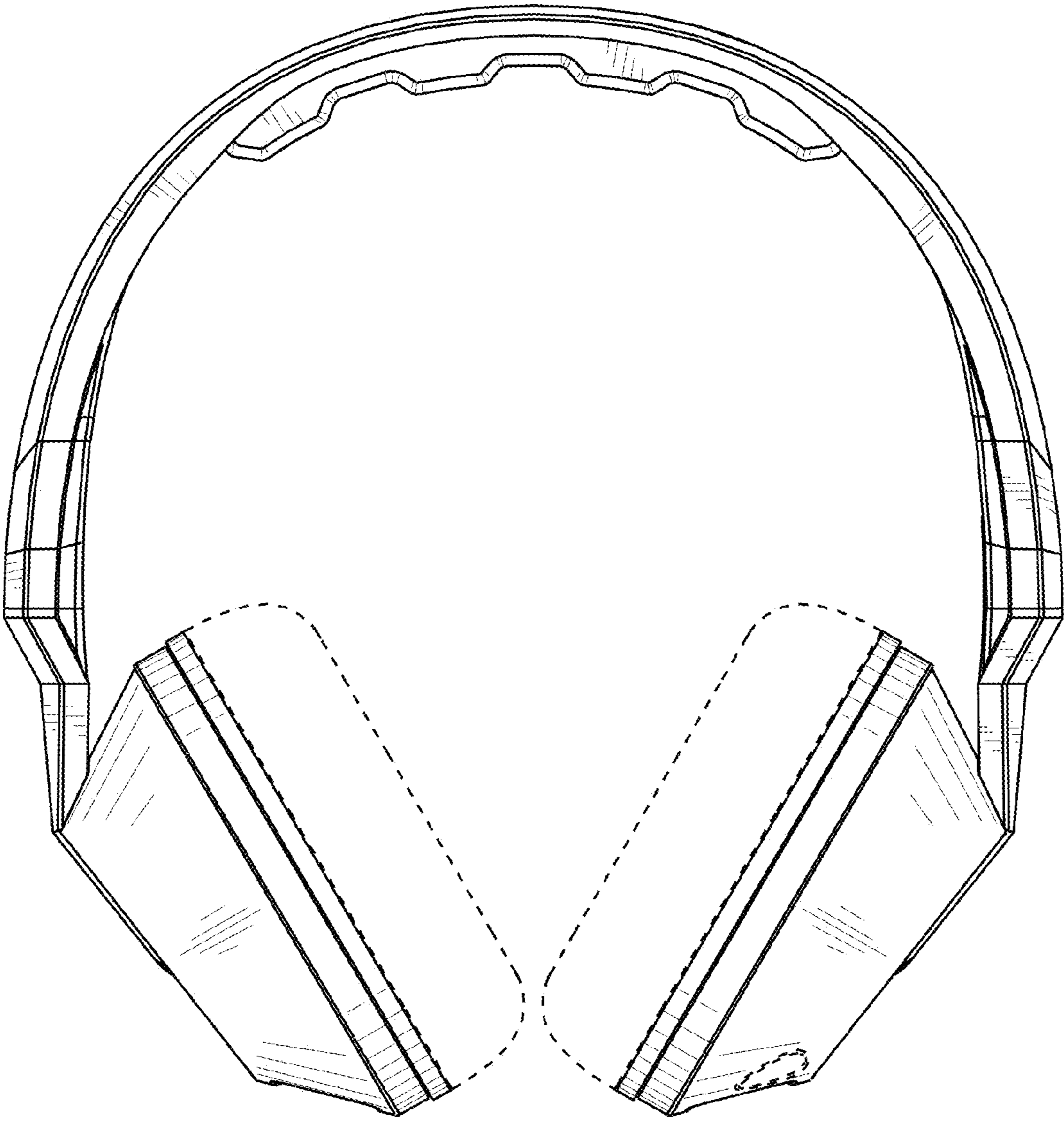
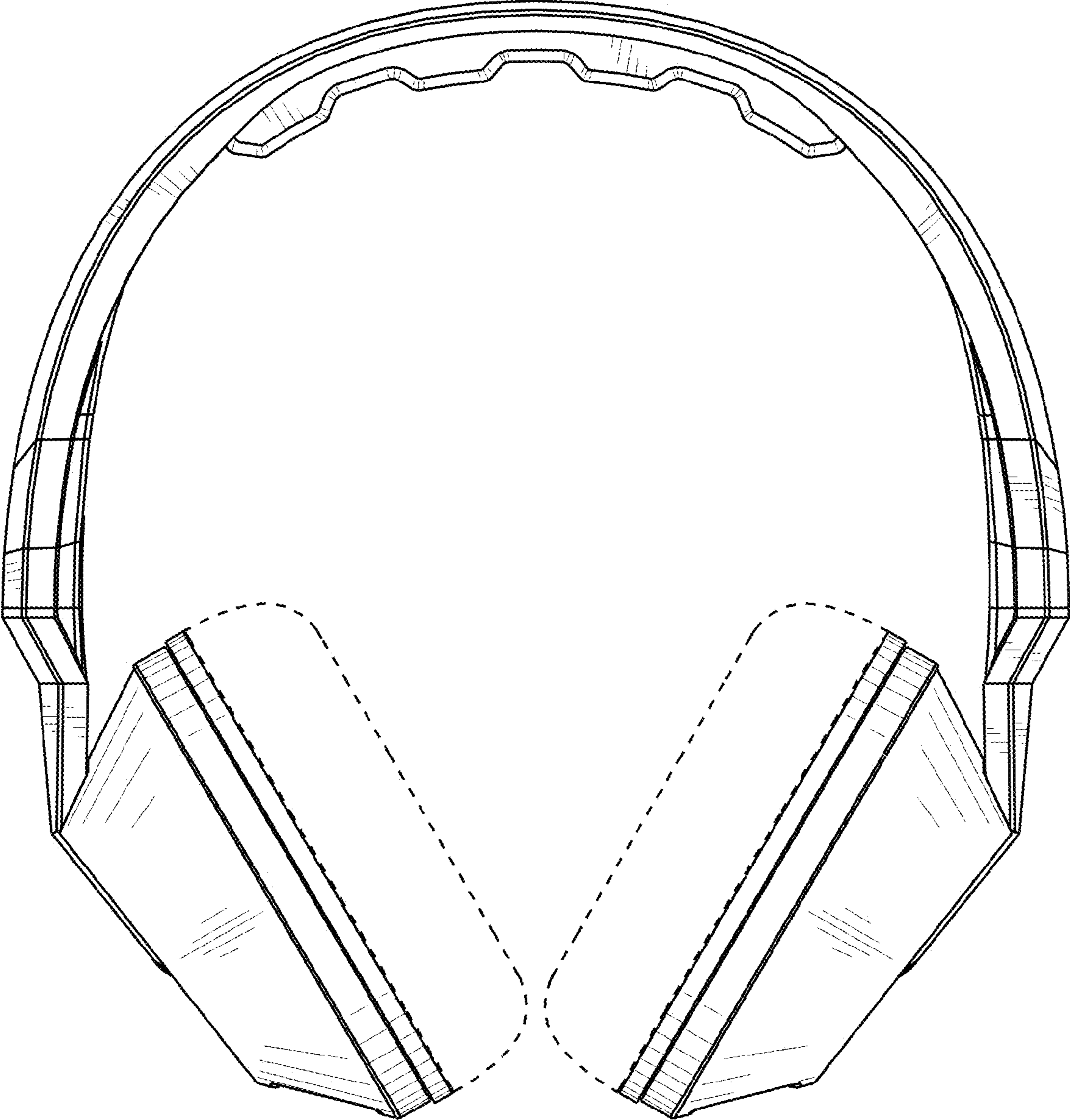
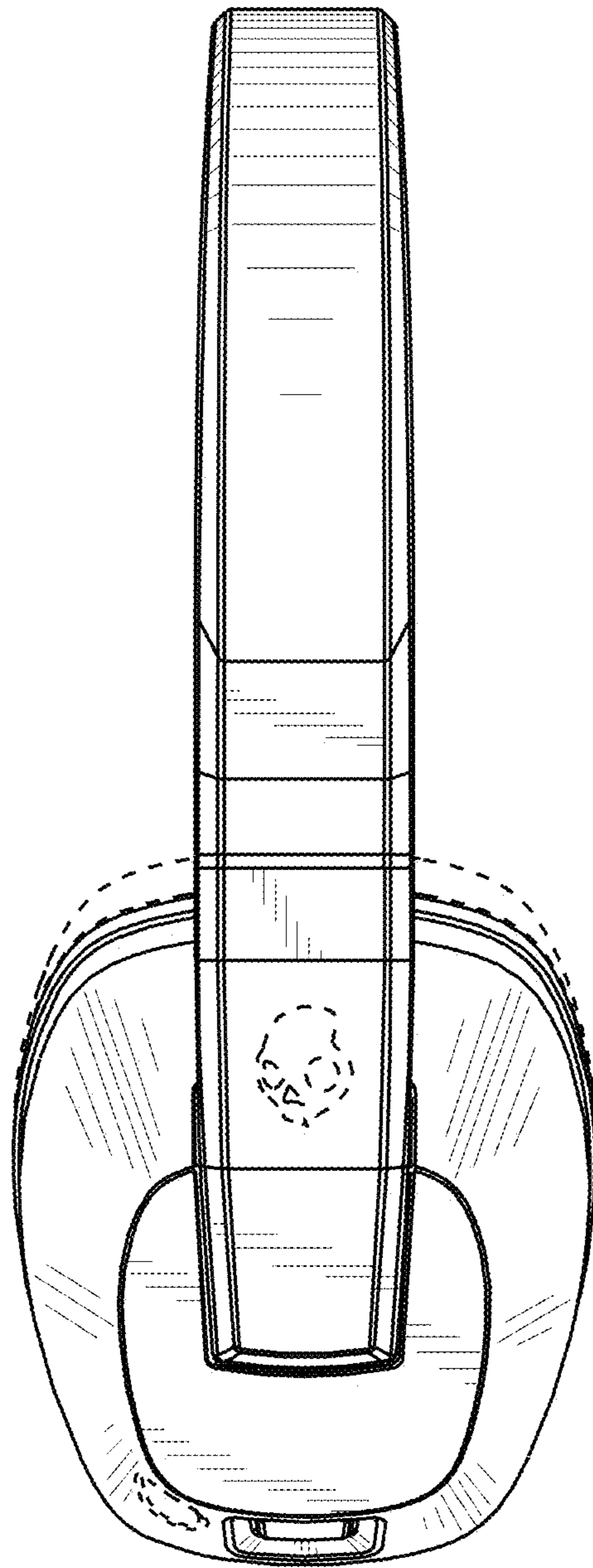


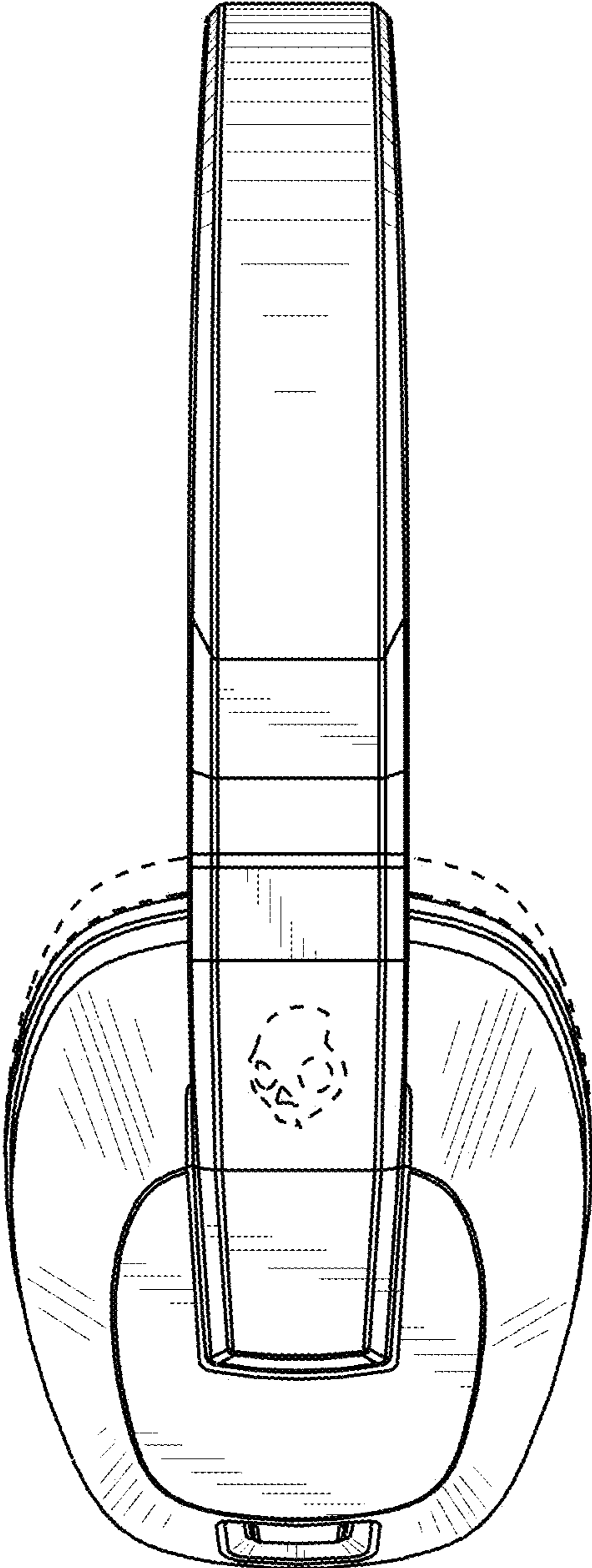
FIG. 1



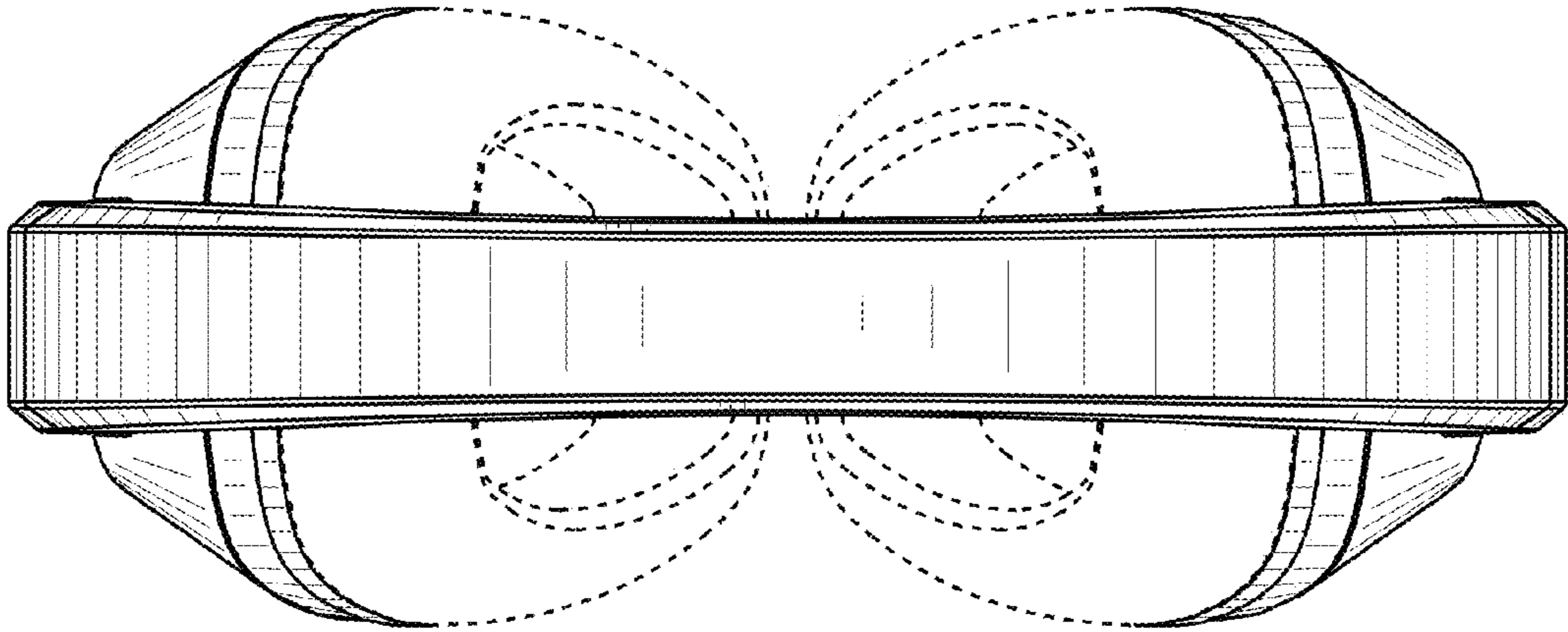
**FIG. 2**



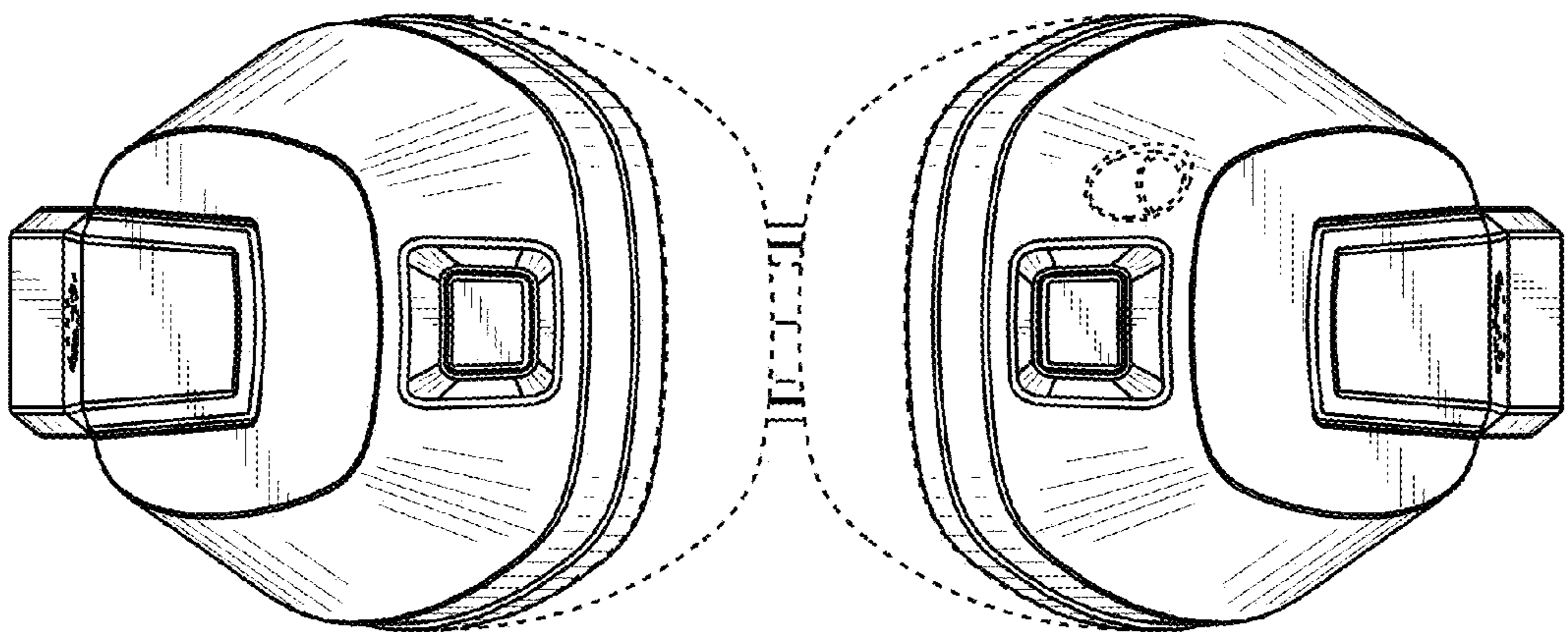
**FIG. 3**



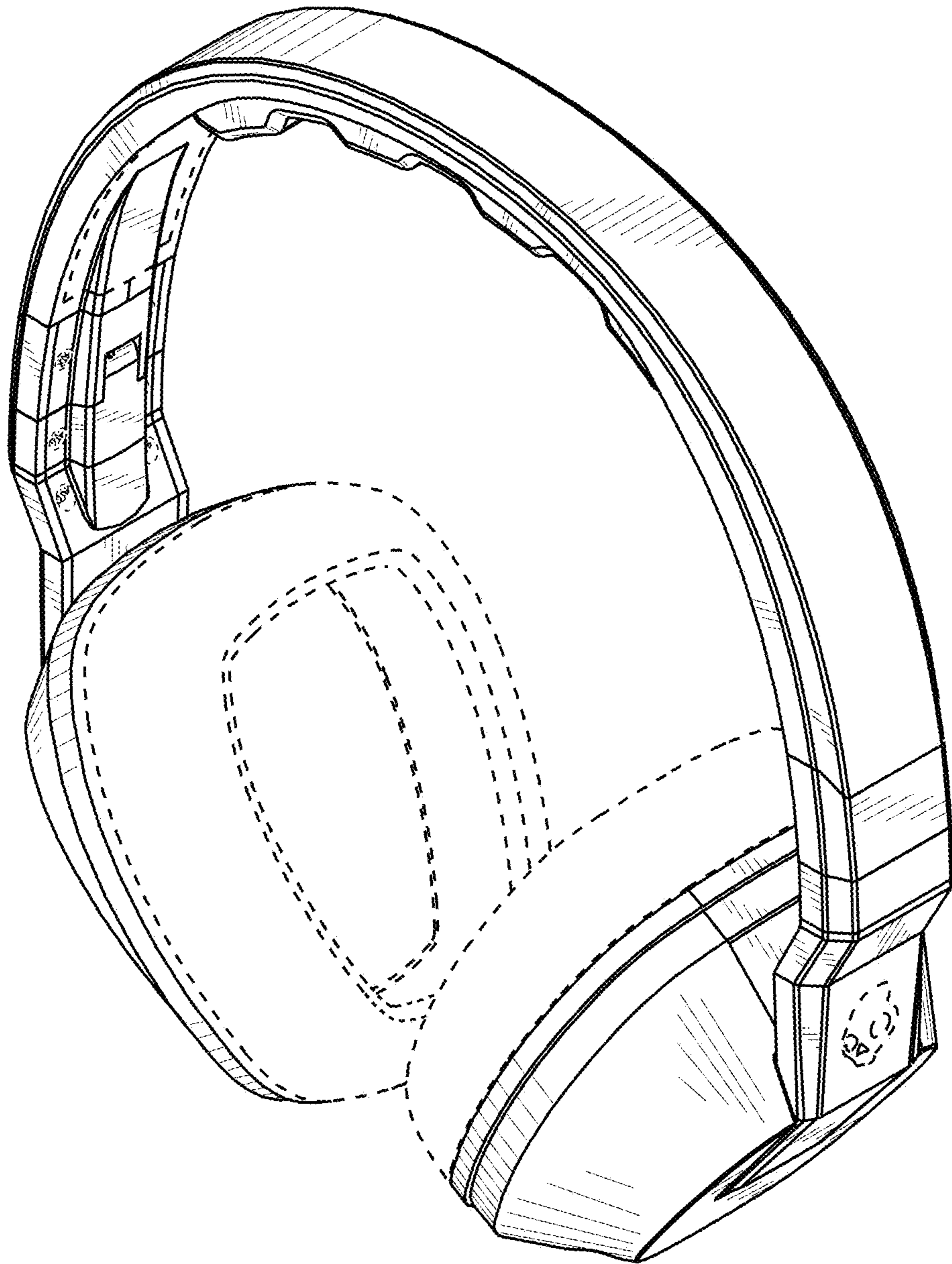
**FIG. 4**



**FIG. 5**



**FIG. 6**



**FIG. 7**