



US00D685758S

(12) **United States Design Patent**
Dangerfield

(10) **Patent No.:** **US D685,758 S**
(45) **Date of Patent:** **** Jul. 9, 2013**

(54) **PORTABLE MEDIA PLAYER**
(75) Inventor: **Nicholas E. Dangerfield**, New York, NY (US)
(73) Assignee: **Parte LLC**, New York, NY (US)
(**) Term: **14 Years**
(21) Appl. No.: **29/412,416**
(22) Filed: **Feb. 2, 2012**
(51) **LOC (9) Cl.** **14-03**
(52) **U.S. Cl.**
USPC **D14/203.6**
(58) **Field of Classification Search**
USPC D14/496, 401, 435, 474, 483, 217, D14/137, 138, 160, 168, 356, 203.1–203.8, D14/507; 345/156, 169, 173–179, 905; 715/727–729, 864; 710/1, 5, 8; 713/1, 600; 455/1.1, 1.7, 73, 344–347, 93, 95, 3.01–3.06, 455/550.1, 573.1; 370/342–344; 369/1, 2, 369/6–12; 463/43–47; 273/148 B
See application file for complete search history.

D544,881 S * 6/2007 Yang et al. D14/496
7,255,646 B2 * 8/2007 Silverbrook et al. 463/30
D554,614 S * 11/2007 Lin D14/509
D567,818 S * 4/2008 Zhang D14/496
D582,394 S 12/2008 Hong et al.
D595,734 S 7/2009 Son
D605,204 S 12/2009 Liu
D608,762 S 1/2010 Sheng
D609,718 S 2/2010 Chang et al.
D612,361 S 3/2010 Wright
D612,865 S 3/2010 Zhang
D626,147 S 10/2010 Goddard
D634,754 S 3/2011 Hao

* cited by examiner

Primary Examiner — Prabhakar Deshmukh
(74) *Attorney, Agent, or Firm* — Leason Ellis LLP

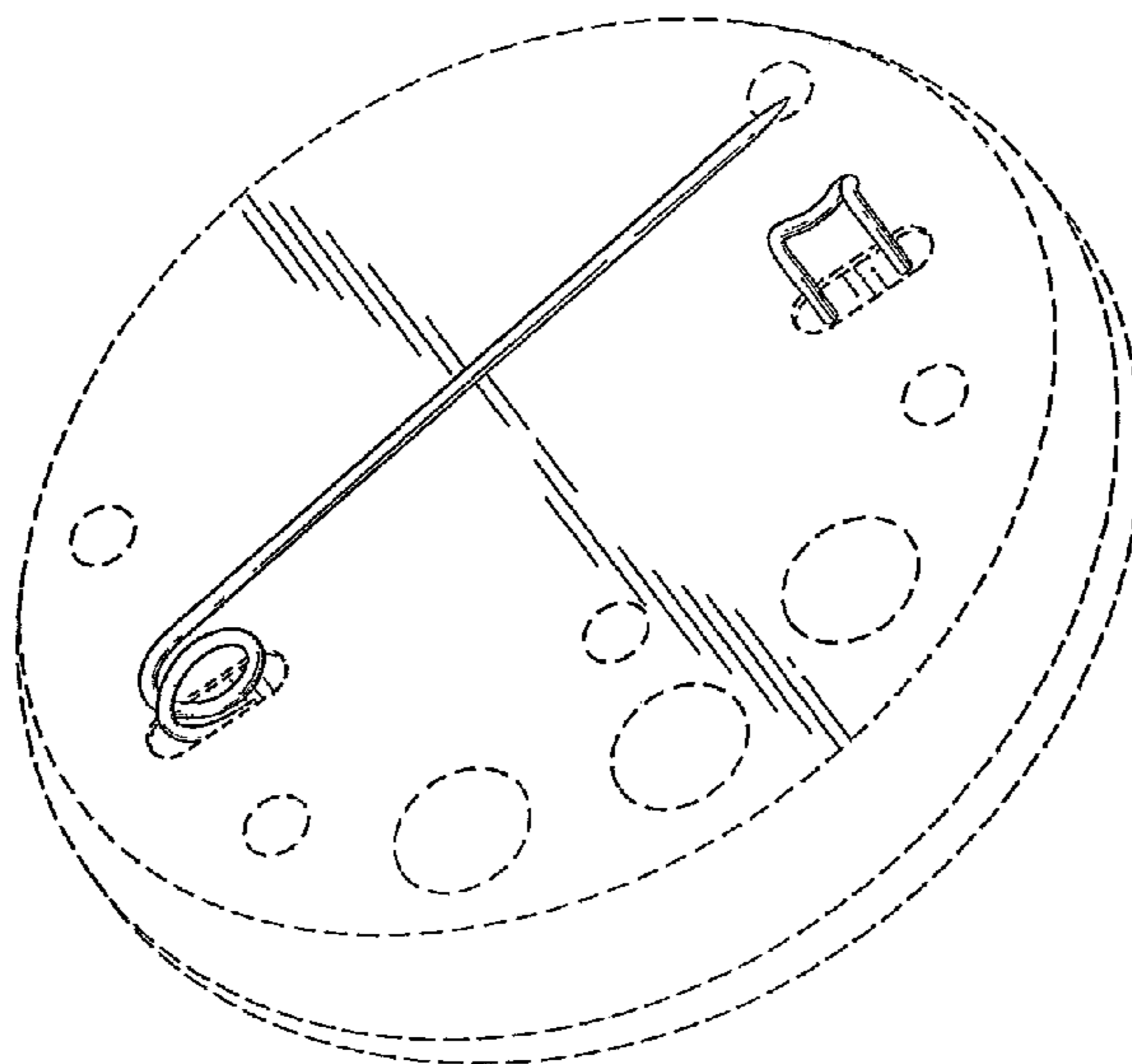
(57) **CLAIM**
The ornamental design for a portable media player, as shown and described.

DESCRIPTION

FIG. 1 is a bottom and side perspective view of a portable media player showing my new design with the pin in an open position;
FIG. 2 is a bottom plan view thereof;
FIG. 3 is a top plan view thereof;
FIG. 4 is a right side elevation view thereof;
FIG. 5 is a left side elevation view thereof;
FIG. 6 is a rear elevation view thereof;
FIG. 7 is a front elevation view thereof; and,
FIG. 8 is a bottom plan view thereof with the pin in the closed position.
The broken line showing of control buttons and fastening members along with front surface indicia and a side wall construction is for illustrative purposes only and forms no part of the claimed design.

1 Claim, 5 Drawing Sheets

(56) **References Cited**
U.S. PATENT DOCUMENTS
6,227,966 B1 5/2001 Yokoi
D467,892 S * 12/2002 Lewis D14/203.6
6,522,613 B1 * 2/2003 Frankeny et al. 720/655
D511,337 S * 11/2005 Kim D14/509
D514,337 S * 2/2006 Harum D6/361
D516,082 S * 2/2006 Lewis D14/203.6
7,018,294 B2 3/2006 Silverbrook et al.
D521,022 S * 5/2006 Chen D14/203.6
7,104,884 B2 9/2006 Yokoi
D531,159 S * 10/2006 Park D14/203.3
D539,304 S * 3/2007 Lee D14/203.6
7,209,648 B2 * 4/2007 Barber et al. 386/243



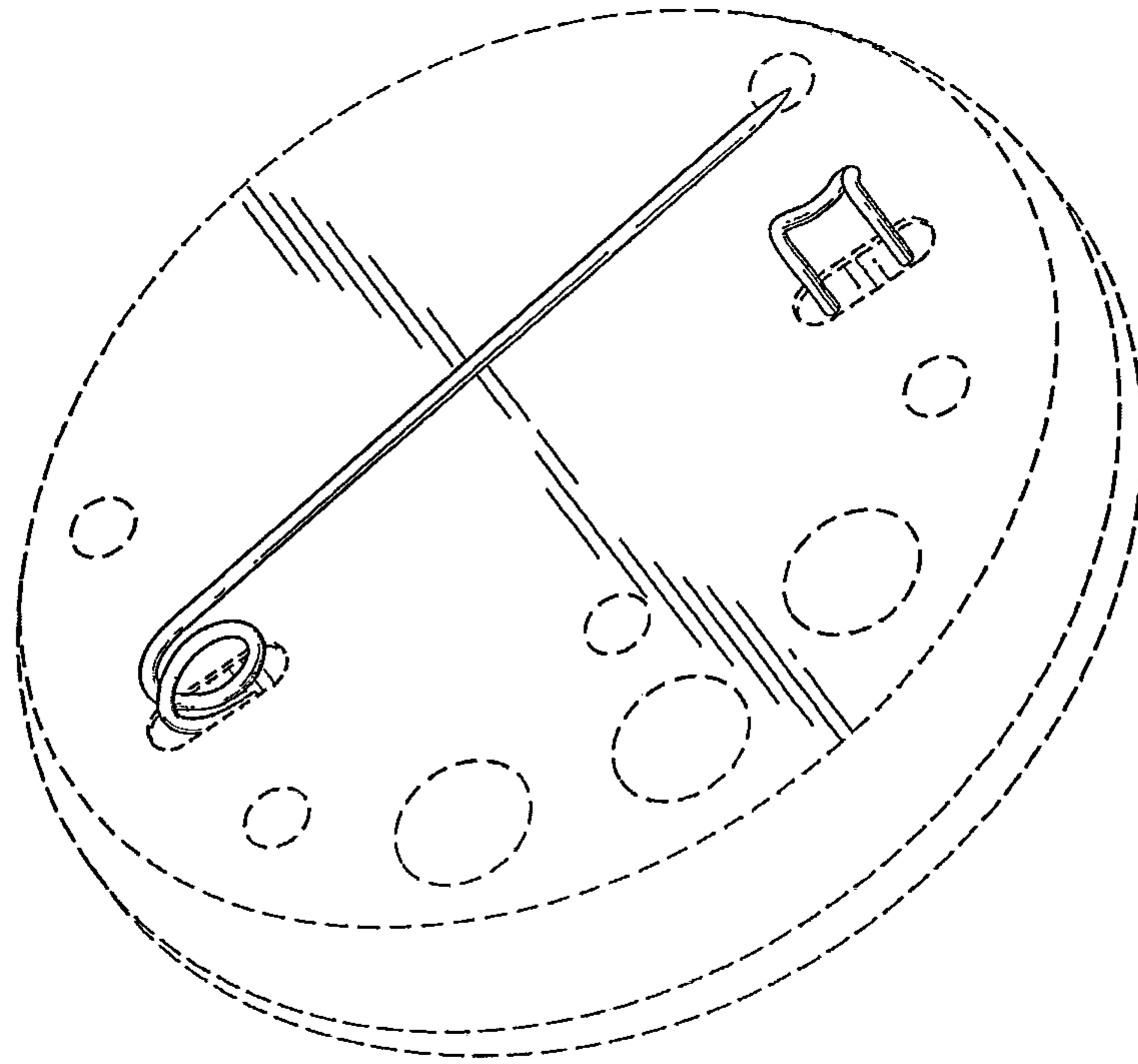


Fig. 1

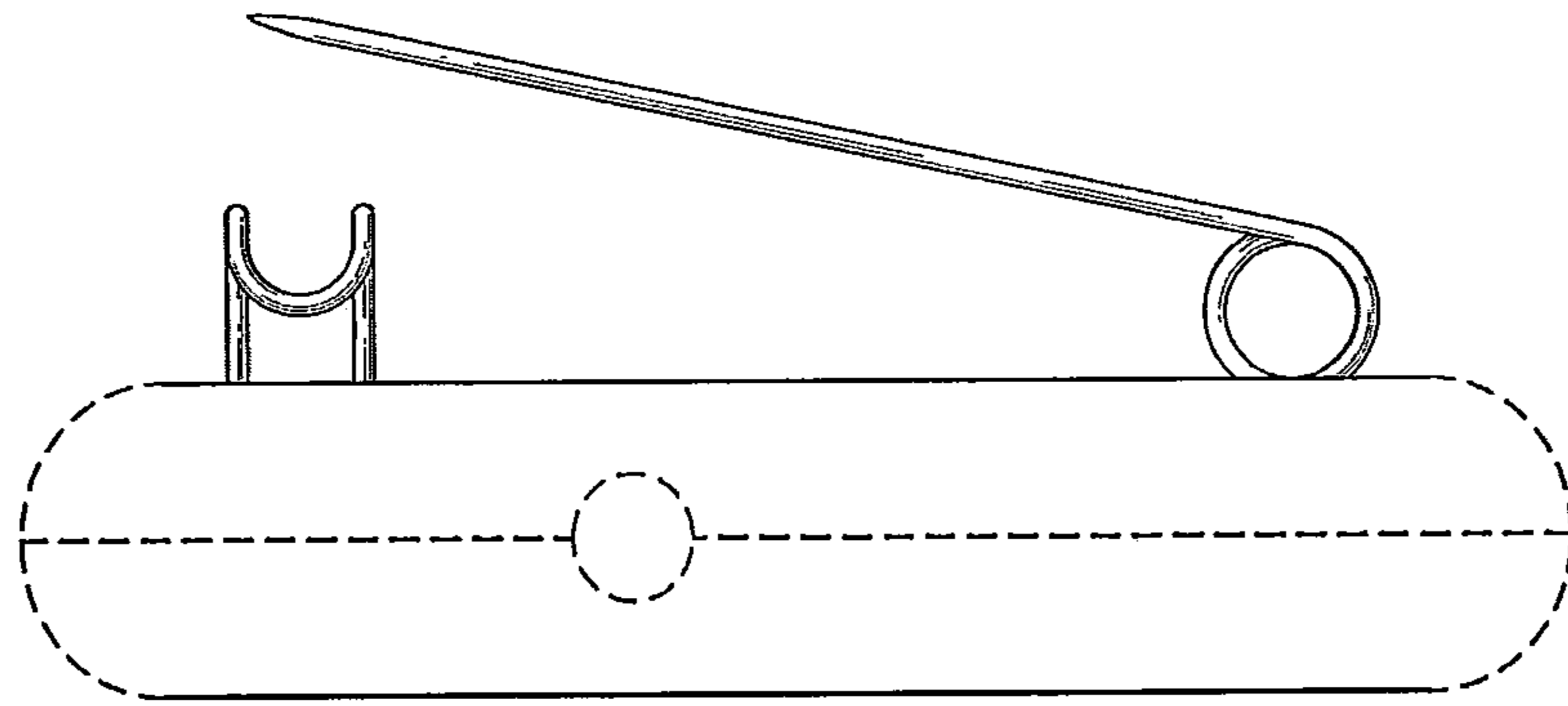


Fig. 2

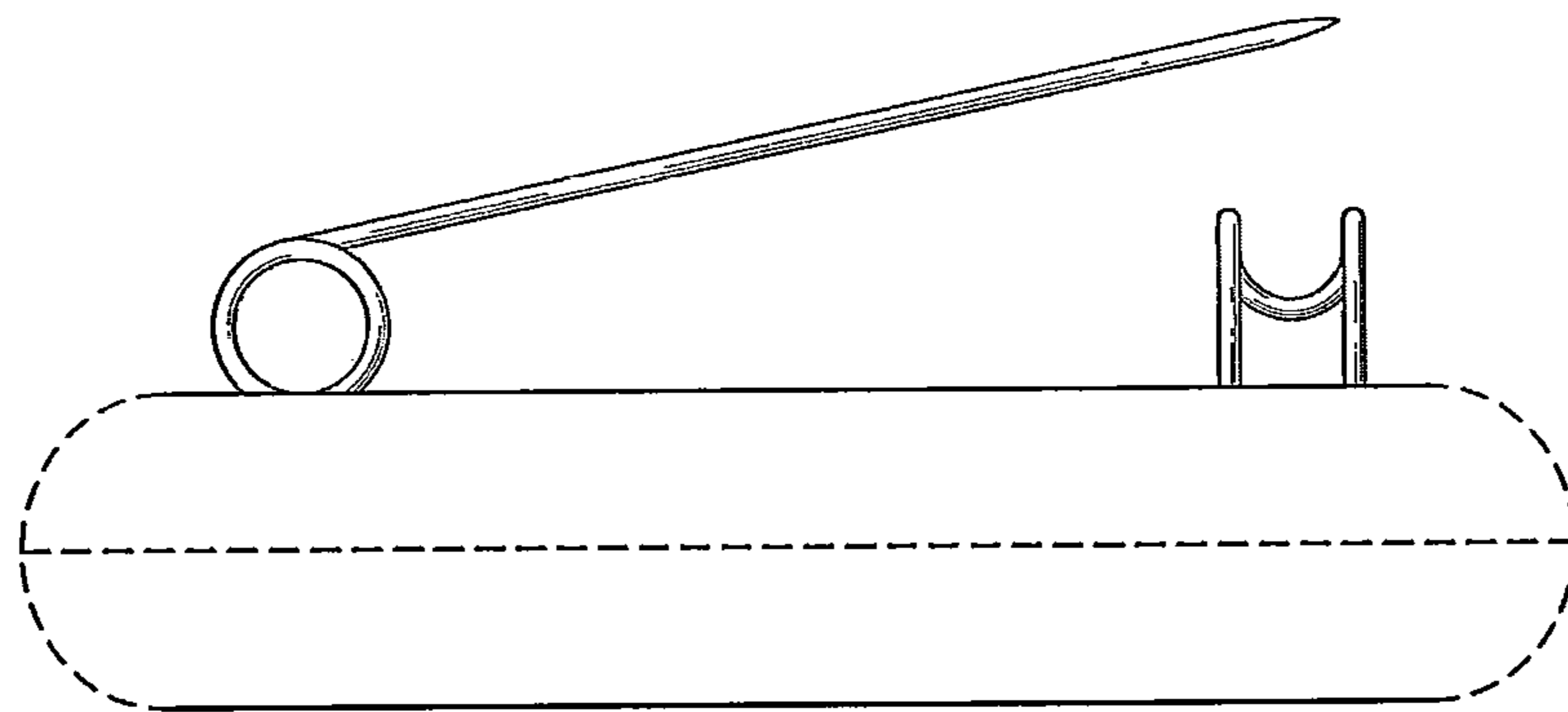


Fig. 3

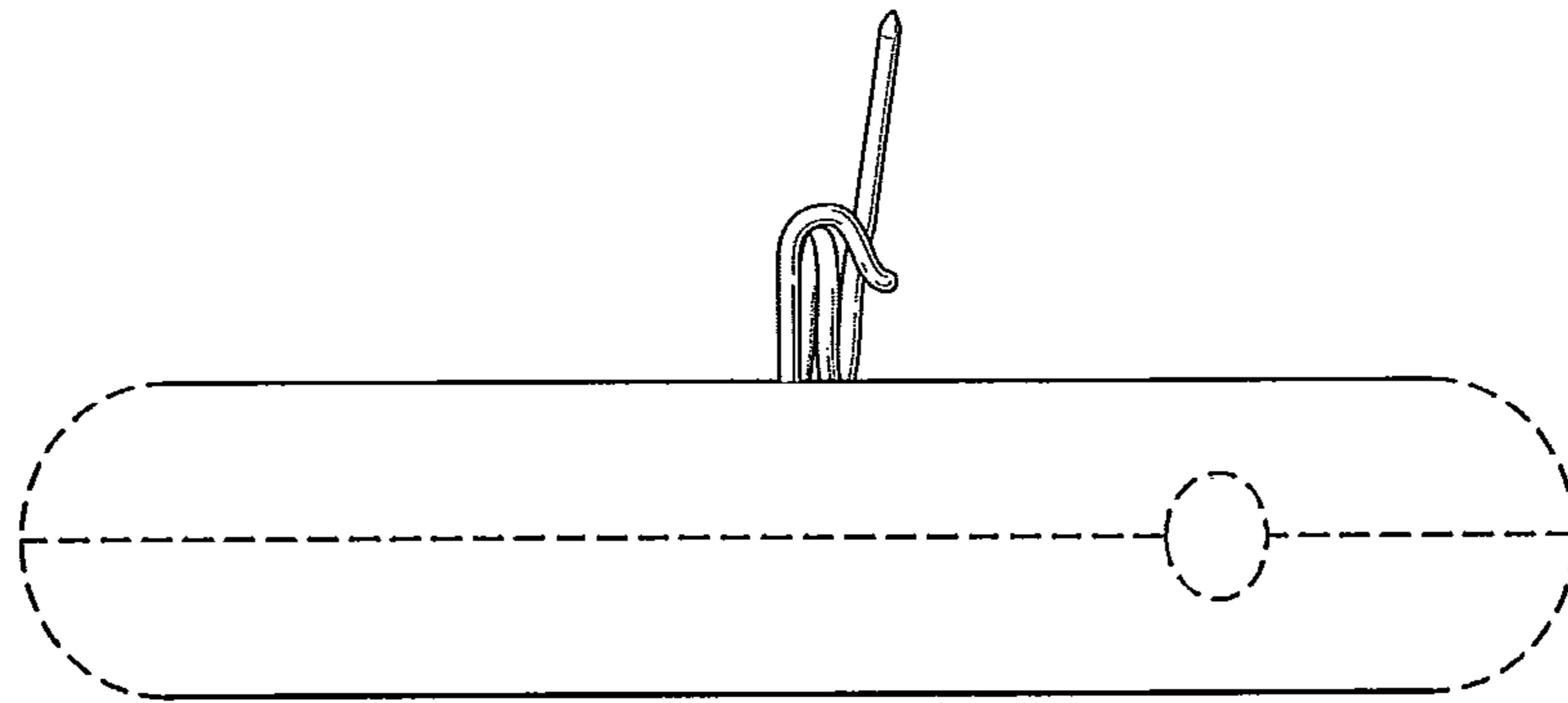


Fig. 4

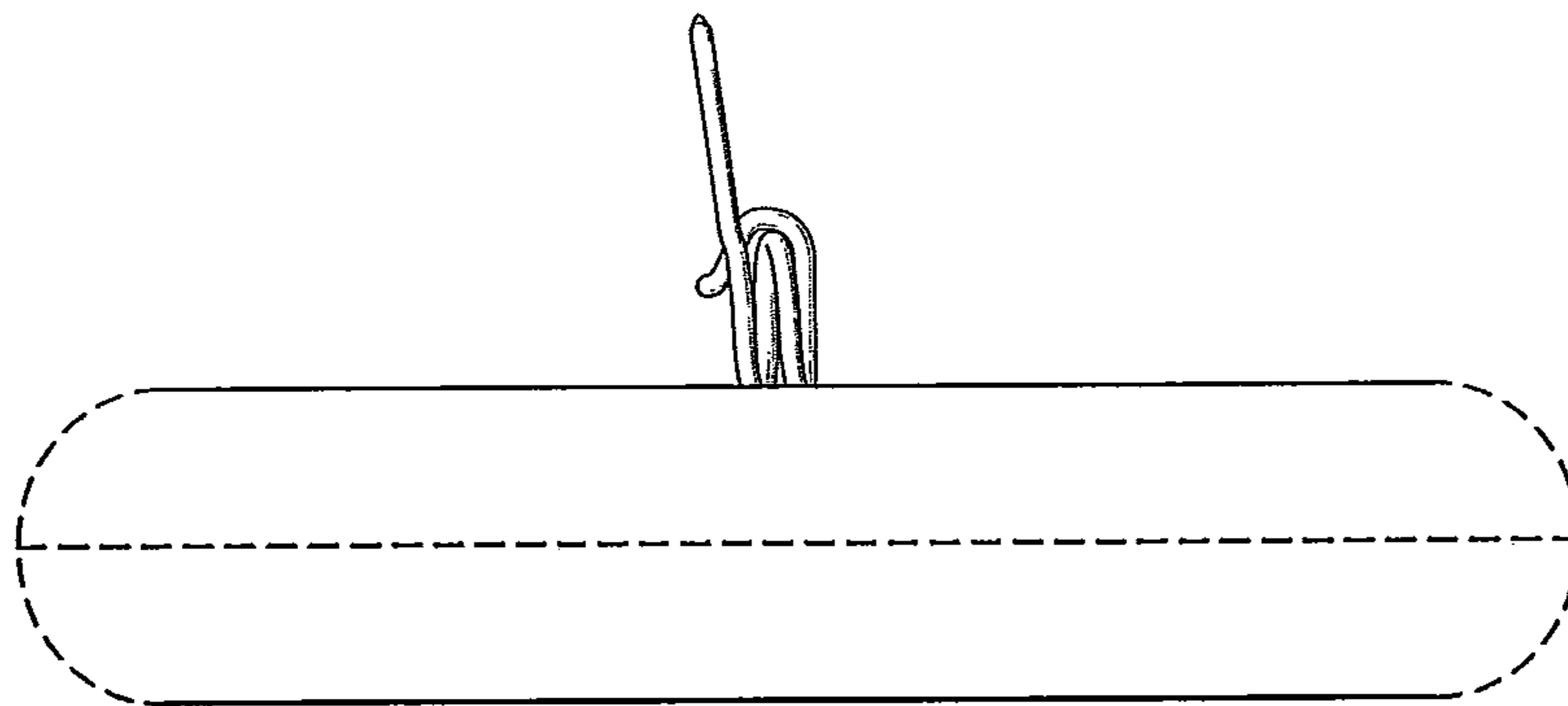


Fig. 5

Fig. 6

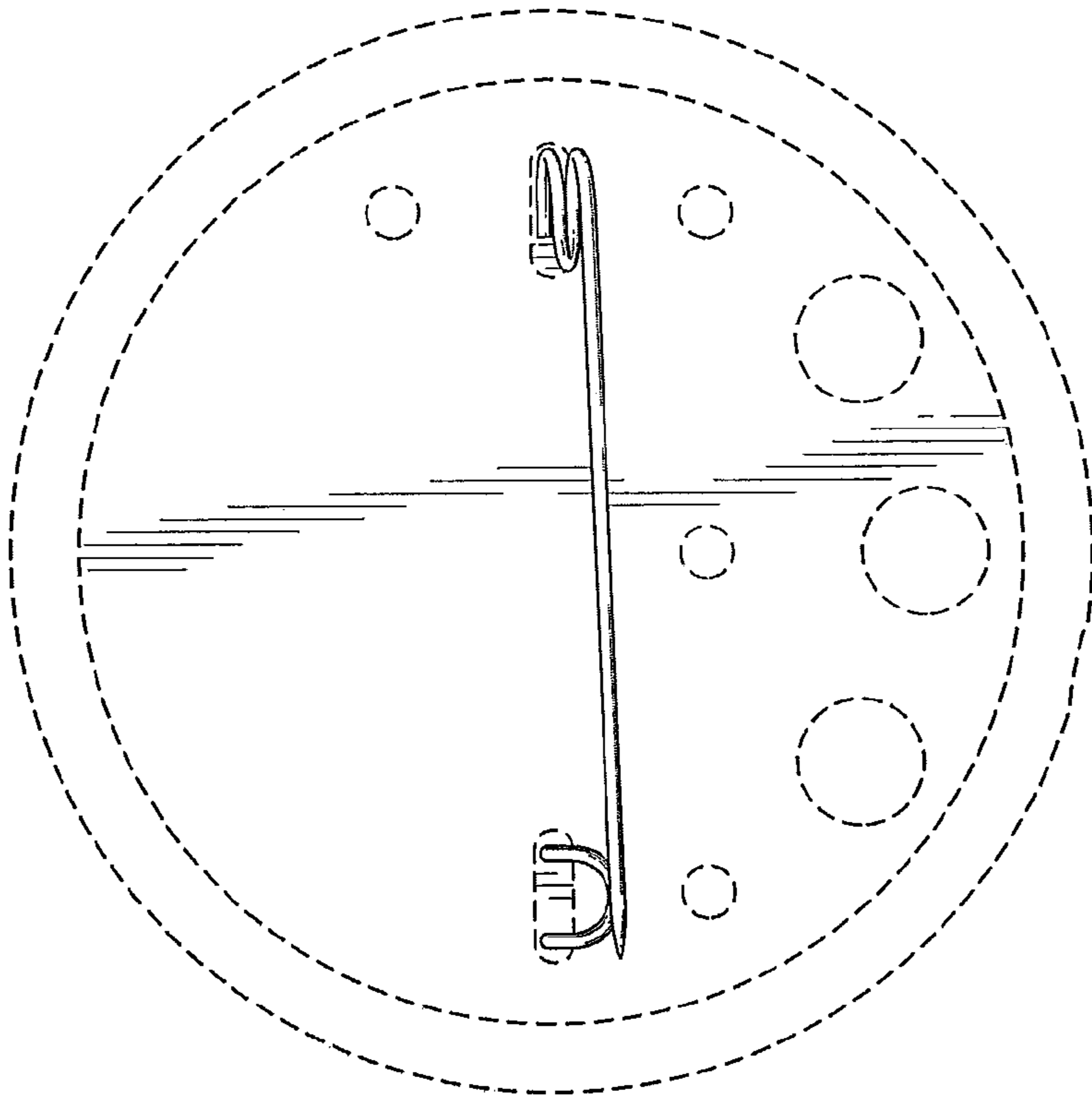
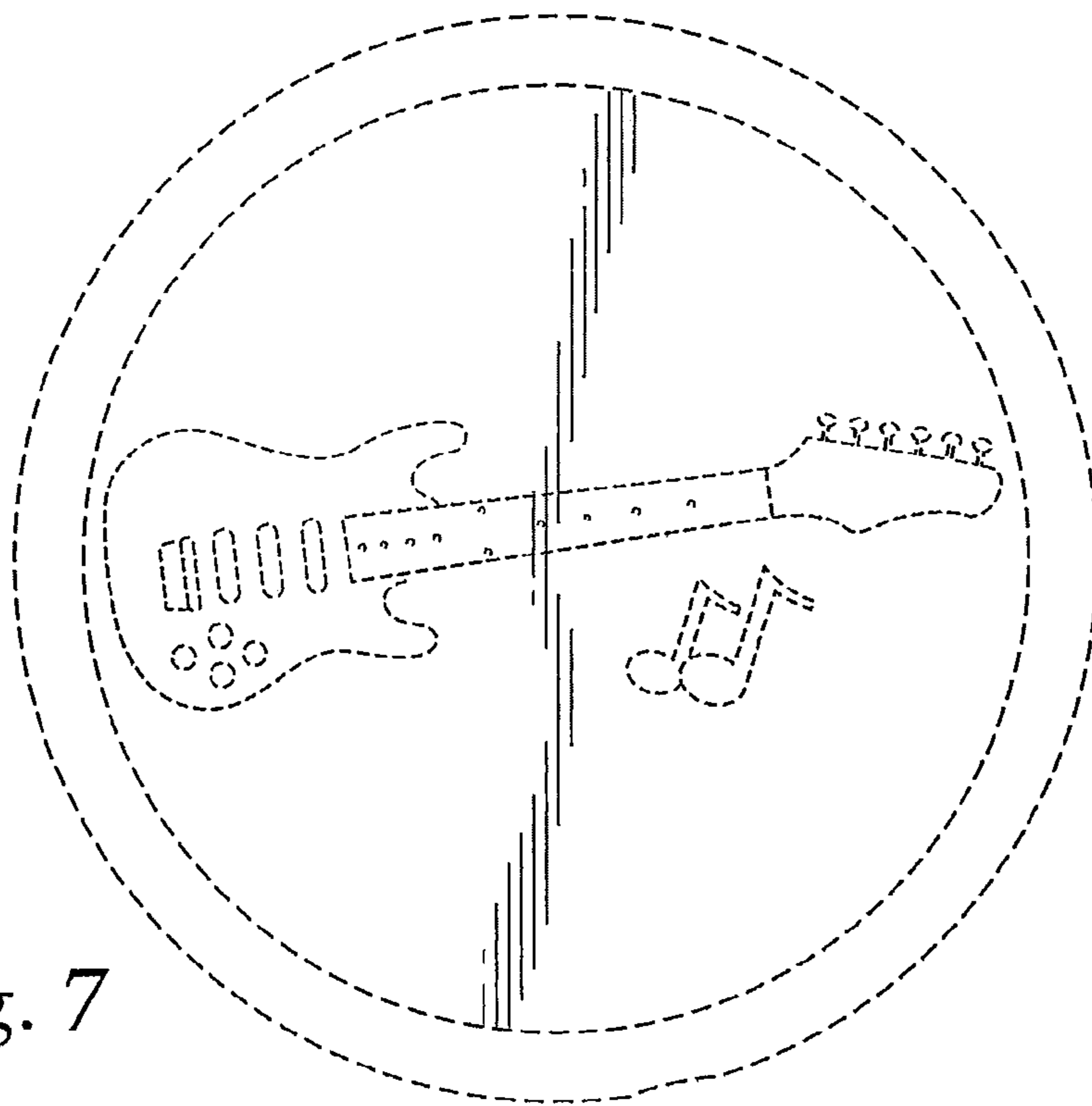


Fig. 7



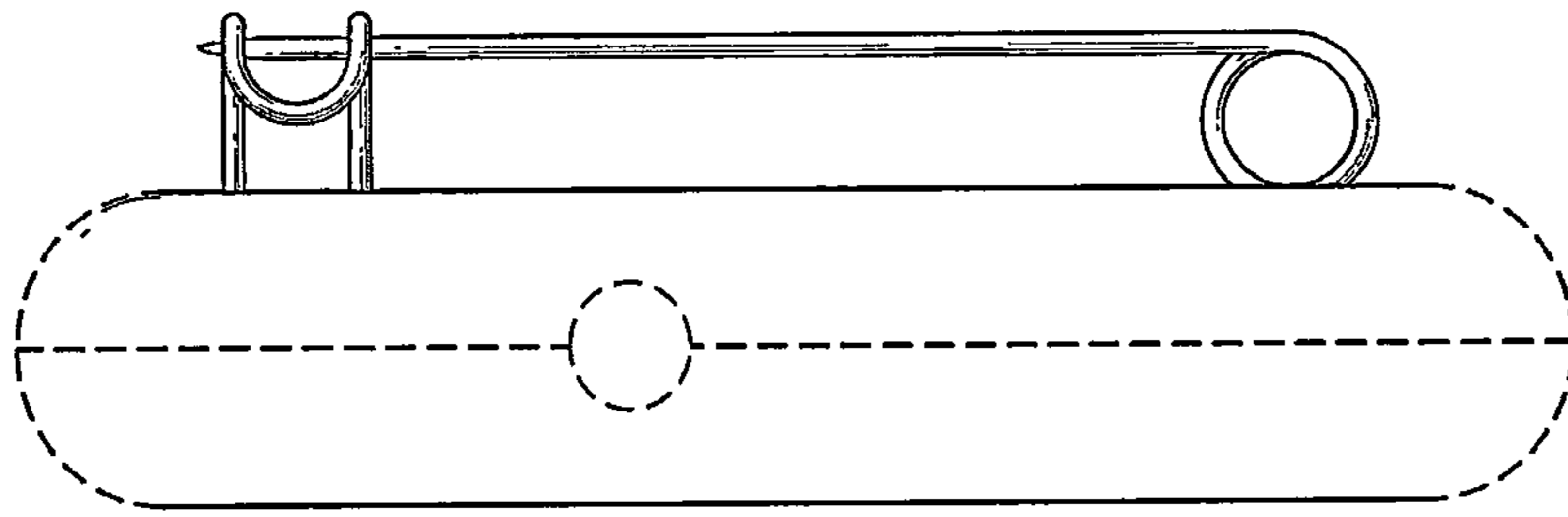


Fig. 8