



US00D685757S

(12) **United States Design Patent**
Liu

(10) **Patent No.:** **US D685,757 S**
(45) **Date of Patent:** **** Jul. 9, 2013**

(54) **TRANSMITTER**

(71) Applicant: **Shenzhen Aetertek Technology Co., Ltd.**, Shenzhen, Guangdong (CN)

(72) Inventor: **Yunbing Liu**, Shenzhen (CN)

(73) Assignee: **Shenzhen Aetertek Technology Co., Ltd.**, Shenzhen (CN)

(**) Term: **14 Years**

(21) Appl. No.: **29/444,626**

(22) Filed: **Feb. 1, 2013**

(51) **LOC (9) Cl.** **14-03**

(52) **U.S. Cl.**
USPC **D14/155**

(58) **Field of Classification Search**
USPC D14/167, 154, 168, 188, 496, 156,
D14/160, 161, 162, 163, 164, 165, 158, 341,
D14/346, 342, 345, 137, 155, 218, 225;
D16/208; D26/38; 455/351, 350; D10/104.1,
D10/106, 65
See application file for complete search history.

(56) **References Cited**

U.S. PATENT DOCUMENTS

D243,861 S *	3/1977	Akazawa	D14/137
D281,602 S *	12/1985	Liautaud et al.	D14/137
D340,927 S *	11/1993	Goatman	D14/137
D390,233 S *	2/1998	Zeitman	D14/194
D395,433 S *	6/1998	Kee	D14/192
D404,034 S *	1/1999	Bhavnani	D14/194

D406,584 S *	3/1999	Nagai	D14/137
D430,052 S *	8/2000	Nowak	D10/104.1
D436,350 S *	1/2001	Cowan et al.	D14/188
D441,743 S *	5/2001	Uehara	D14/240
D451,896 S *	12/2001	Kim	D14/137
D462,916 S *	9/2002	Fleetwood et al.	D10/104.1
D487,026 S *	2/2004	Fleetwood et al.	D10/104.1
D496,346 S *	9/2004	Fuss et al.	D14/188
D496,347 S *	9/2004	Choi et al.	D14/191
D508,215 S *	8/2005	Grygo	D10/78
D535,973 S *	1/2007	Goetzl et al.	D14/155
D540,774 S *	4/2007	Alwicker et al.	D14/155
D541,253 S *	4/2007	Thoeny	D14/155
D587,708 S *	3/2009	Yoshida et al.	D14/358
D589,490 S *	3/2009	Thusbass	D14/155
D595,684 S *	7/2009	Ganley et al.	D14/155

* cited by examiner

Primary Examiner — Austin Murphy

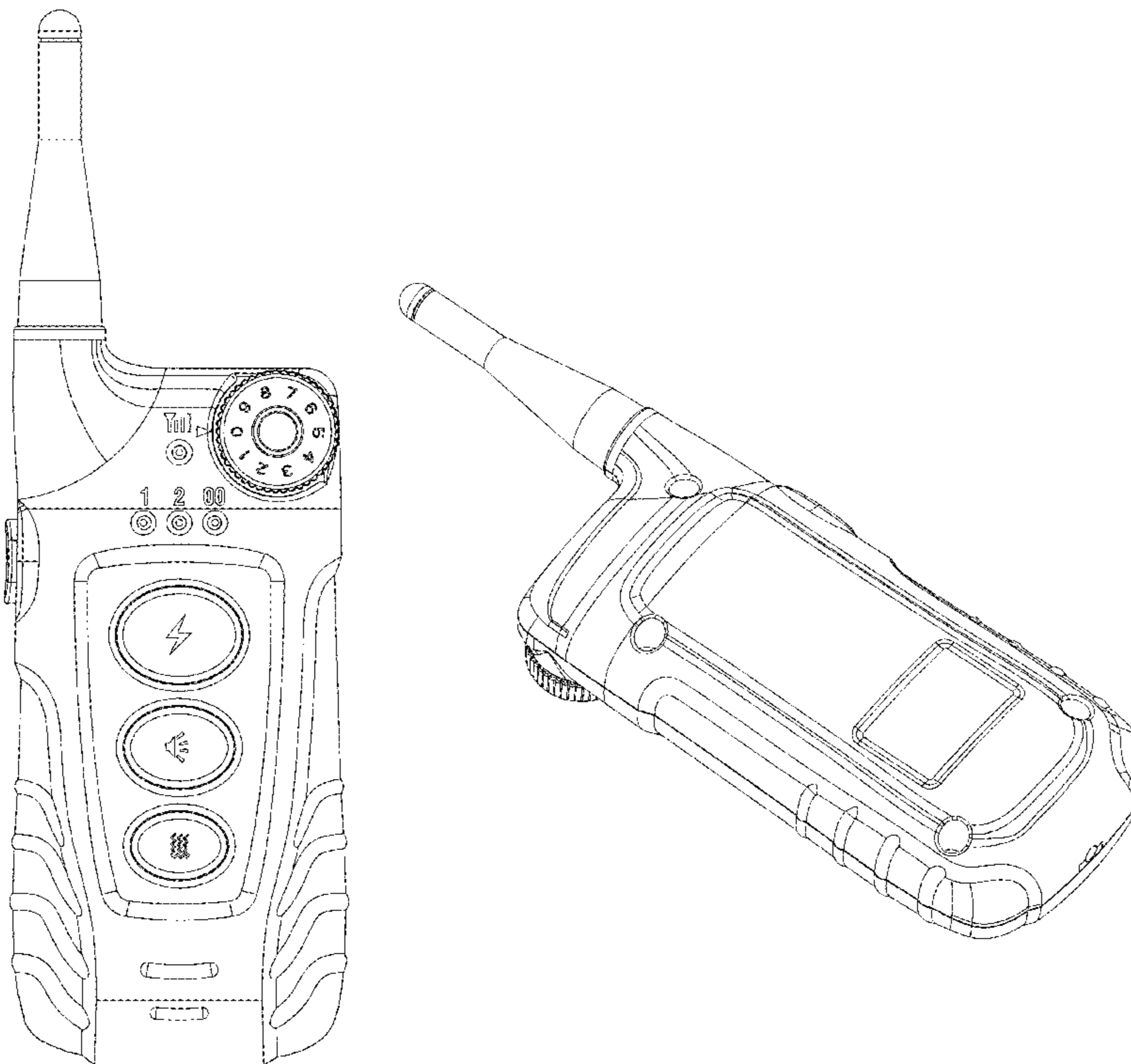
(57) **CLAIM**

The ornamental design for a transmitter, as shown and described.

DESCRIPTION

FIG. 1 is a front view of a transmitter of my new design; FIG. 2 is a back view of the transmitter of FIG. 1; FIG. 3 is a left side view of the transmitter of FIG. 1; FIG. 4 is a right side view of the transmitter of FIG. 1; FIG. 5 is a top view of the transmitter of FIG. 1; FIG. 6 is a bottom view of the transmitter of FIG. 1; FIG. 7 is a front perspective view of the transmitter of FIG. 1; and, FIG. 8 is a back perspective view of the transmitter of FIG. 1.

1 Claim, 7 Drawing Sheets



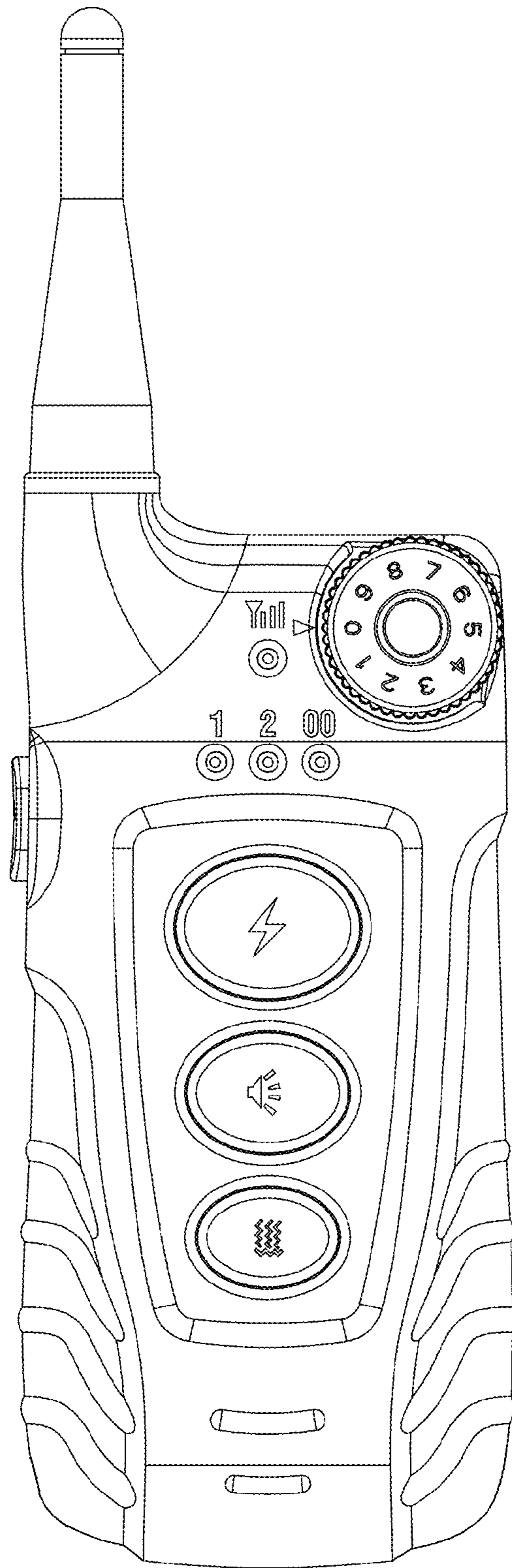


Fig. 1

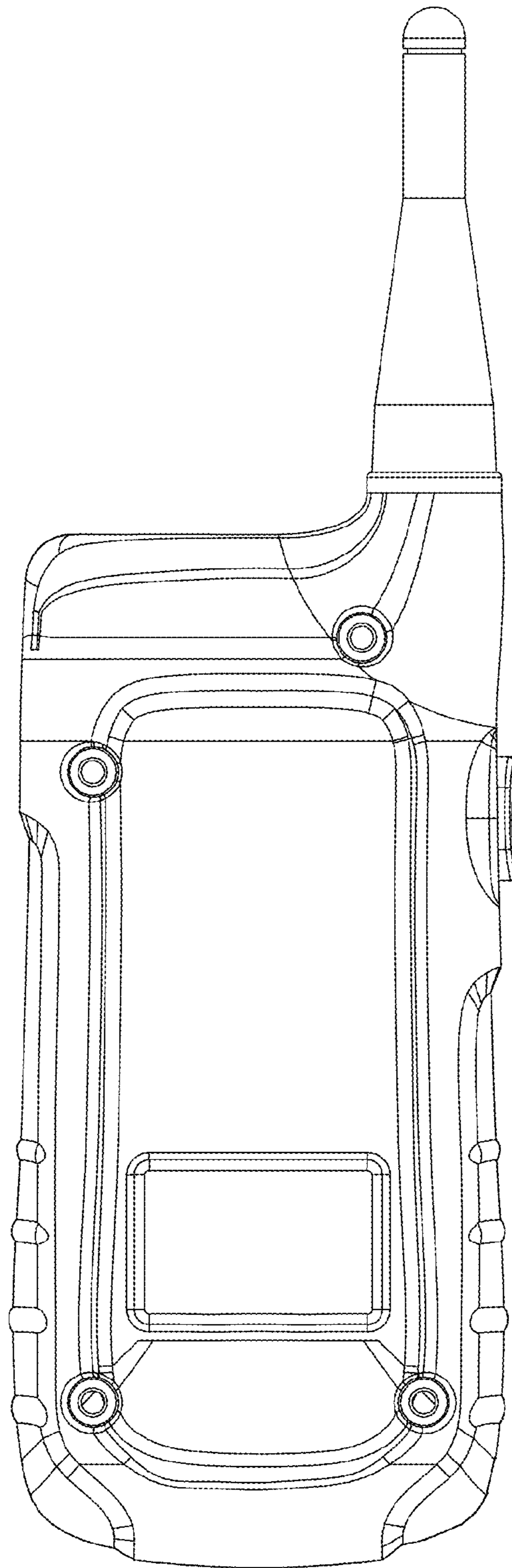


Fig. 2

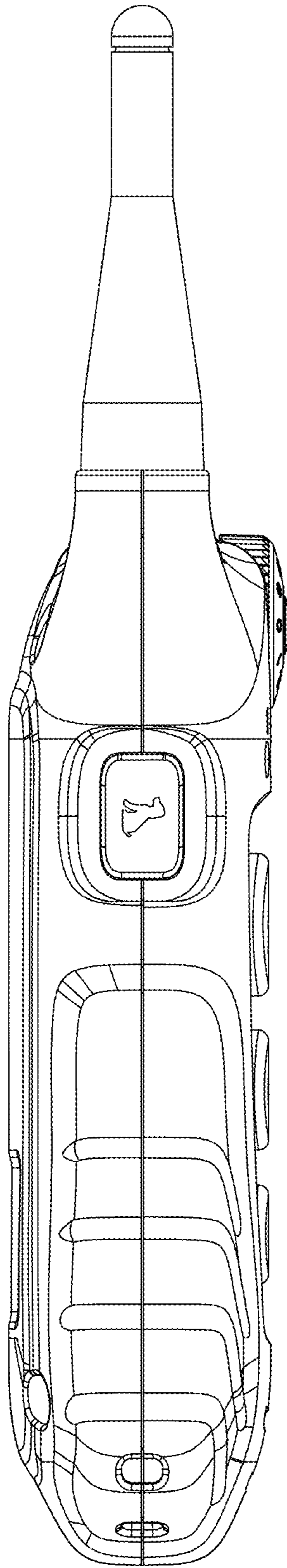


Fig. 3

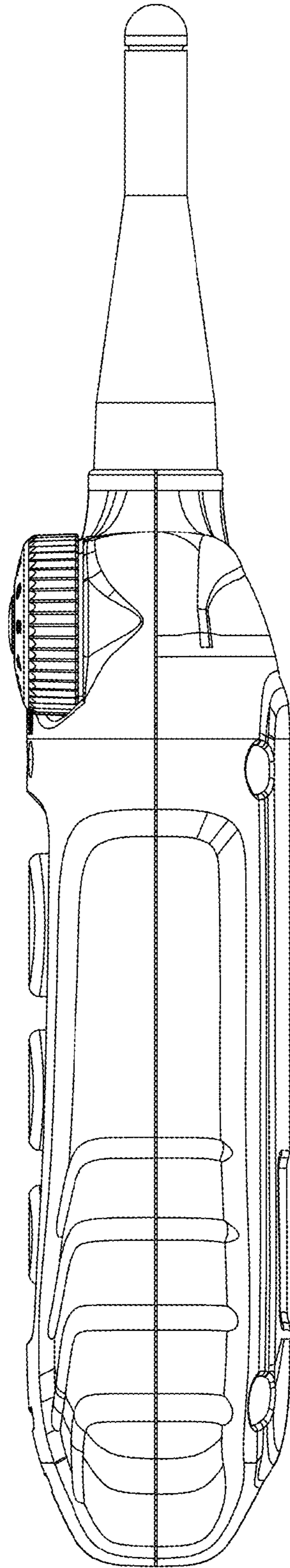


Fig. 4

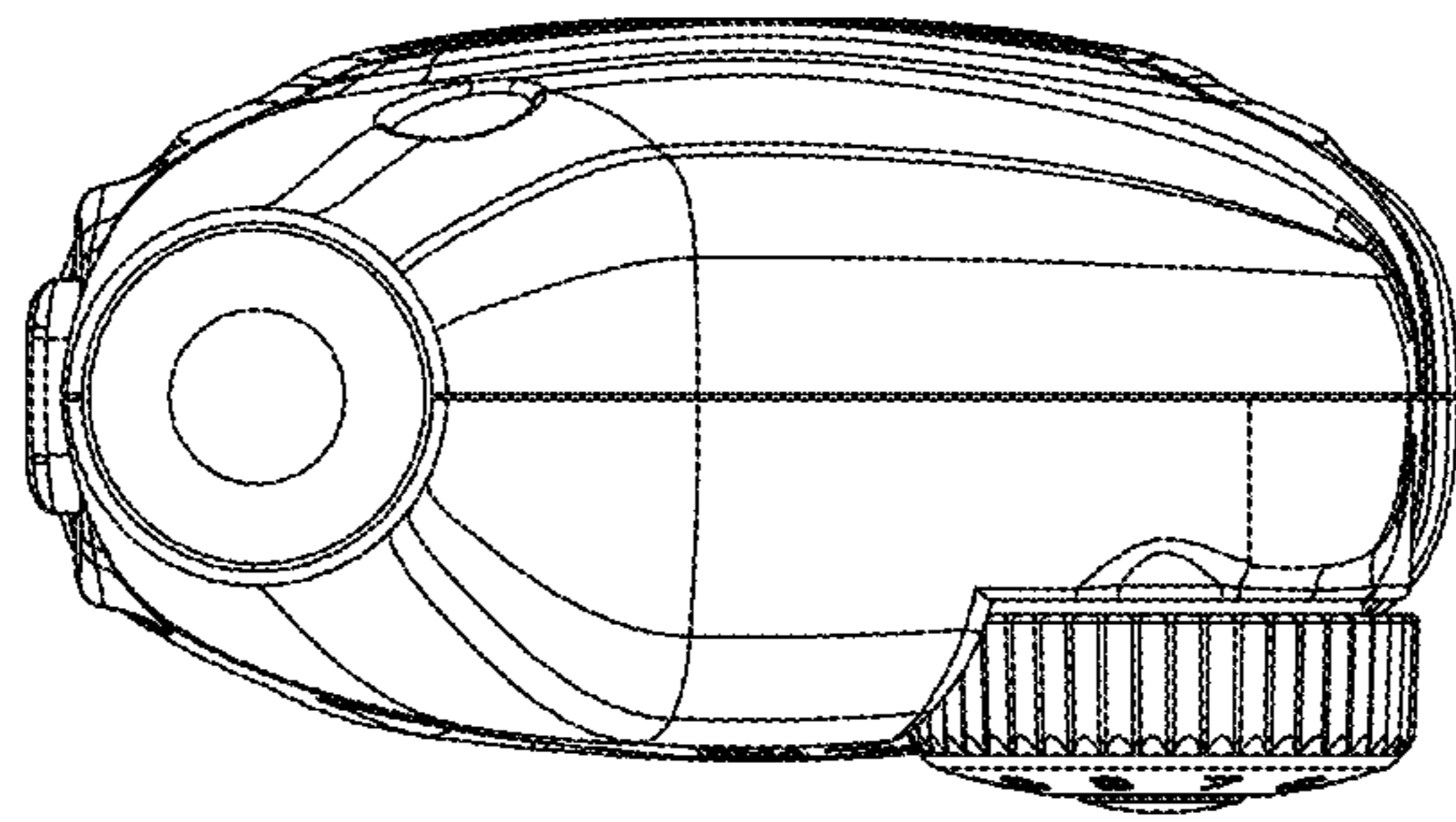


Fig. 5

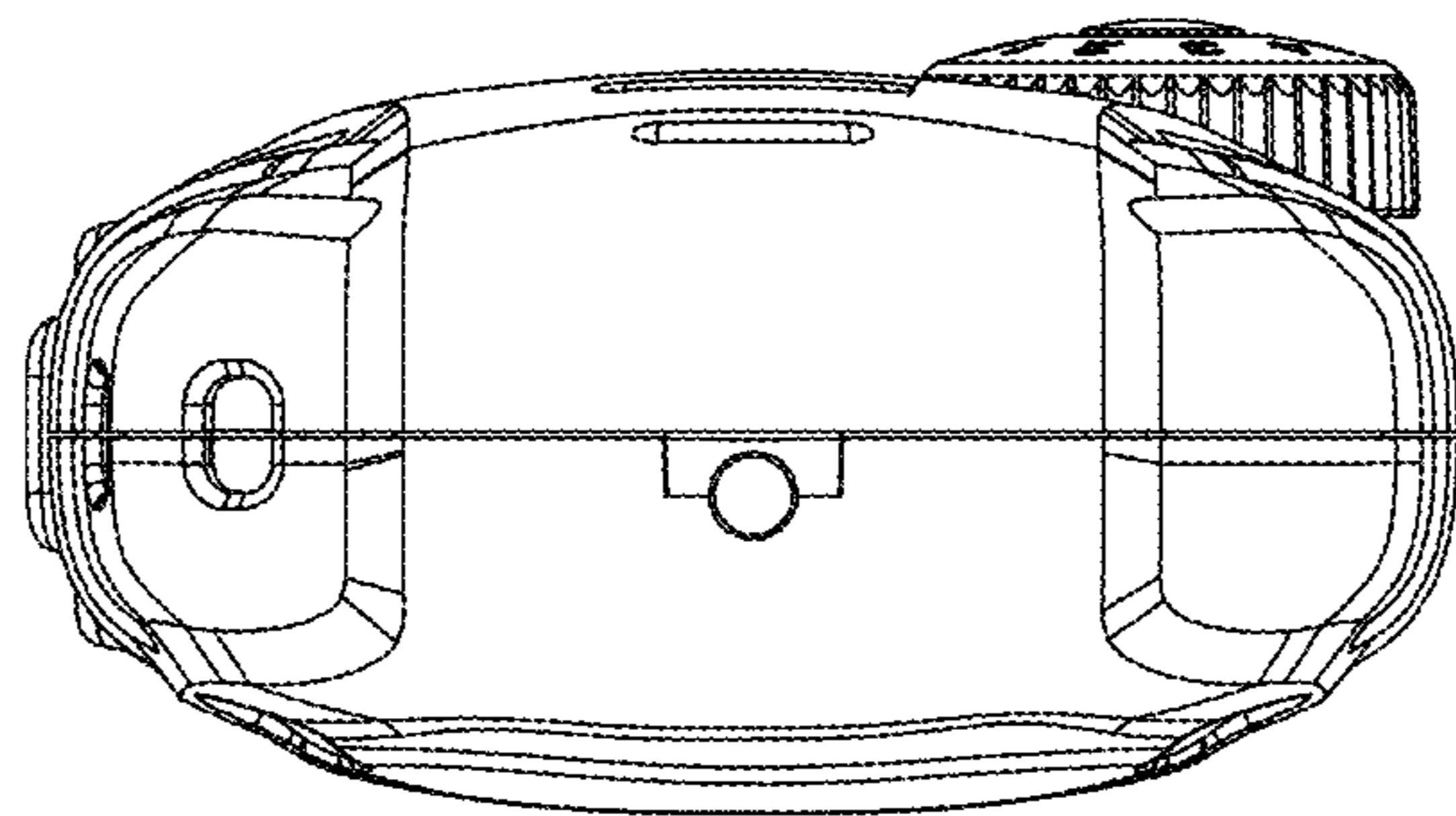


Fig. 6

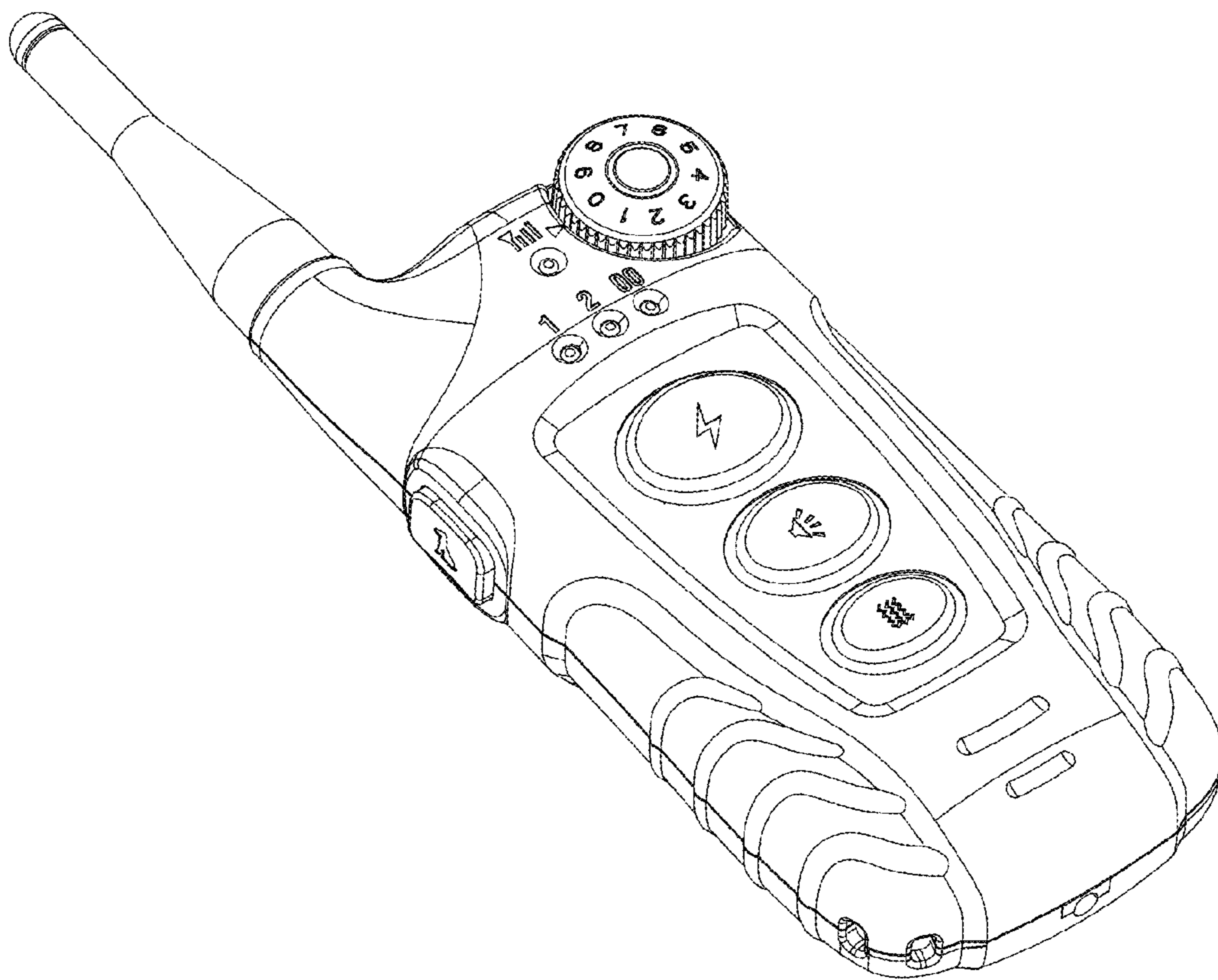


Fig. 7

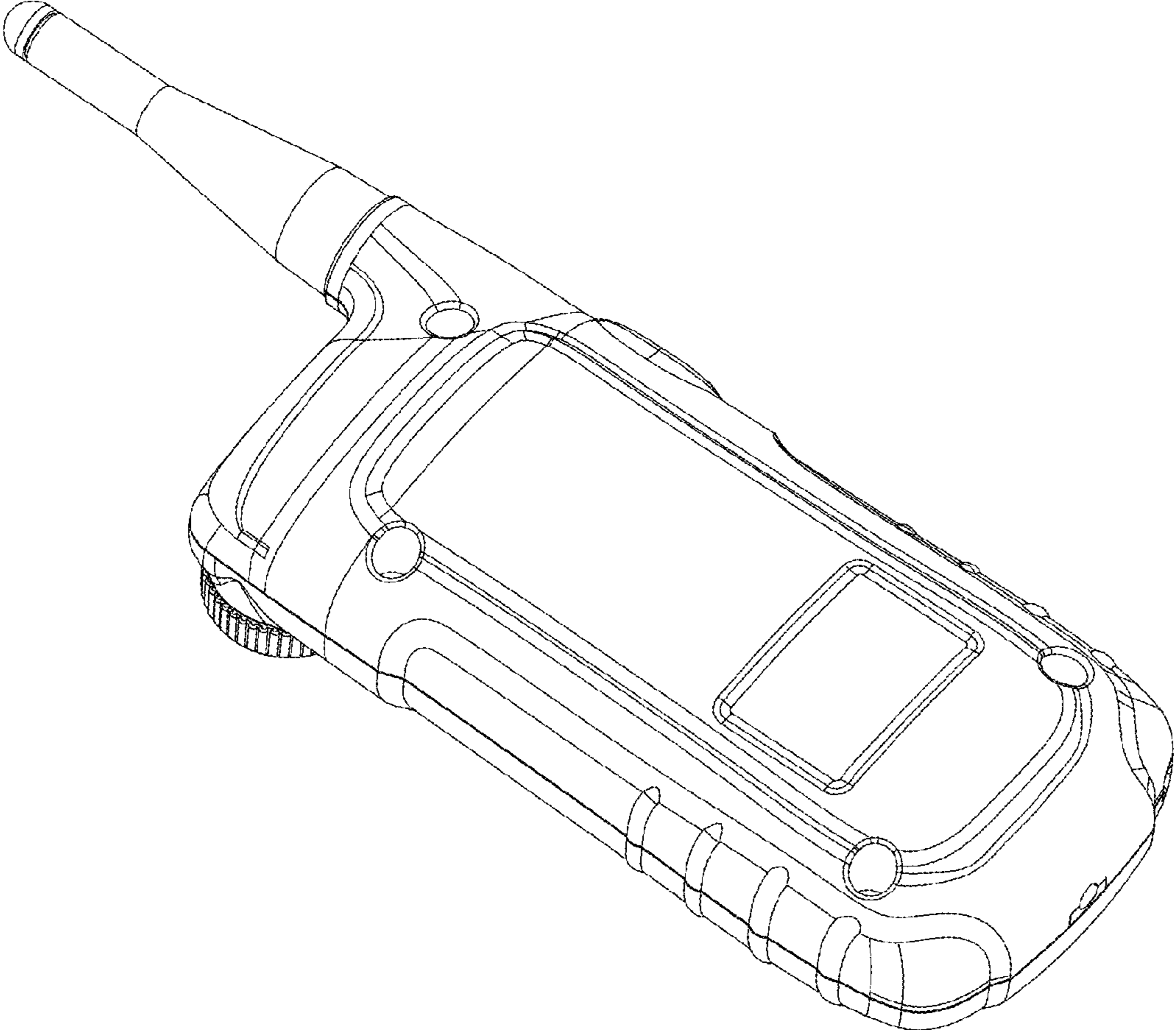


Fig. 8