



US00D685755S

(12) **United States Design Patent**
Shin et al.

(10) **Patent No.:** **US D685,755 S**

(45) **Date of Patent:** **** Jul. 9, 2013**

(54) **SPEAKERPHONE**

(75) Inventors: **Dongik Shin**, New York, NY (US);
Jonathan Hayes, Boston, MA (US)

(73) Assignee: **inMusic Brands, Inc.**, Cumberland, RI
(US)

(**) Term: **14 Years**

(21) Appl. No.: **29/389,304**

(22) Filed: **Apr. 8, 2011**

(51) **LOC (9) Cl.** **14-03**

(52) **U.S. Cl.**
USPC **D14/142**

(58) **Field of Classification Search**
USPC D14/142, 144, 145, 147, 148, 149,
D14/159, 243, 130, 251, 253; 379/202.01,
379/420.01, 420.02, 420.03, 428.02; 455/416
See application file for complete search history.

(56) **References Cited**

U.S. PATENT DOCUMENTS

D342,732 S	*	12/1993	Hinman et al.	D14/150
D449,285 S	*	10/2001	Wakefield et al.	D14/150
D449,286 S	*	10/2001	Wakefield et al.	D14/150
D478,560 S	*	8/2003	Misrahi et al.	D14/150
D480,059 S	*	9/2003	Misrahi et al.	D14/150
D481,371 S	*	10/2003	Chen	D14/150
D488,794 S	*	4/2004	Chen	D14/150
D491,909 S	*	6/2004	Sun	D14/150

D556,179 S	*	11/2007	Chang	D14/150
D557,676 S	*	12/2007	Suzuki et al.	D14/149
D570,820 S	*	6/2008	Katori	D14/149
D571,776 S	*	6/2008	Duys et al.	D14/150
D620,916 S	*	8/2010	Wada	D14/149
D635,955 S	*	4/2011	Corrigan et al.	D14/149
2009/0268899 A1	*	10/2009	Tokuda et al.	379/420.02

* cited by examiner

Primary Examiner — Sheryl Lane

(74) *Attorney, Agent, or Firm* — Finnegan, Henderson, Farabow, Garrett, and Dunner, LLP

(57) **CLAIM**

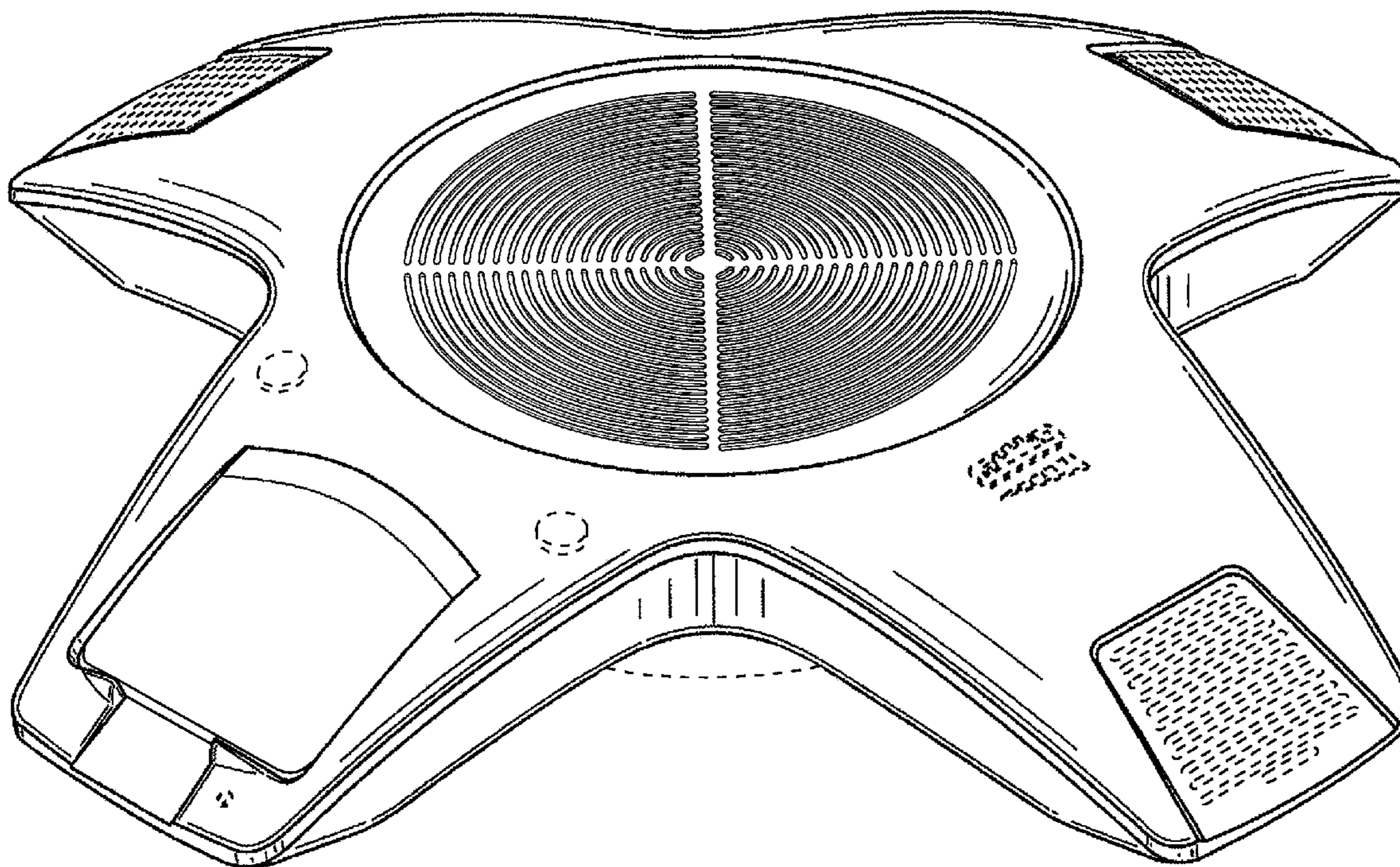
We claim, the ornamental design for a speakerphone, as shown and described.

DESCRIPTION

FIG. 1 is a perspective view of a speakerphone showing our new design;
FIG. 2 is a front elevation view thereof;
FIG. 3 is a rear elevation view thereof;
FIG. 4 is a top view thereof;
FIG. 5 is a bottom view thereof;
FIG. 6 is a right side elevation view thereof;
FIG. 7 is a left side elevation view thereof; and,
FIG. 8 is a top perspective view thereof; the wireless phone depicted in broken lines seated in the cradle is shown for environmental purposes only and forms no part of the claimed design.

The portions of the figures depicted in broken lines are environment and the elements depicted in broken lines form no part of the claimed design.

1 Claim, 8 Drawing Sheets



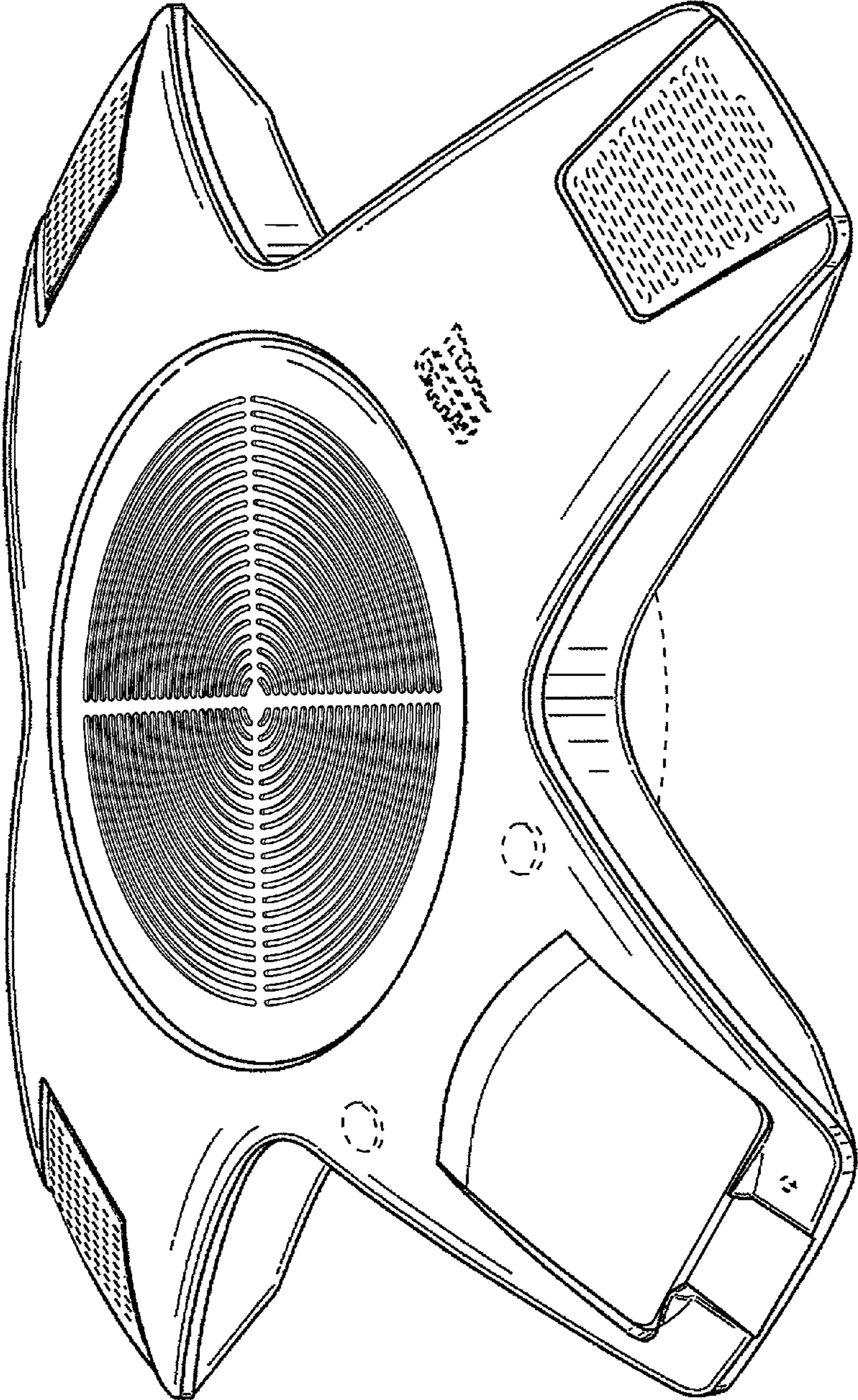


FIG. 1

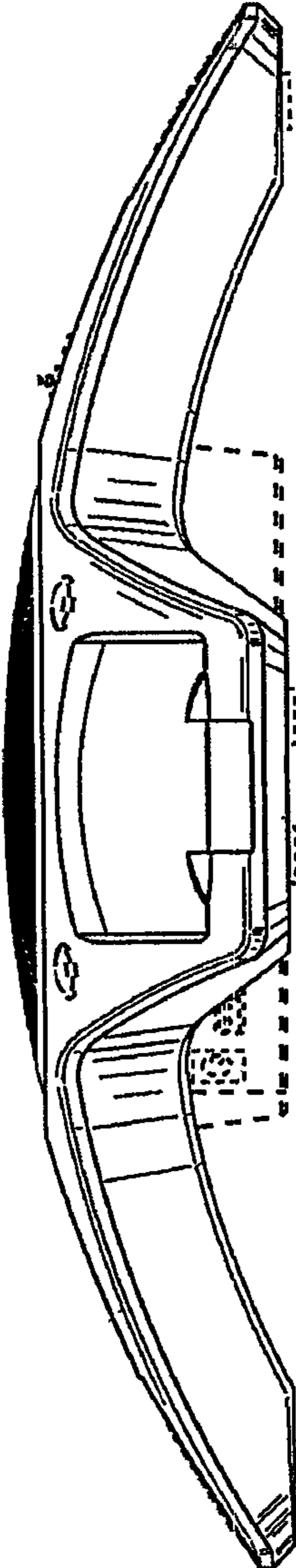


FIG. 2

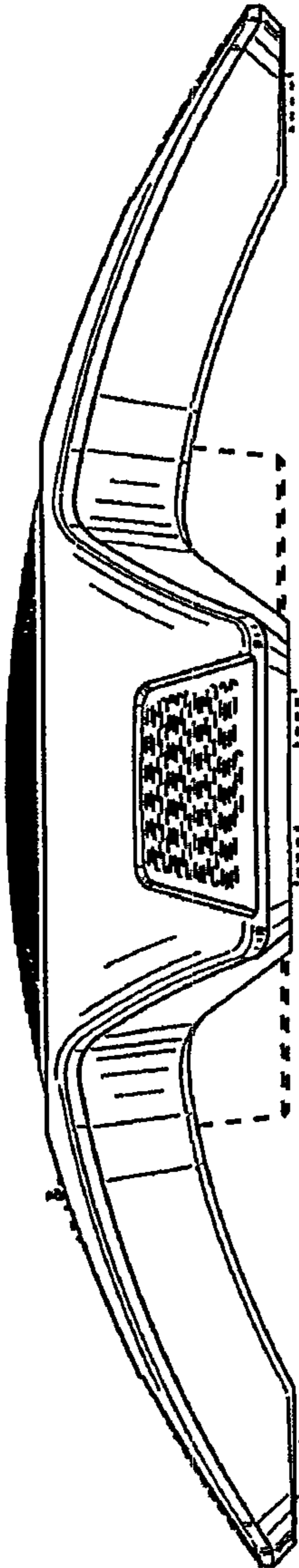


FIG. 3

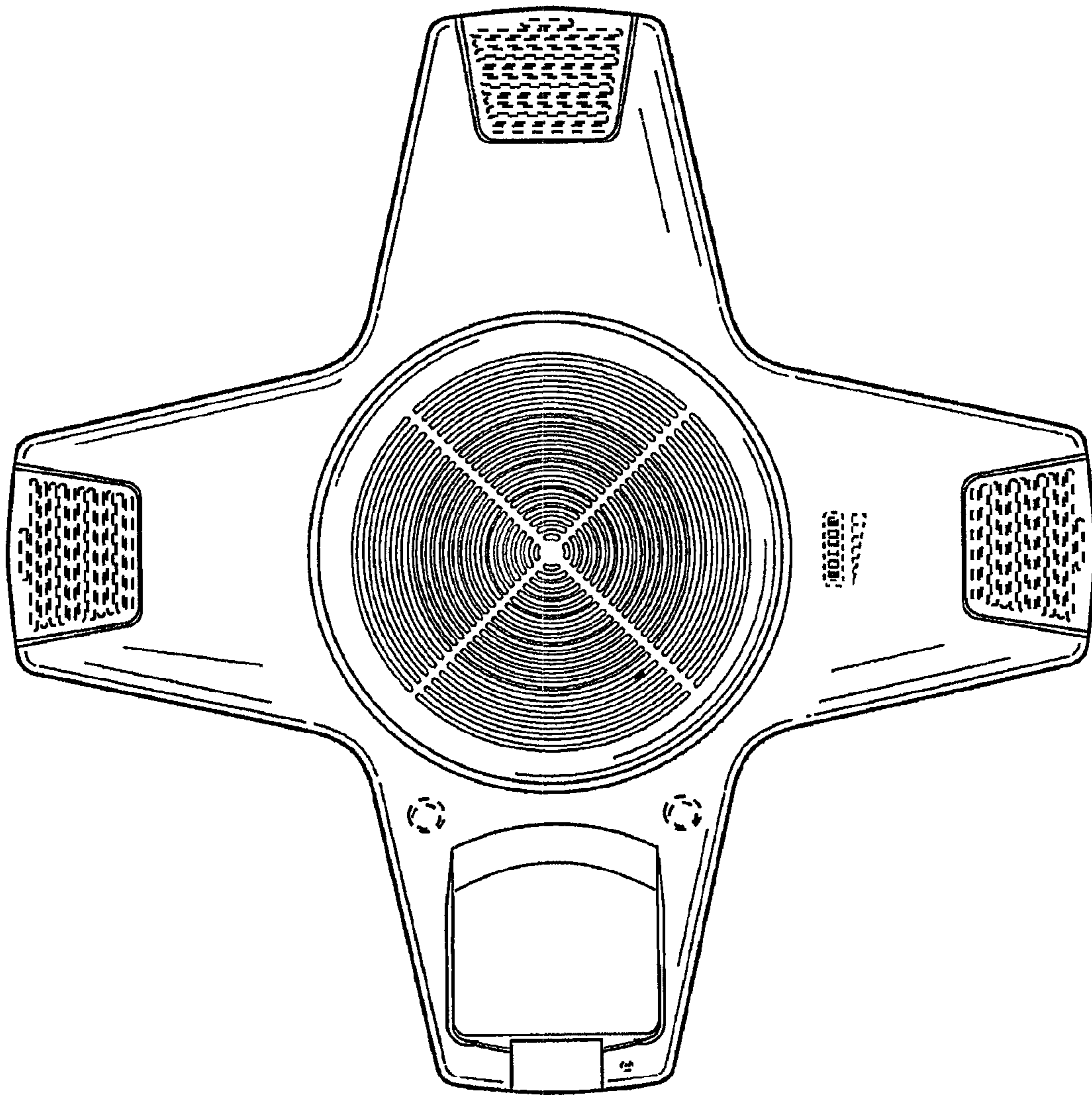


FIG. 4

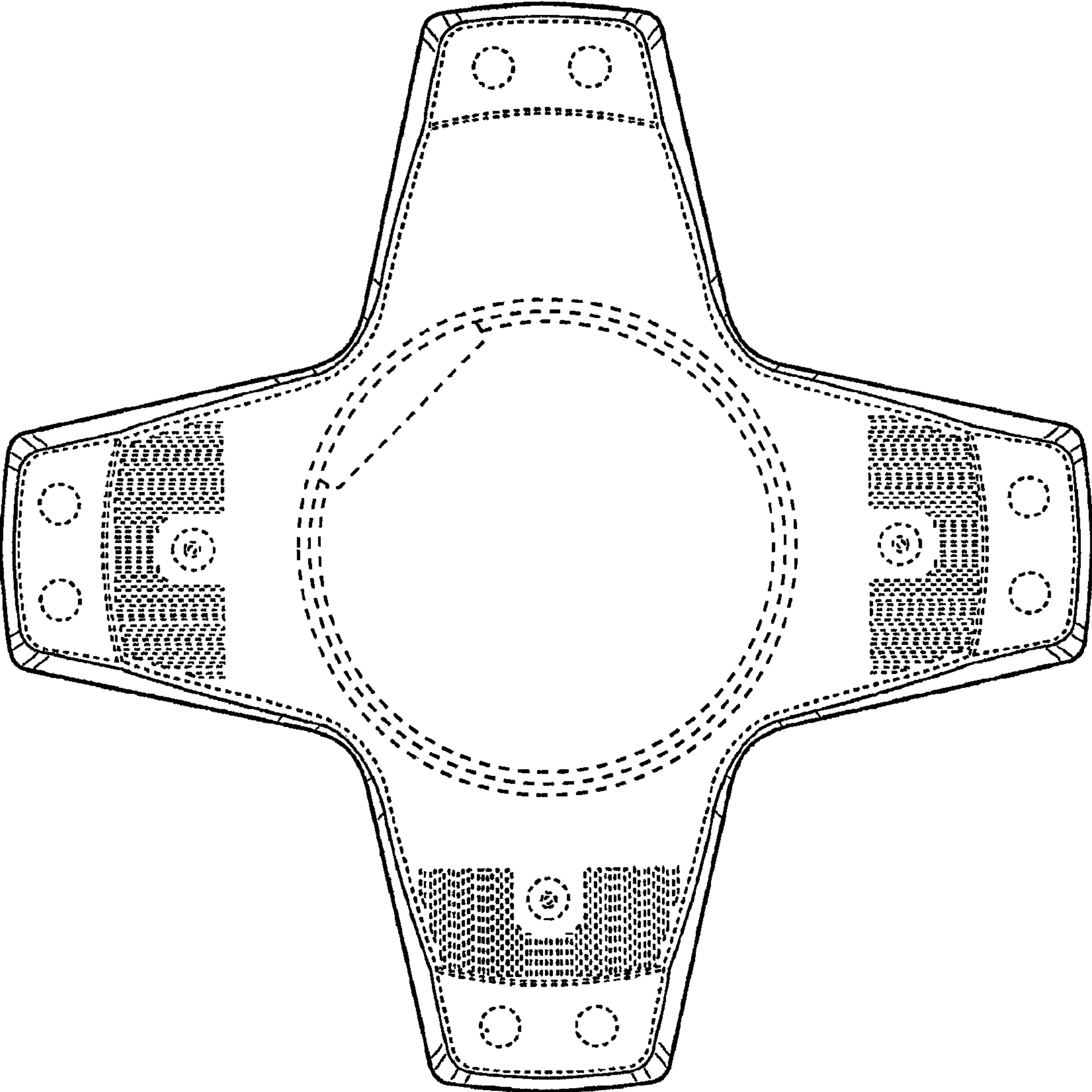


FIG. 5

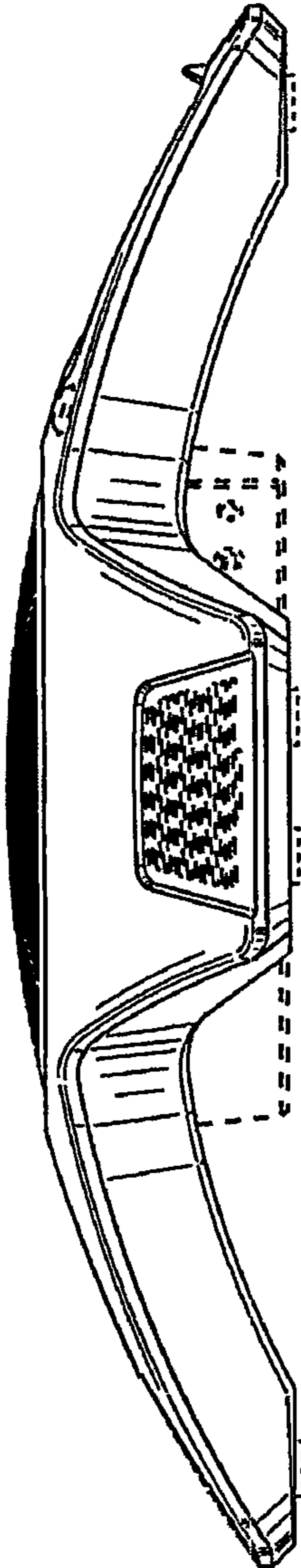


FIG. 6

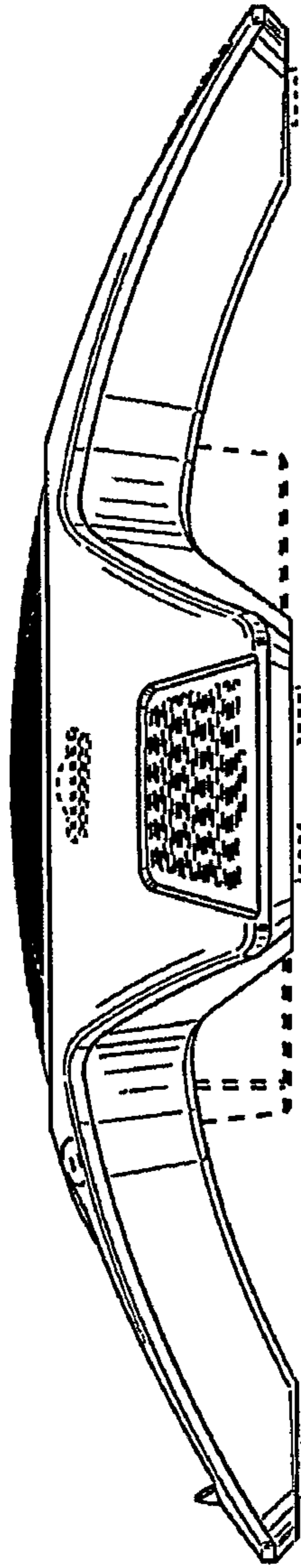


FIG. 7

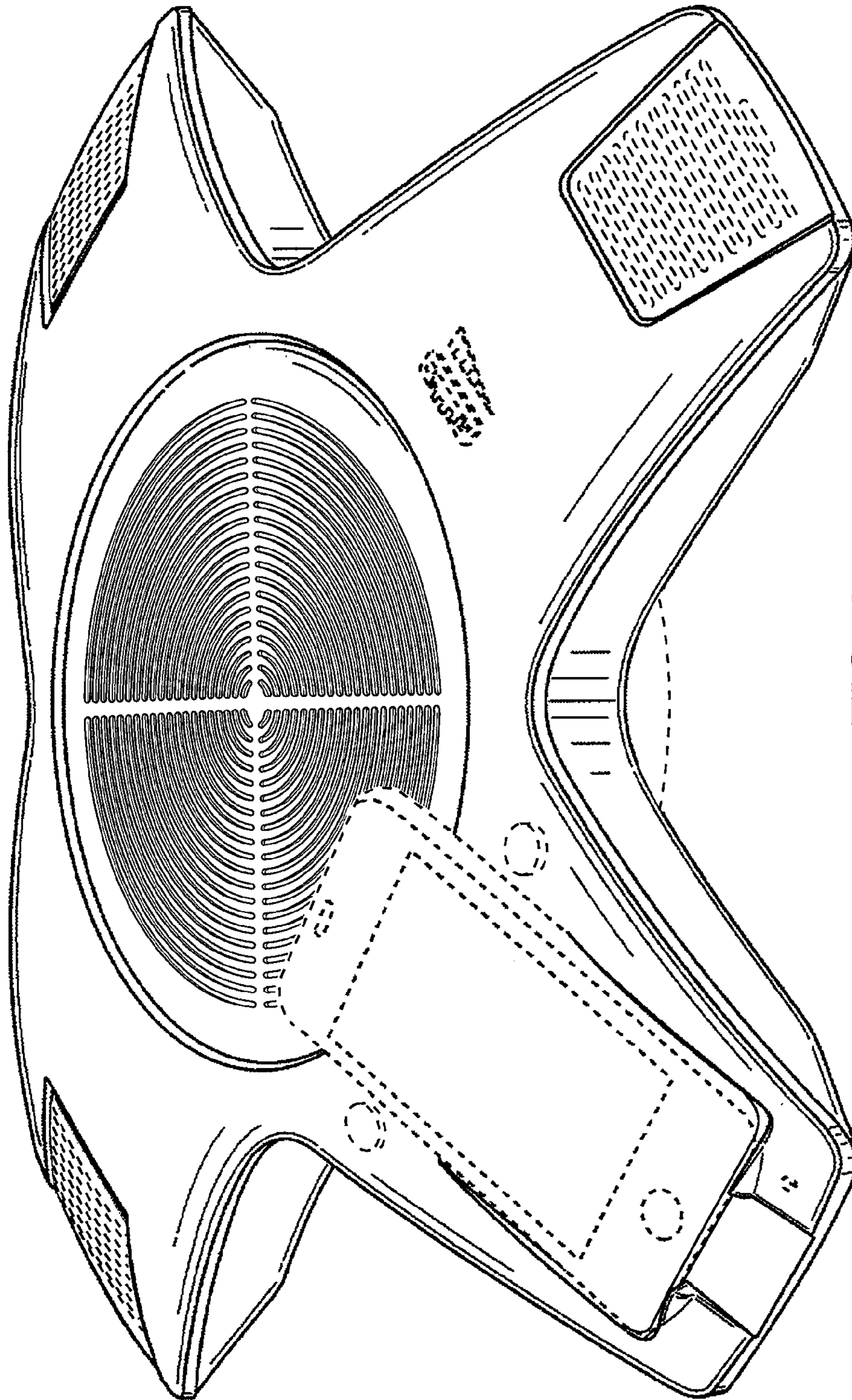


FIG. 8