



US00D685753S

(12) **United States Design Patent**
Kang et al.

(10) **Patent No.:** **US D685,753 S**

(45) **Date of Patent:** **** Jul. 9, 2013**

(54) **PORTABLE RADIO**

(75) Inventors: **Chul Min Kang**, Coral Springs, FL (US); **LanTing L. Garra**, Sunrise, FL (US); **Craig F Siddoway**, Davie, FL (US)

(73) Assignee: **Motorola Solutions, Inc.**, Schaumburg, IL (US)

(**) Term: **14 Years**

(21) Appl. No.: **29/423,427**

(22) Filed: **May 31, 2012**

(51) **LOC (9) Cl.** **14-03**

(52) **U.S. Cl.**
USPC **D14/137**

(58) **Field of Classification Search**
USPC D14/135, 137, 139, 157, 188, 197-198,
D14/257, 258, 138 R, 138 AA, 138 C, 138 AD,
D14/138 AC, 138 G, 147, 218, 341-347;
361/814; 455/90.1-90.3
See application file for complete search history.

(56) **References Cited**

U.S. PATENT DOCUMENTS

D455,411 S * 4/2002 Wong D14/137
D482,009 S * 11/2003 Robertson et al. D14/137

(Continued)

OTHER PUBLICATIONS

Fast 610P Portable, [online], [retrieved on Jan. 7, 2010]. Retrieved from Internet ,<URL: <http://www.fastradios.com>>.*

(Continued)

Primary Examiner — Bridget L Eland

(74) *Attorney, Agent, or Firm* — Barbara R. Doutre

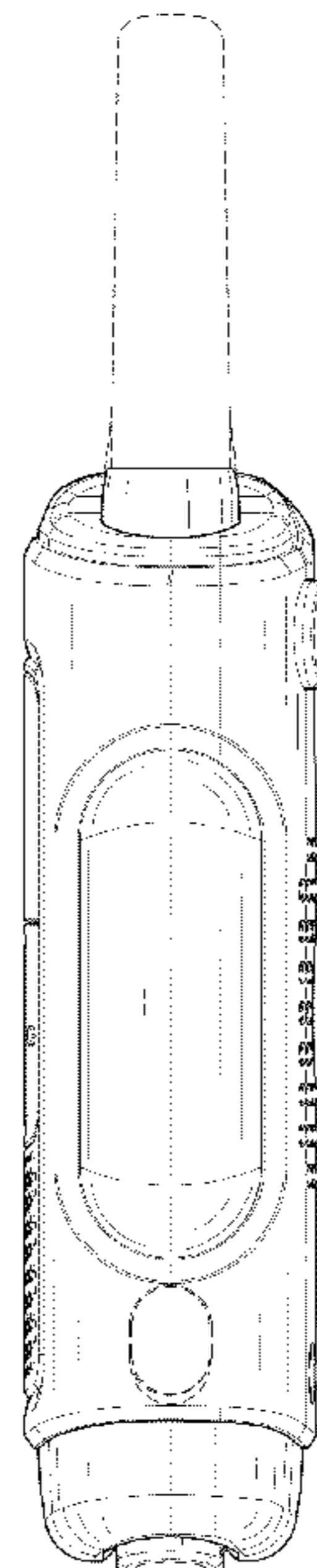
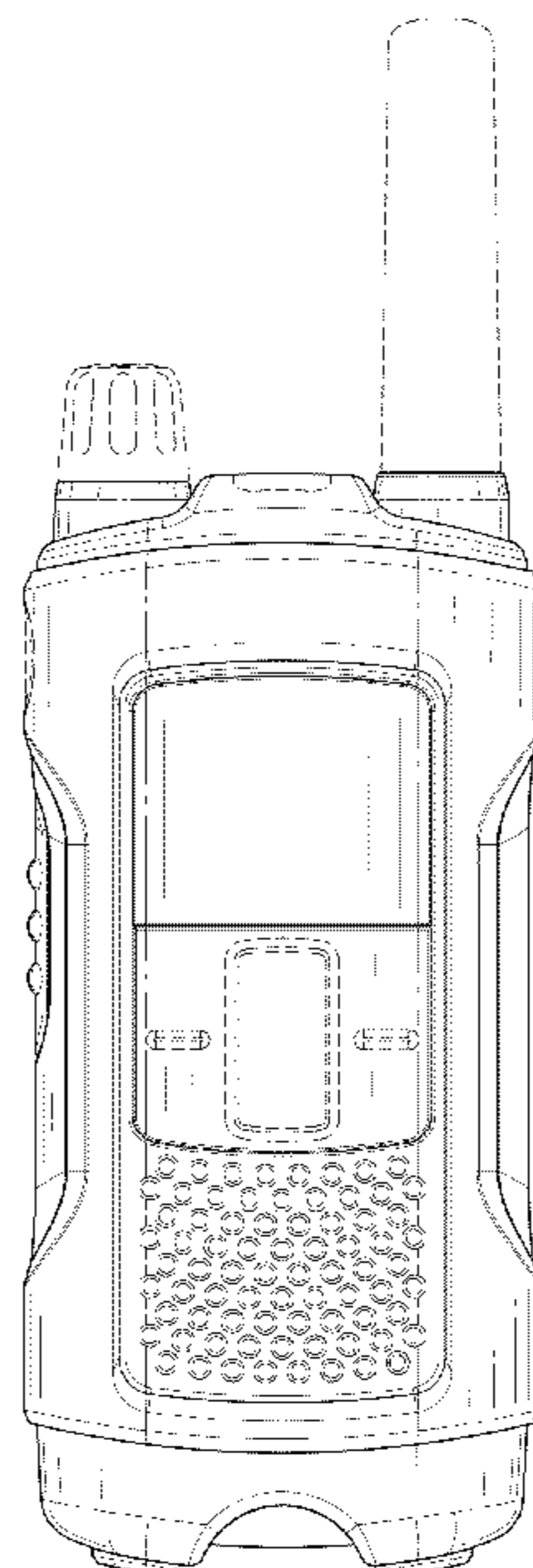
(57) **CLAIM**

The ornamental design for a portable radio, as shown and described.

DESCRIPTION

FIG. 1 is a front perspective view of a first embodiment of an ornamental design for a portable radio;
FIG. 2 is a rear perspective view of the first embodiment thereof;
FIG. 3 is a front view of the first embodiment thereof;
FIG. 4 is a rear view of the first embodiment thereof;
FIG. 5 is a first side view of the first embodiment thereof;
FIG. 6 is a second side view of the first embodiment thereof;
FIG. 7 is a top view of the first embodiment thereof; and
FIG. 8 is a bottom view of the first embodiment thereof.
FIG. 9 is a front perspective view of a second embodiment of an ornamental design for a portable radio;
FIG. 10 is a rear perspective view of the second embodiment thereof;
FIG. 11 is a front view of the second embodiment thereof;
FIG. 12 is a rear view of the second embodiment thereof;
FIG. 13 is a first side view of the second embodiment thereof;
FIG. 14 is a second side view of the second embodiment thereof;
FIG. 15 is a top view of the second embodiment thereof; and
FIG. 16 is a bottom view of the second embodiment thereof.
The broken lines shown in FIGS. 1-8, that are immediately adjacent to the shaded areas, and define unshaded regions, represent the bounds of the first embodiment, while all other broken lines are directed to environment and are for illustrative purposes only; the broken lines form no part of the first embodiment.

1 Claim, 10 Drawing Sheets



US D685,753 S

Page 2

U.S. PATENT DOCUMENTS

D510,332	S *	10/2005	Haase et al.	D14/137
D540,289	S *	4/2007	Liu et al.	D14/137
D576,124	S *	9/2008	Nishizawa	D14/137
D576,125	S *	9/2008	Nishizawa	D14/137
D576,128	S *	9/2008	Tran et al.	D14/137
D576,980	S *	9/2008	Onoue	D14/137
D598,876	S *	8/2009	Leng et al.	D14/137
D635,946	S *	4/2011	Garra et al.	D14/137
8,023,903	B2 *	9/2011	Kerwood	455/90.3
D677,230	S *	3/2013	Ooi et al.	D14/137
2010/0203849	A1 *	8/2010	Straub	455/90.2

OTHER PUBLICATIONS

Standard Horizon HX-851, [online], [retrieved on Aug. 19, 2011]. Retrieved from Internet ,<URL: <http://www.twowayradioonline.com>>.*

ICOM IC-M36, [online], [retrieved on Aug. 19, 2011]. Retrieved from Internet ,<URL: <http://www.twowayradioonline.com>>.*

Motorola EM1000R Talkabout GMRS/FRS, [online], [retrieved on Jan 6, 2010]. Retrieved from Internet ,<URL: <http://www.twowayradioonline.com>>.*

* cited by examiner

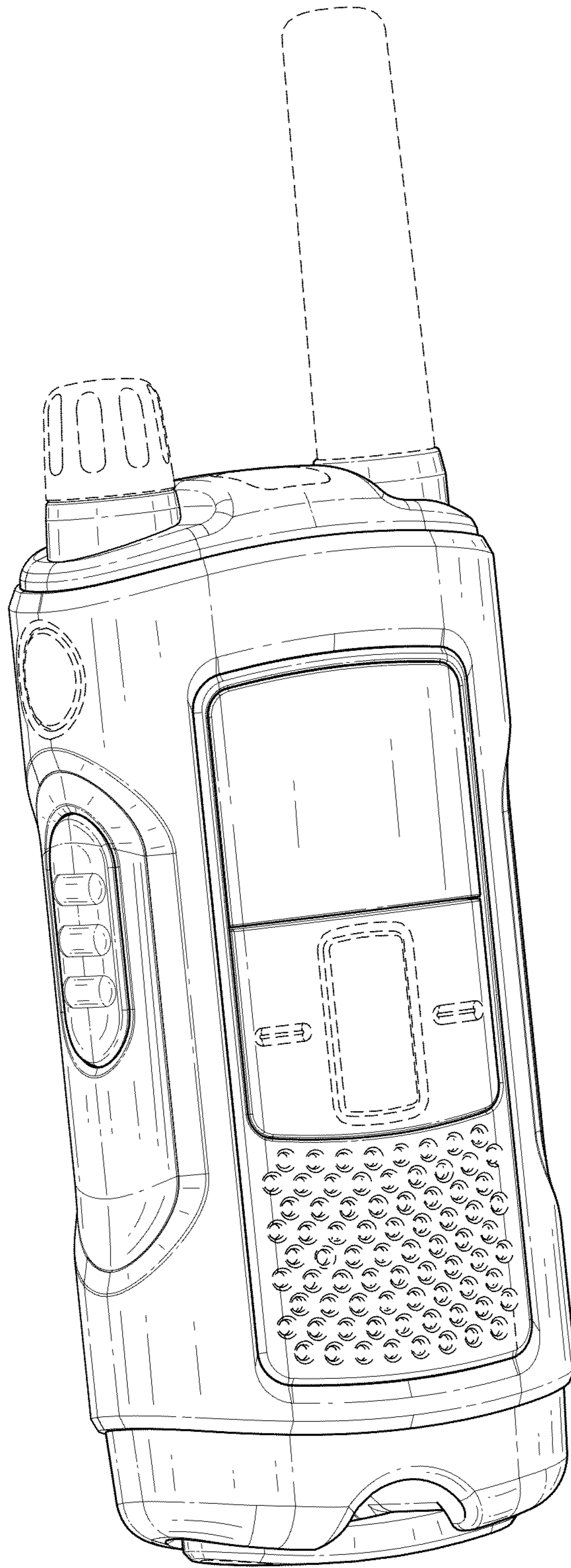


FIG. 1

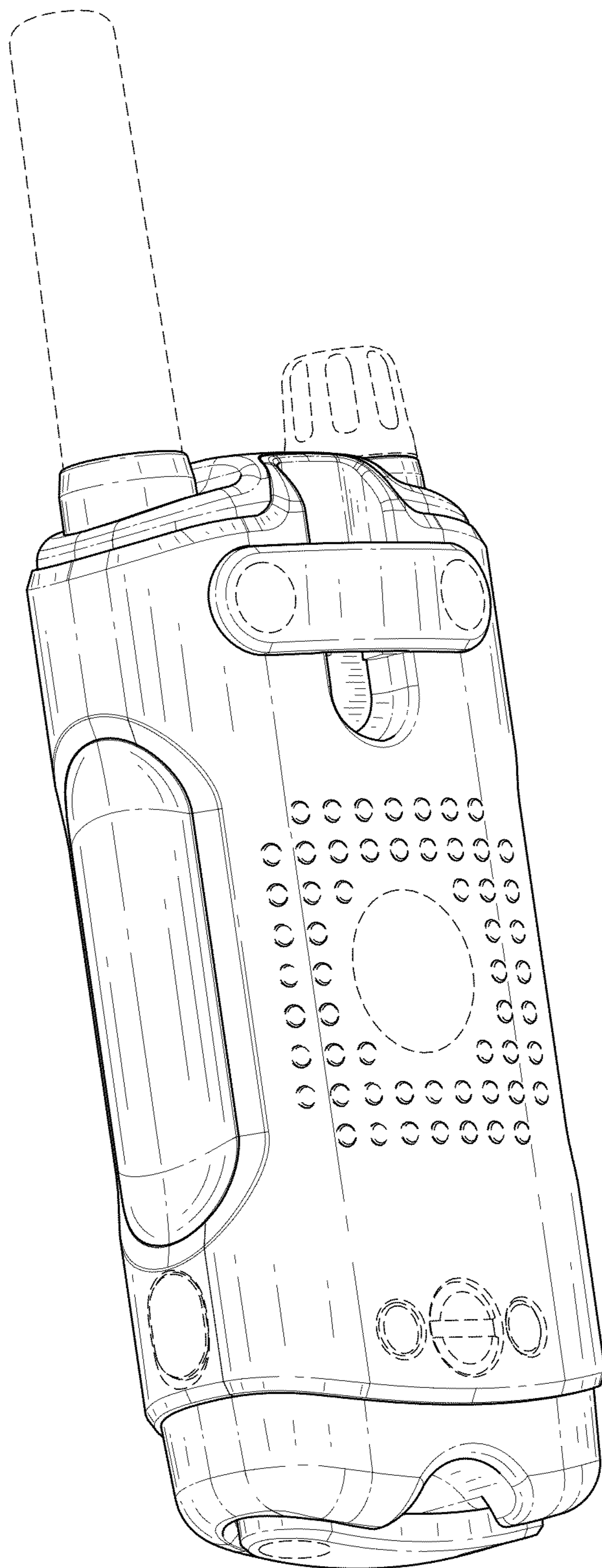


FIG. 2

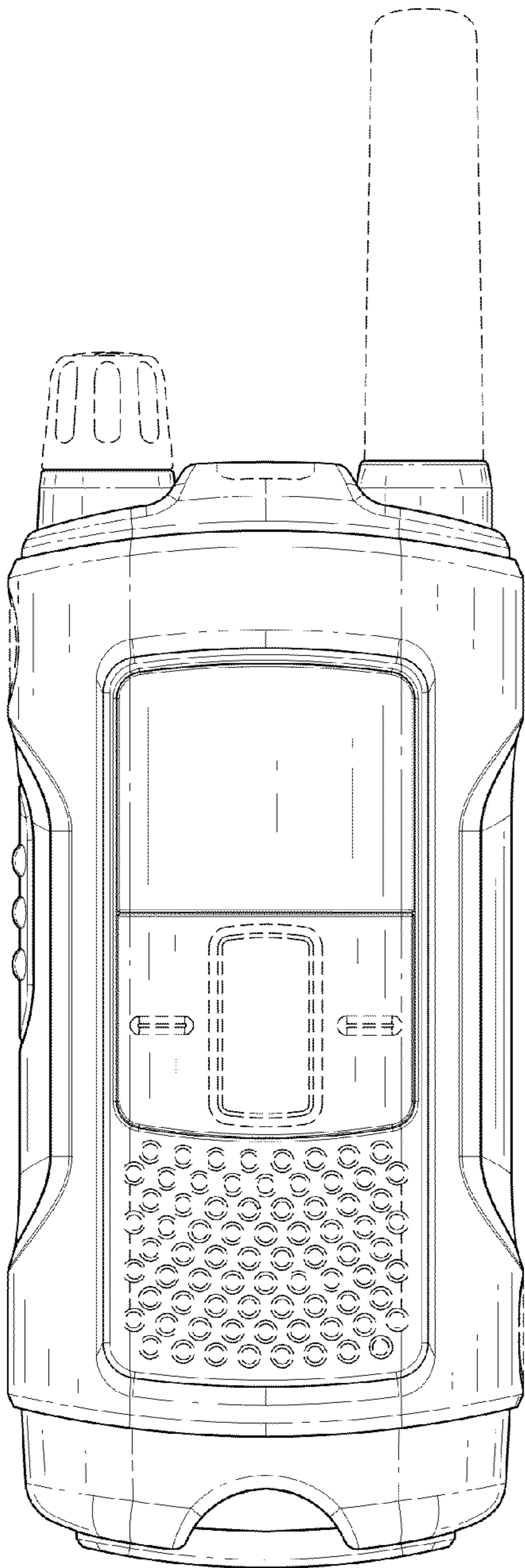


FIG. 3

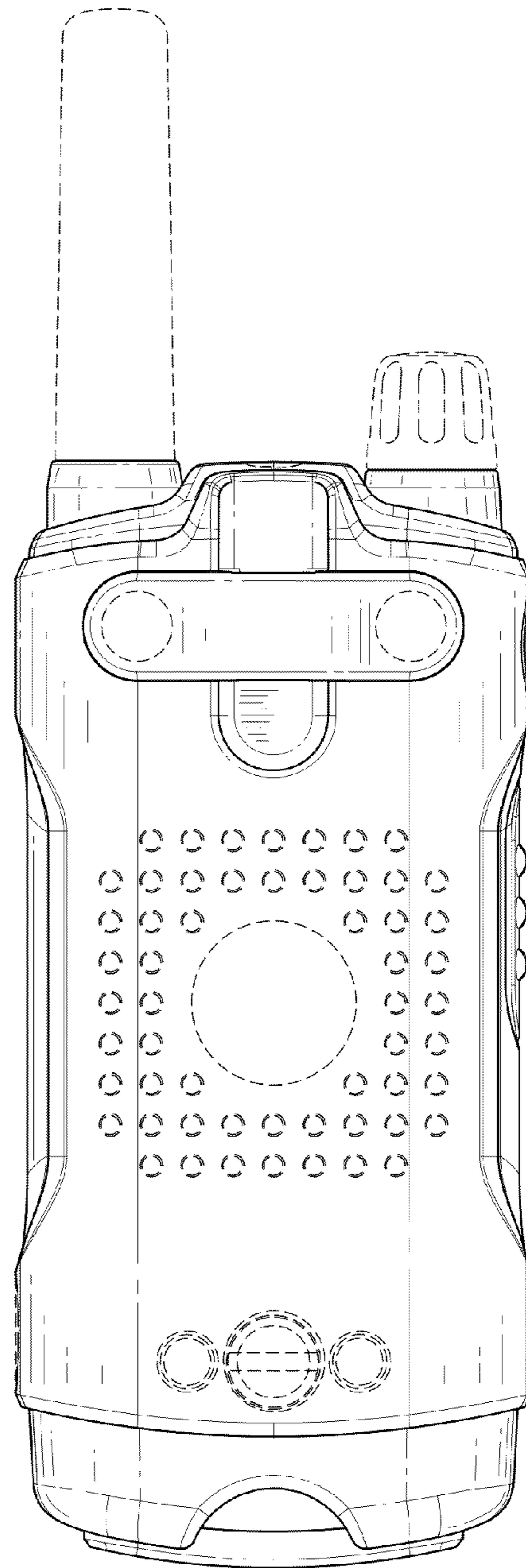


FIG. 4

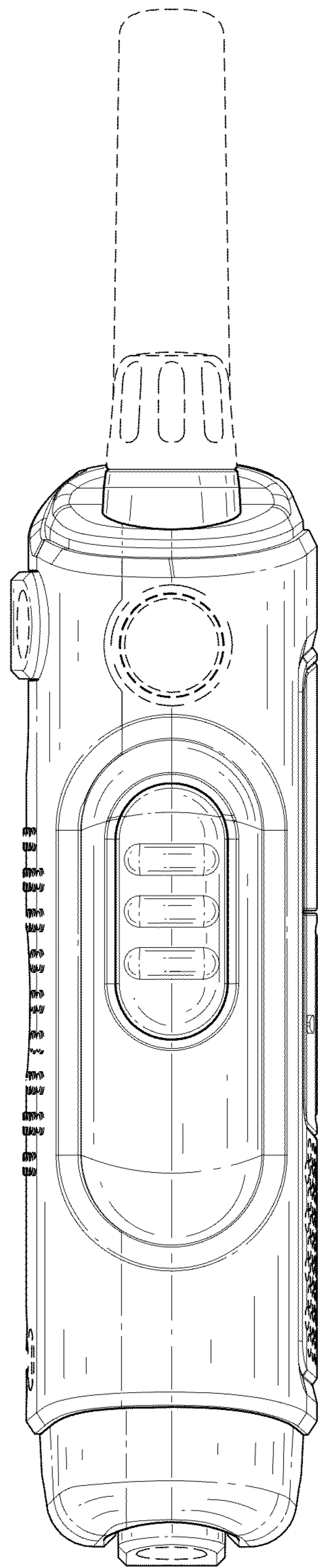


FIG. 5

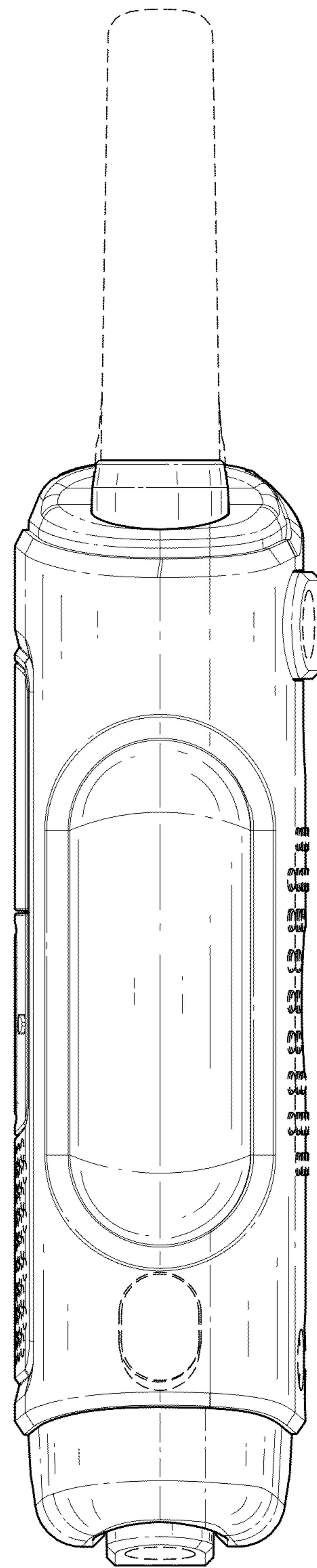


FIG. 6

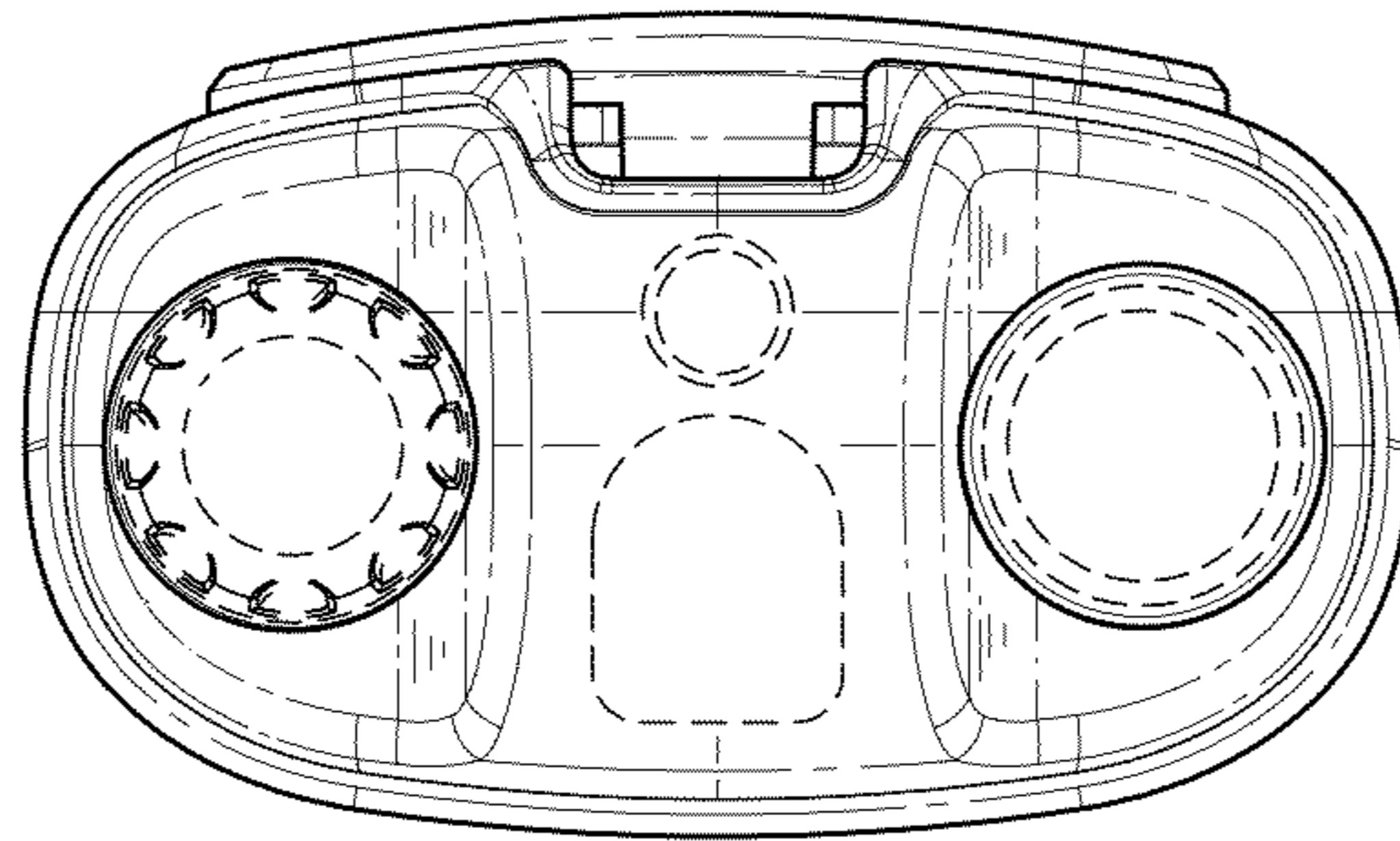


FIG. 7

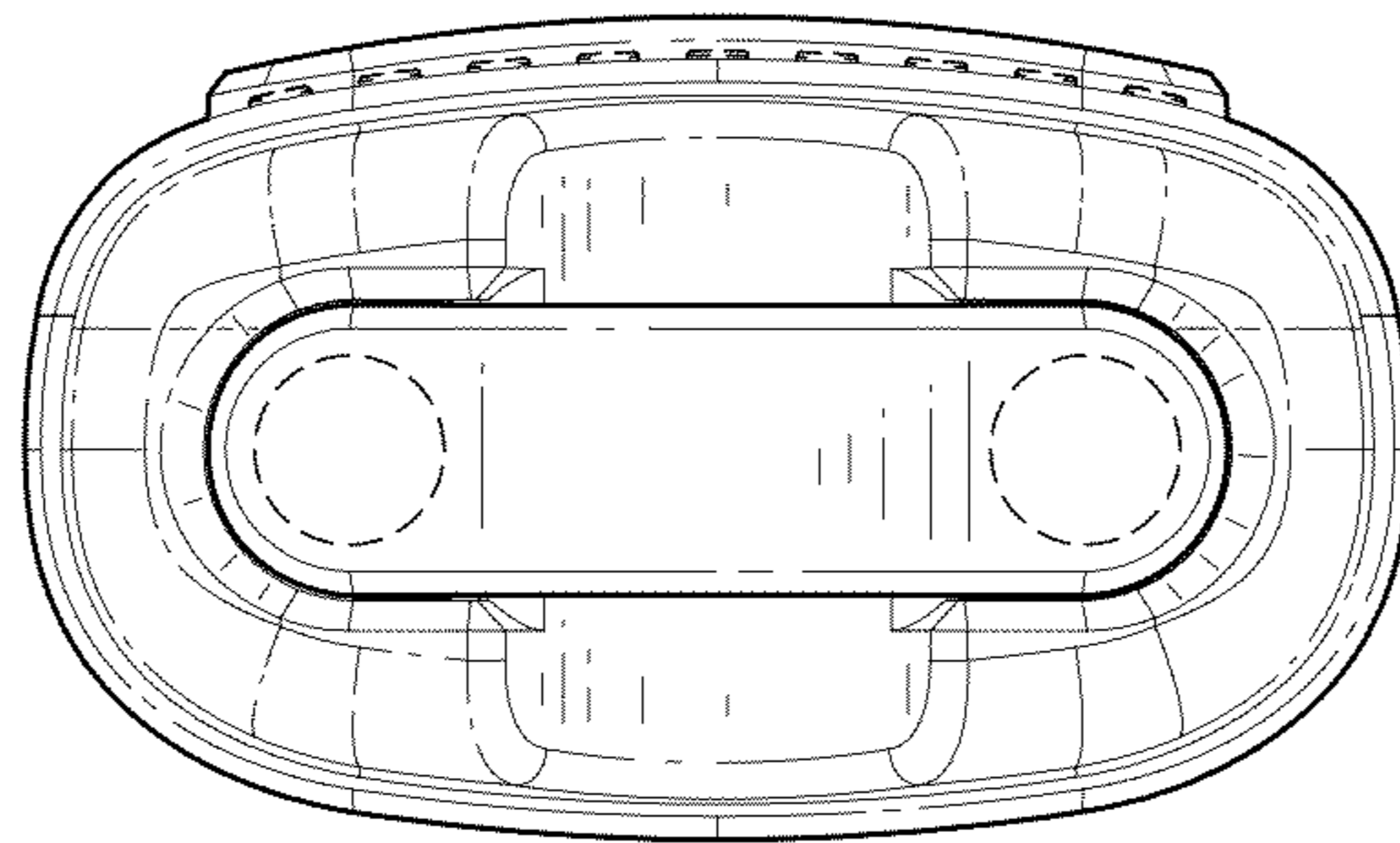


FIG. 8

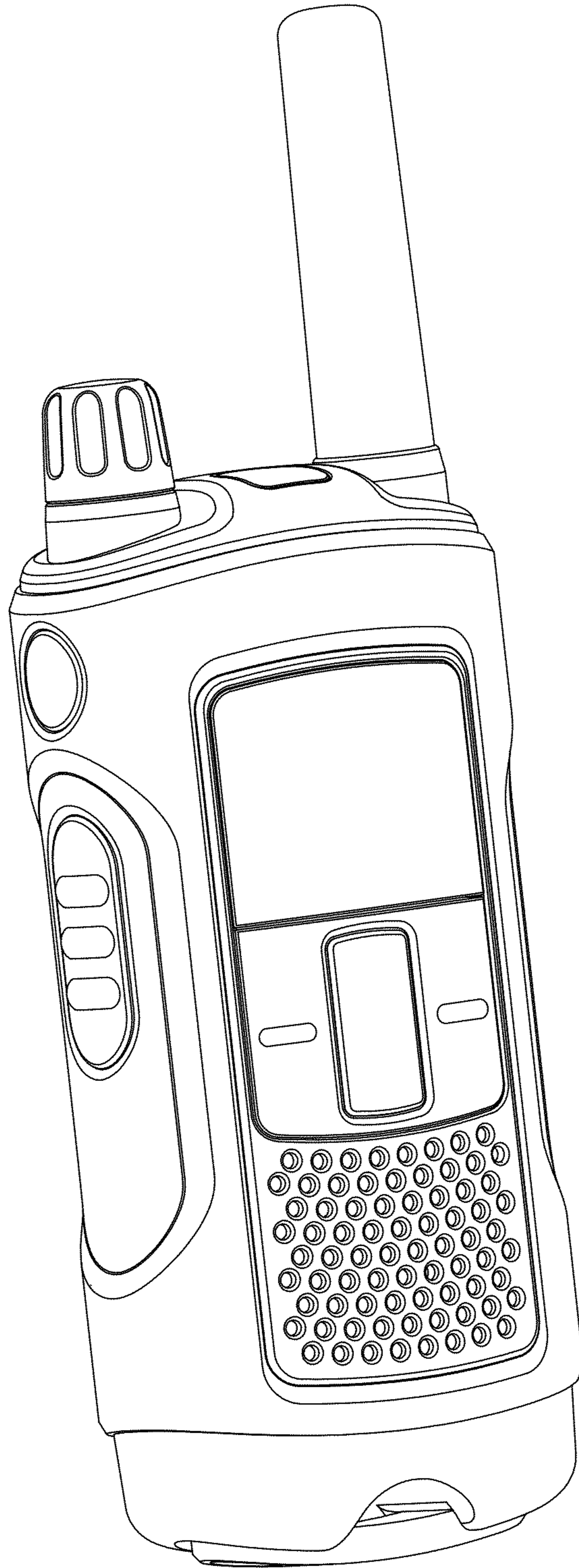


FIG. 9

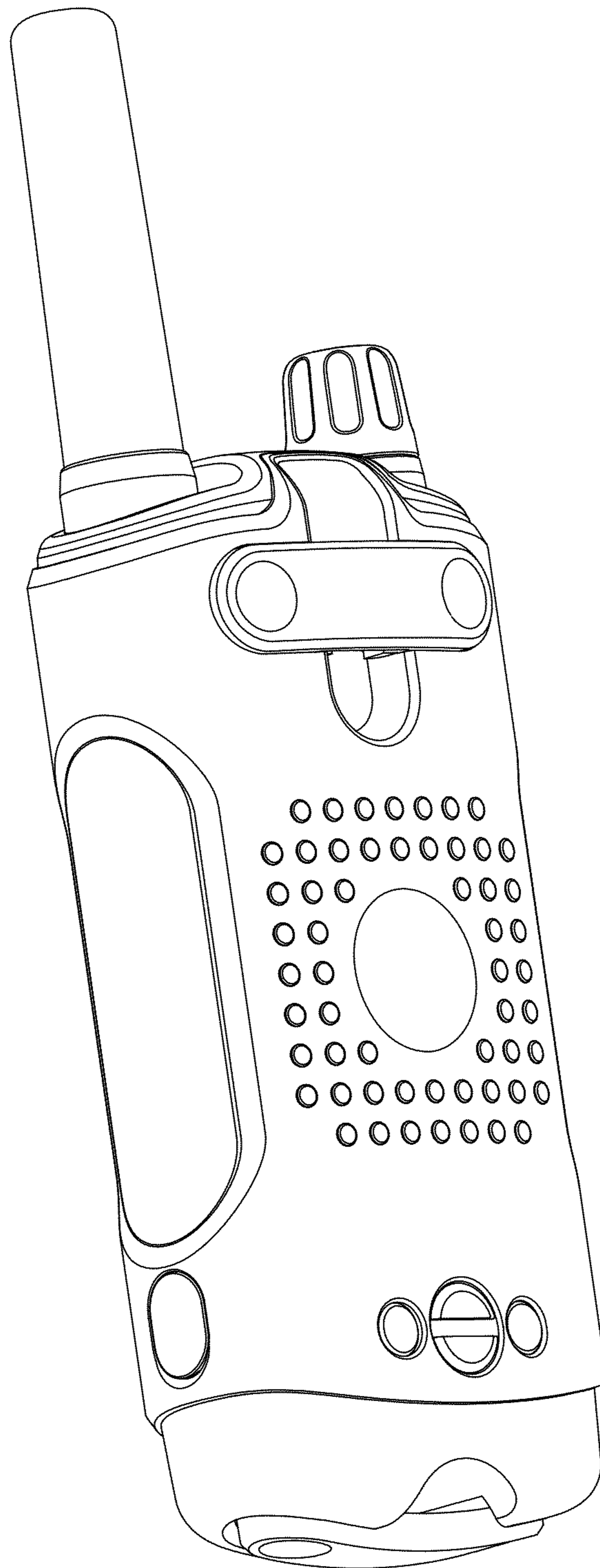


FIG. 10

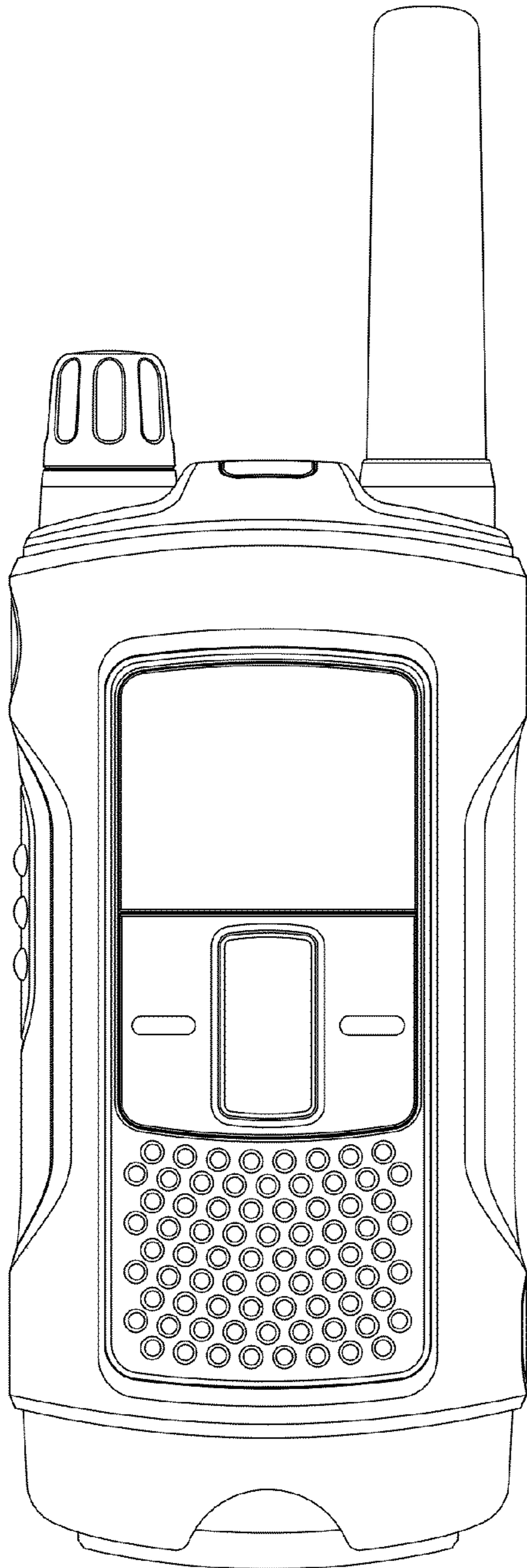


FIG. 11

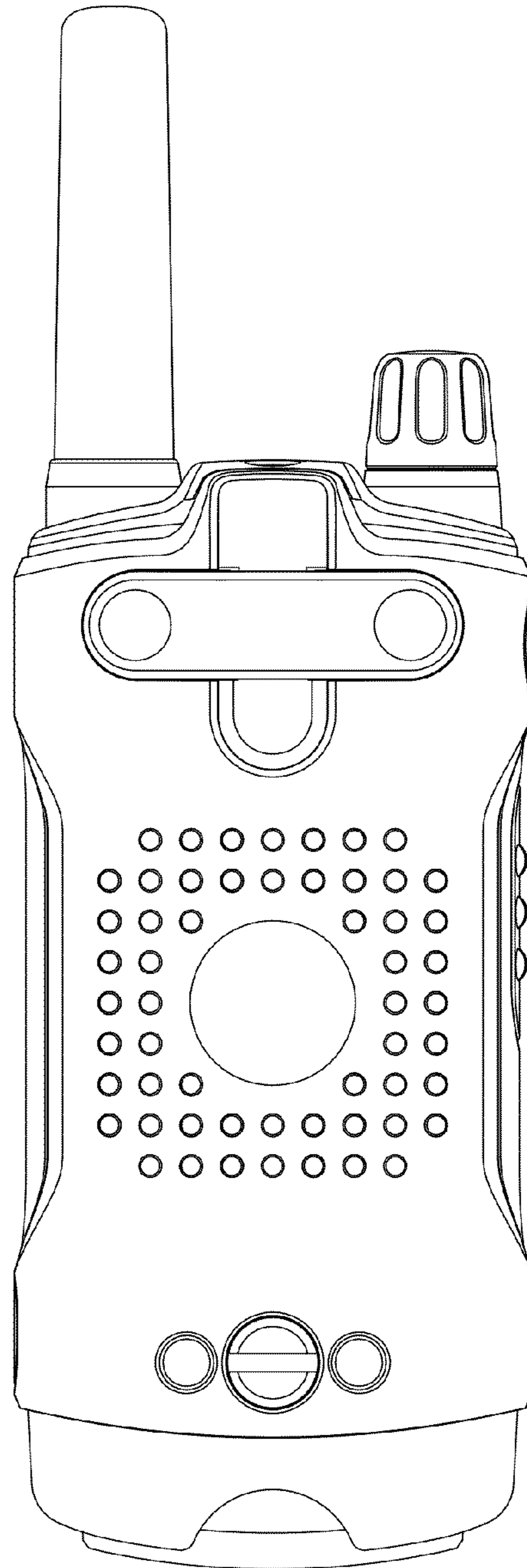


FIG. 12

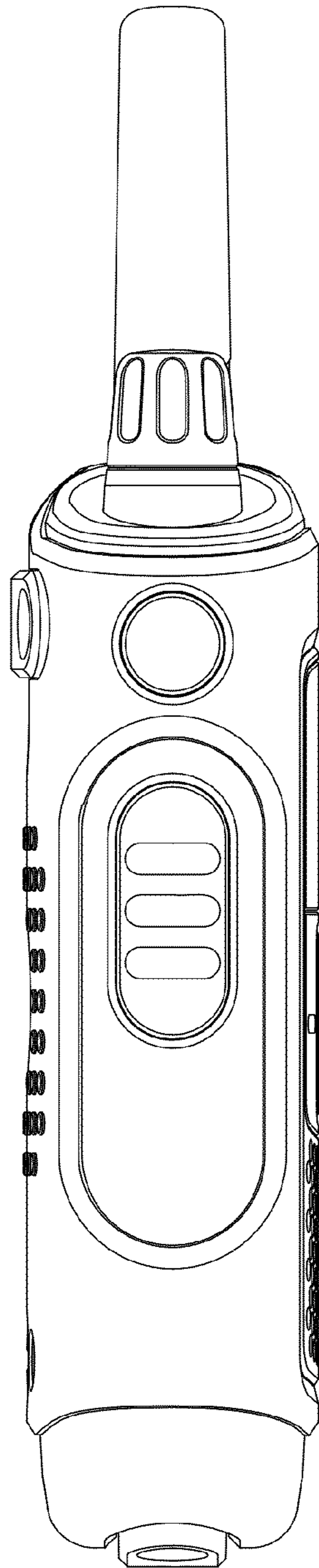


FIG. 13

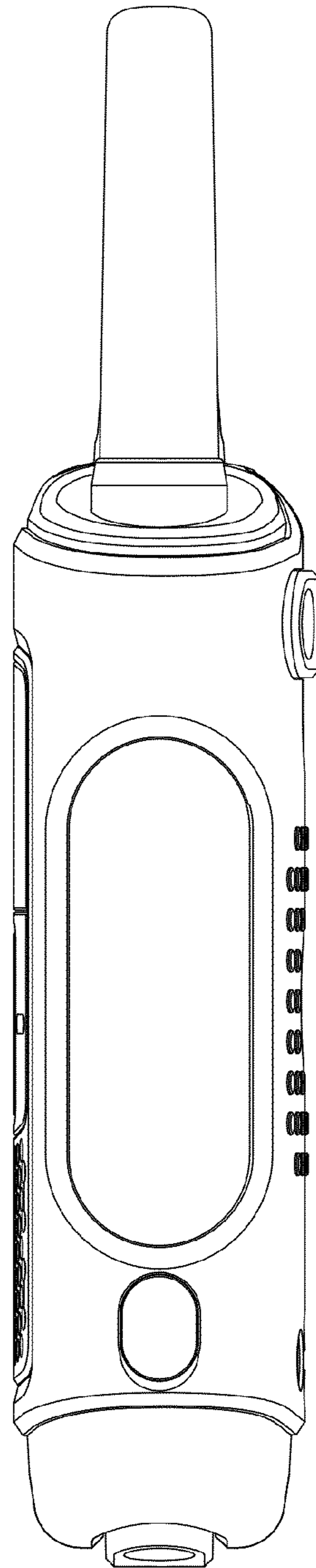


FIG. 14

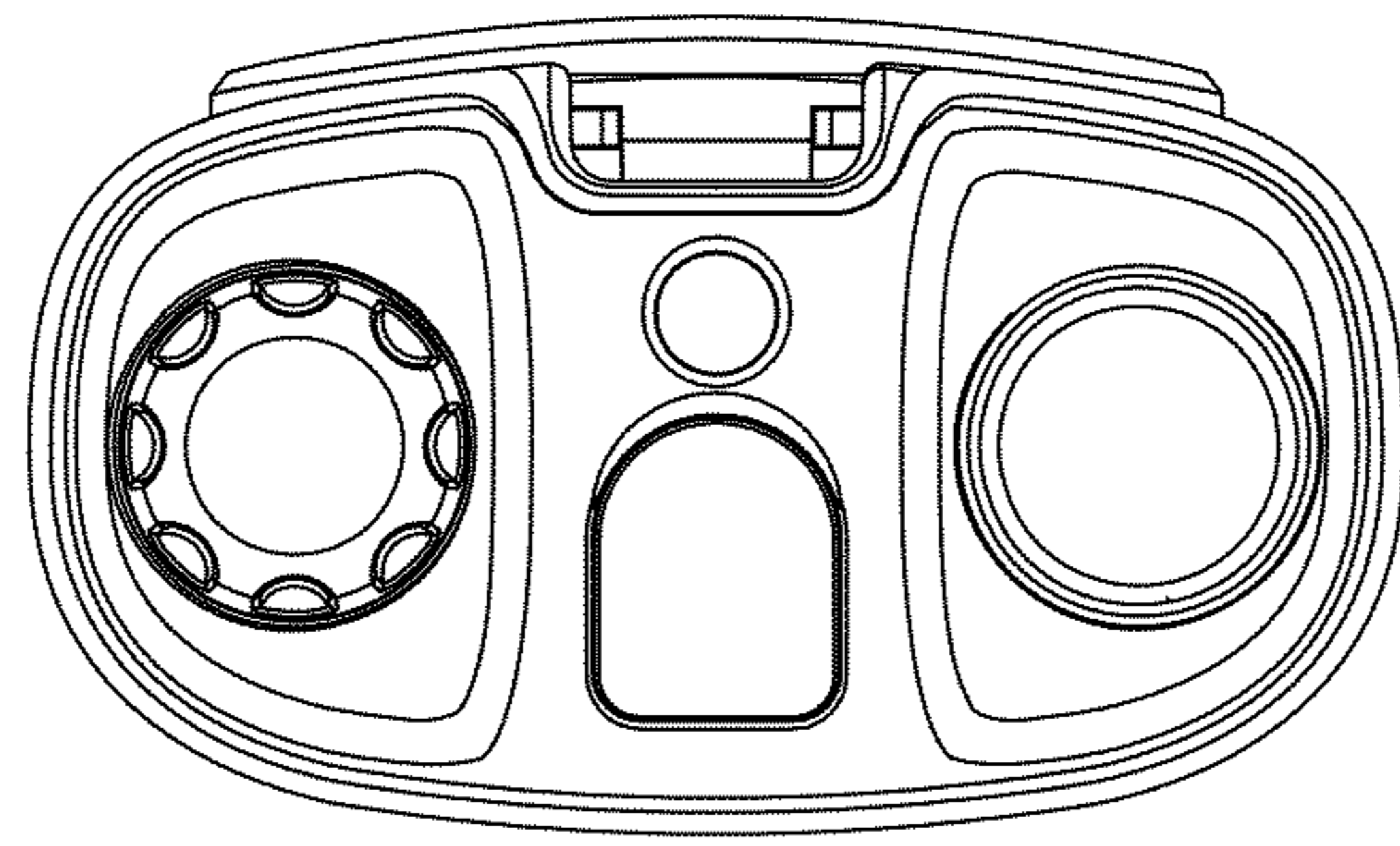


FIG. 15

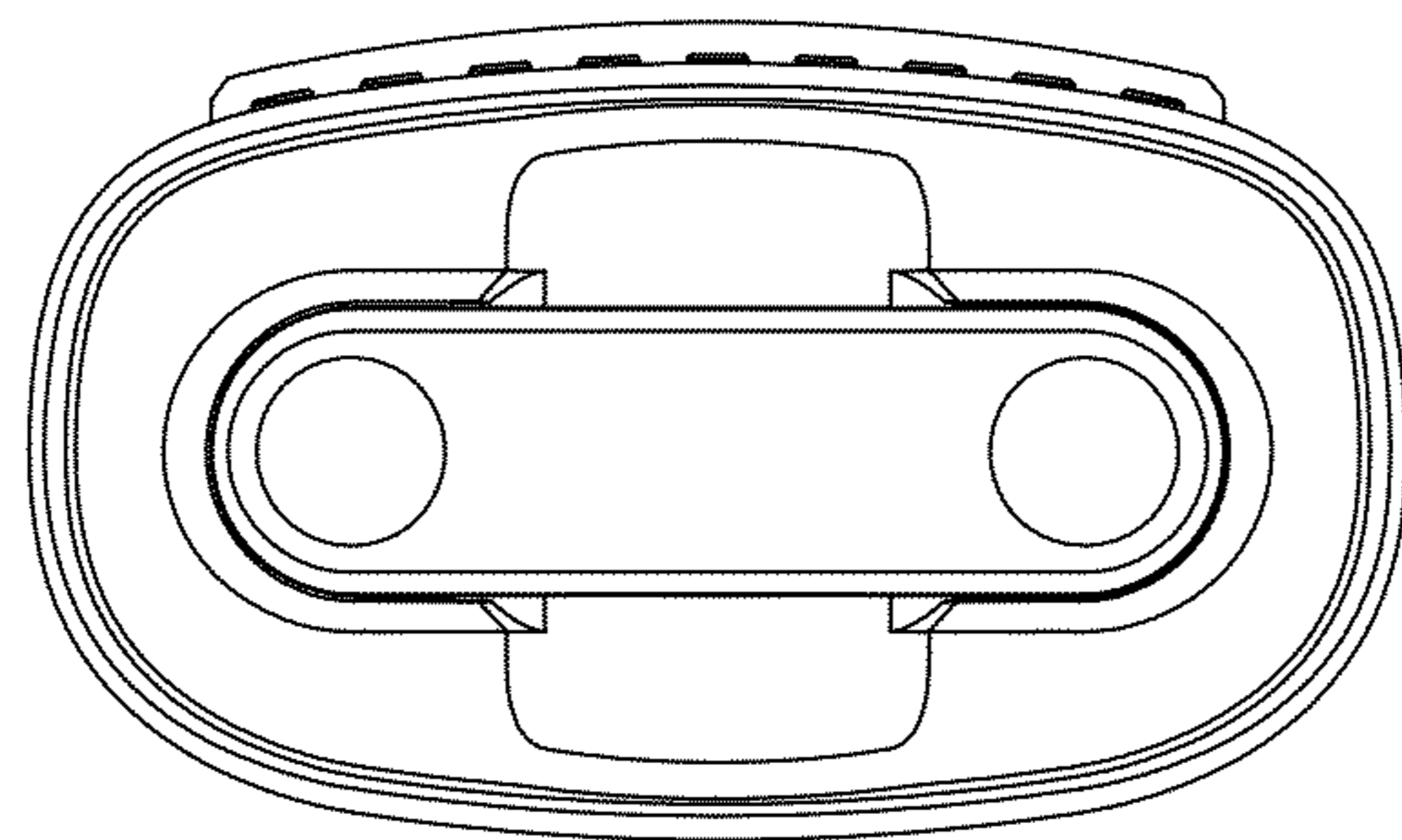


FIG. 16