

US00D685752S

(12) **United States Design Patent**
Kimura et al.

(10) **Patent No.:** **US D685,752 S**
(45) **Date of Patent:** **** Jul. 9, 2013**

(54) **SET-TOP BOX**

(71) Applicant: **Panasonic Corporation**, Osaka (JP)

(72) Inventors: **Toshiki Kimura**, Osaka (JP); **Kazuhiko Shibata**, Kyoto (JP)

(73) Assignee: **Panasonic Corporation**, Osaka (JP)

(**) Term: **14 Years**

(21) Appl. No.: **29/440,224**

(22) Filed: **Dec. 20, 2012**

(51) **LOC (9) Cl.** **14-03**

(52) **U.S. Cl.**
USPC **D14/125**

(58) **Field of Classification Search**
USPC D14/125, 357-358, 496, 188, 242,
D14/432; D13/184; 348/10, 460, 706, 731;
340/825.03; 455/6.1, 6.2; 312/223.1, 7.2
See application file for complete search history.

(56) **References Cited**

U.S. PATENT DOCUMENTS

| | | | | |
|--------------|---------|-------------------|-------|---------|
| D599,753 S * | 9/2009 | Cho et al. | | D14/125 |
| D620,953 S * | 8/2010 | Andre et al. | | D14/496 |
| D624,912 S * | 10/2010 | Chen et al. | | D14/356 |
| D641,025 S * | 7/2011 | Ohno | | D14/502 |
| D641,327 S * | 7/2011 | Falakfarsa et al. | | D14/125 |

| | | | | |
|--------------|---------|--------------------|-------|---------|
| D641,363 S * | 7/2011 | Dublin | | D14/356 |
| D646,272 S * | 10/2011 | Woo et al. | | D14/365 |
| D647,896 S * | 11/2011 | Chen et al. | | D14/314 |
| D648,722 S * | 11/2011 | Meyerhoffer et al. | | D14/346 |
| D657,784 S * | 4/2012 | Akana et al. | | D14/314 |
| D660,834 S | 5/2012 | Akana et al. | | |
| D662,480 S * | 6/2012 | Daniel | | D14/125 |
| D666,563 S * | 9/2012 | Lee | | D14/125 |

* cited by examiner

Primary Examiner — Randall Gholson

(74) *Attorney, Agent, or Firm* — Panasonic Patent Center

(57) **CLAIM**

The ornamental design for a set-top box, as shown and described.

DESCRIPTION

FIG. 1 is a perspective view of a set-top box of the present invention;
FIG. 2 is a front view thereof;
FIG. 3 is a rear view thereof;
FIG. 4 is a first side view thereof;
FIG. 5 is a second side view thereof;
FIG. 6 is a top view thereof; and,
FIG. 7 is a bottom view thereof.

The broken line showing of set-top box is included for the purpose of illustrating environment and forms no part of the claimed design. Additionally, the unevenly broken lines in the drawings define the limits of the claimed design.

1 Claim, 7 Drawing Sheets

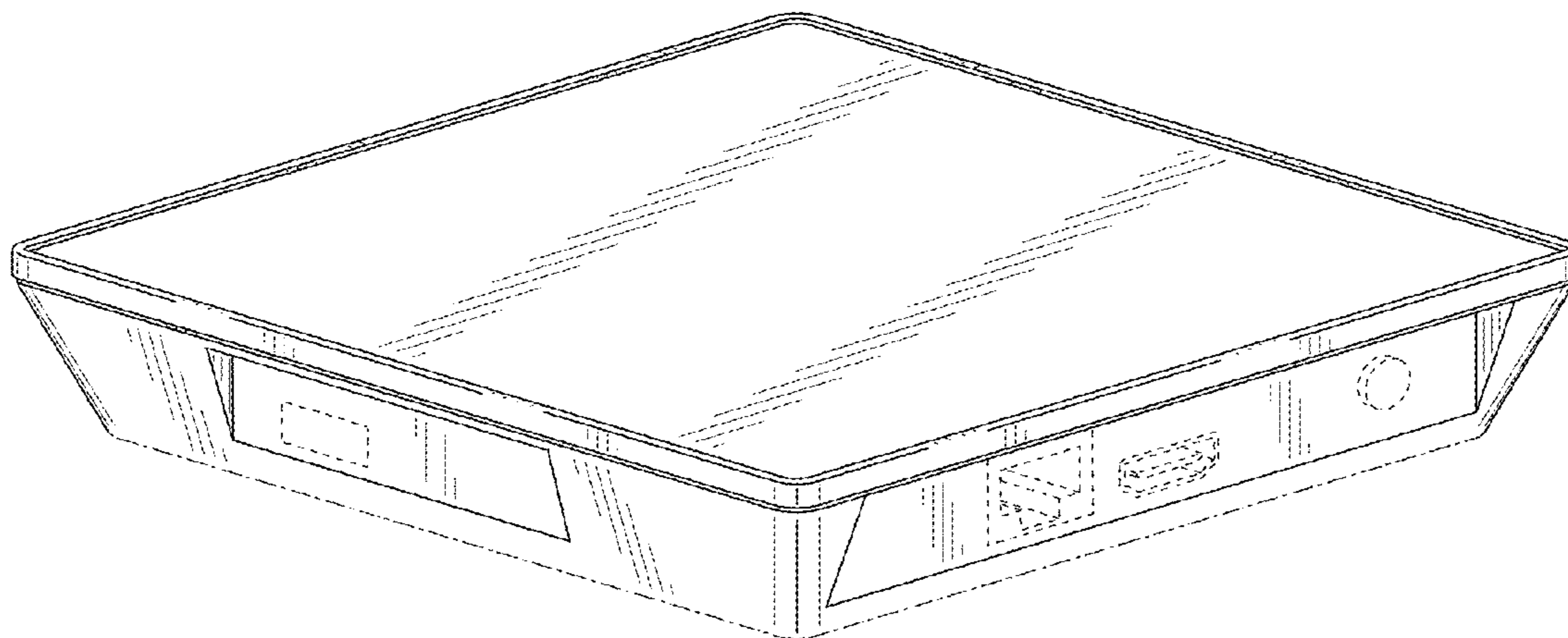


FIG. 1

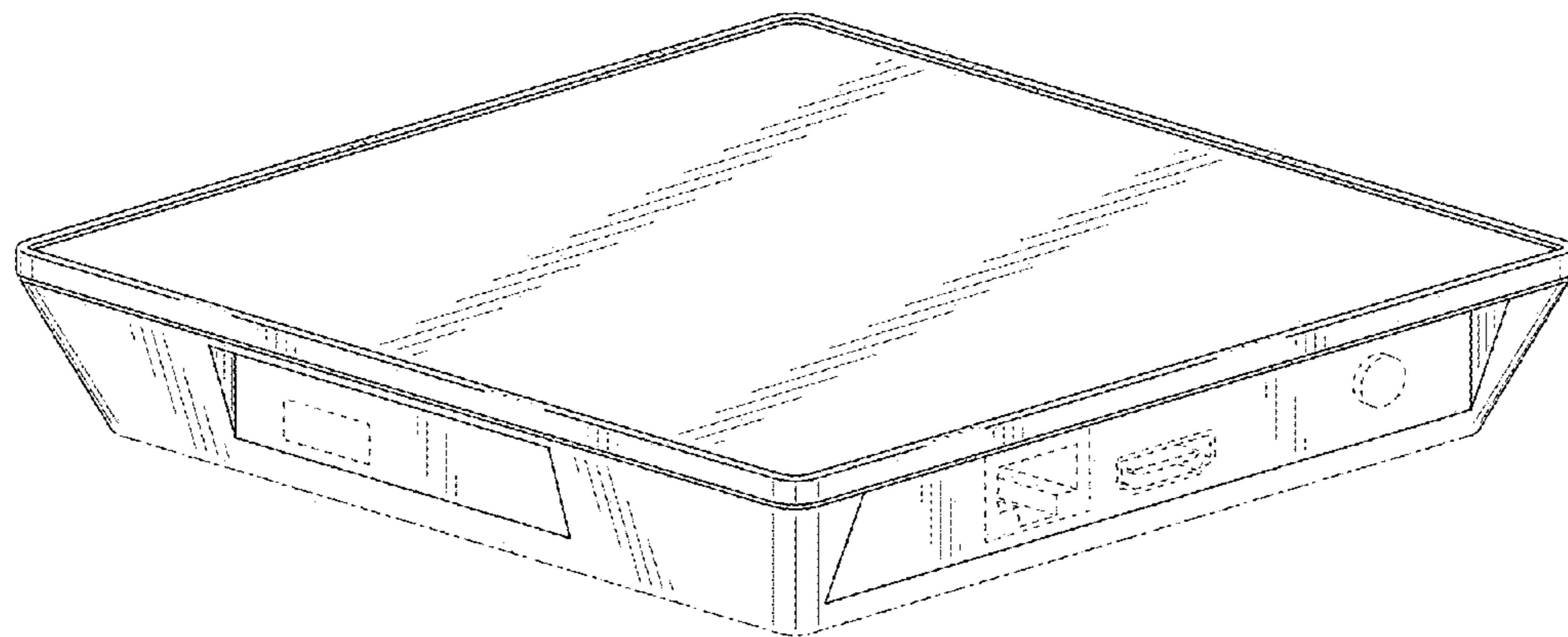


FIG. 2

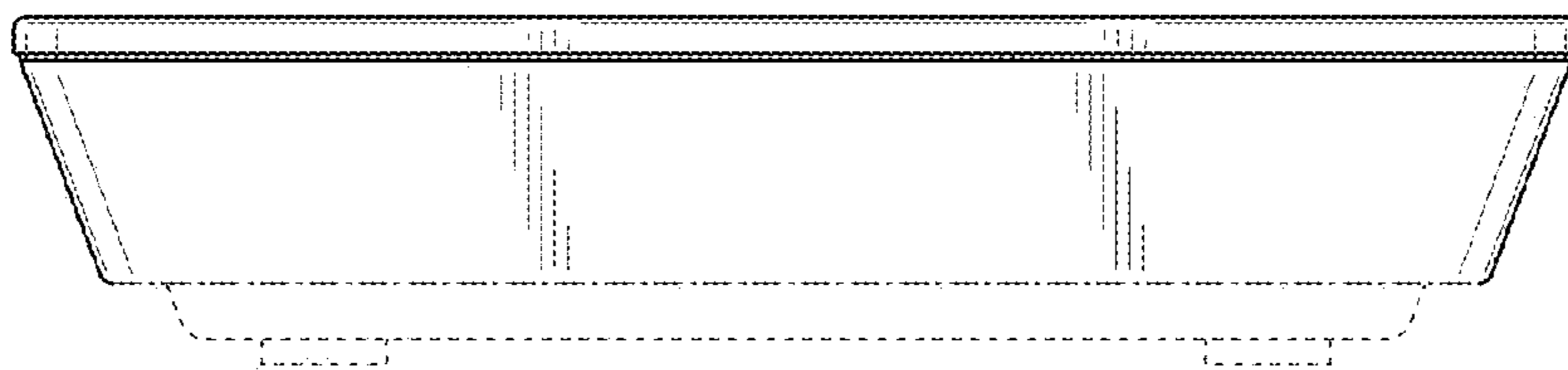


FIG. 3

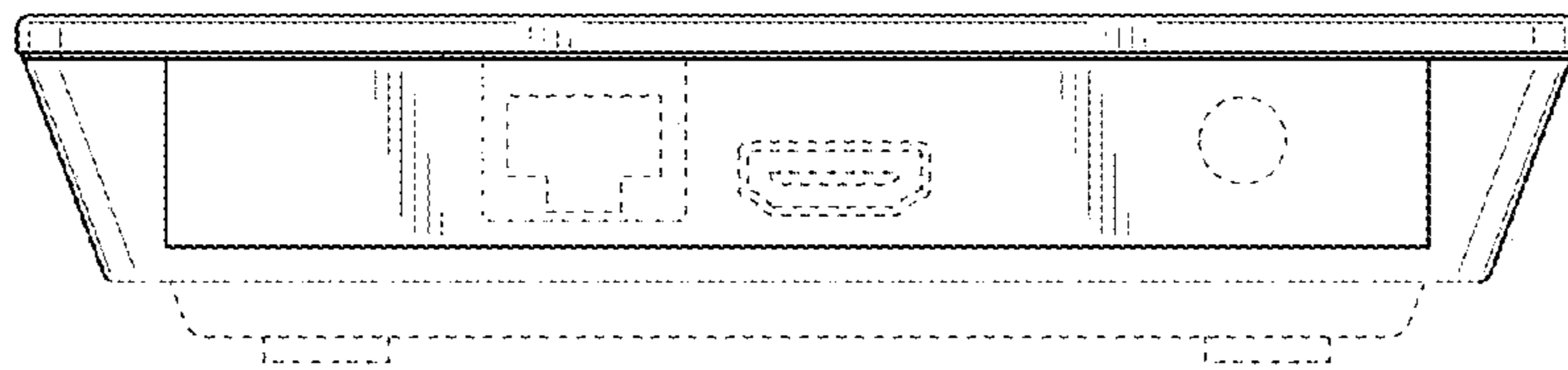


FIG. 4

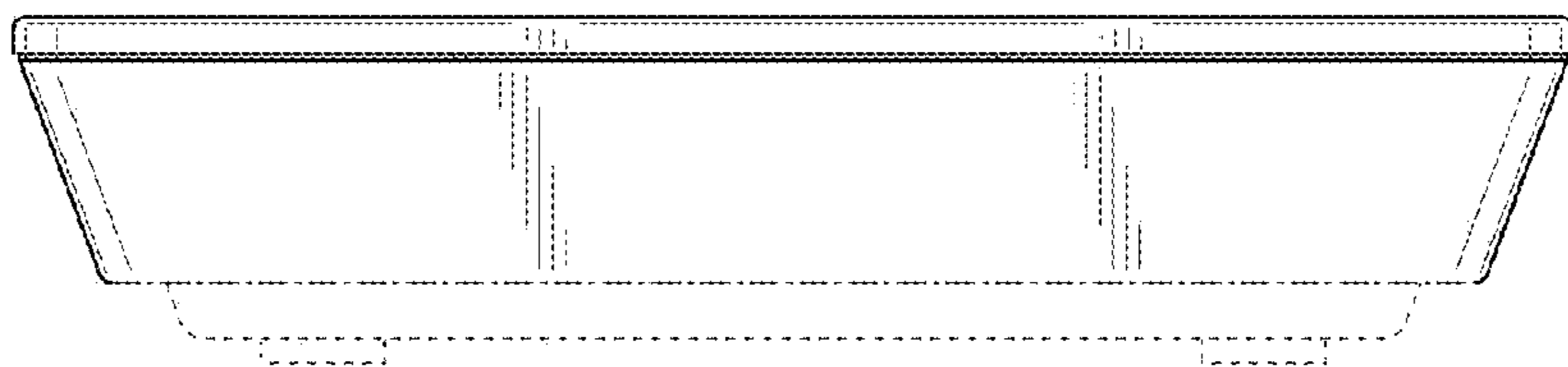


FIG. 5

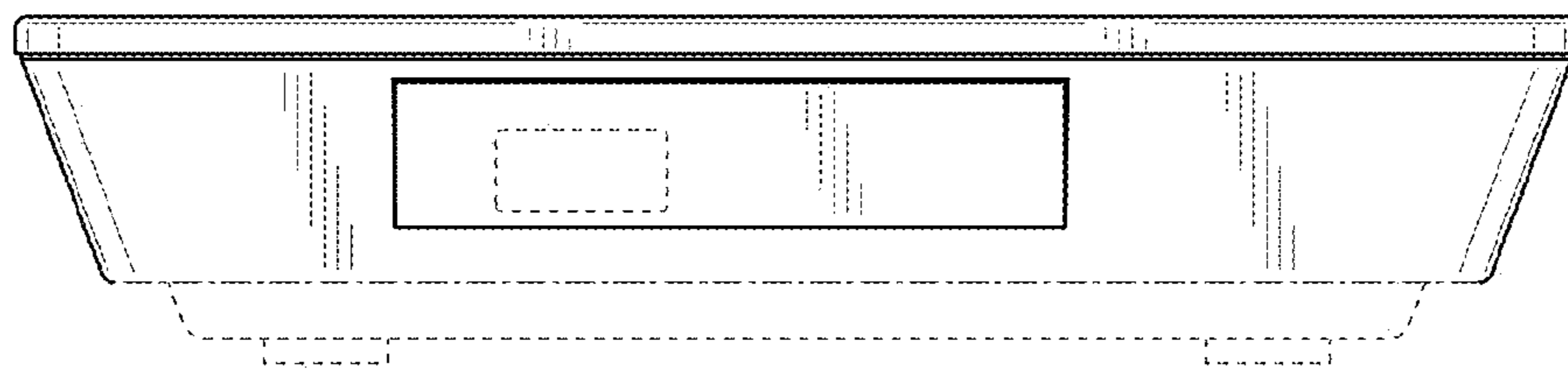


FIG. 6

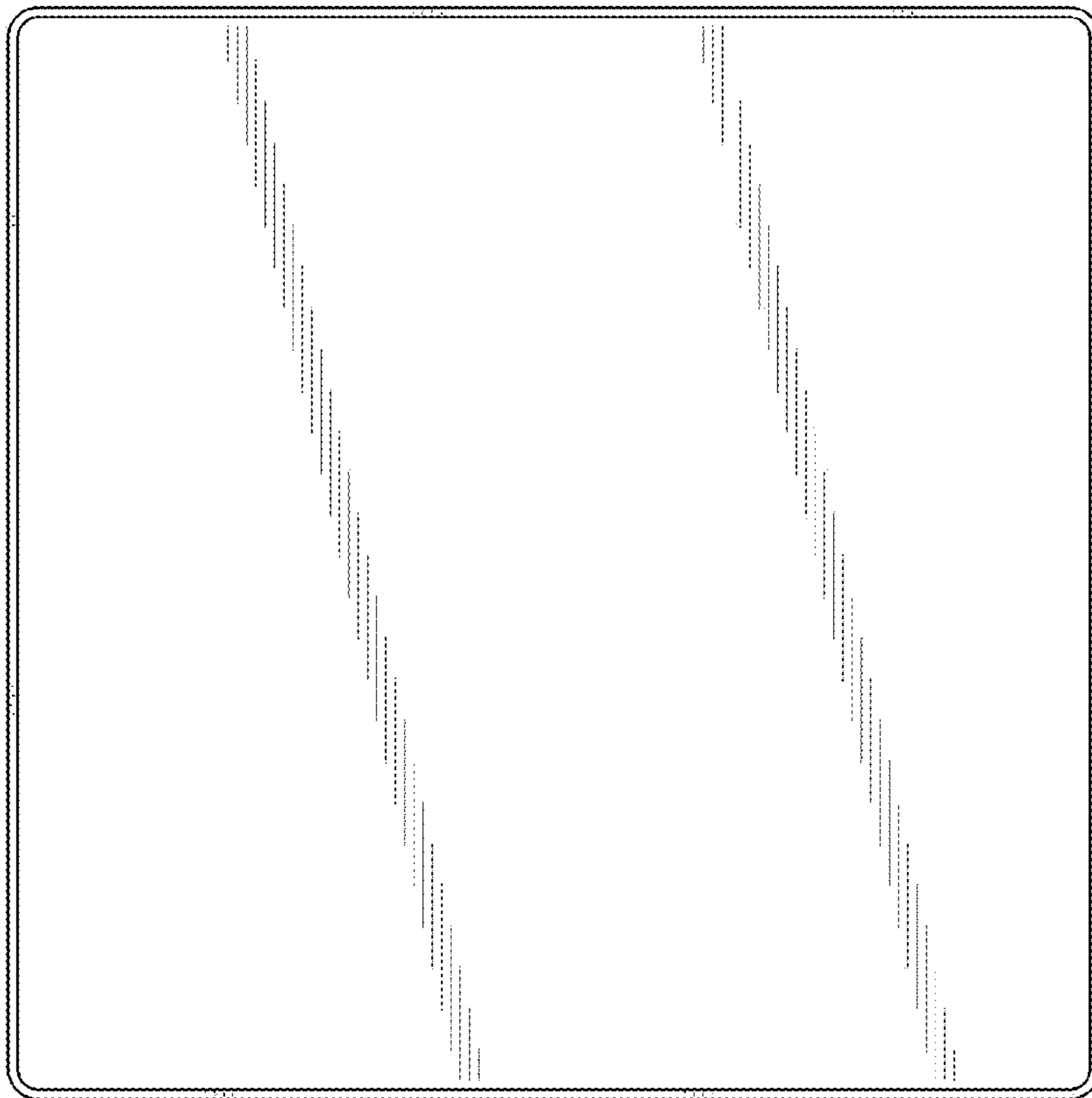


FIG. 7

