

US00D685751S

(12) **United States Design Patent**  
**Wu et al.**

(10) **Patent No.:** **US D685,751 S**  
(45) **Date of Patent:** **\*\* Jul. 9, 2013**

(54) **SUBSTRATE FOR LIGHT EMITTING DIODE**

(56)

**References Cited**

(75) Inventors: **Chun-Te Wu**, Yangmei (TW);  
**Chia-Tsen Huang**, Yangmei (TW);  
**Hsiu-Ju Chang**, Yangmei (TW)

(73) Assignee: **Walsin Lihwa Corporation**, Yangmei,  
Taoyuan County (TW)

(\*\*) Term: **14 Years**

(21) Appl. No.: **29/427,324**

(22) Filed: **Jul. 17, 2012**

(30) **Foreign Application Priority Data**

Mar. 14, 2012 (TW) ..... 101301382

(51) **LOC (9) Cl.** ..... **13-03**

(52) **U.S. Cl.**  
USPC ..... **D13/180**

(58) **Field of Classification Search**  
USPC ..... D13/180; D26/1; 257/79, 80, 81,  
257/88, 89, 95, 98, 99, 100, E33.058; 313/483,  
313/498, 500; 362/555, 800

See application file for complete search history.

U.S. PATENT DOCUMENTS

7,030,423	B2 *	4/2006	Chang et al.	257/98
D536,309	S *	2/2007	Muguruma et al.	D13/180
7,335,522	B2 *	2/2008	Wang et al.	438/26
7,901,993	B2 *	3/2011	Lin et al.	438/118
7,939,375	B2 *	5/2011	Lin et al.	438/118
8,030,676	B2 *	10/2011	Lin	257/99
2005/0135105	A1 *	6/2005	Teixeira et al.	362/294
2011/0121323	A1 *	5/2011	Wu et al.	257/88
2012/0037939	A1 *	2/2012	Urano	257/98

\* cited by examiner

*Primary Examiner* — Selina Sikder

(74) *Attorney, Agent, or Firm* — McClure, Qualey & Rodack, LLP

(57)

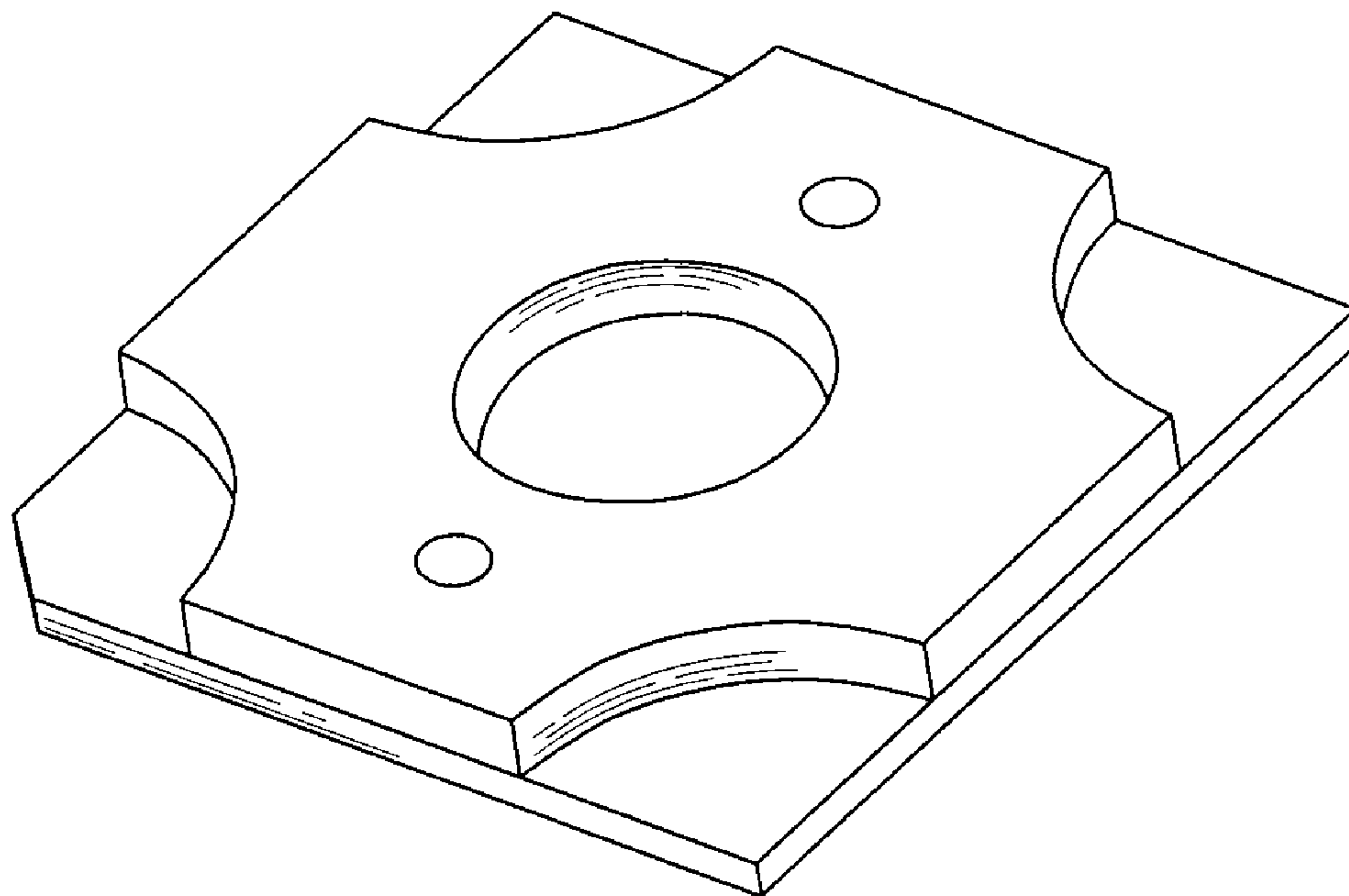
**CLAIM**

The ornamental design for a substrate for the light emitting diode, as shown and described herein.

**DESCRIPTION**

FIG. 1 is a perspective view of a substrate for the light emitting diode showing the claimed design; FIG. 2 is an another perspective view thereof; FIG. 3 is a front elevational view thereof; FIG. 4 is a rear elevational view thereof; FIG. 5 is a left side elevational view thereof; FIG. 6 is a right side elevational view thereof; FIG. 7 is a top plan view thereof; and, FIG. 8 is a bottom plan view thereof.

**1 Claim, 4 Drawing Sheets**



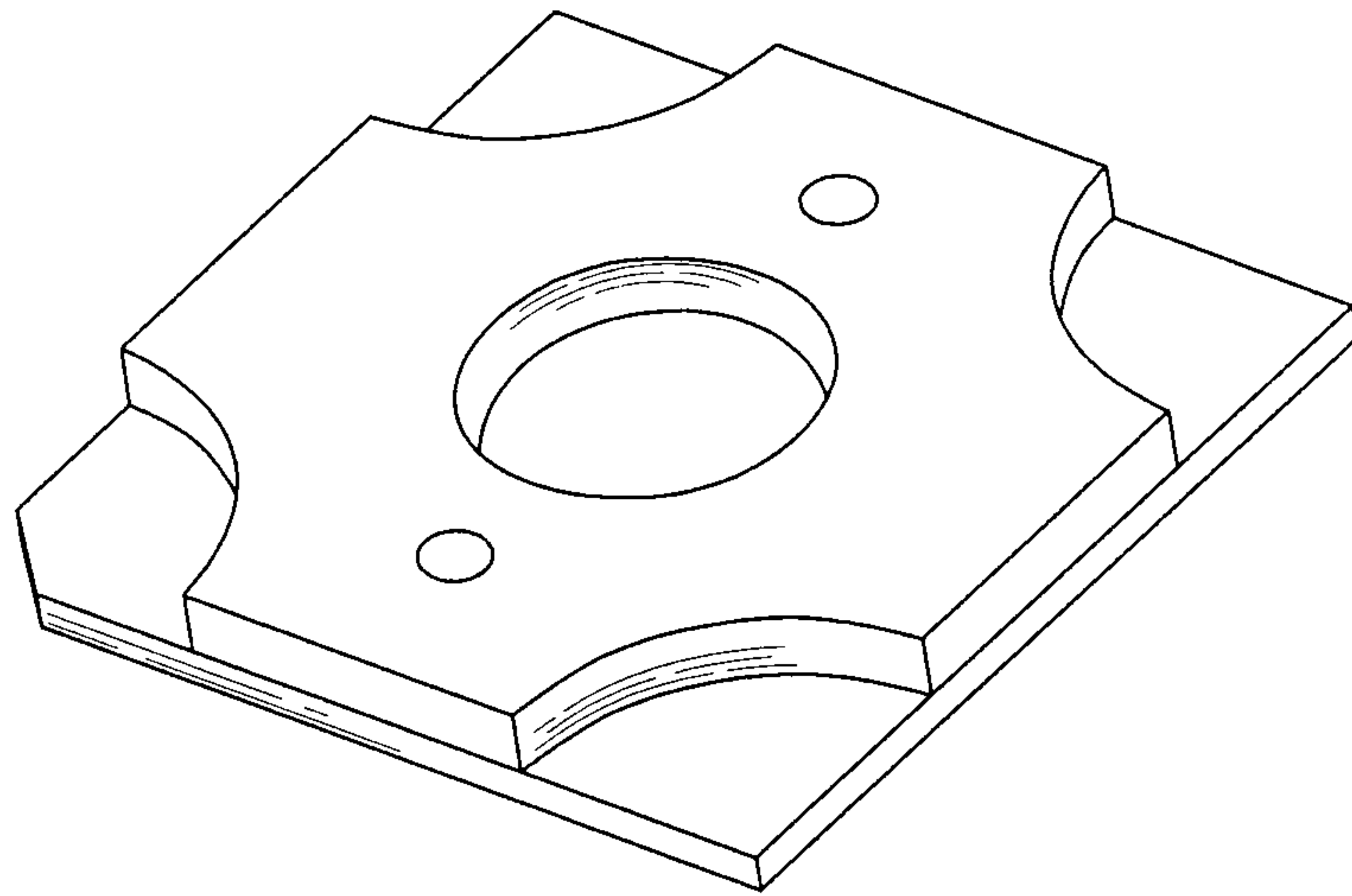


FIG. 1

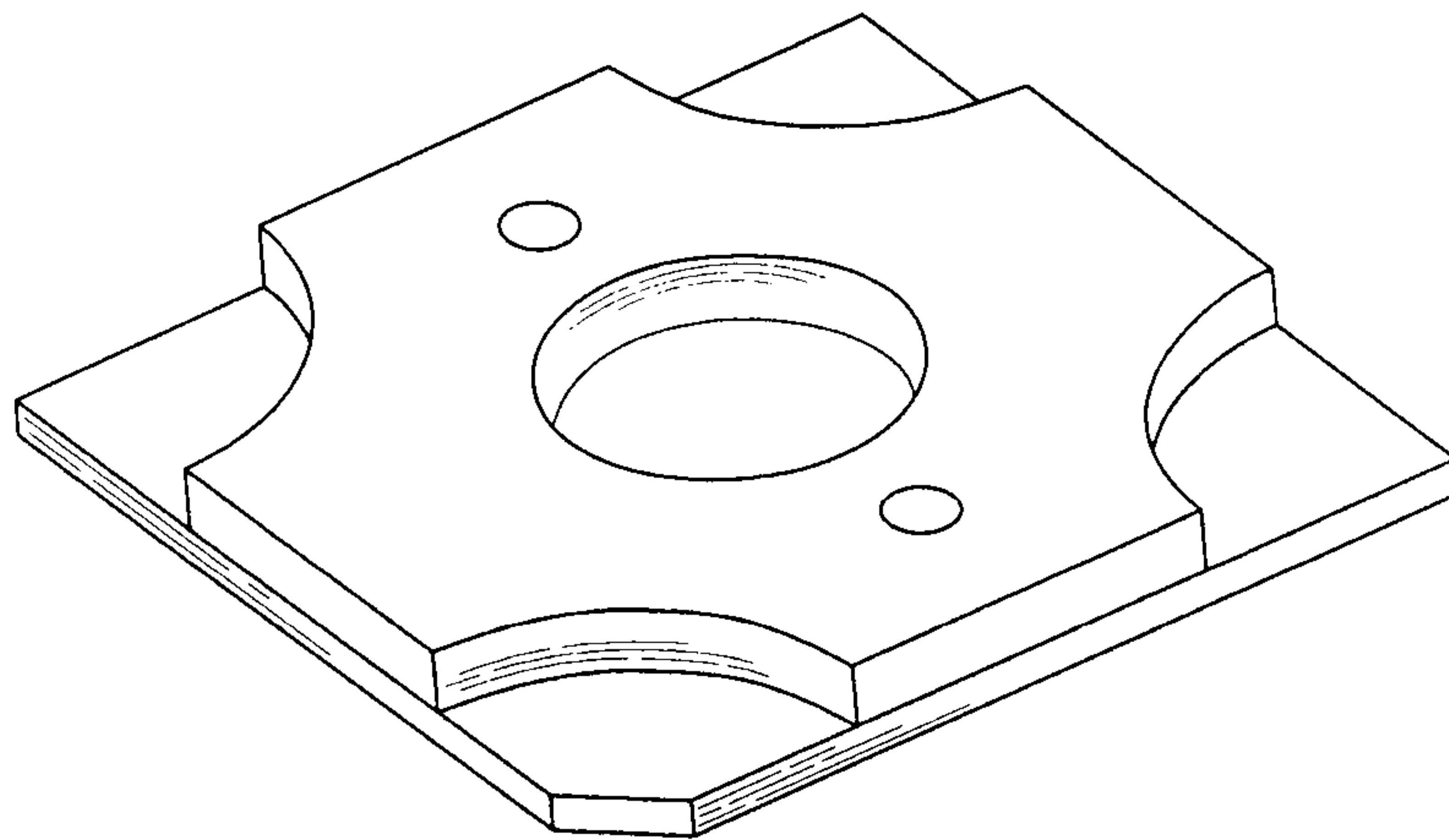


FIG. 2

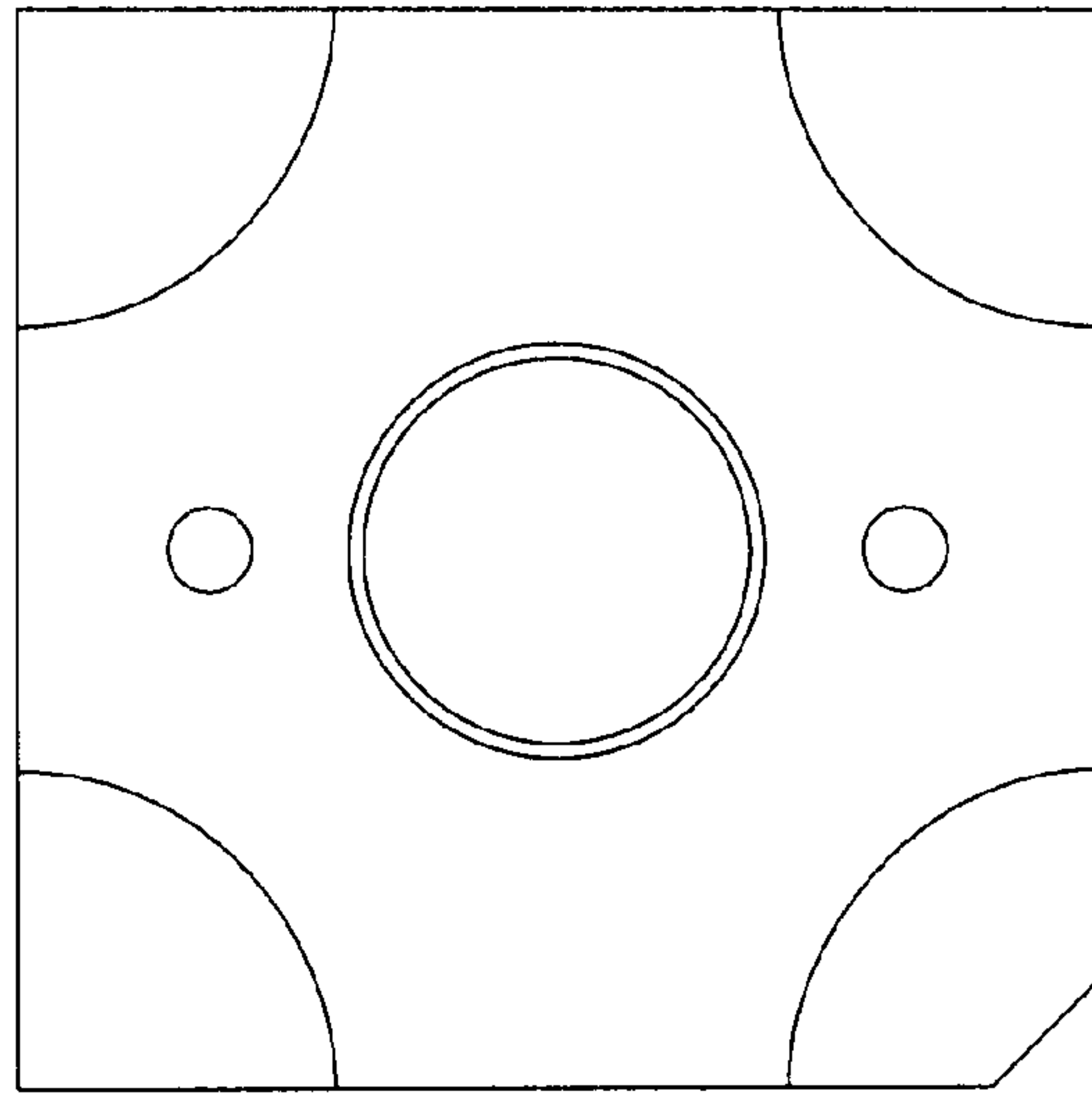


FIG. 3

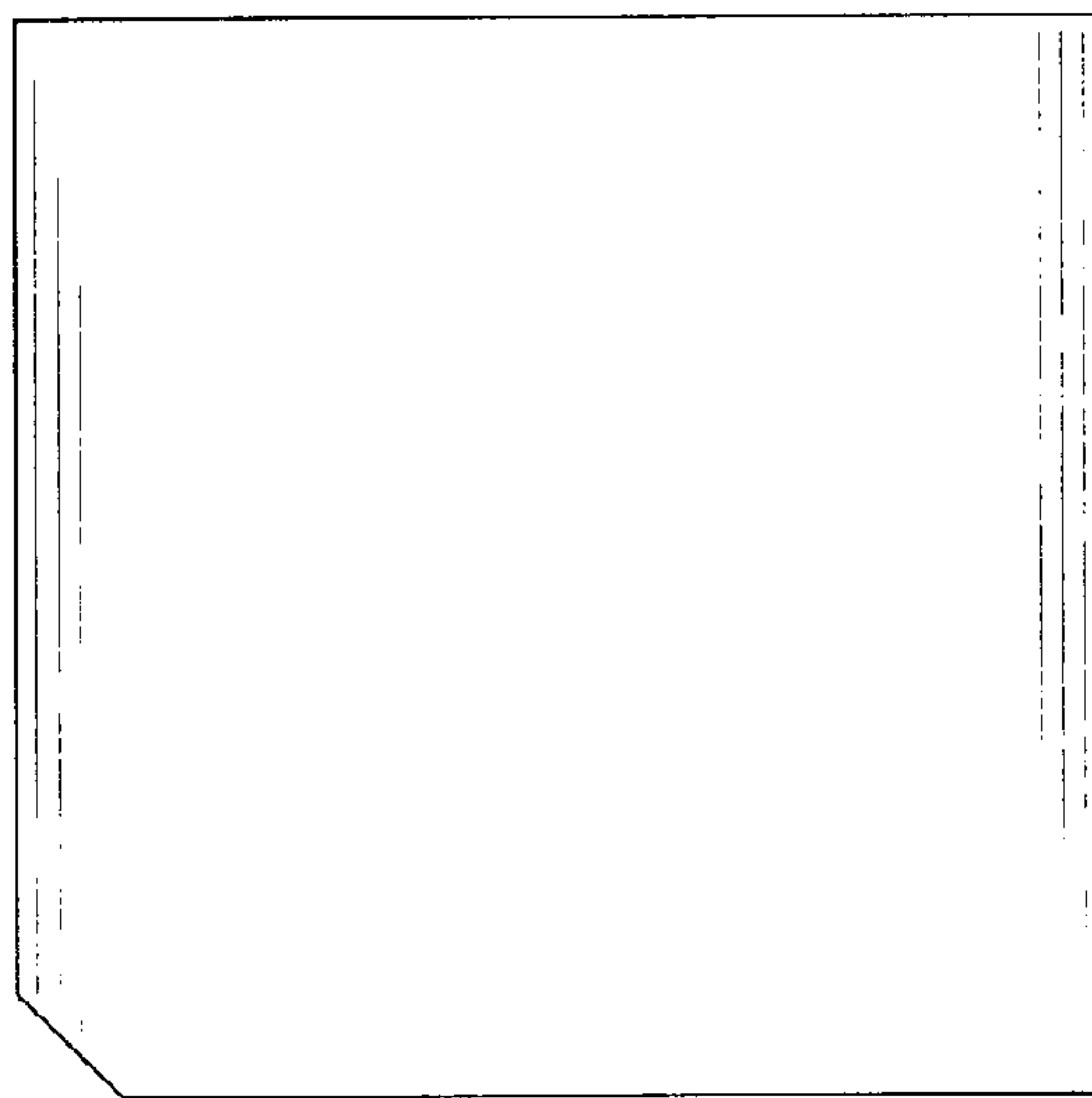


FIG. 4

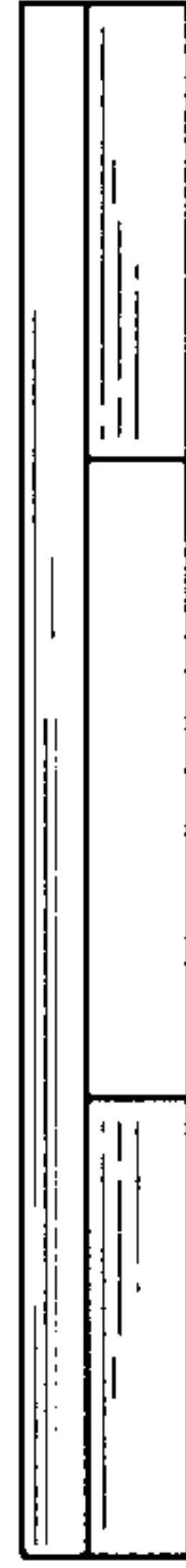


FIG.5

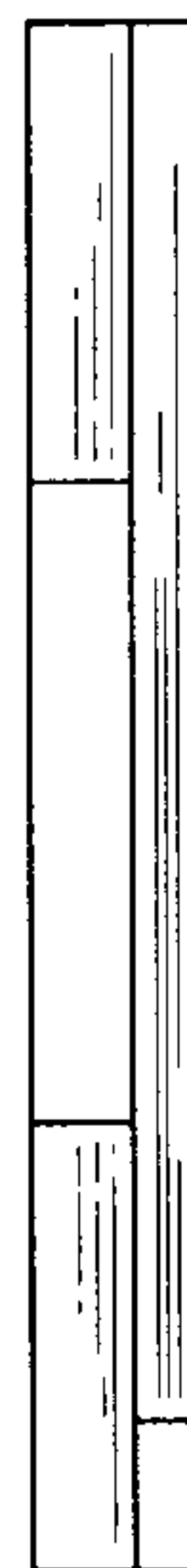


FIG.6

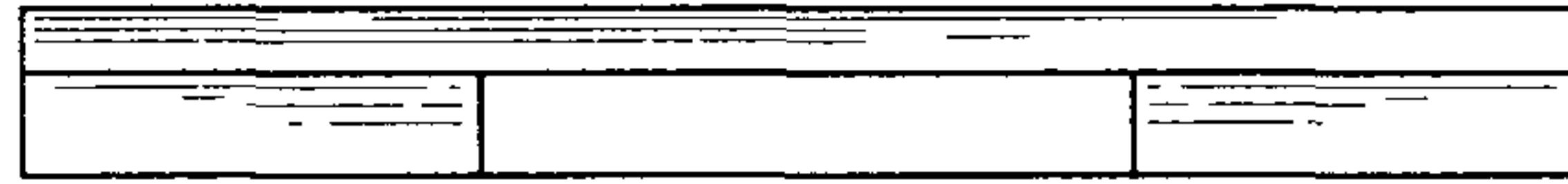


FIG. 7

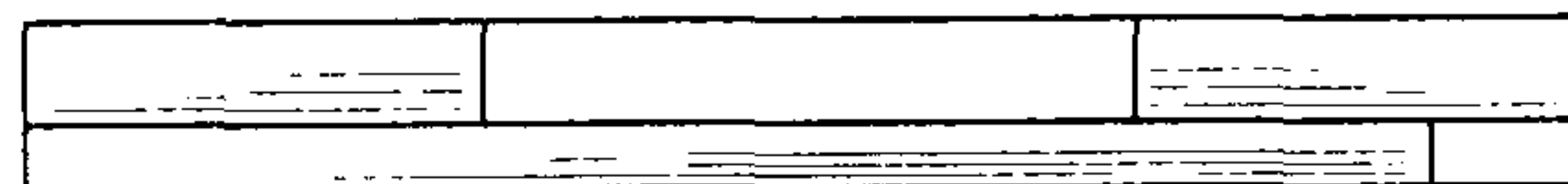


FIG. 8