



US00D685744S

(12) **United States Design Patent**
Kajiura et al.

(10) **Patent No.:** **US D685,744 S**
(45) **Date of Patent:** **** Jul. 9, 2013**

- (54) **ELECTRICAL TERMINAL**
- (71) Applicants: **Motomu Kajiura**, Tokyo (JP);
Yasutoshi Kameda, Kisarazu (JP);
Jeffery Garvais, Beaverton, OR (US)
- (72) Inventors: **Motomu Kajiura**, Tokyo (JP);
Yasutoshi Kameda, Kisarazu (JP);
Jeffery Garvais, Beaverton, OR (US)
- (73) Assignees: **FCI**, Guyancourt (FR); **FCI Americas Technology LLC**, Carson City, NV (US)
- (**) Term: **14 Years**
- (21) Appl. No.: **29/437,750**
- (22) Filed: **Nov. 20, 2012**

- D409,143 S 5/1999 Yoshiura
- D410,226 S 5/1999 Yoshiura
- 6,083,059 A 7/2000 Kuan
- 6,129,168 A 10/2000 Lotito et al.

(Continued)

OTHER PUBLICATIONS

U.S. Appl. No. 29/384,325, filed Jan. 28, 2011, de Bruijn et al.

(Continued)

Primary Examiner — Daniel Bui

(74) *Attorney, Agent, or Firm* — Woodcock Washburn LLP

(57) **CLAIM**

The ornamental design for an electrical terminal, as shown and described.

DESCRIPTION

The present application is related by subject matter to design patent applications entitled “Electrical Connector” filed on even date herewith under 29/393,276, “Electrical Connector” filed on even date herewith under 29/393,280, “Electrical Terminals for Electrical Connector” filed on even date herewith under 29/393,282, “Electrical Terminal” filed on even date herewith under 29/393,269, “Electrical Terminal” filed on even date herewith under 29/393,278, “Electrical Terminal” filed on even date herewith under 29/393,281, and “Electrical Terminal” filed on even date herewith under 29/393,283.

FIG. 1 is a top, right, front perspective view of an electrical terminal showing our new design;

FIG. 2 is a bottom, left, rear perspective view thereof;

FIG. 3 is a front elevation view thereof;

FIG. 4 is a rear elevation view thereof;

FIG. 5 is a left side elevation view thereof;

FIG. 6 is a right side elevation view thereof;

FIG. 7 is a top plan view thereof; and,

FIG. 8 is a bottom plan view thereof.

The broken line portion of the figure drawings is included to show unclaimed subject matter only and forms no part of the claimed design.

1 Claim, 2 Drawing Sheets

Related U.S. Application Data

(63) Continuation of application No. 29/393,270, filed on Jun. 1, 2011, now Pat. No. Des. 671,501.

(51) **LOC (9) Cl.** **13-03**

(52) **U.S. Cl.**
USPC **D13/154**

(58) **Field of Classification Search**

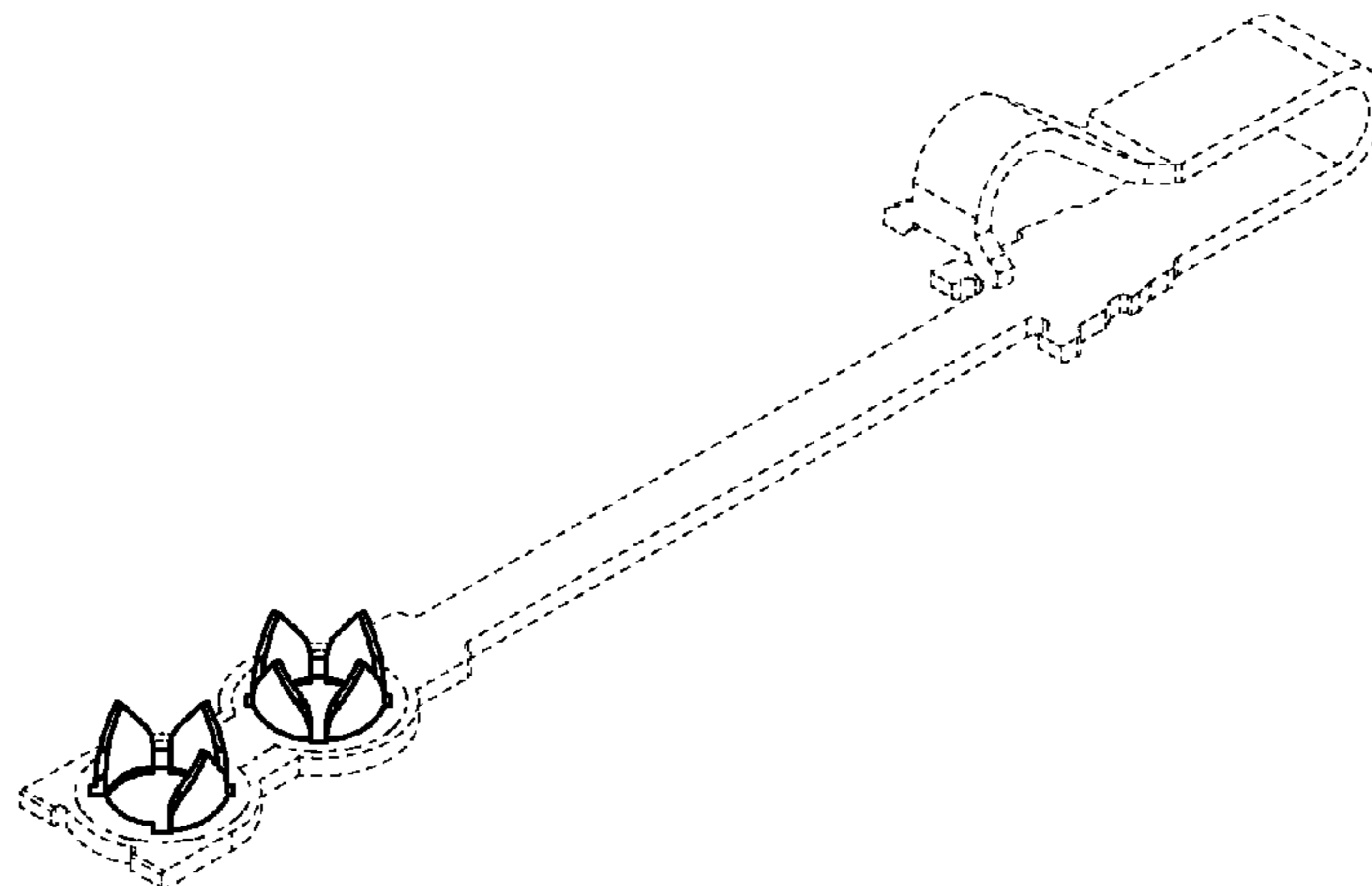
USPC D13/120, 147, 154, 184, 199; 439/607.01, 439/607.04, 607.05, 607.17, 607.25, 607.34, 439/607.41, 607.53, 839, 849, 850, 852, 439/862, 870, 877, 884, 885, 887, 888, 889, 439/890, 891

See application file for complete search history.

(56) **References Cited**

U.S. PATENT DOCUMENTS

- 3,612,747 A 10/1971 Shlesinger, Jr.
- D227,767 S 7/1973 Gillespie
- 4,171,858 A 10/1979 Knwles et al.
- 4,560,226 A 12/1985 Dennis
- 4,749,368 A 6/1988 Mouissie
- 5,567,545 A 10/1996 Murakami
- 5,631,098 A 5/1997 Suzuki
- D408,353 S 4/1999 Yoshiura



US D685,744 S

Page 2

U.S. PATENT DOCUMENTS

D447,122 S 8/2001 Harasawa et al.
6,315,621 B1 11/2001 Natori et al.
D473,192 S 4/2003 Ouchi et al.
D481,996 S 11/2003 Kihira et al.
D485,807 S 1/2004 Kao et al.
6,835,089 B2 12/2004 Hayes et al.
6,932,382 B2 8/2005 Hayes et al.
7,001,205 B2 2/2006 Godefroy et al.
D528,985 S 9/2006 Peng
D529,443 S 10/2006 Chien
D530,679 S 10/2006 Li et al.
D538,228 S 3/2007 Wang et al.
D555,093 S 11/2007 Chien et al.
D555,095 S 11/2007 Ho
D555,096 S 11/2007 Peng
D555,131 S 11/2007 Kim et al.
D556,131 S 11/2007 Chien
D556,135 S 11/2007 Dwan et al.
D559,180 S 1/2008 Lai et al.
7,335,068 B2 2/2008 Dwan et al.
D568,246 S 5/2008 Wu et al.
D568,248 S 5/2008 Chen et al.
D569,343 S 5/2008 Hung et al.
D569,801 S 5/2008 Chuang
D569,802 S 5/2008 Long et al.
D570,288 S 6/2008 Ma et al.
D582,348 S 12/2008 Shiu
D584,231 S 1/2009 Wu
D584,237 S 1/2009 Zhu
D586,294 S 2/2009 Lung
D596,575 S 7/2009 Chen et al.
D601,970 S 10/2009 Peng et al.
D601,971 S 10/2009 Chen et al.
D603,795 S 11/2009 Kono
D605,137 S 12/2009 Yu et al.

D607,834 S 1/2010 Huang
D607,835 S 1/2010 Huang
D608,295 S 1/2010 Huang
7,662,507 B2 2/2010 Schwendinger et al.
D614,493 S 4/2010 Creed et al.
D614,507 S 4/2010 Lukan et al.
D614,583 S 4/2010 Wang
D615,493 S 5/2010 Kalis
D618,173 S 6/2010 Wang et al.
D619,538 S 7/2010 Peng
D642,981 S 8/2011 de Bruijn et al.
D644,177 S 8/2011 de Bruijn et al.
D647,863 S 11/2011 Su et al.
D649,517 S 11/2011 de Bruijn et al.
D664,177 S 7/2012 Oikawa et al.
D666,975 S 9/2012 de Bruijn et al.
D668,615 S 10/2012 Kajiura et al.
D668,619 S 10/2012 Kajiura et al.
D669,859 S 10/2012 Kajiura et al.
D670,654 S 11/2012 Kajiura et al.
D671,501 S * 11/2012 Kajiura et al. D13/154
D672,724 S 12/2012 Kajiura et al.
D673,913 S 1/2013 Kajiura et al.
2004/0038121 A1 2/2004 Song et al.
2007/0243458 A1 10/2007 Roehm et al.
2008/0193837 A1 8/2008 Lu
2012/0058668 A1 3/2012 de Bruijn et al.

OTHER PUBLICATIONS

U.S. Appl. No. 29/393,269, filed Jun. 1, 2011, Kameda et al.
U.S. Appl. No. 29/393,278, filed Jun. 1, 2011, Kameda et al.
U.S. Appl. No. 29/393,281, filed Jun. 1, 2011, Kameda et al.
U.S. Appl. No. 29/393,283, filed Jun. 1, 2011, Kameda et al.

* cited by examiner

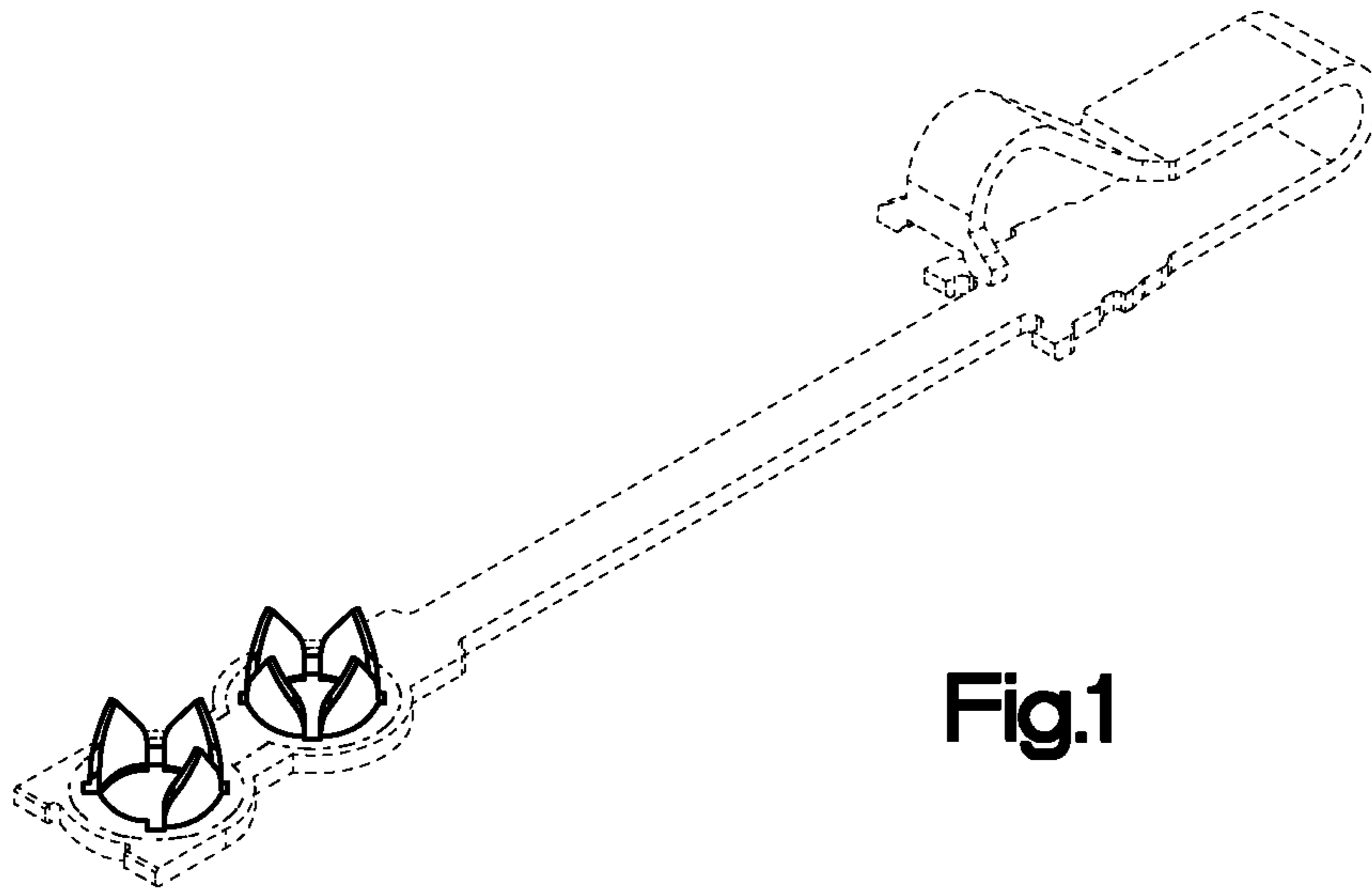


Fig.1

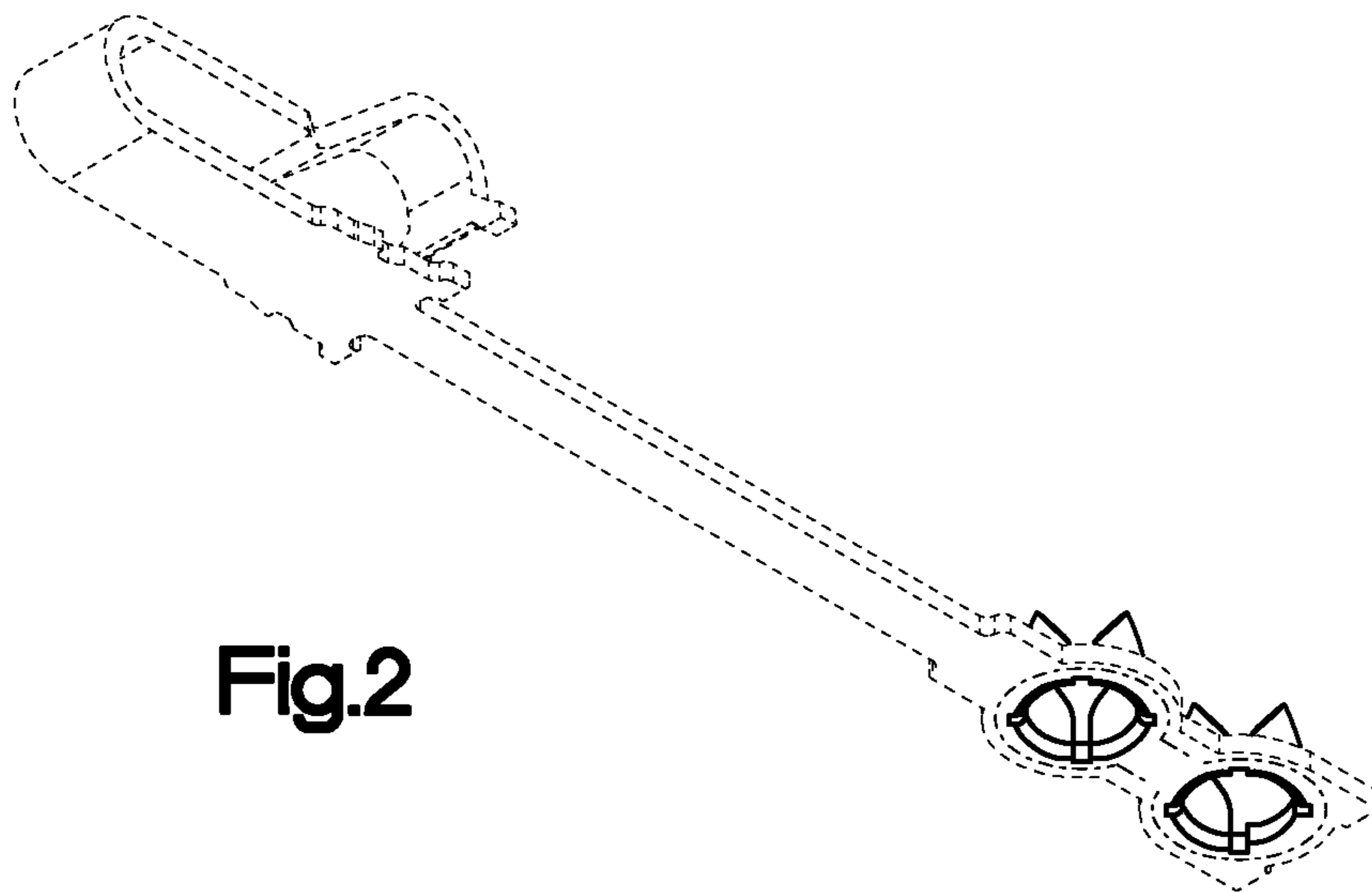


Fig.2

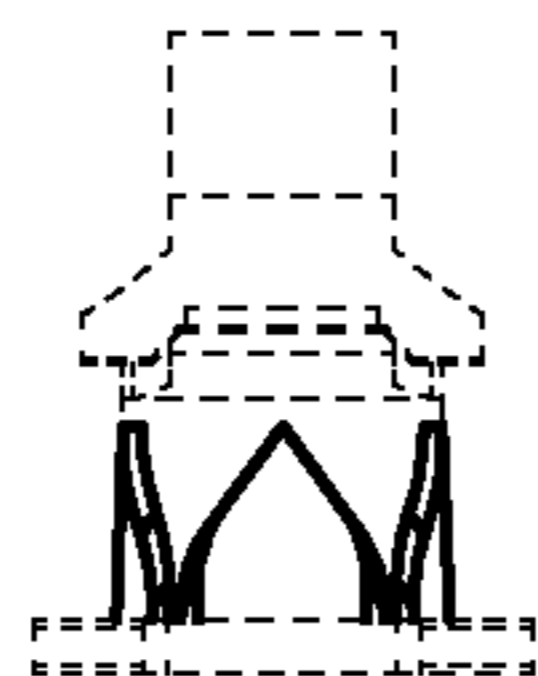


Fig.3

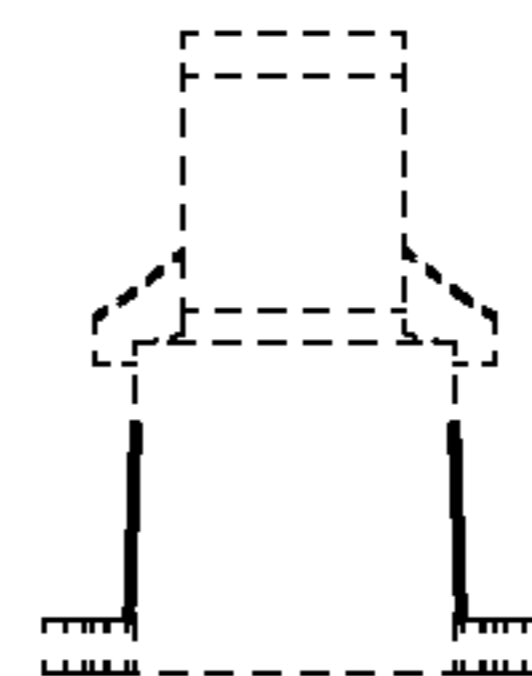


Fig.4



Fig.5



Fig.6



Fig.7

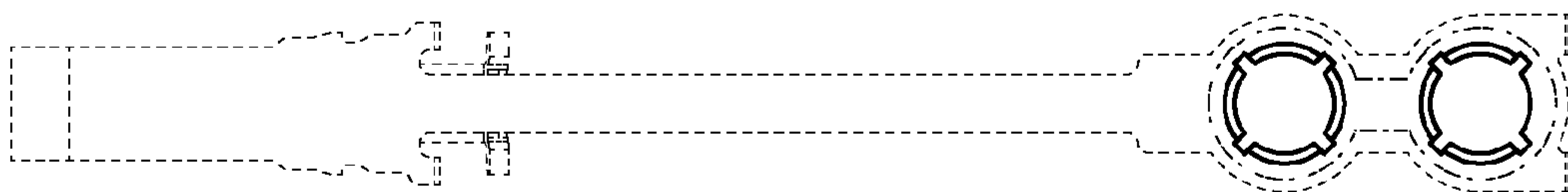


Fig.8