



US00D685743S

(12) **United States Design Patent**
Honda et al.

(10) **Patent No.:** **US D685,743 S**
(45) **Date of Patent:** **** Jul. 9, 2013**

(54) **ELECTRICAL CONNECTOR**

(75) Inventors: **Yosuke Honda**, Tokyo (JP); **Kazuhito Hisamatsu**, Tokyo (JP)

(73) Assignee: **Japan Aviation Electronics Industry, Limited**, Tokyo (JP)

(**) Term: **14 Years**

(21) Appl. No.: **29/418,357**

(22) Filed: **Apr. 16, 2012**

(30) **Foreign Application Priority Data**

Oct. 24, 2011 (JP) 2011-024340

(51) **LOC (9) Cl.** **13-03**

(52) **U.S. Cl.**
USPC **D13/147**

(58) **Field of Classification Search**
USPC D13/147, 154, 184, 199; 439/79,
439/159-160, 260, 278, 325, 328-329, 381,
439/395, 422, 492, 495, 499, 630, 862, 892,
439/894

See application file for complete search history.

(56) **References Cited**

U.S. PATENT DOCUMENTS

| | | | | | |
|----------|---|---|---------|-----------------------|---------|
| D455,400 | S | * | 4/2002 | Hisatomi et al. | D13/147 |
| D497,596 | S | * | 10/2004 | Hisamatsu et al. | D13/147 |
| D502,920 | S | | 3/2005 | Kimura et al. | |
| D533,138 | S | * | 12/2006 | Yoshikai | D13/147 |
| D541,750 | S | * | 5/2007 | Yoshikai | D13/147 |
| D629,759 | S | * | 12/2010 | Hara | D13/147 |
| D652,386 | S | * | 1/2012 | Ozeki | D13/147 |

* cited by examiner

Primary Examiner — Daniel Bui

(74) *Attorney, Agent, or Firm* — Cermak Nakajima LLP;
Tomoko Nakajima

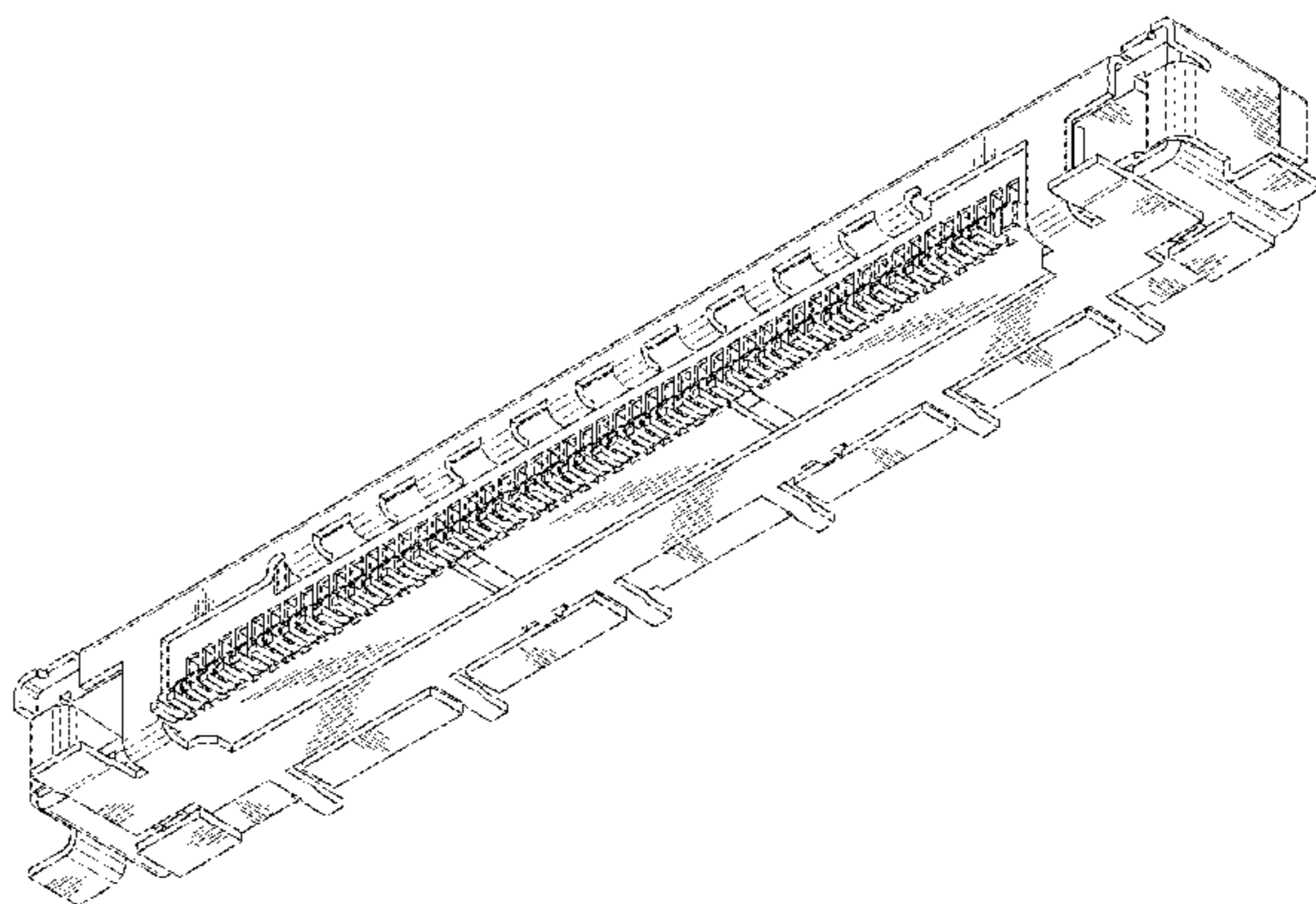
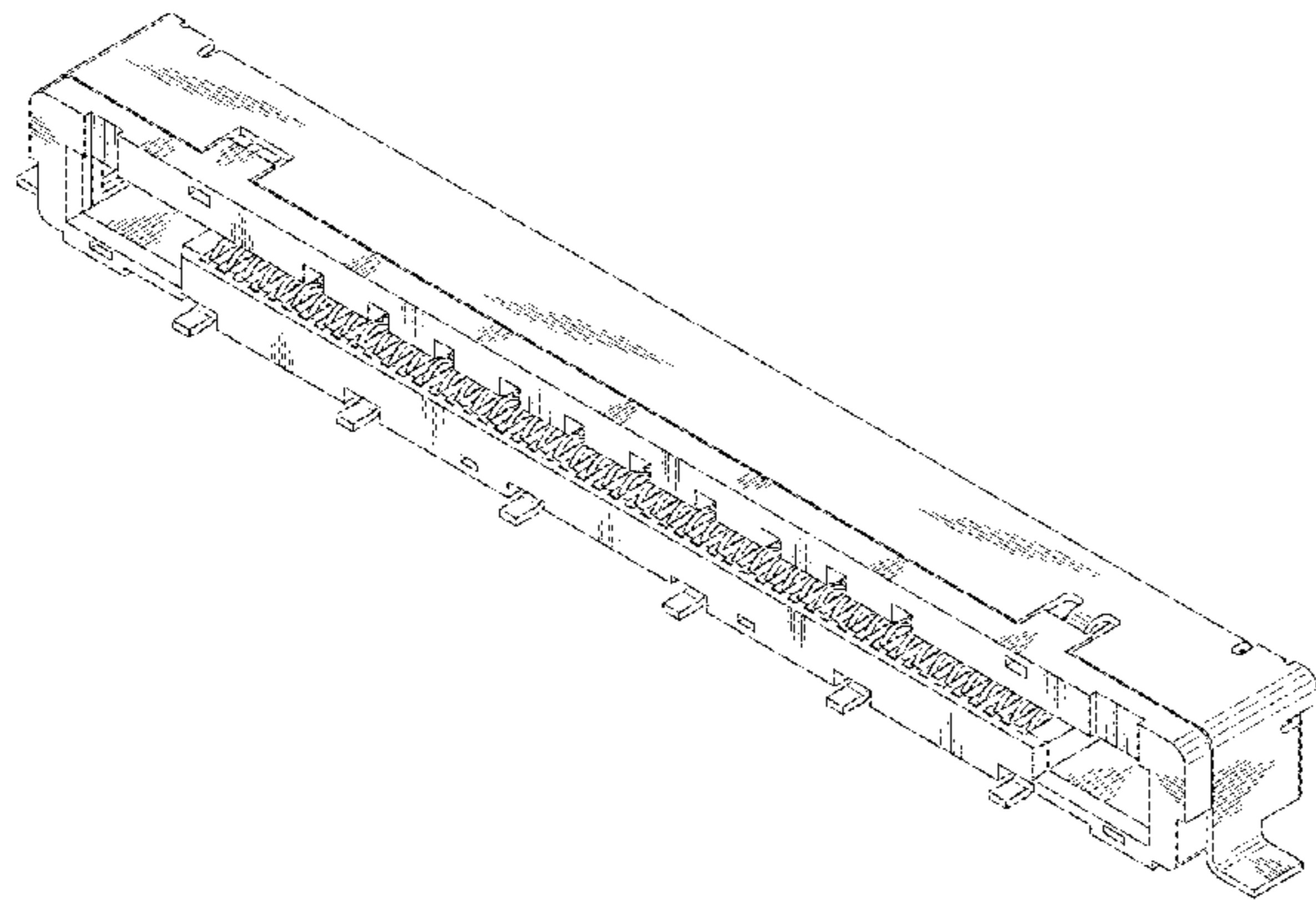
(57) **CLAIM**

The ornamental design for an electrical connector, as shown.

DESCRIPTION

FIG. 1 is a front elevational view of an electrical connector showing our new design;
FIG. 2 is a top plan view thereof;
FIG. 3 is a right side elevational view thereof;
FIG. 4 is a left side elevational view thereof;
FIG. 5 is a rear elevational view thereof; and
FIG. 6 is a bottom plan view thereof.
FIG. 7 is a front and top perspective view thereof;
FIG. 8 is a front and bottom perspective view thereof;
FIG. 9 is a rear and top perspective view thereof; and
FIG. 10 is a rear and bottom perspective view thereof.

1 Claim, 10 Drawing Sheets



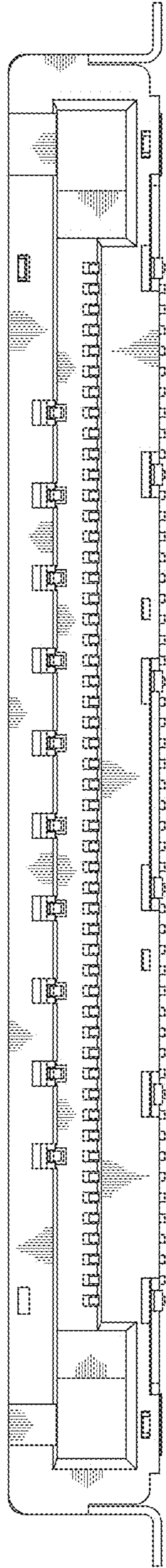


FIG.1

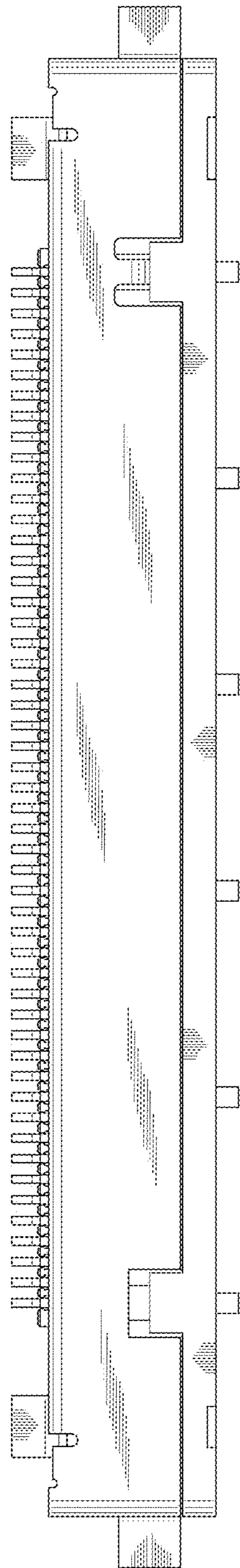


FIG.2

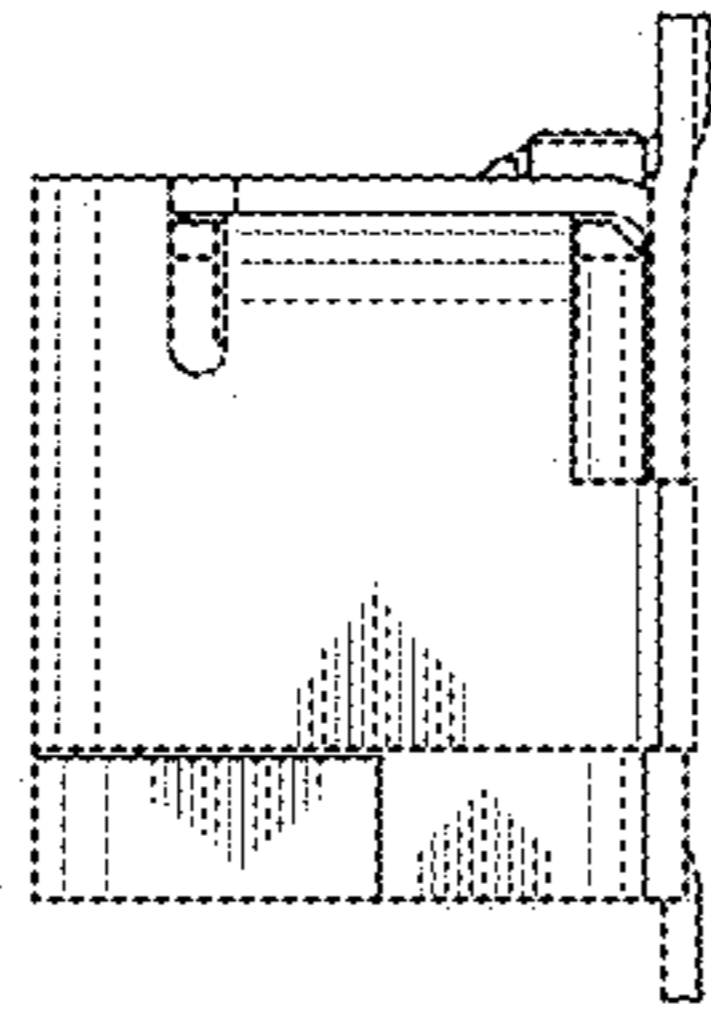


FIG.3

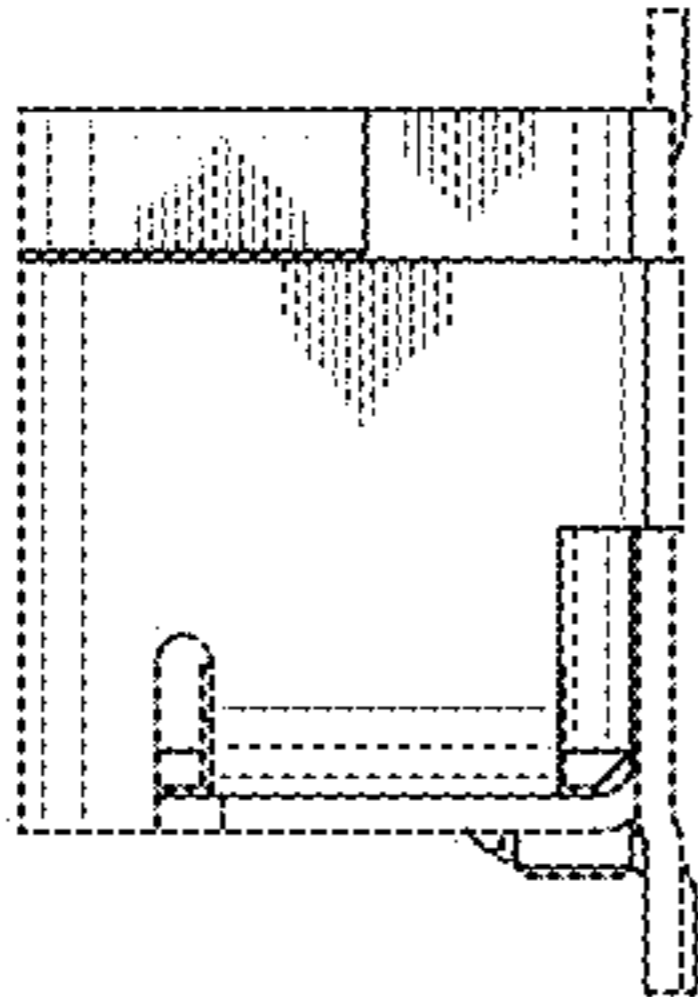


FIG.4

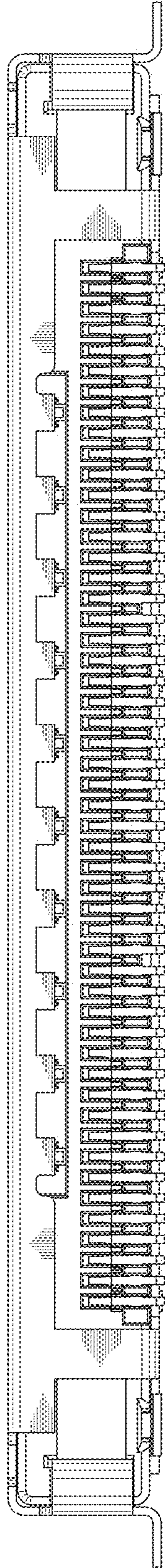


FIG. 5

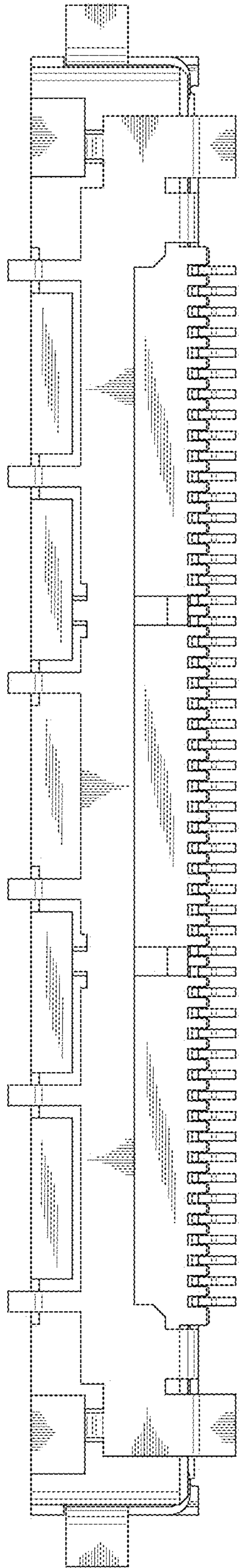


FIG.6

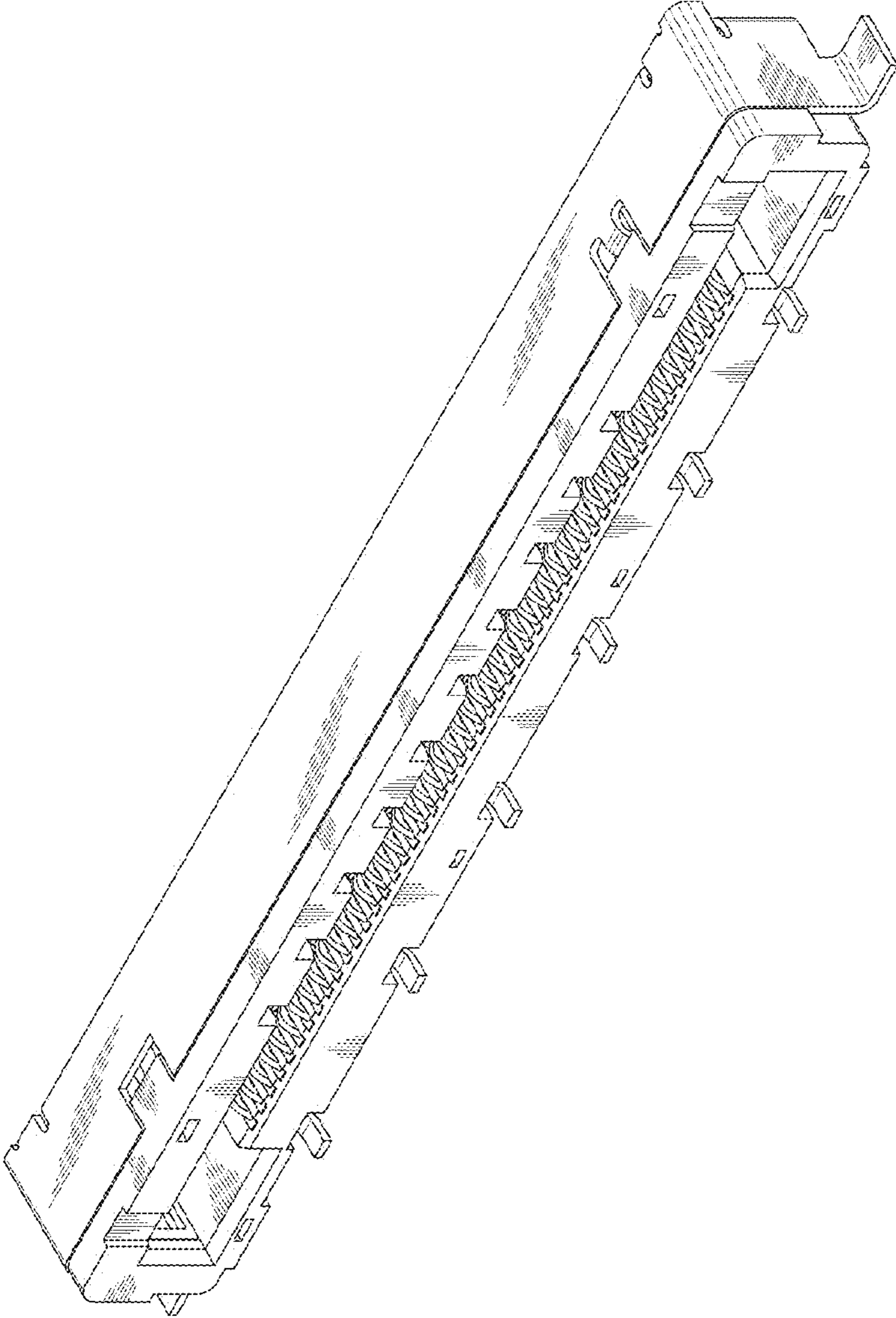


FIG.7

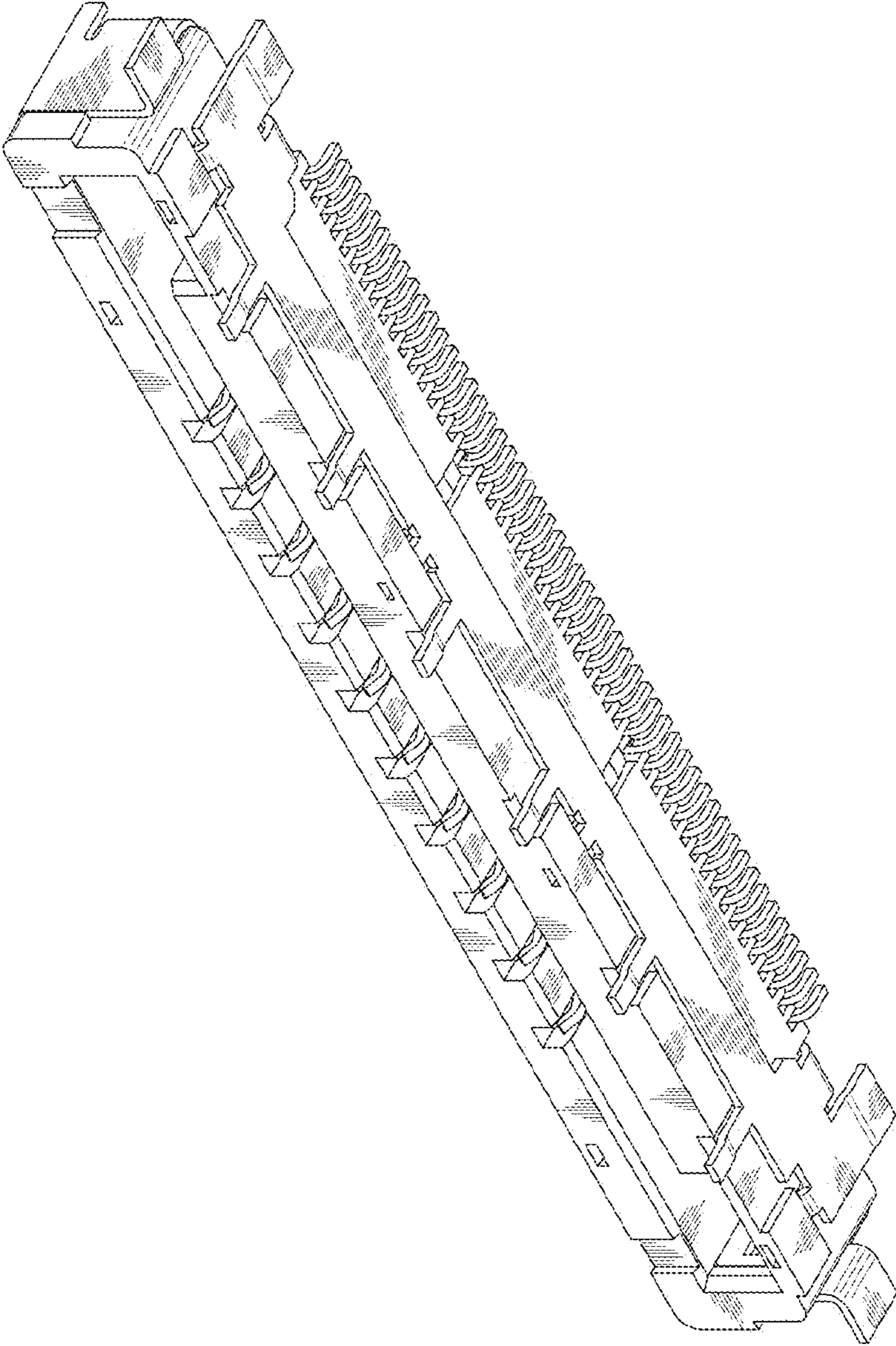


FIG.8

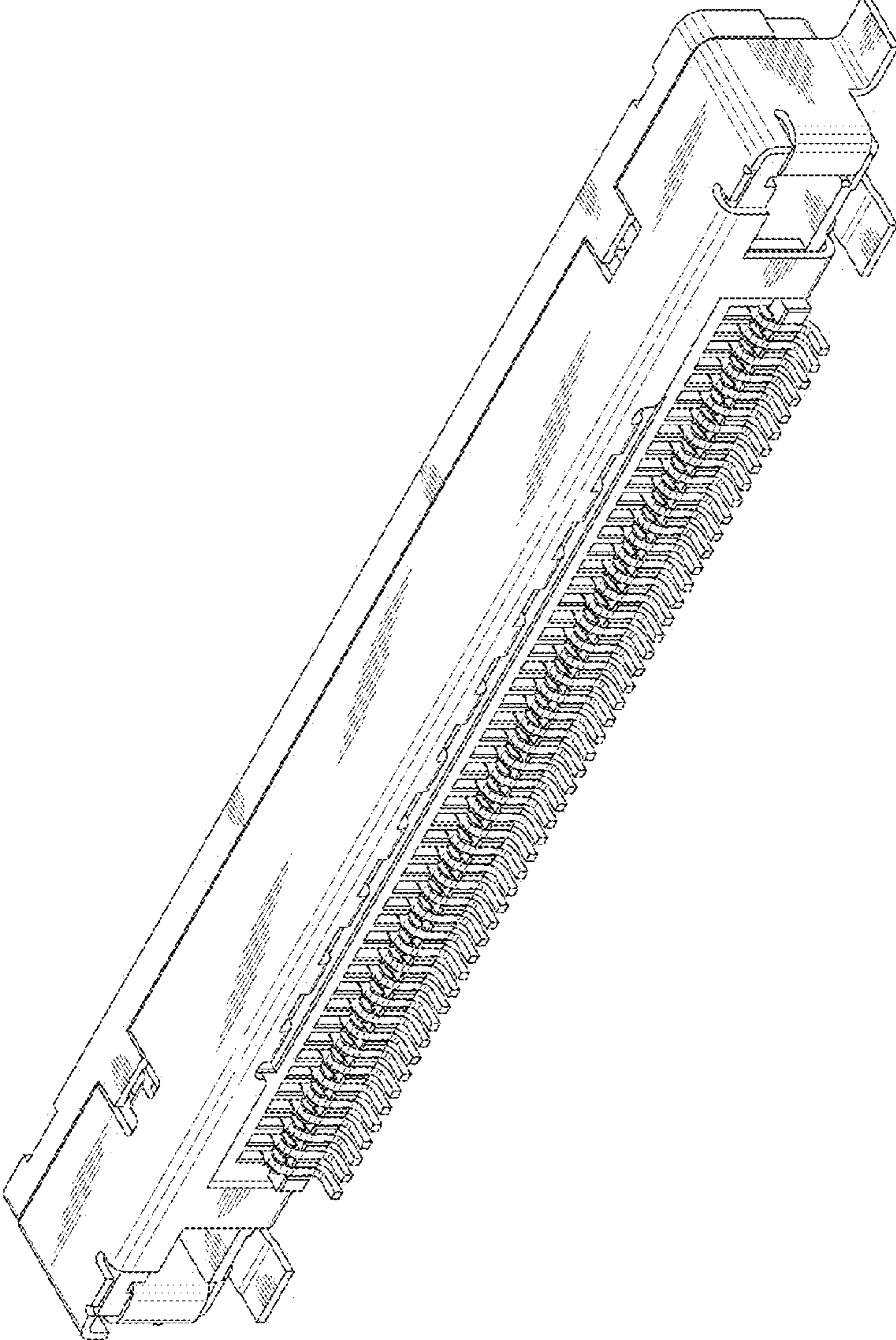


FIG.9

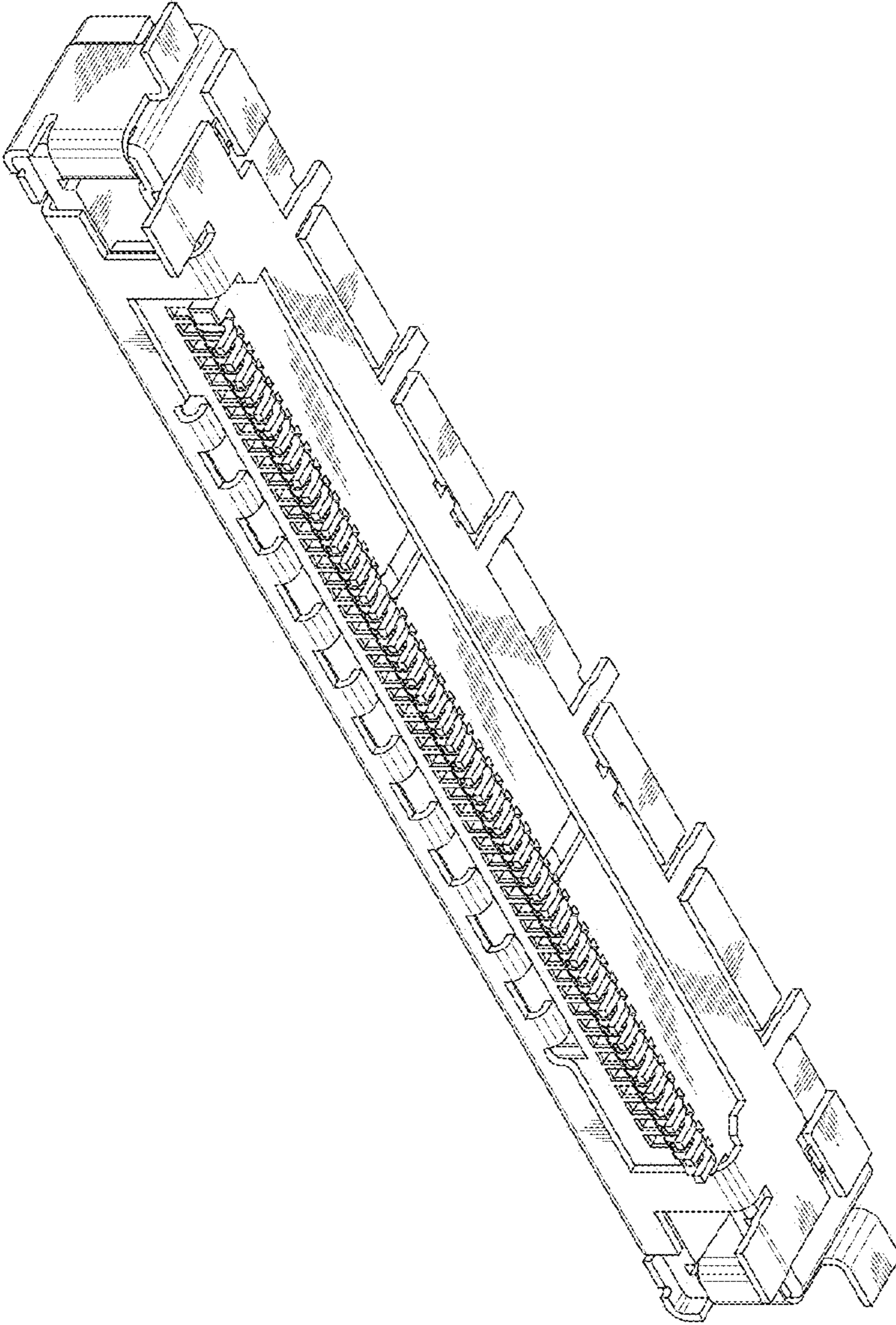


FIG.10