



US00D685739S

(12) **United States Design Patent**  
**Moore et al.**

(10) **Patent No.:** **US D685,739 S**

(45) **Date of Patent:** **\*\* Jul. 9, 2013**

(54) **ELECTRONIC DEVICE BATTERY DOOR**

(75) Inventors: **Shannon Tyler Moore**, Kitchener (CA);  
**Marco Sixtus Ferrari**, Waterloo (CA);  
**Anders Fahrendorff**, Ottawa (CA);  
**Amanda Adelaide Hancock**, Waterloo  
(CA); **Lesli Ann Mie Agcaoili**, Waterloo  
(CA)

(73) Assignee: **Research In Motion Limited**, Waterloo,  
Ontario (CA)

(\*\*) Term: **14 Years**

(21) Appl. No.: **29/419,612**

(22) Filed: **Apr. 30, 2012**

(51) **LOC (9) Cl.** ..... **13-02**

(52) **U.S. Cl.**  
USPC ..... **D13/119; D14/250**

(58) **Field of Classification Search**  
USPC ..... D13/102–106, 110, 118–121, 184,  
D13/199; 429/96–100, 163, 176; D14/341–347,  
D14/137, 138, 138.1, 138 AA, 138 R, 138 AB,  
D14/138 AC, 138 AD, 138 C, 138 G, 496,  
D14/203.1, 203.3, 203.4, 203.5, 203.7, 426,  
D14/427, 432, 429, 129, 130, 420, 439–441,  
D14/448, 125, 147, 156, 218, 247–248, 250;  
455/556.1, 556.2, 555, 575.1, 90.3; 379/433.04,  
379/433.01, 433.06, 916; 361/679.26, 679.27,  
361/679.3, 679.55, 679.56

See application file for complete search history.

(56) **References Cited**

U.S. PATENT DOCUMENTS

5,554,452	A *	9/1996	Delmolino et al. ....	429/10
D378,366	S *	3/1997	Nagele et al. ....	D13/103
D425,858	S *	5/2000	Oliver et al. ....	D13/119
D442,915	S *	5/2001	Sasaoka .....	D13/119
D445,088	S *	7/2001	Sasaoka .....	D13/119
D468,684	S *	1/2003	Shugar .....	D13/102
D528,501	S *	9/2006	Lam .....	D13/102
D606,934	S *	12/2009	Taggart et al. ....	D13/102
D619,090	S *	7/2010	Taggart et al. ....	D13/102
D629,782	S *	12/2010	Kim et al. ....	D14/138 G
D649,144	S *	11/2011	Fathollahi .....	D14/250
D655,288	S *	3/2012	de Jong et al. ....	D14/341
D656,929	S *	4/2012	Hsiung .....	D14/250
D668,246	S *	10/2012	Fathollahi .....	D14/250
D671,933	S *	12/2012	Rodgers .....	D14/250
D675,606	S *	2/2013	Adelman et al. ....	D14/250
2003/0175584	A1 *	9/2003	Shrim et al. ....	429/96

\* cited by examiner

*Primary Examiner* — Rosemary K Tarcza

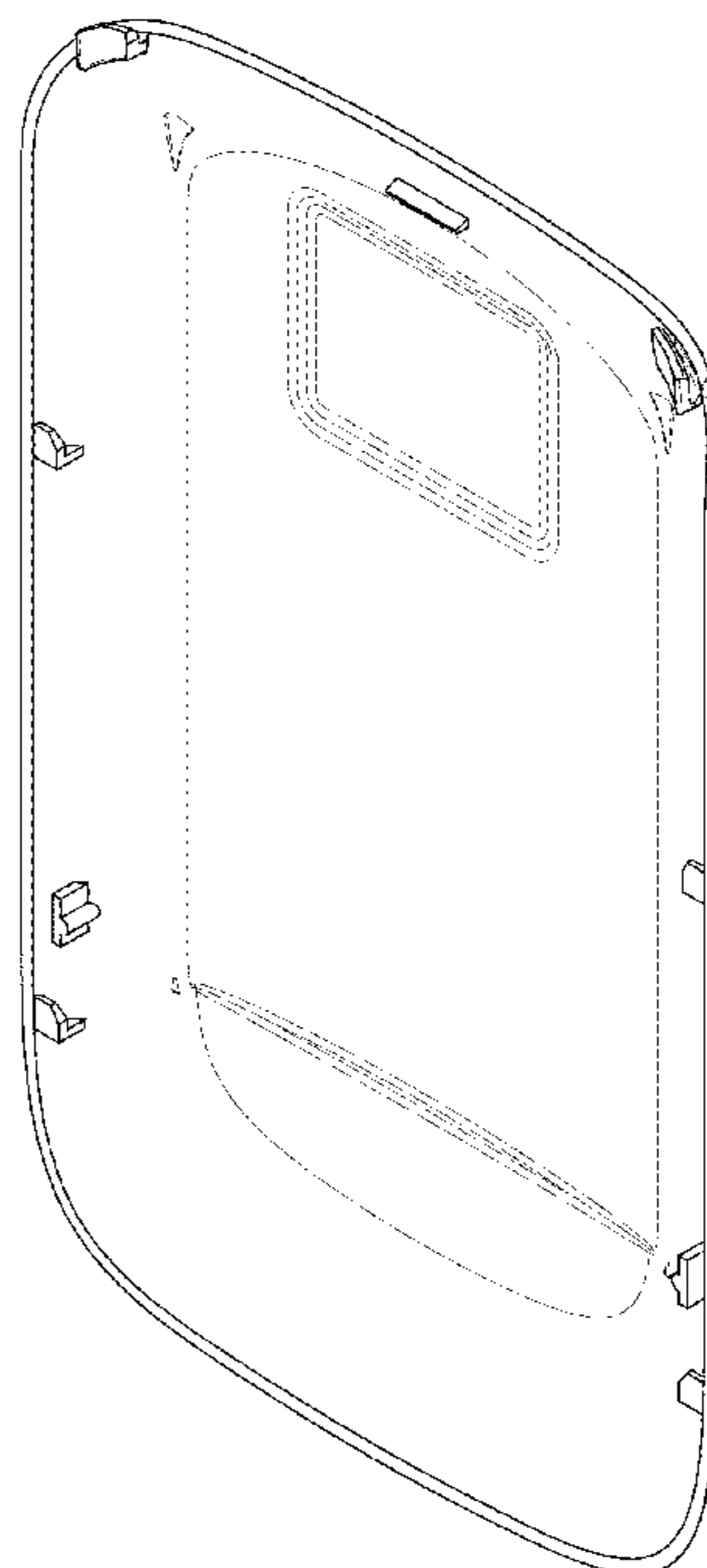
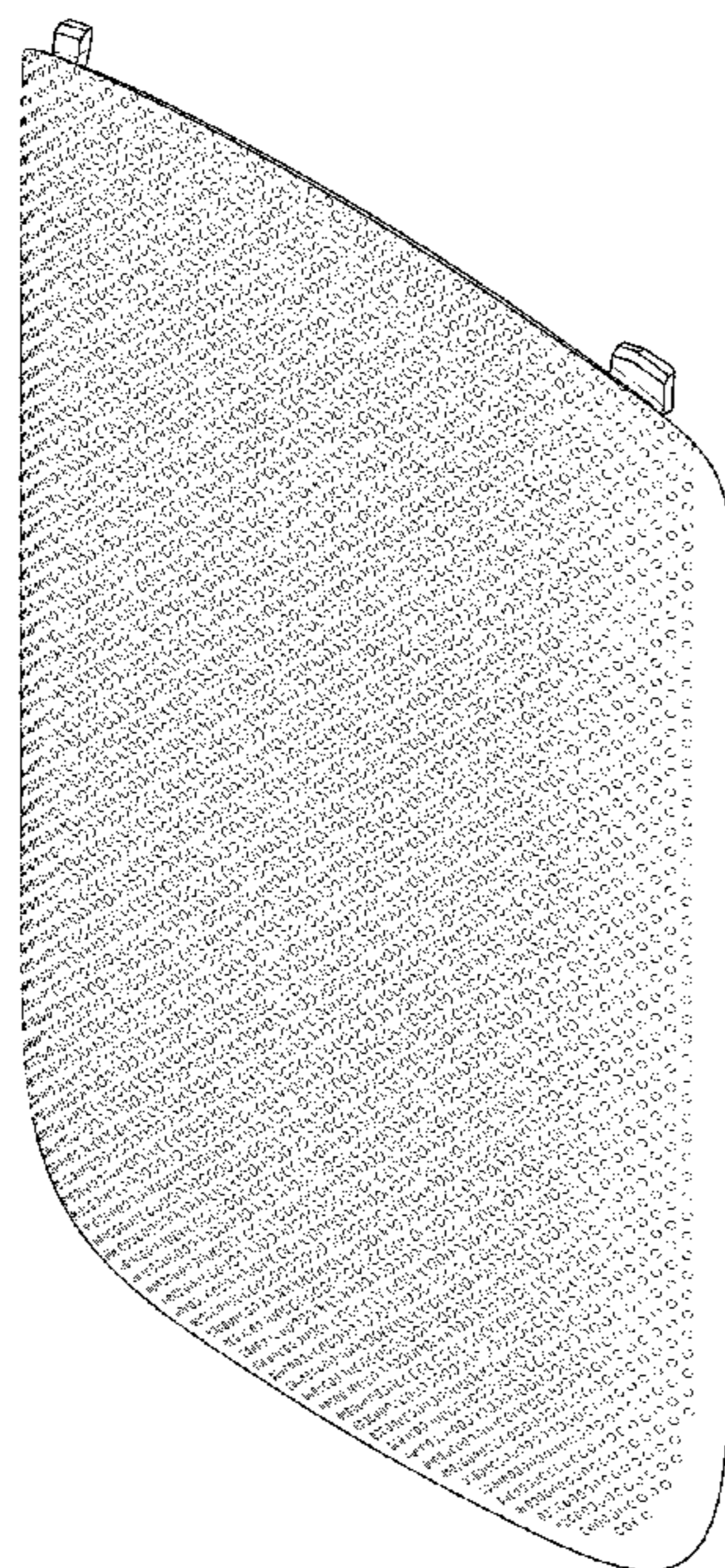
(57) **CLAIM**

We claim the ornamental design for an electronic device battery door, as shown and described.

**DESCRIPTION**

FIG. 1 is a front perspective view of an electronic device battery door;  
FIG. 2 is a back perspective view of the electronic device battery door;  
FIG. 3 is a front elevational view thereof;  
FIG. 4 is a back elevational view thereof;  
FIG. 5 is a right elevational view thereof;  
FIG. 6 is a left elevational view thereof;  
FIG. 7 is a top plan view thereof; and,  
FIG. 8 is a bottom plan view thereof.

**1 Claim, 6 Drawing Sheets**





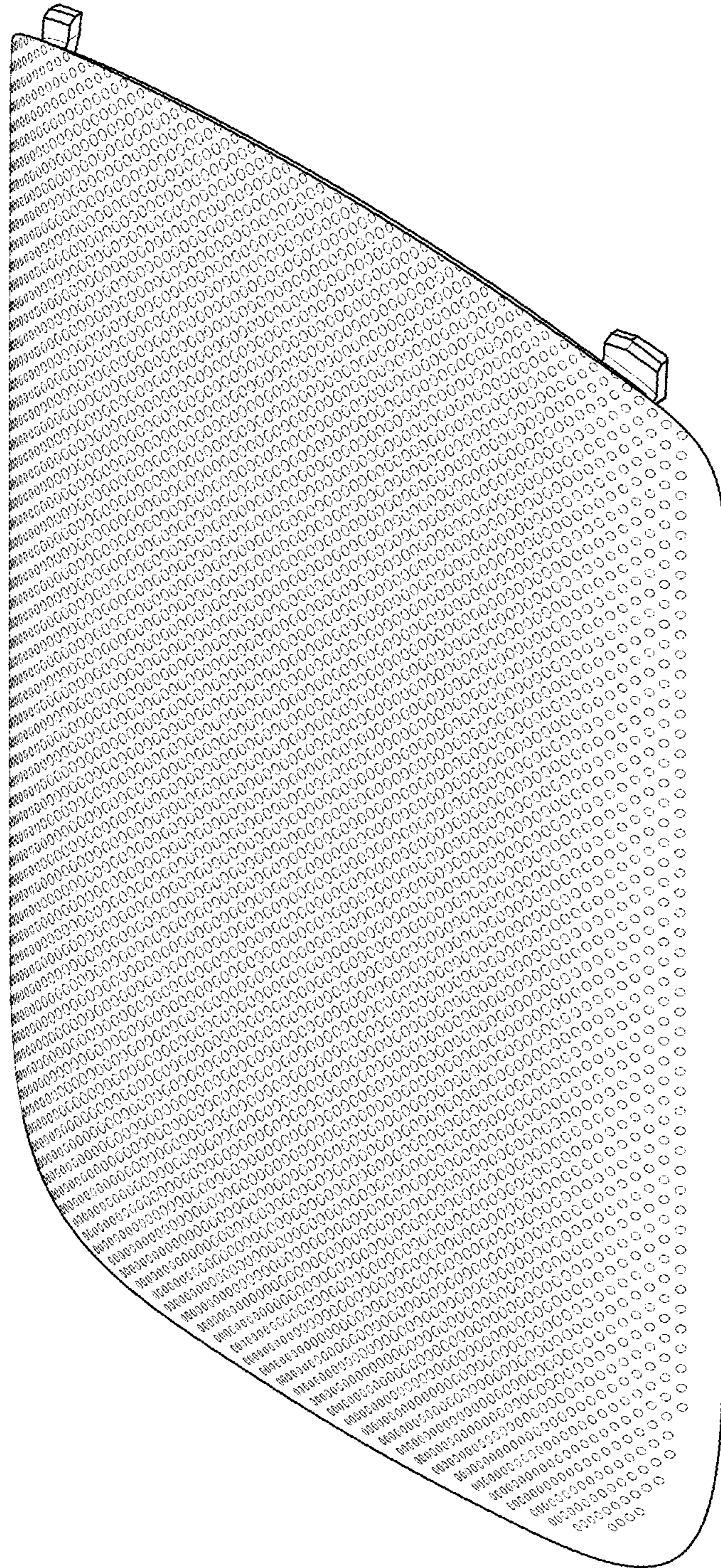


FIG.1

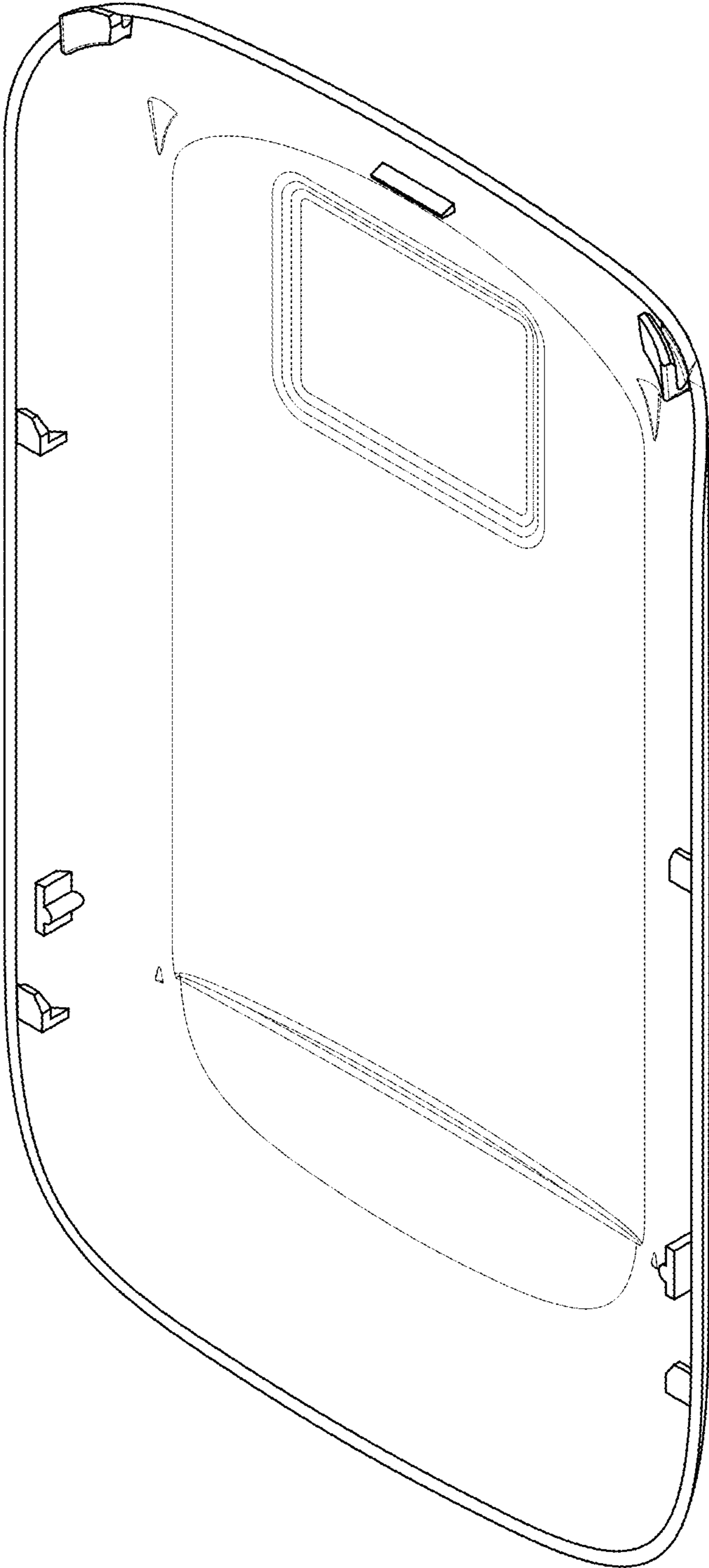


FIG.2



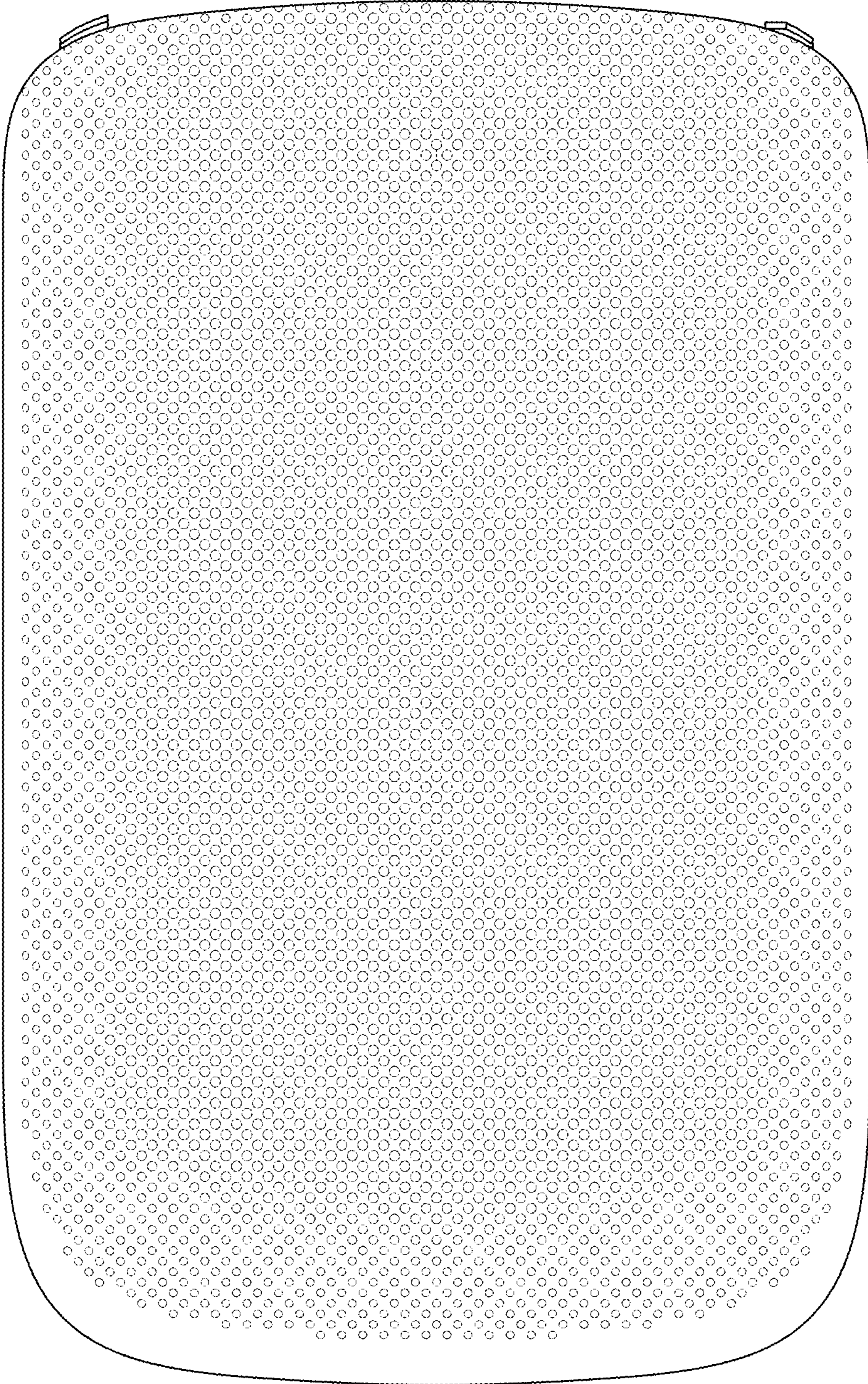


FIG.3



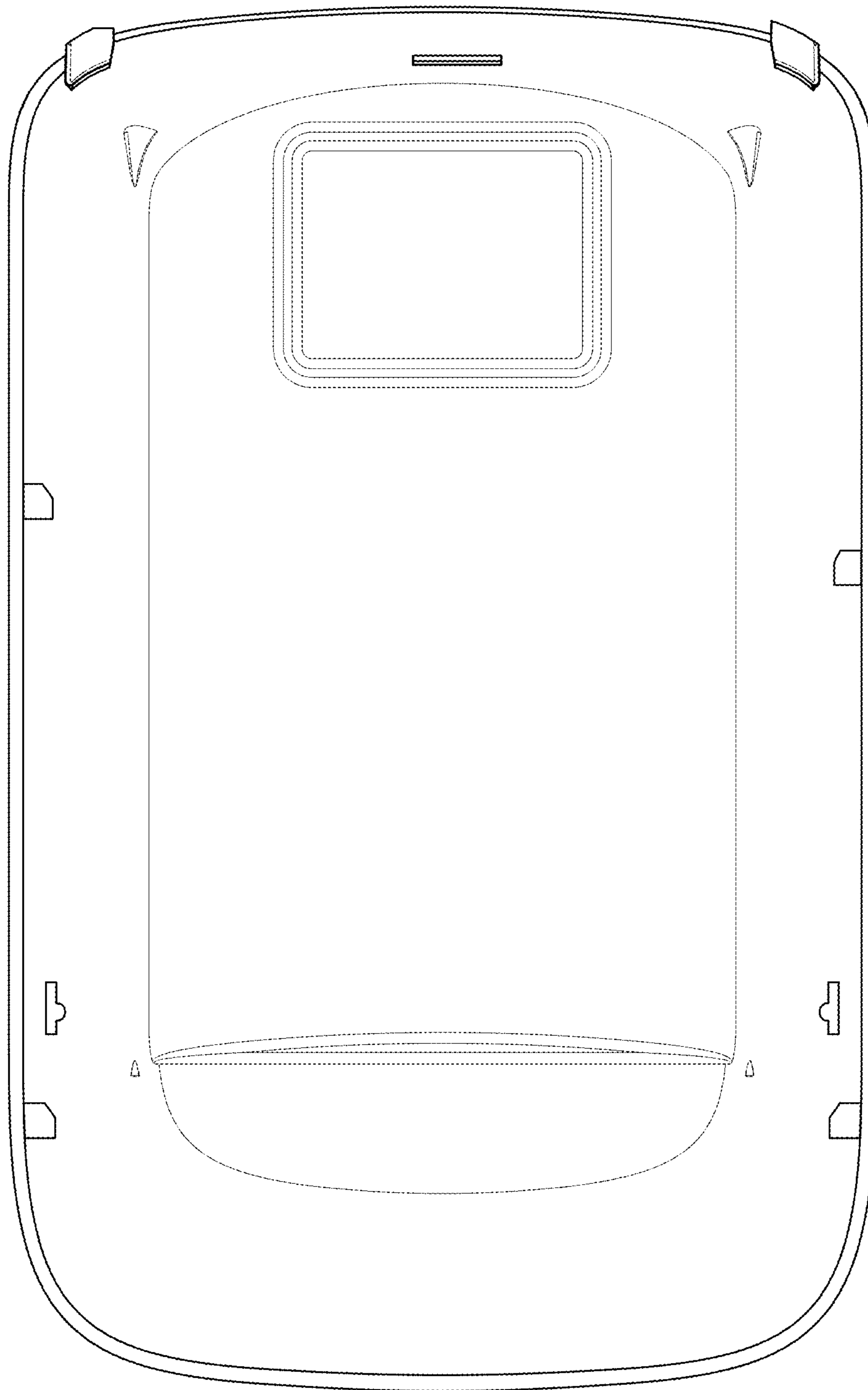


FIG.4

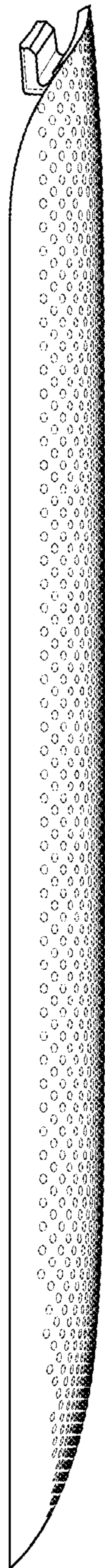


FIG. 5

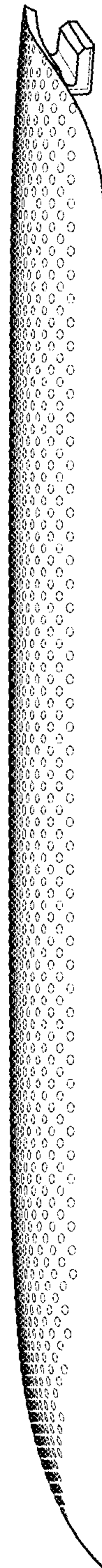


FIG. 6

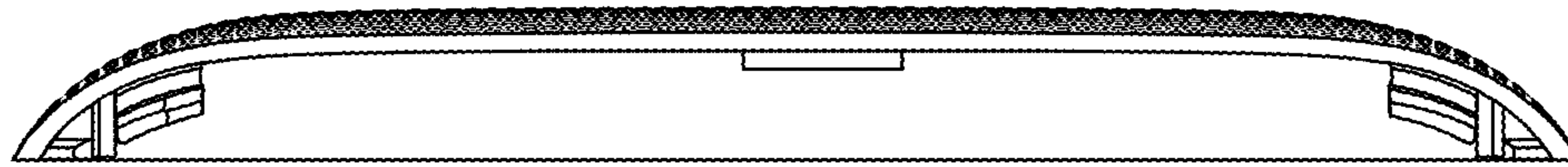


FIG. 7



FIG. 8