



US00D685737S

(12) **United States Design Patent**
de Jong et al.

(10) **Patent No.:** **US D685,737 S**
(45) **Date of Patent:** **** Jul. 9, 2013**

(54) **ELECTRONIC DEVICE BATTERY DOOR**

(75) Inventors: **Janice Leigh de Jong**, Waterloo (CA);
Shannon Tyler Moore, Waterloo (CA);
Todd Andrew Wood, Toronto (CA);
Donald Somerset McKenzie, Waterloo
(CA); **Kevin Roy Sugden**, Toronto
(CA); **Amanda Adelaide Hancock**,
Waterloo (CA); **Kwok Ching Leung**,
Richmond Hill (CA); **Douglas Wayne**
Moskowitz, Weston, FL (US); **Min Zhu**,
Waterloo (CA)

(73) Assignee: **Research In Motion Limited**, Waterloo,
Ontario (CA)

(**) Term: **14 Years**

(21) Appl. No.: **29/394,308**

(22) Filed: **Jun. 15, 2011**

(51) **LOC (9) Cl.** **13-02**

(52) **U.S. Cl.**
USPC **D13/119; D14/250**

(58) **Field of Classification Search**
USPC D13/102–106, 110, 118–121, 184,
D13/199; 429/96–100, 163, 176; D14/341–347,
D14/137, 138, 138.1, 138 AA, 138 R, 138 AB,
D14/138 AC, 138 AD, 138 C, 138 G, 496,
D14/203.1, 203.3, 203.4, 203.5, 203.7, 426,
D14/427, 432, 429, 129, 130, 420, 439–441,
D14/448, 125, 147, 156, 218, 247–248, 250;
455/556.1, 556.2, 555, 575.1, 90.3; 379/433.04,
379/433.01, 433.06, 916; 361/679.26, 679.27,
361/679.3, 679.55, 679.56

See application file for complete search history.

(56) **References Cited**

U.S. PATENT DOCUMENTS

D378,366 S * 3/1997 Nagele et al. D13/103
D425,858 S * 5/2000 Oliver et al. D13/119

D469,057 S * 1/2003 Shugar D13/102
D469,058 S * 1/2003 Shugar D13/102
D469,399 S * 1/2003 Shugar D13/102
D606,531 S * 12/2009 Ferrari et al. D14/250
D606,533 S * 12/2009 de Jong et al. D14/250
D606,986 S * 12/2009 de Jong et al. D14/250
D607,444 S * 1/2010 Ferrari et al. D14/250
D607,445 S * 1/2010 Ferrari et al. D14/250
D615,519 S * 5/2010 Kim et al. D14/138 G
D622,691 S * 8/2010 Kim et al. D14/138 G
D627,770 S * 11/2010 Ferrari et al. D14/250
D632,663 S * 2/2011 Oh et al. D14/138 G
D633,035 S * 2/2011 Heine et al. D13/103
D634,313 S * 3/2011 Fitzpatrick et al. D14/250
7,989,085 B2 * 8/2011 Li et al. 428/614
D651,202 S * 12/2011 Fathollahi D14/250
D654,483 S * 2/2012 Richardson et al. D14/250
D655,287 S * 3/2012 de Jong et al. D14/341
D655,288 S * 3/2012 de Jong et al. D14/341
D662,092 S * 6/2012 Bau D14/250
D663,297 S * 7/2012 de Jong et al. D14/341
D676,374 S * 2/2013 Chu D13/102
2003/0003956 A1 * 1/2003 Maenpaa et al. 455/556

* cited by examiner

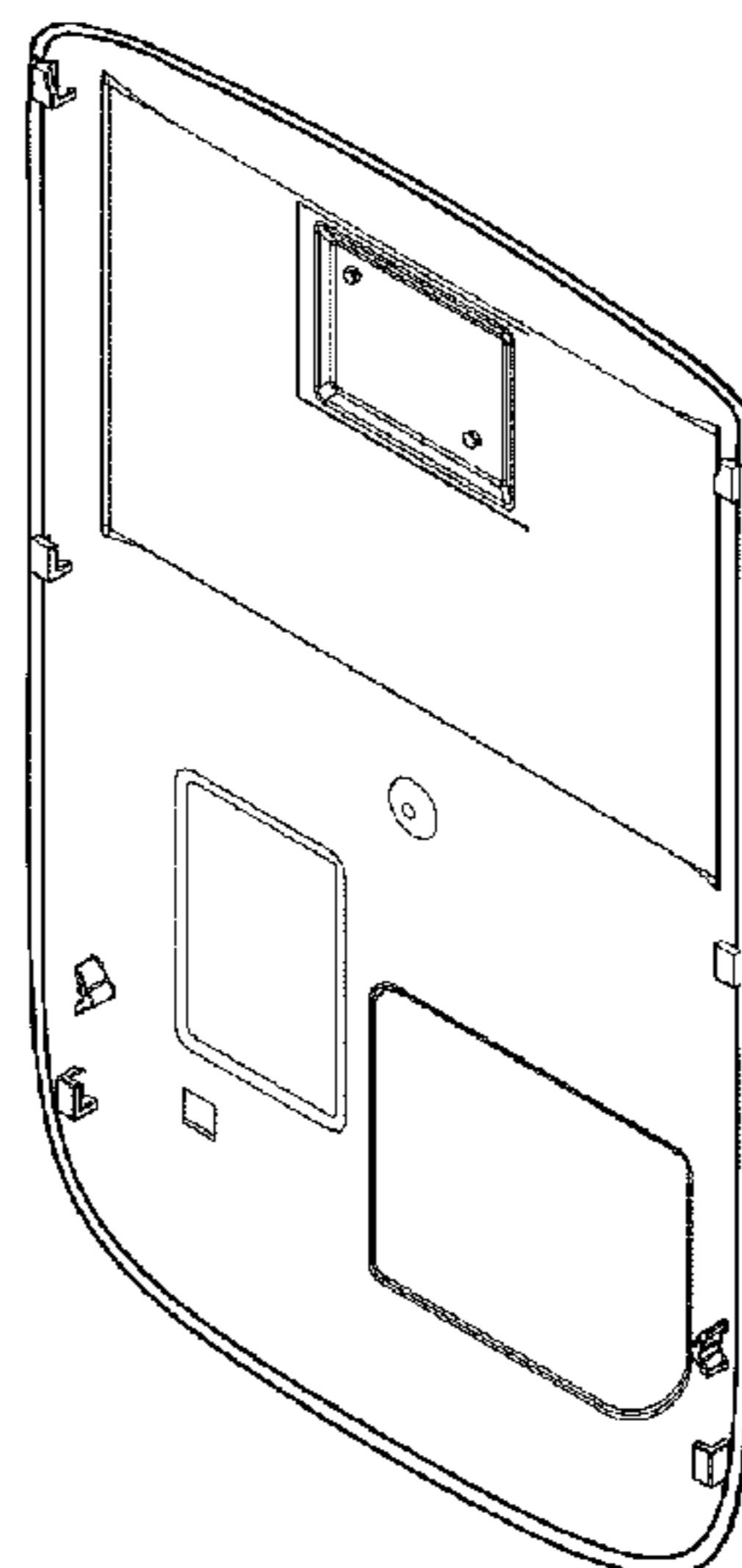
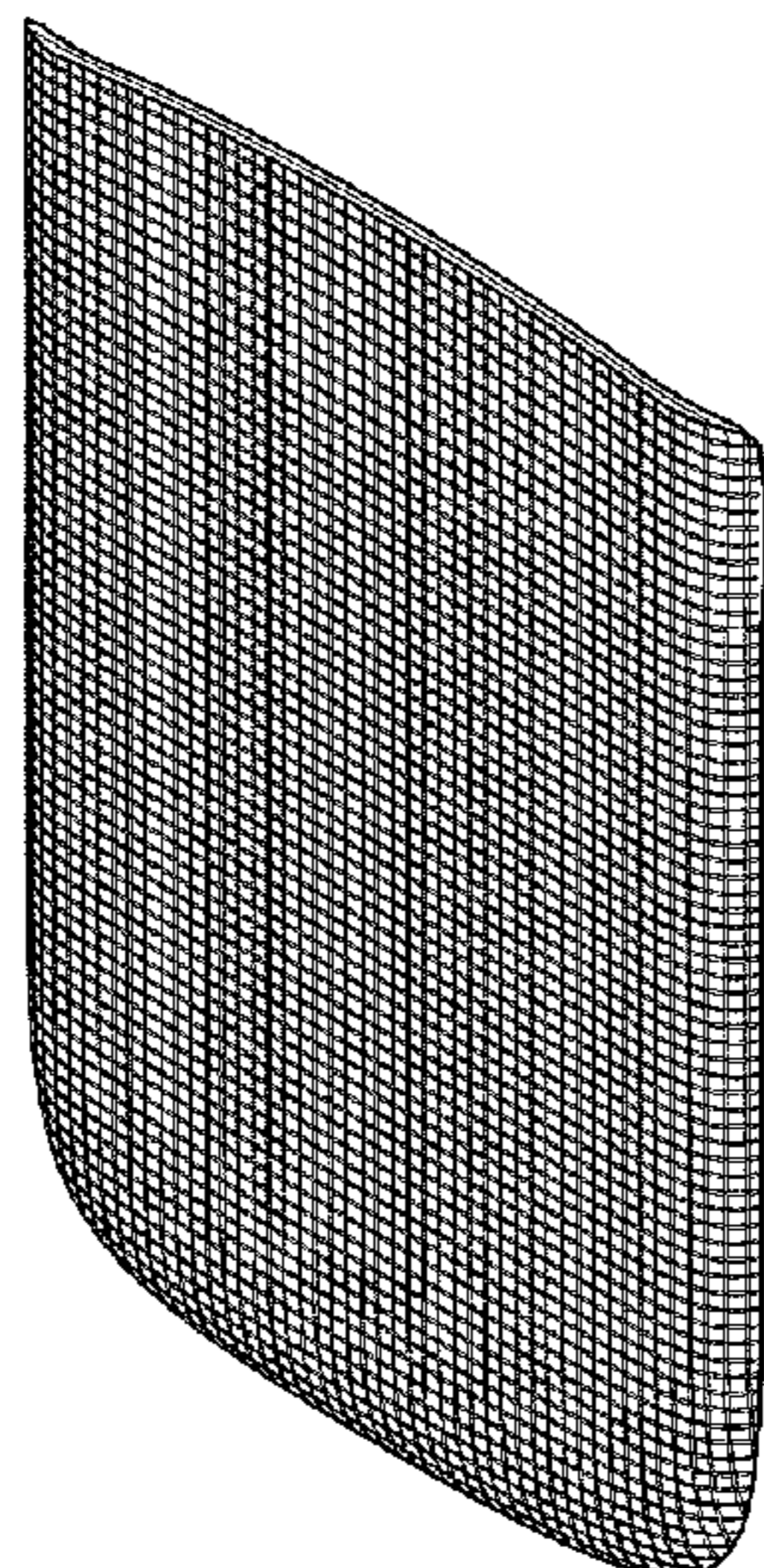
Primary Examiner — Rosemary K Tarcza

(57) **CLAIM**
We claim the ornamental design for an electronic device
battery door, as shown and described.

DESCRIPTION

FIG. 1 is a front perspective view of an electronic device
battery door;
FIG. 2 is a back perspective view of the electronic device
battery door;
FIG. 3 is a front elevational view thereof;
FIG. 4 is a back elevational view thereof;
FIG. 5 is a right elevational view thereof;
FIG. 6 is a left elevational view thereof;
FIG. 7 is a top plan view thereof; and,
FIG. 8 is a bottom plan view thereof.

1 Claim, 6 Drawing Sheets



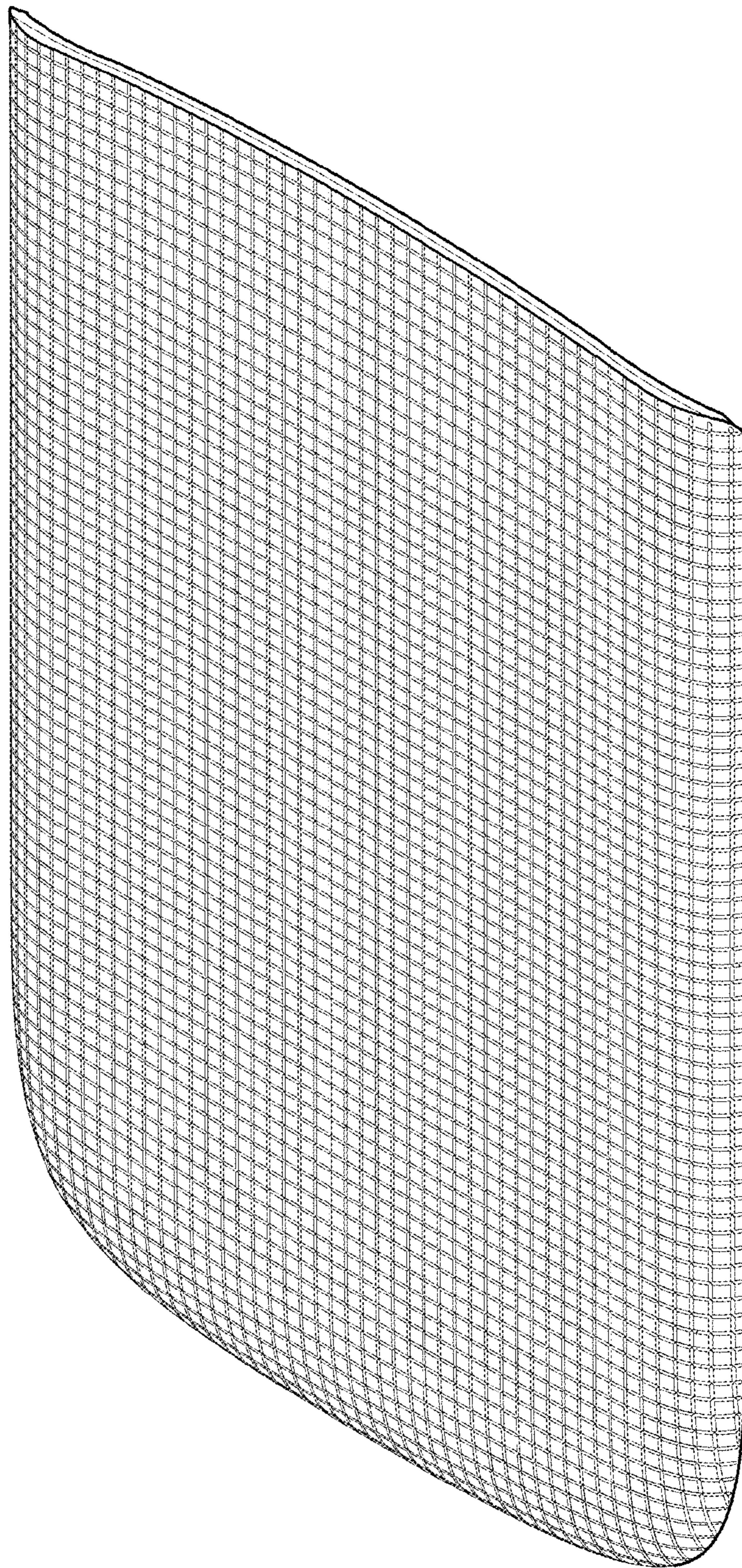


FIG.1

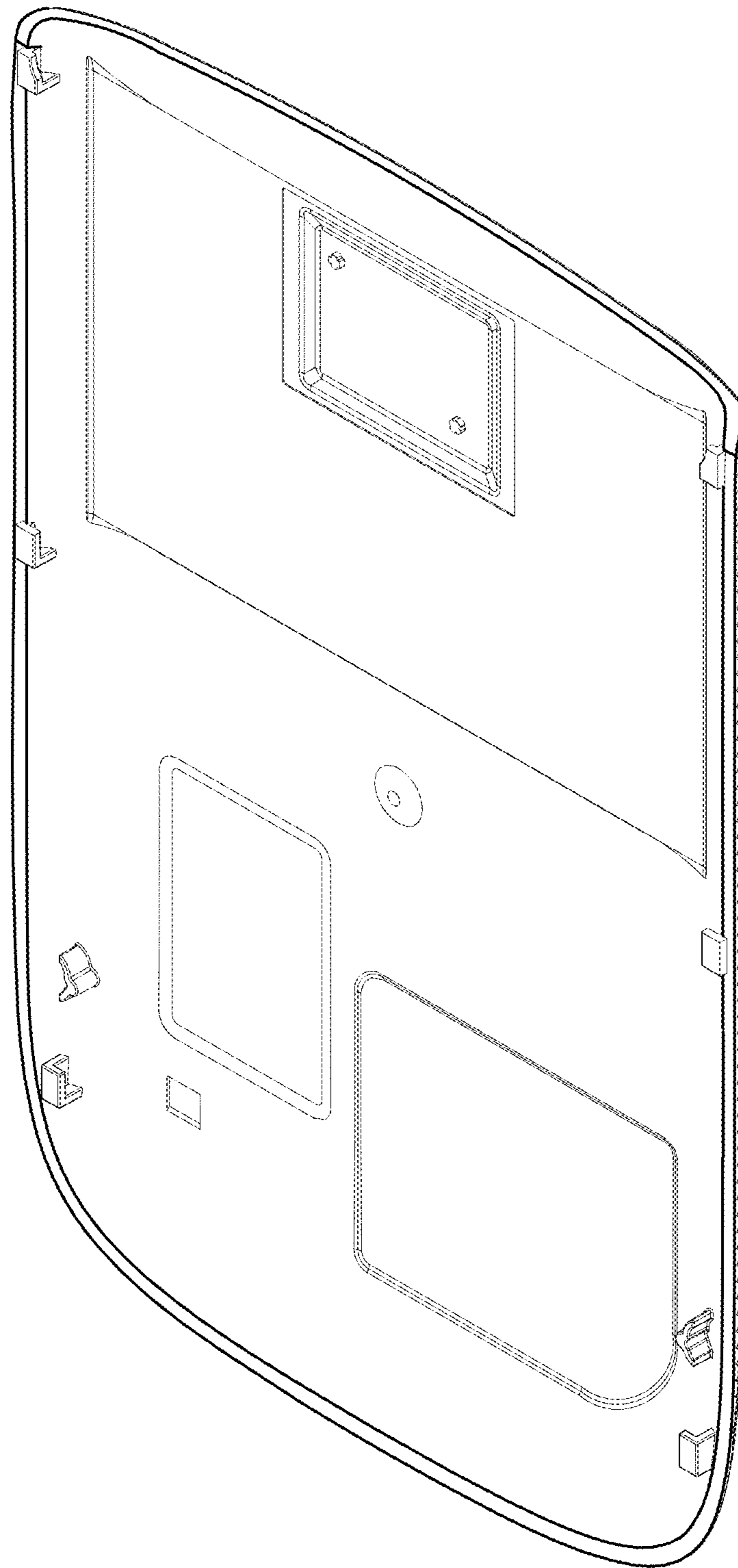


FIG.2

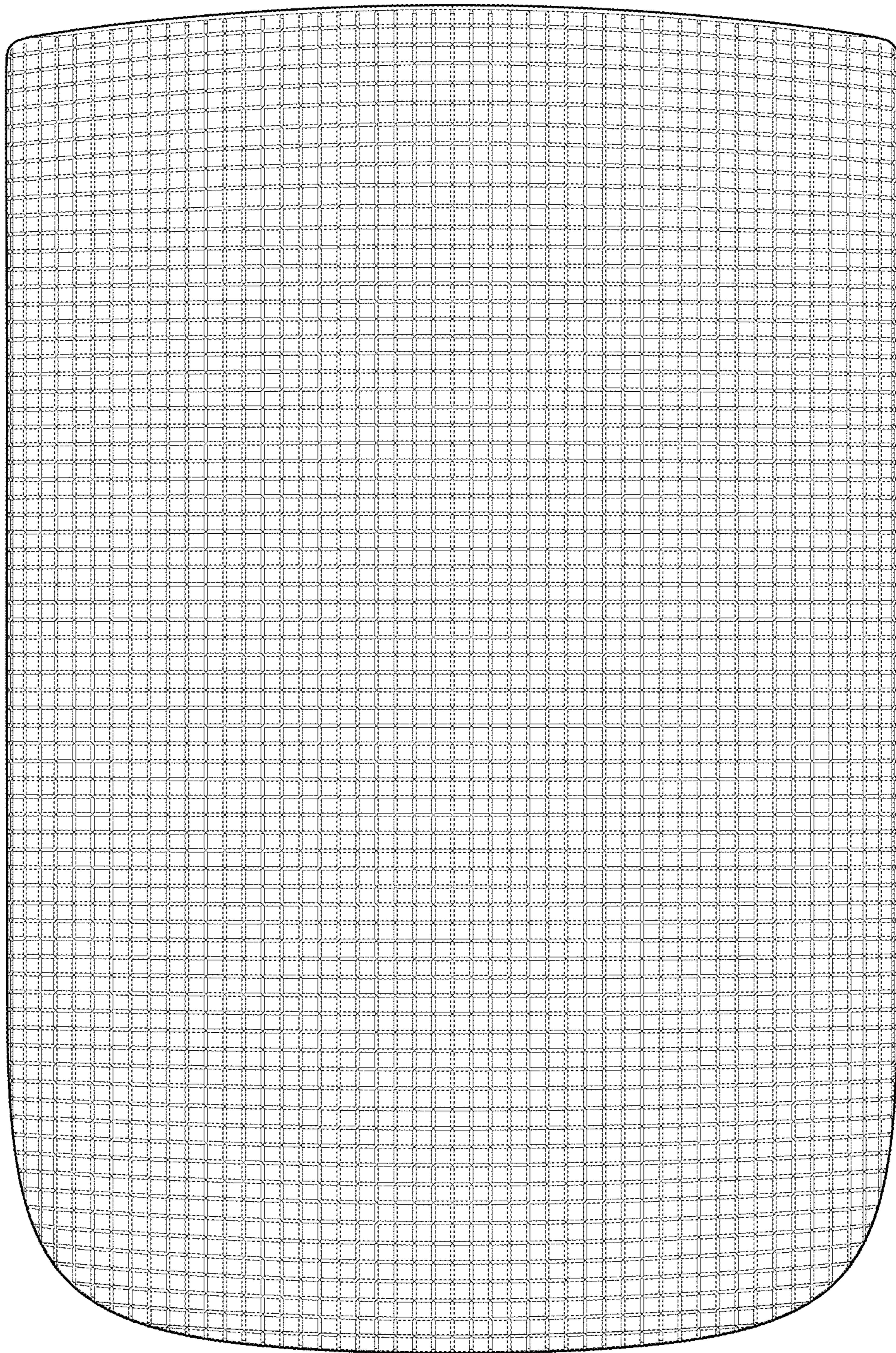


FIG.3

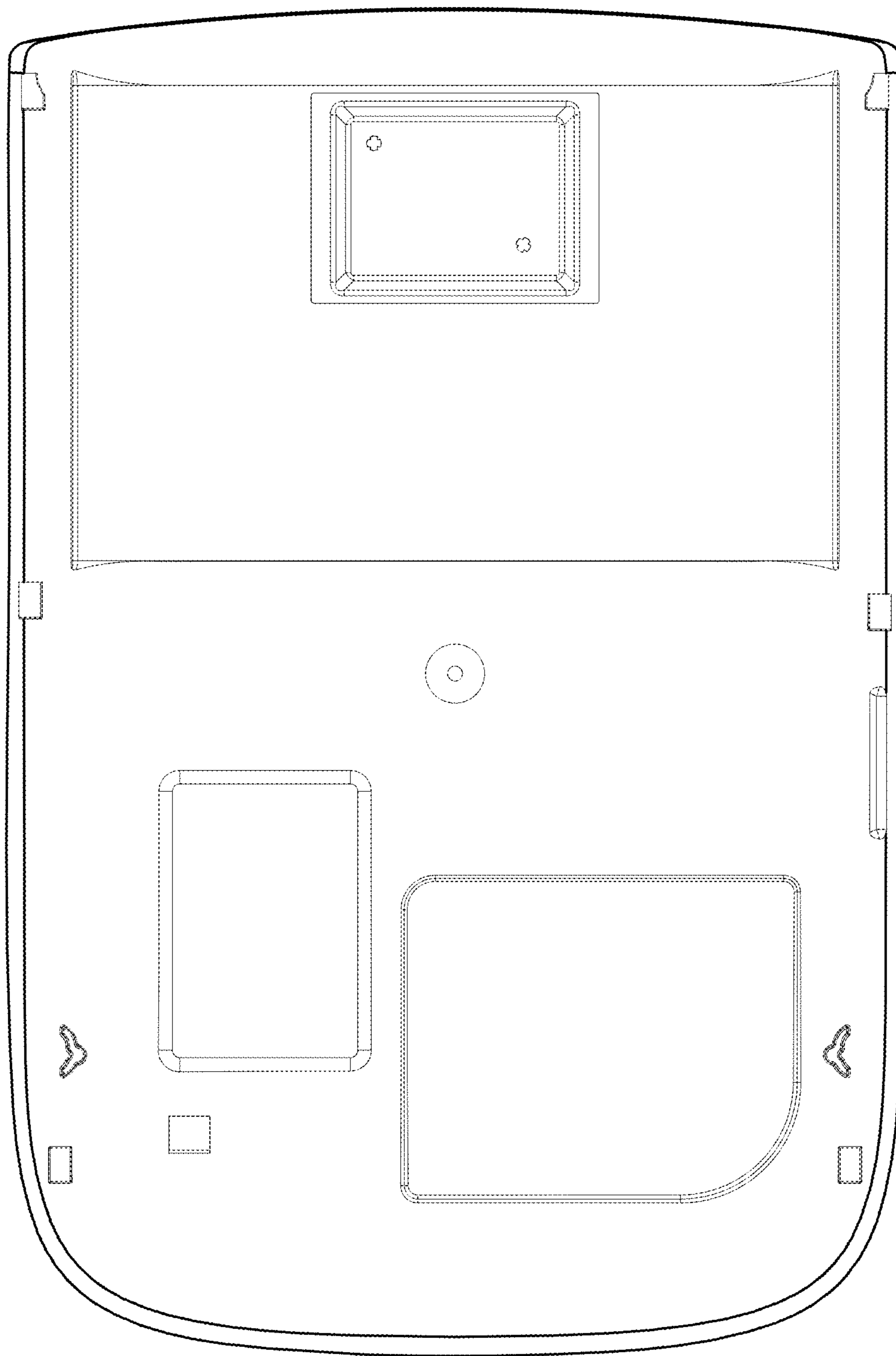


FIG.4

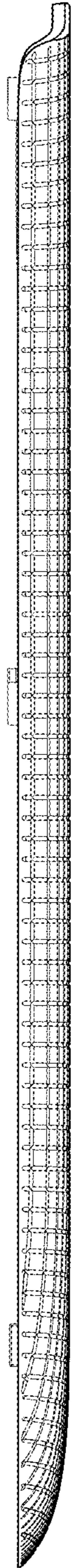


FIG. 5

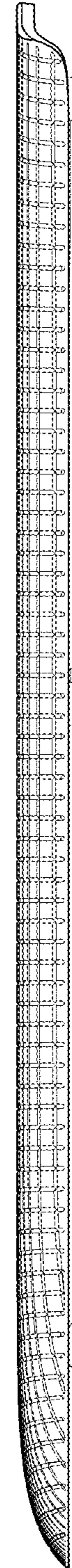


FIG. 6

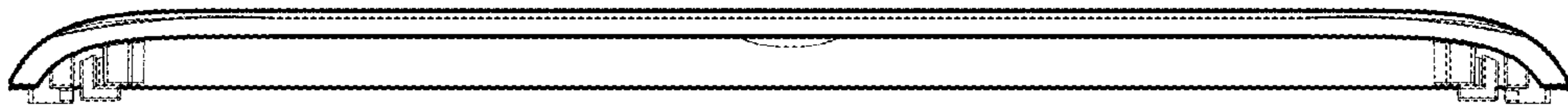


FIG.7

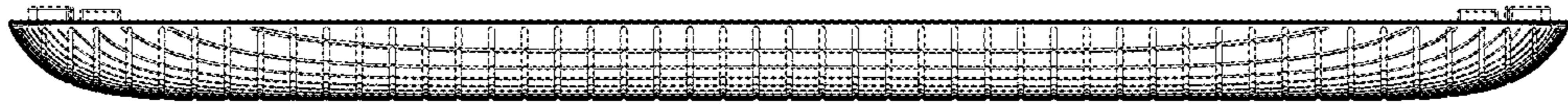


FIG.8