



US00D685736S

(12) **United States Design Patent**
Inskeep

(10) **Patent No.:** **US D685,736 S**

(45) **Date of Patent:** **** Jul. 9, 2013**

(54) **ROTATING POWER STRIP**

(71) Applicant: **Mathew Inskeep**, Boca Raton, FL (US)

(72) Inventor: **Mathew Inskeep**, Boca Raton, FL (US)

(**) Term: **14 Years**

(21) Appl. No.: **29/443,226**

(22) Filed: **Jan. 15, 2013**

(51) **LOC (9) Cl.** **13-02**

(52) **U.S. Cl.**
USPC **D13/110**

(58) **Field of Classification Search**
USPC D13/110, 107, 108, 123, 133, 137.1,
D13/199; 174/53, 54, 57, 59, 61; 307/150,
307/151; 320/111, 114; 363/132, 146; 439/105,
439/131, 166, 170-173, 218, 518, 692, 956
See application file for complete search history.

(56) **References Cited**

U.S. PATENT DOCUMENTS

D338,188	S	*	8/1993	Lee et al.	D13/110
5,973,948	A	*	10/1999	Hahn et al.	363/146
D425,480	S	*	5/2000	Jokinen	D13/107
6,086,395	A	*	7/2000	Lloyd et al.	439/172
D446,185	S	*	8/2001	Saastamoinen et al.	D13/108

D449,030	S	*	10/2001	Baxter et al.	D13/110
D452,842	S	*	1/2002	Kajiwara et al.	D13/110
D454,537	S	*	3/2002	O'Connor et al.	D13/110
D456,008	S	*	4/2002	Kawanobe et al.	D13/110
D554,059	S	*	10/2007	Hsu	D13/110
D562,766	S	*	2/2008	Yang	D13/110
2006/0226808	A1	*	10/2006	Hung	320/111

* cited by examiner

Primary Examiner — Derrick Holland

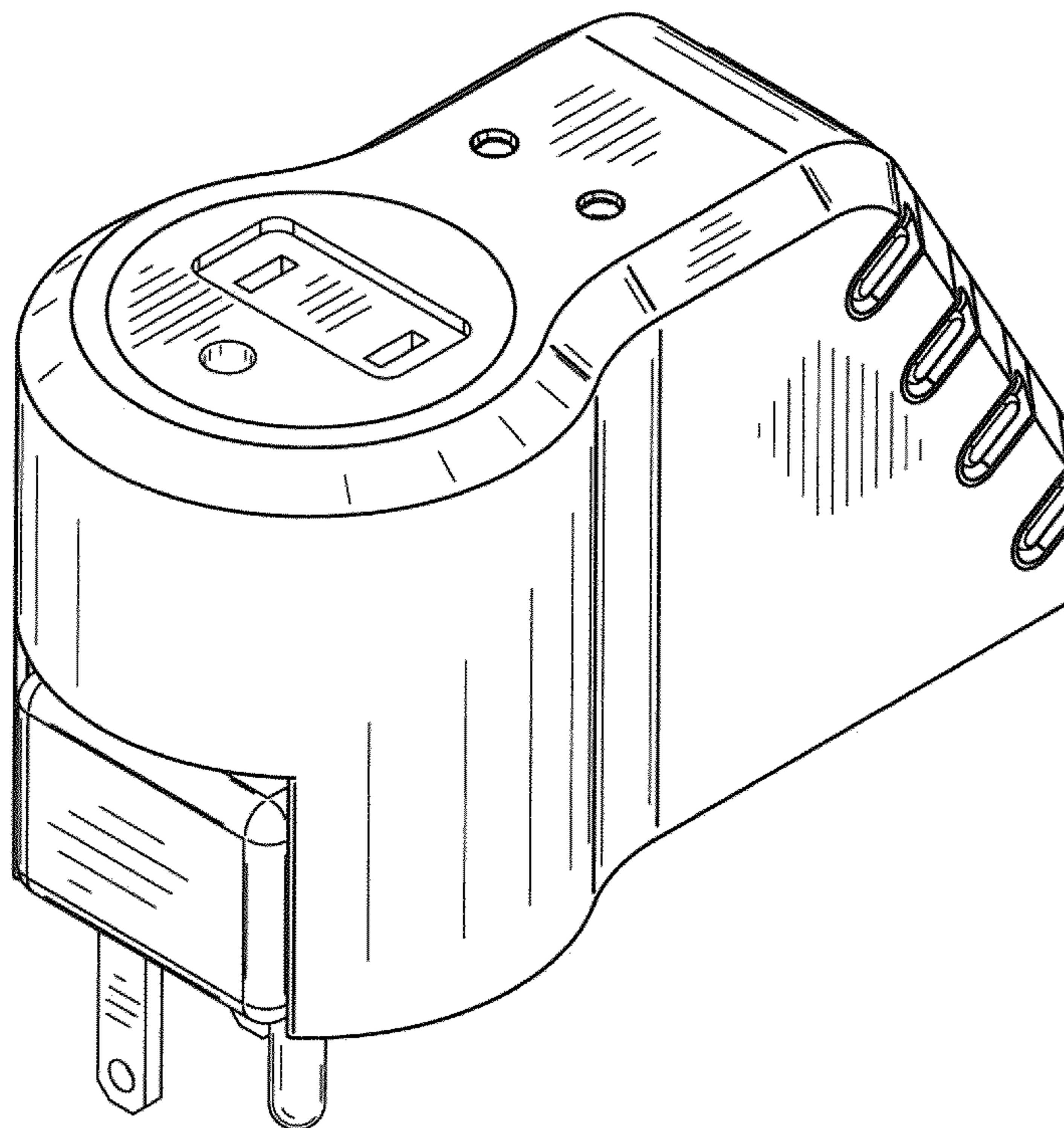
(57) **CLAIM**

The ornamental design for a rotating power strip, as shown and described.

DESCRIPTION

FIG. 1 is a top perspective view of the rotating power strip showing my new design.
 FIG. 2 is a bottom perspective view.
 FIG. 3 is a right side view thereof.
 FIG. 4 is a left side view thereof.
 FIG. 5 is a top view thereof.
 FIG. 6 is a bottom view thereof.
 FIG. 7 is a front view.
 FIG. 8 is a back view thereof.
 FIG. 9 is a perspective view with plug and input rotated; and,
 FIG. 10 is a bottom perspective view with the plug rotated.

1 Claim, 6 Drawing Sheets



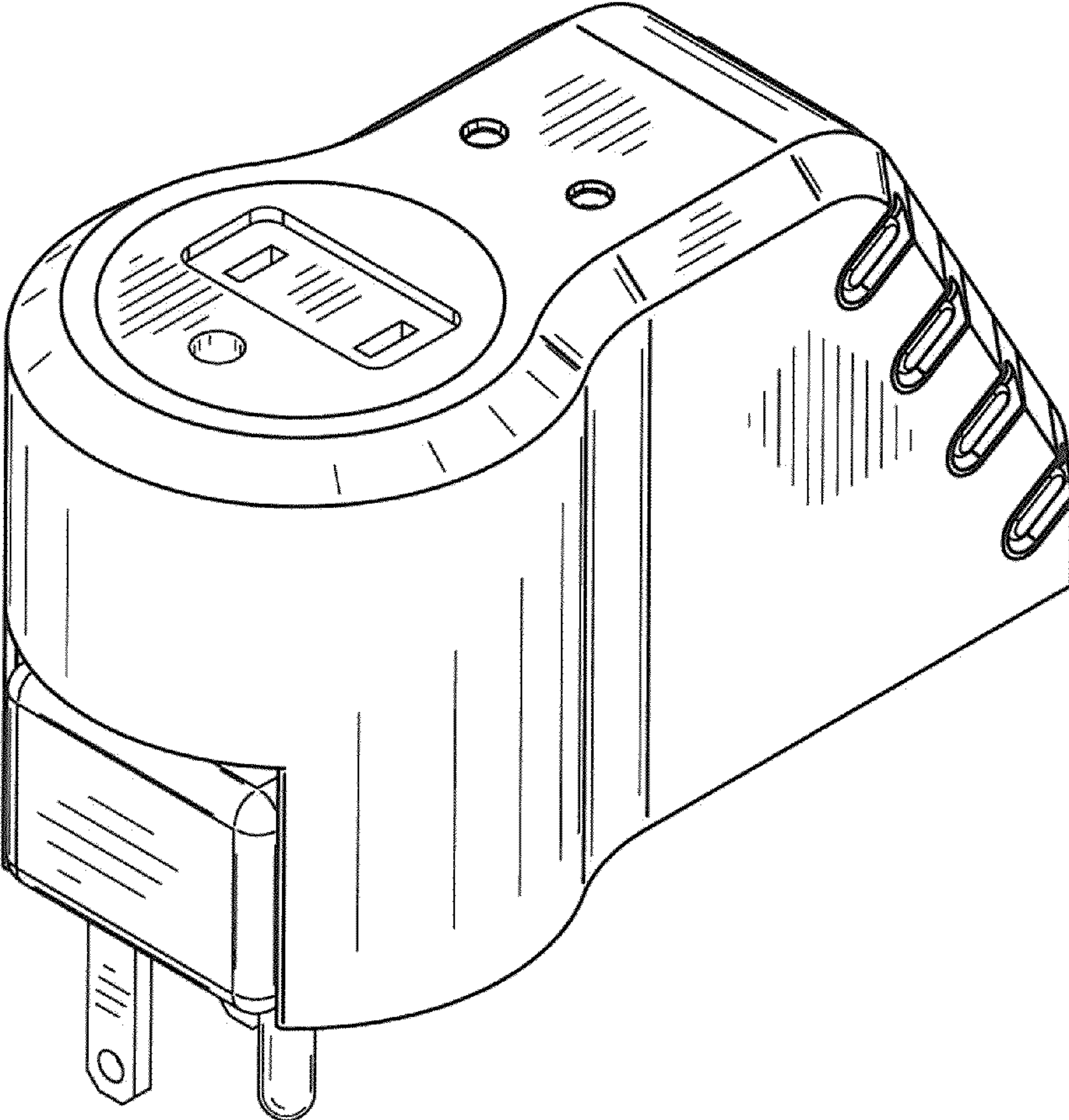


FIG. 1

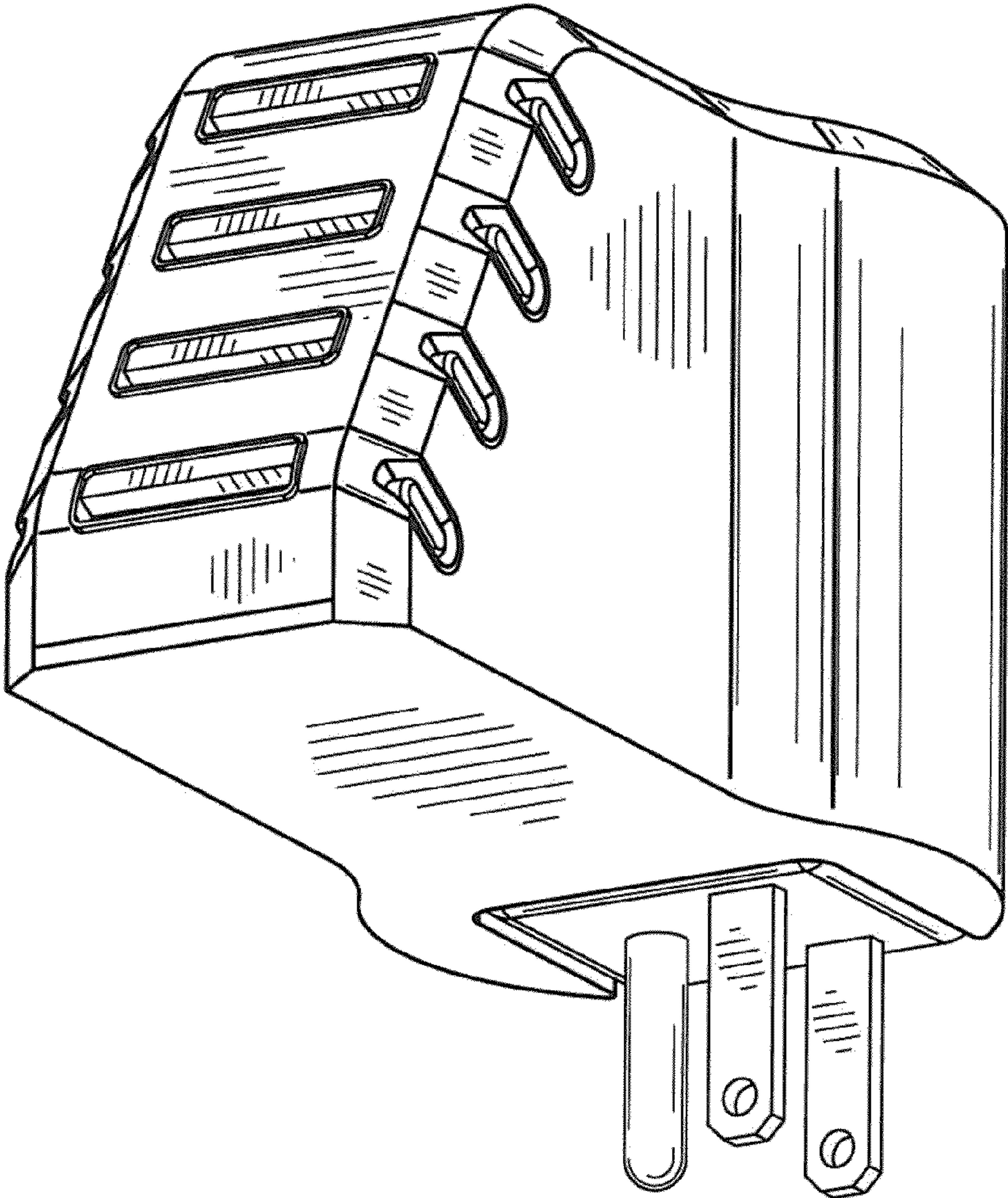
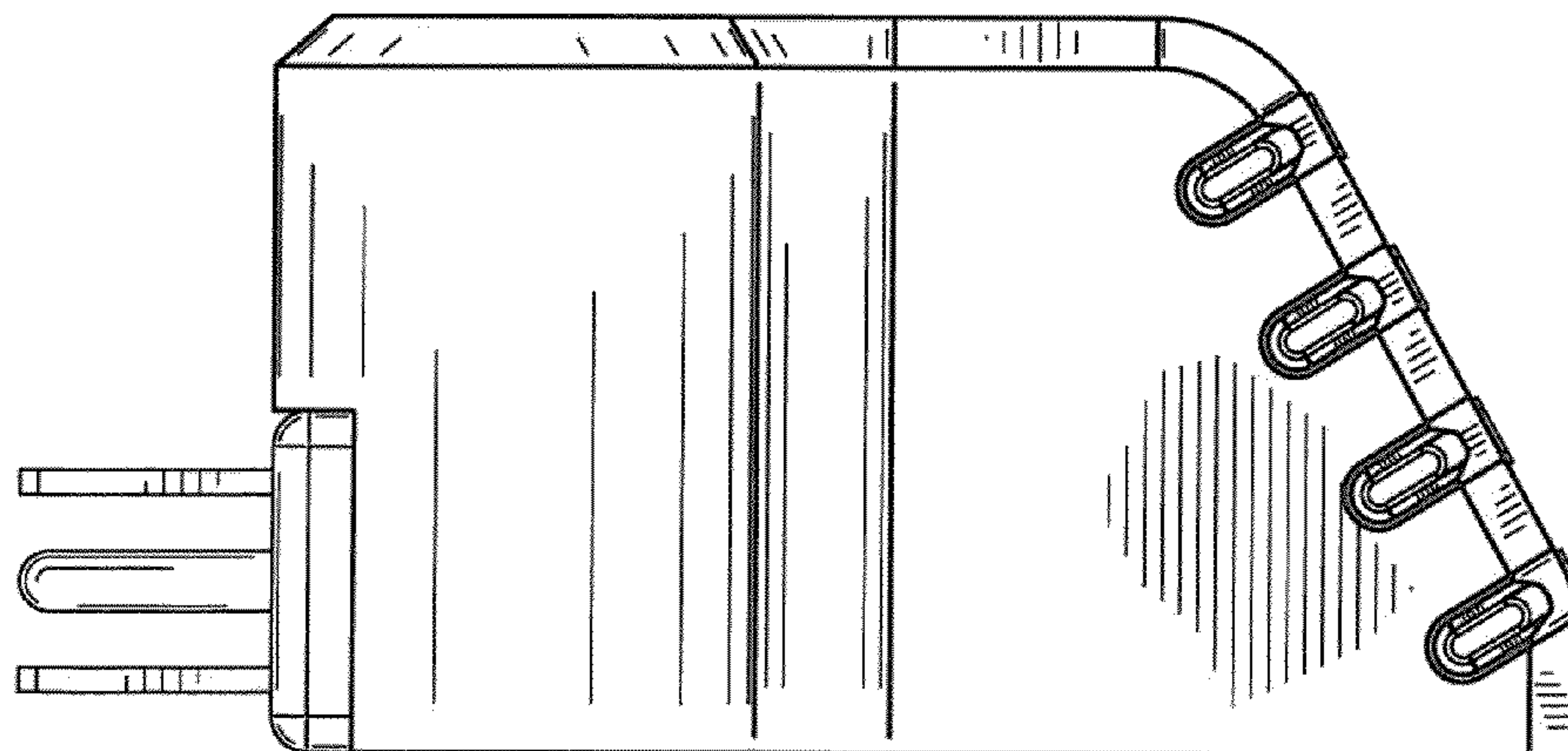
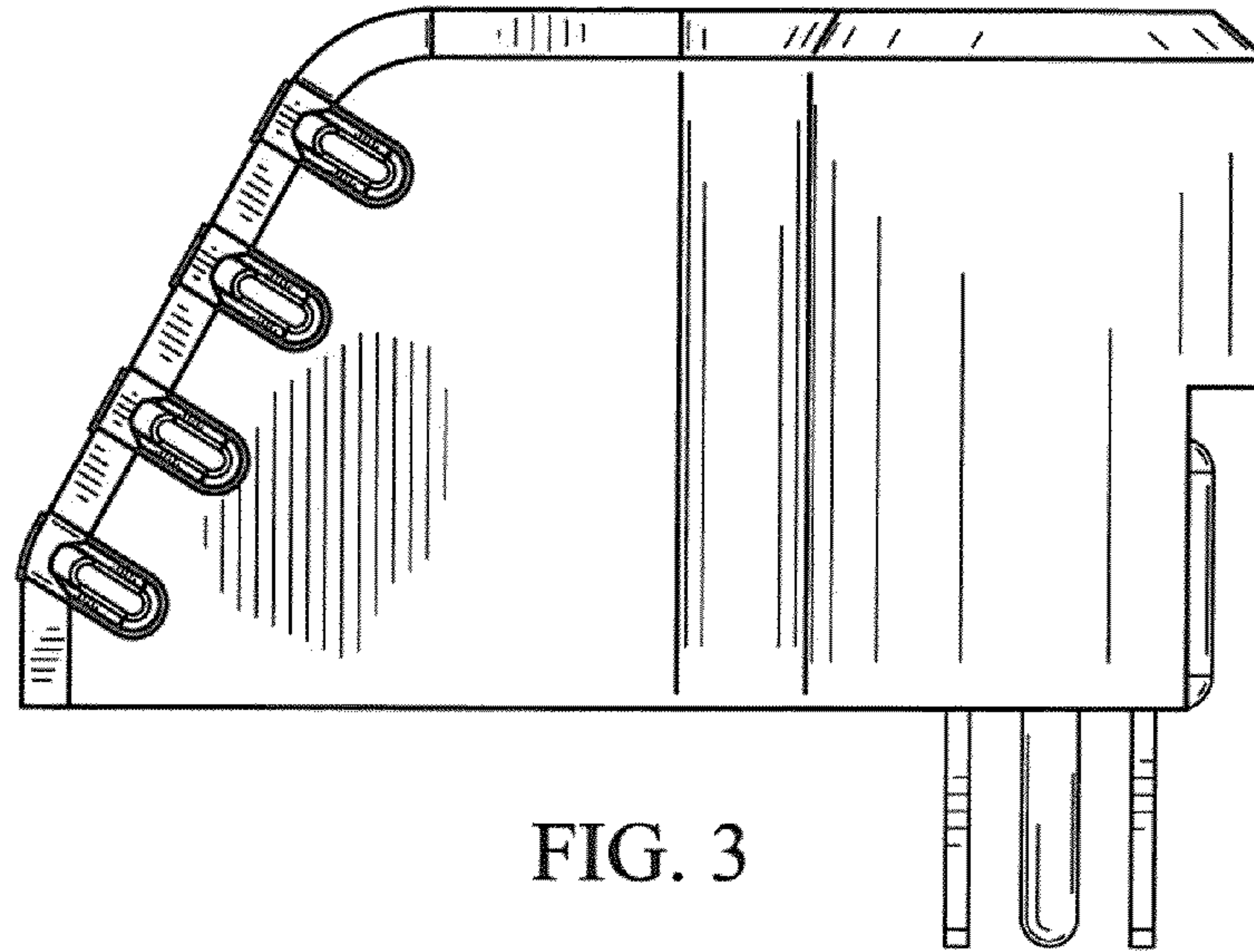


FIG. 2



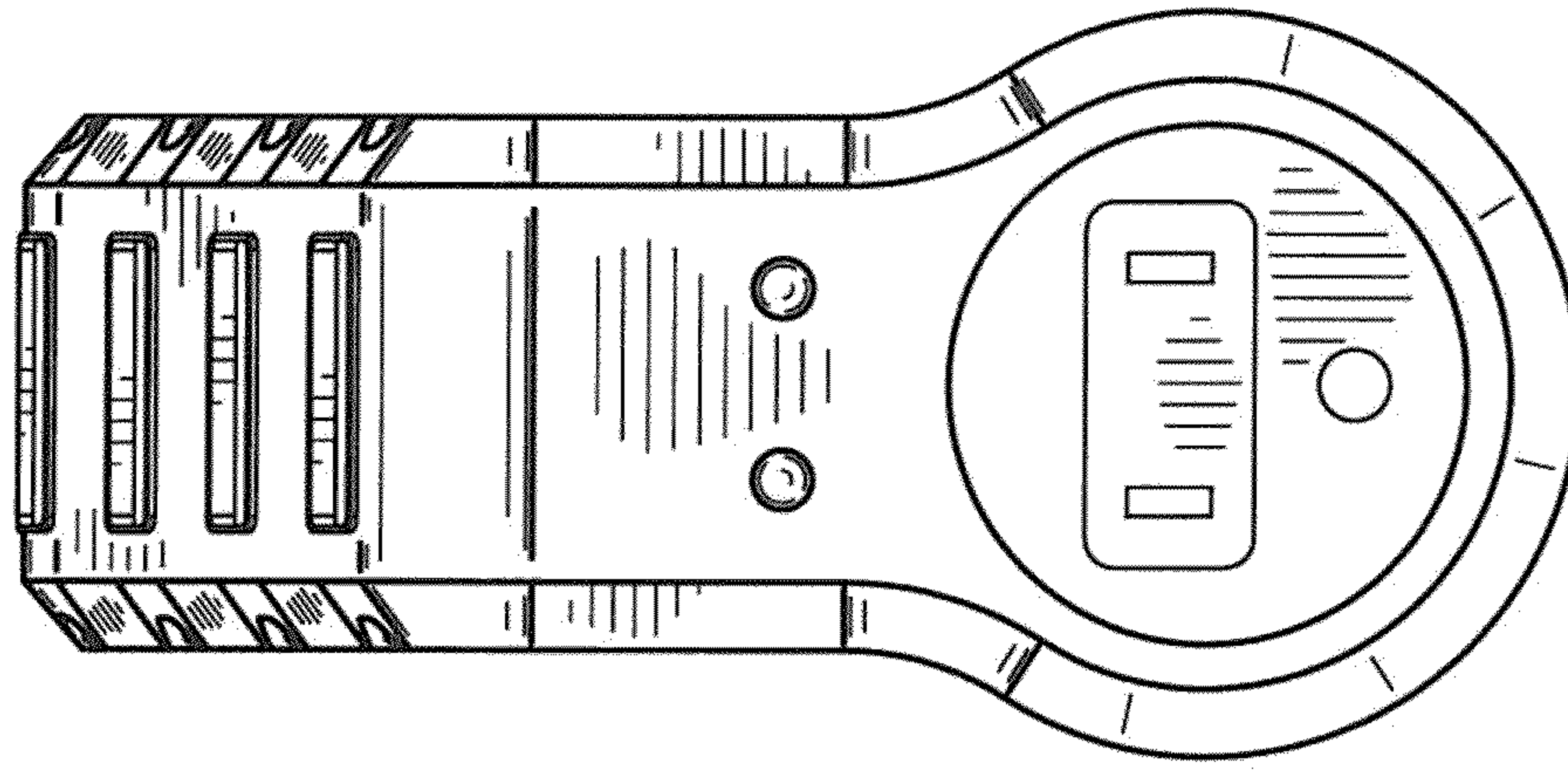


FIG. 5

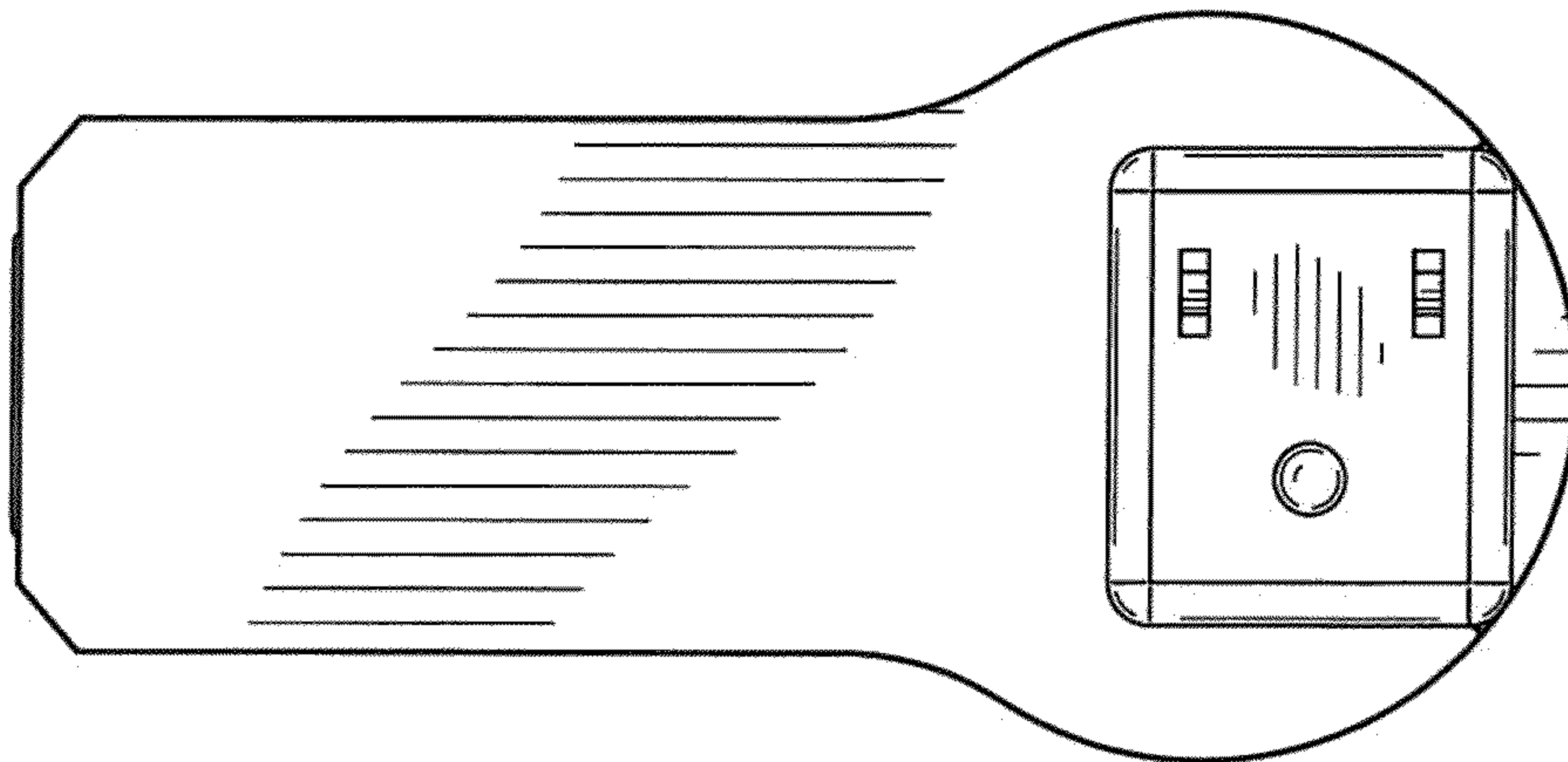


FIG. 6

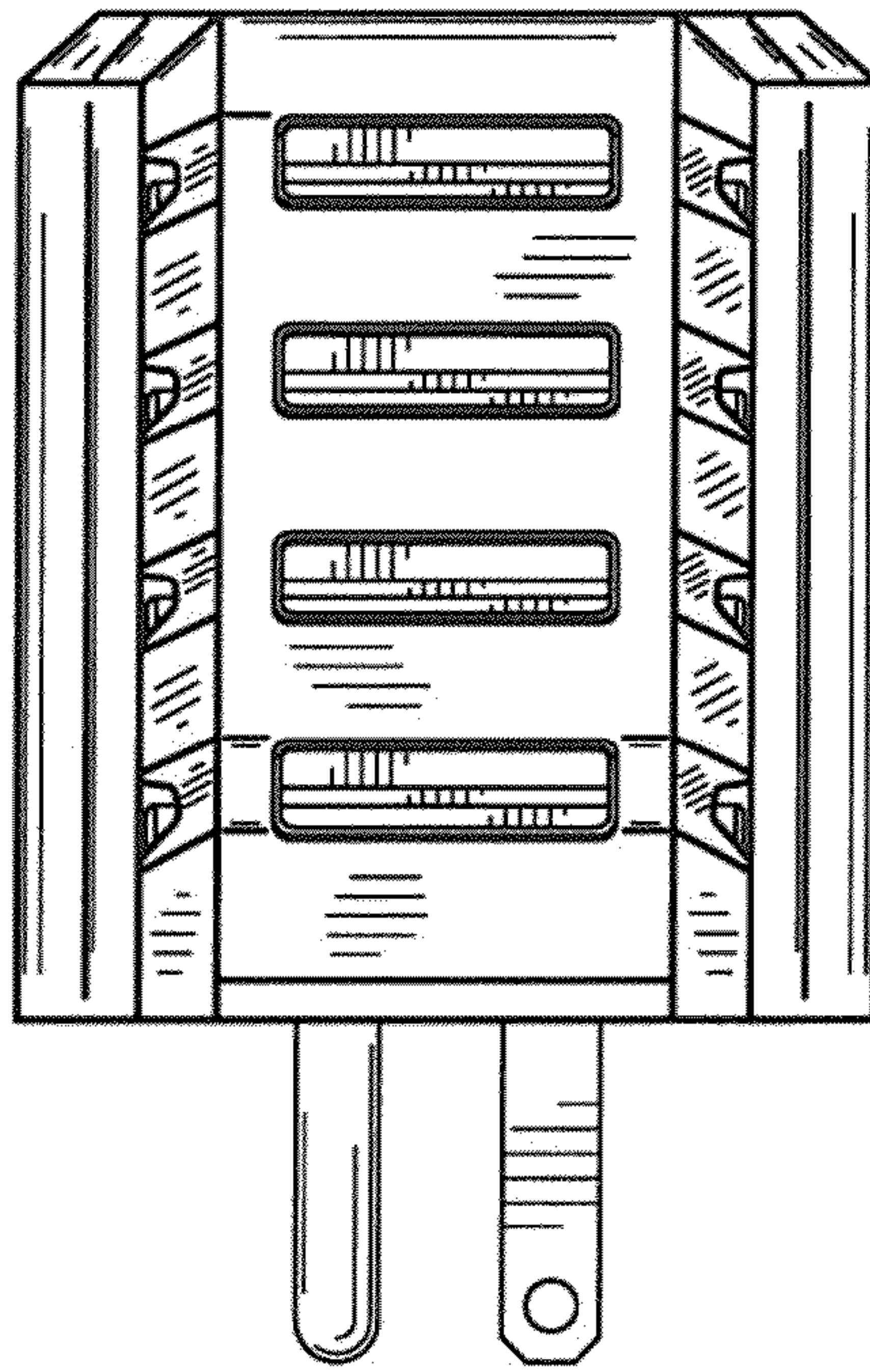


FIG. 7

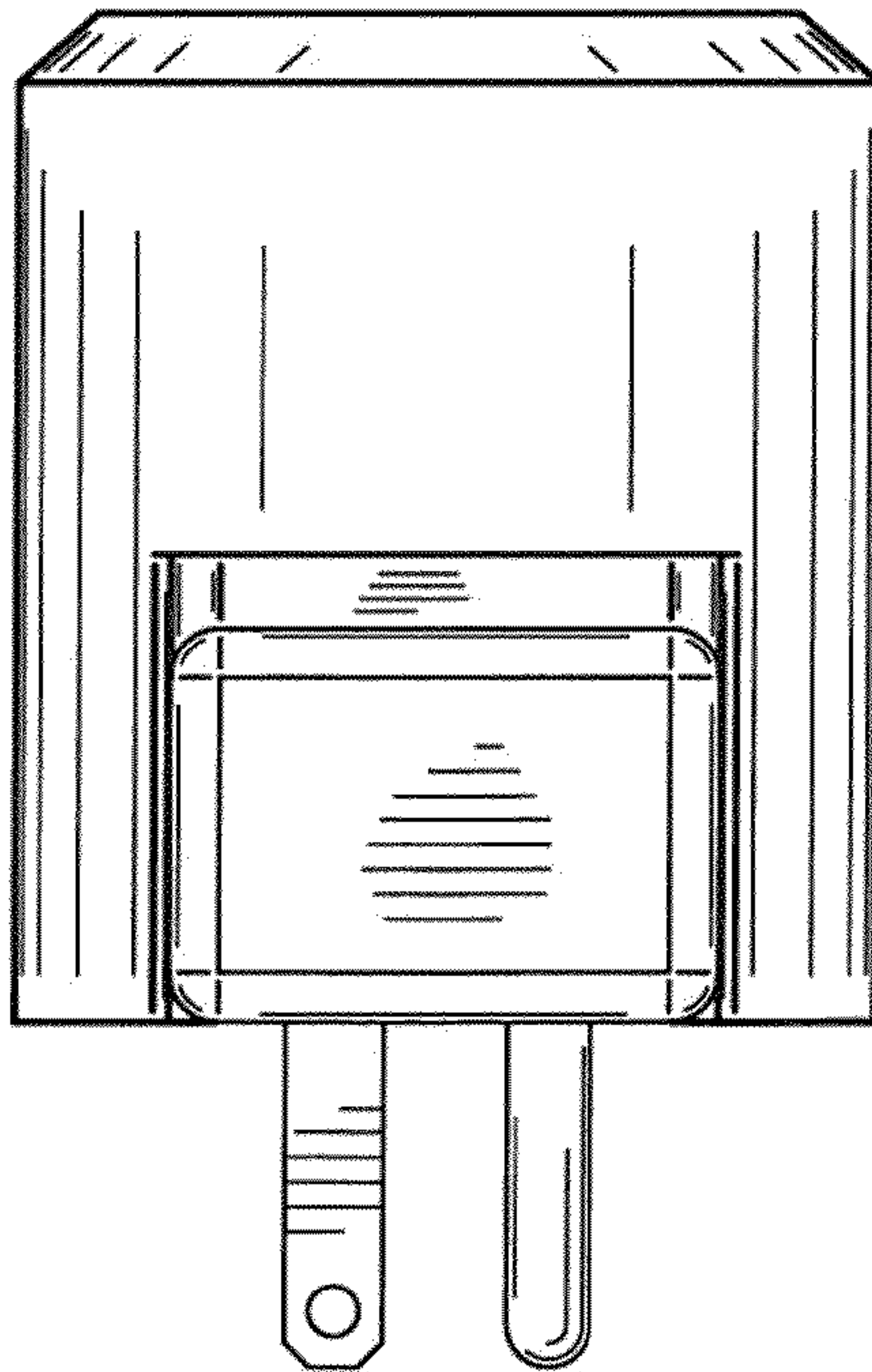


FIG. 8

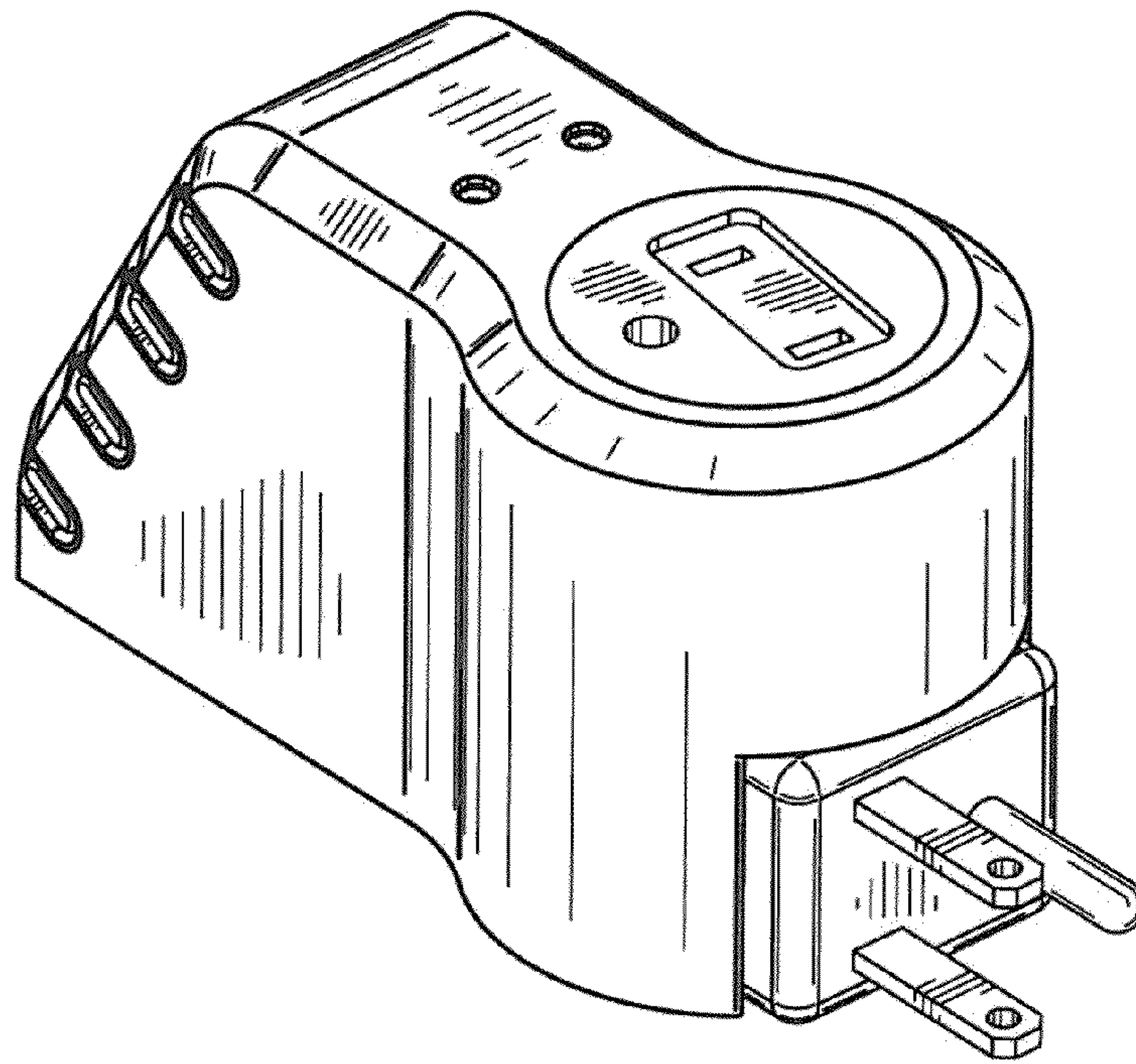


FIG. 9

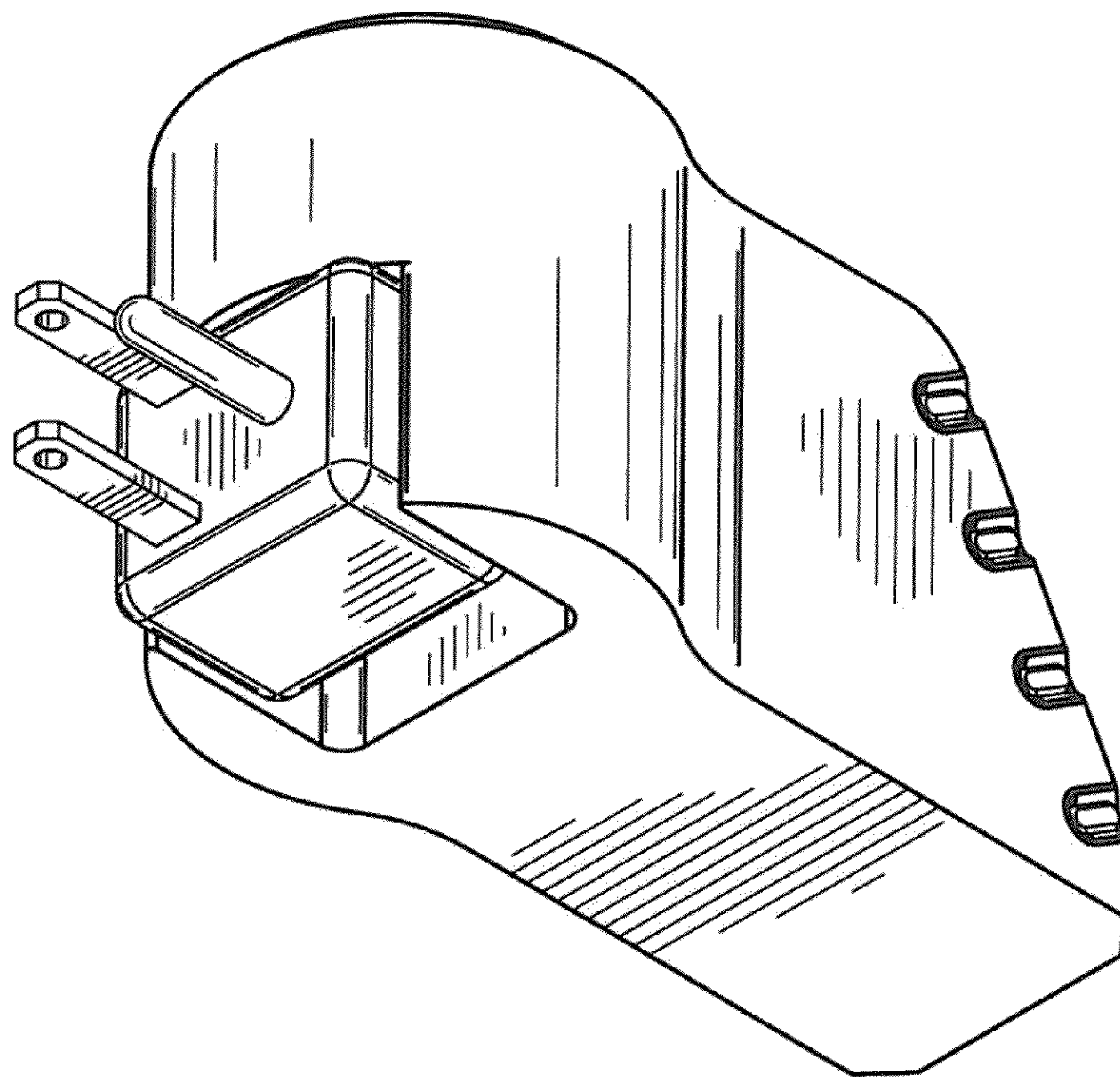


FIG. 10