



US00D685735S

(12) **United States Design Patent**
Wang

(10) **Patent No.:** **US D685,735 S**
(45) **Date of Patent:** **** Jul. 9, 2013**

(54) **PORTABLE POWER SOURCE**

(56) **References Cited**

(71) Applicant: **Double Power (Shenzhen) Electronics Co., Ltd., Shenzhen (CN)**

U.S. PATENT DOCUMENTS

(72) Inventor: **Xiaojun Wang, Shenzhen (CN)**

D397,423 S	8/1998	Short et al.	
D456,353 S *	4/2002	Shown et al.	D13/110
D544,834 S *	6/2007	Weinstein	D13/110
D568,810 S *	5/2008	Weinstein	D13/110
D585,022 S *	1/2009	Akita	D13/133
D654,867 S *	2/2012	Huppe	D13/110
D660,228 S *	5/2012	Matsuoka et al.	D13/110
D662,051 S	6/2012	Saunders et al.	
D663,685 S	7/2012	Yang	

(73) Assignee: **Double Power (Shenzhen) Electronics Co., Ltd., Shenzhen (CN)**

(**) Term: **14 Years**

* cited by examiner

(21) Appl. No.: **29/439,993**

Primary Examiner — Derrick Holland

(22) Filed: **Dec. 18, 2012**

(74) *Attorney, Agent, or Firm* — Hamre, Schumann, Mueller & Larson, P.C.

(51) **LOC (9) Cl.** **13-02**

(57) **CLAIM**

The ornamental design for a portable power source, as shown.

(52) **U.S. Cl.**

DESCRIPTION

USPC **D13/110**

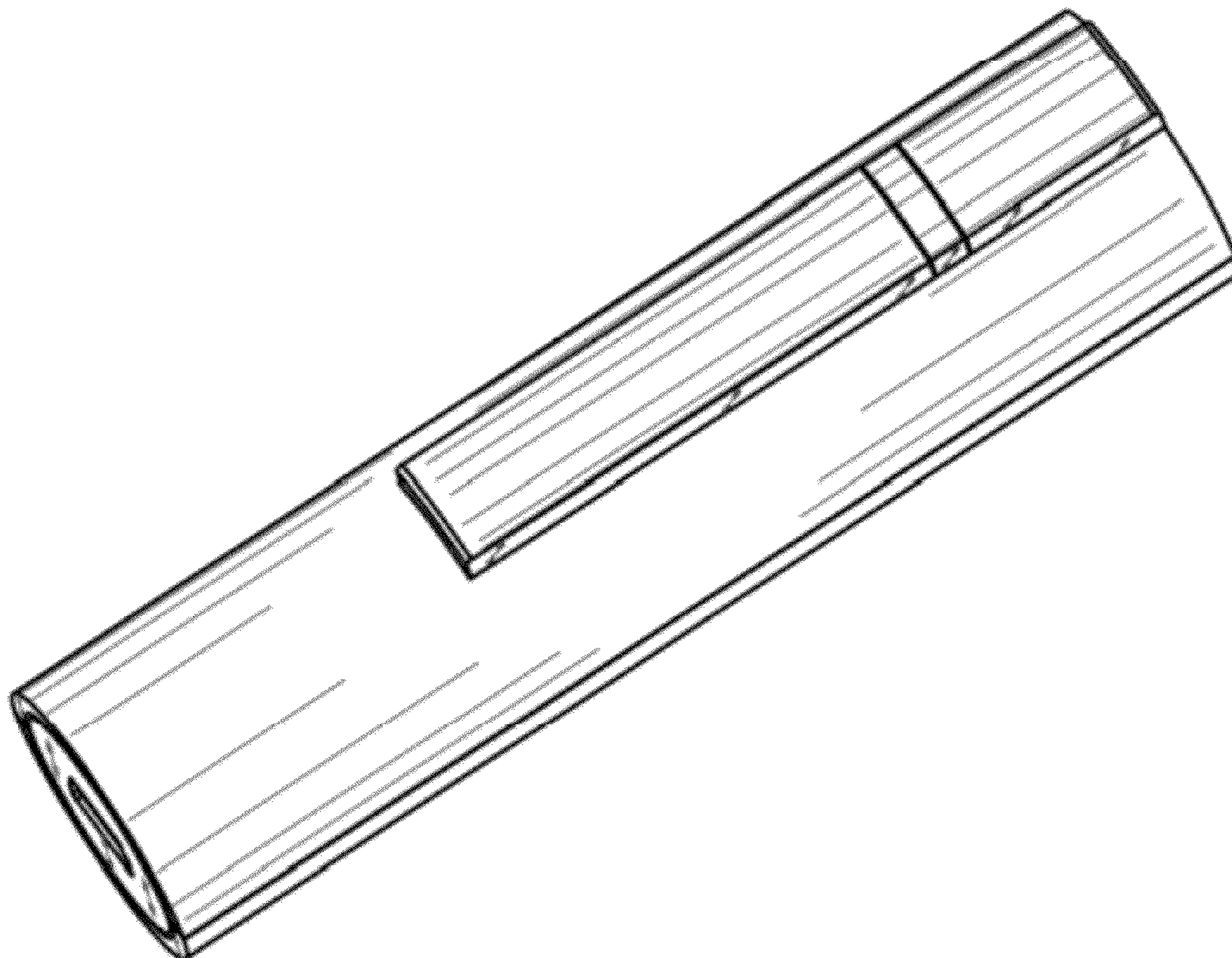
(58) **Field of Classification Search**

USPC D13/110, 107, 108, 118, 119, 123,
D13/133, 137.1, 184, 199; D14/251, 432,
D14/434; 174/53, 54, 59, 61; 307/11, 150,
307/151; 320/107, 111, 112, 113, 114, 115;
361/679.01; 363/142, 146; 439/131, 172,
439/626, 628, 638

FIG. 1 is a front elevation view of a portable power source showing my new design;
FIG. 2 is a rear elevation view thereof;
FIG. 3 is a left side elevation view thereof;
FIG. 4 is a right side elevation view thereof;
FIG. 5 is a bottom plan view thereof;
FIG. 6 is a top plan view thereof; and,
FIG. 7 is a perspective view thereof.

See application file for complete search history.

1 Claim, 1 Drawing Sheet



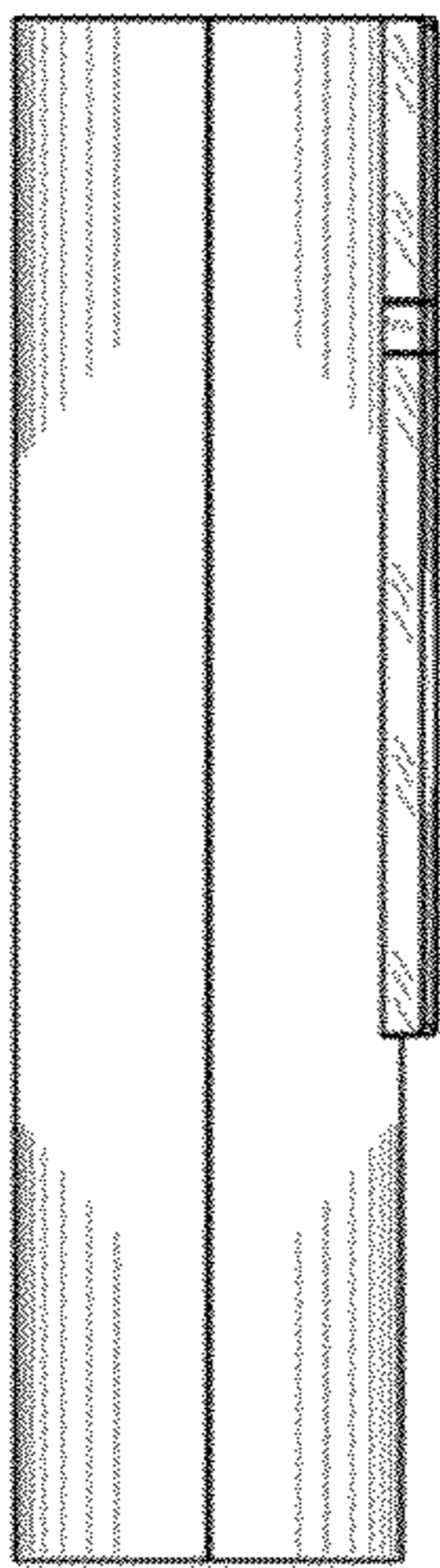


FIG. 3

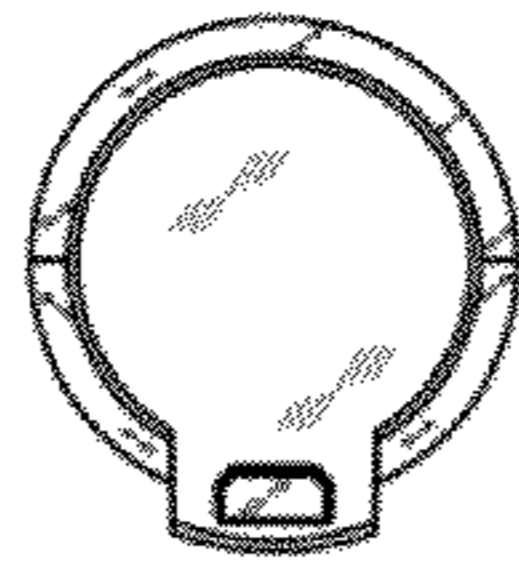


FIG. 5

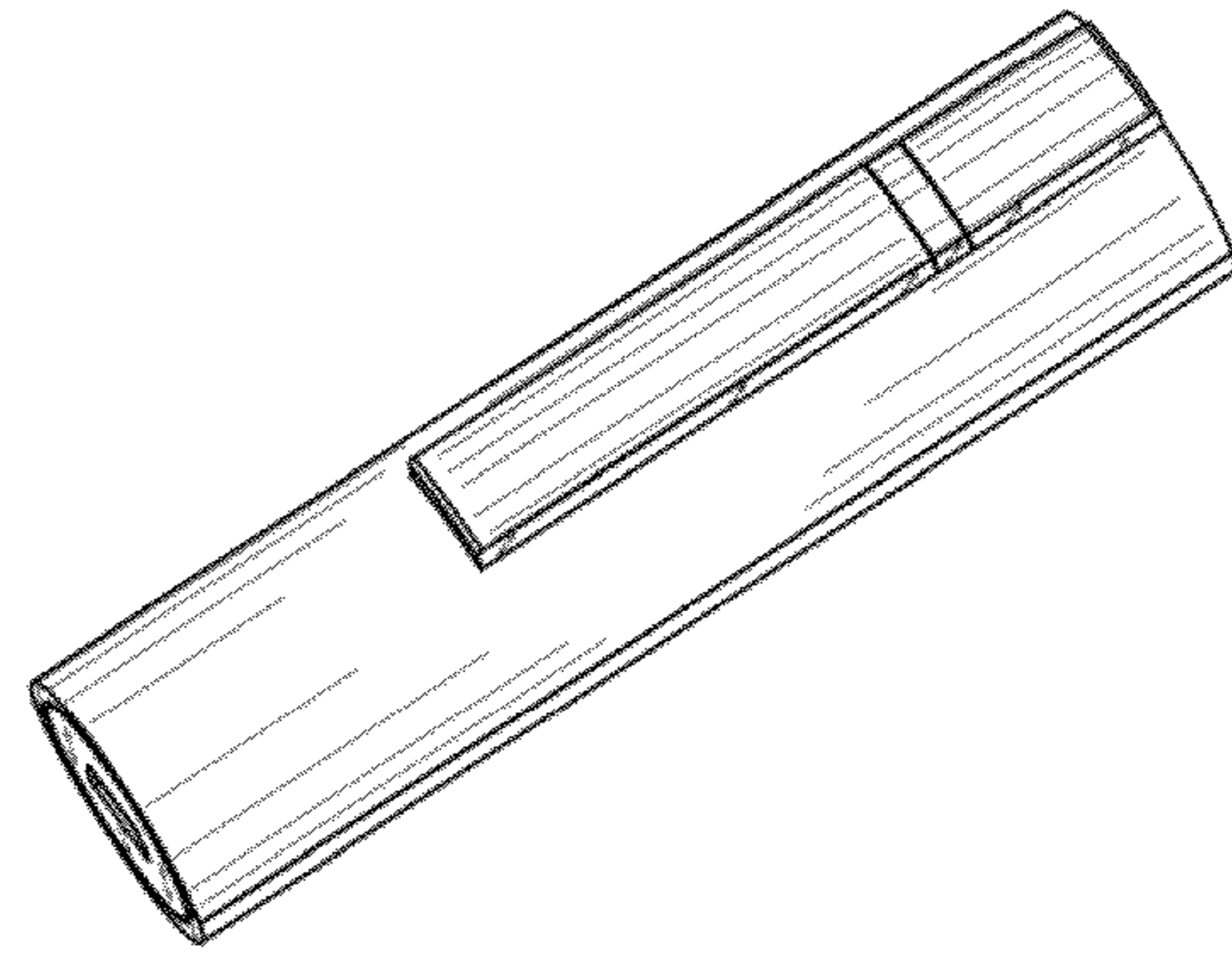


FIG. 7

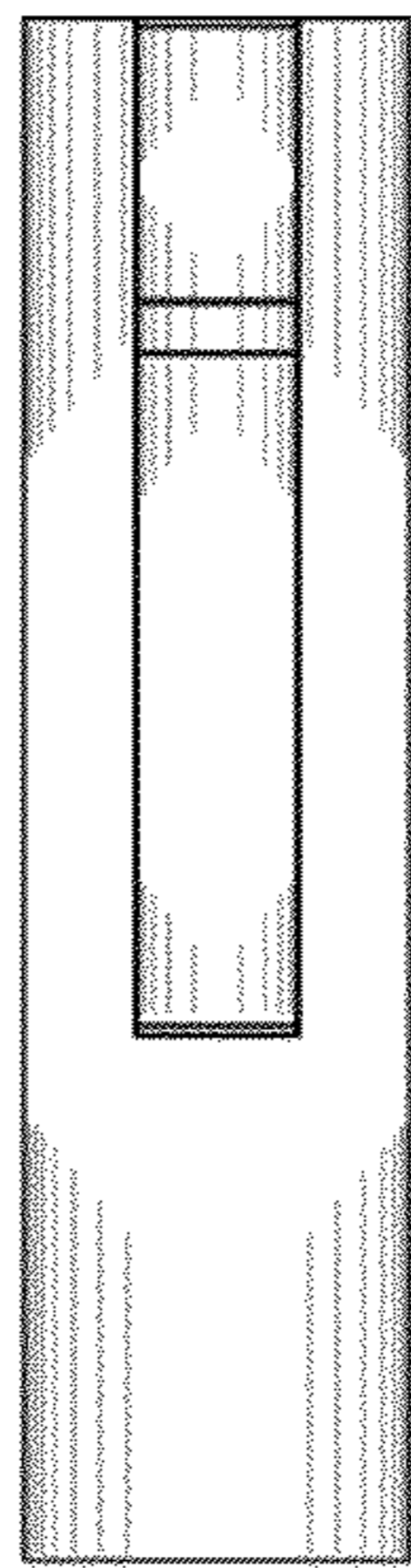


FIG. 1

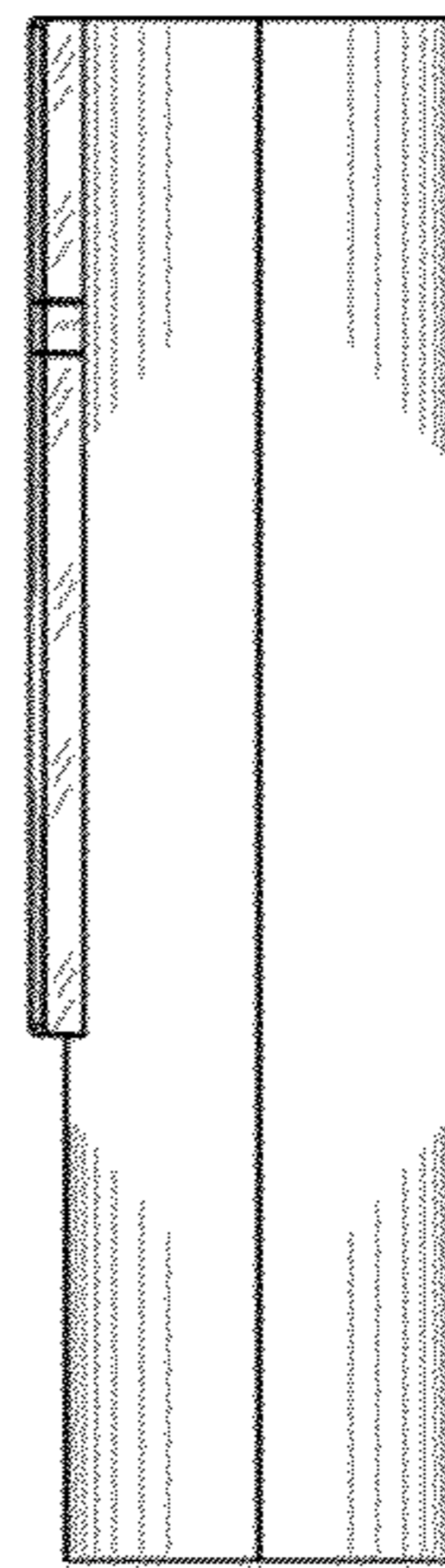


FIG. 4

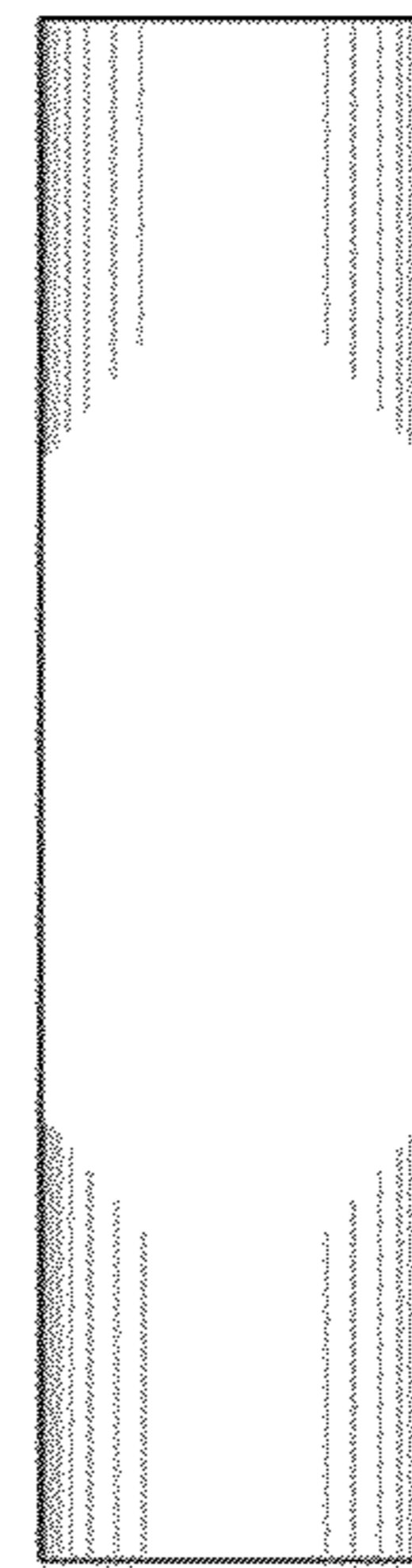


FIG. 2

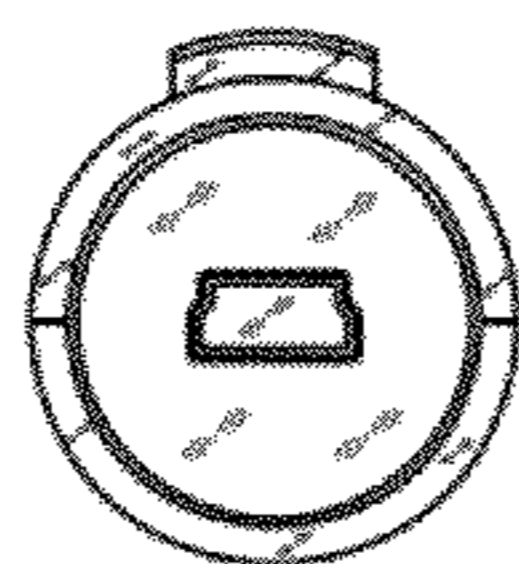


FIG. 6