



US00D685733S

(12) **United States Design Patent**
Savolainen et al.

(10) **Patent No.:** **US D685,733 S**
(45) **Date of Patent:** **** Jul. 9, 2013**

(54) **CABINET FOR A FREQUENCY CONVERTER**

(56) **References Cited**

(75) Inventors: **Jari Savolainen**, Lepsämä (FI); **Sakari Lilja**, Masala (FI); **Teemu Koivuniemi**, Espoo (FI); **Juha-Matti Holappa**, Espoo (FI)

(73) Assignee: **ABB Oy**, Helsinki (FI)

(**) Term: **14 Years**

(21) Appl. No.: **29/347,957**

(22) Filed: **Aug. 19, 2010**

(30) **Foreign Application Priority Data**

Feb. 24, 2010 (EM) 001673435-0001-0003

(51) **LOC (9) Cl.** **13-02**

(52) **U.S. Cl.**
USPC **D13/110**

(58) **Field of Classification Search**
USPC D13/110, 101, 122, 123, 184, 199; D15/5;
123/185.1, 185.14; 290/47, 48; 310/89, 109;
361/600, 601, 622, 702, 703, 717, 730, 809;
363/141, 142

See application file for complete search history.

U.S. PATENT DOCUMENTS

D403,301	S	*	12/1998	Lehmann et al.	D13/110
6,249,435	B1	*	6/2001	Vicente et al.	361/717
D455,399	S	*	4/2002	Imamura et al.	D13/110
D455,714	S	*	4/2002	Kim	D13/110
6,650,559	B1	*	11/2003	Okamoto et al.	363/141
D502,916	S	*	3/2005	Higuchi et al.	D13/110
D541,745	S	*	5/2007	Violainen	D13/110
D586,744	S	*	2/2009	Jaskari	D13/110
D595,225	S	*	6/2009	Juva	D13/110

* cited by examiner

Primary Examiner — Derrick Holland

(74) *Attorney, Agent, or Firm* — Dykema Gossett PLLC

(57) **CLAIM**

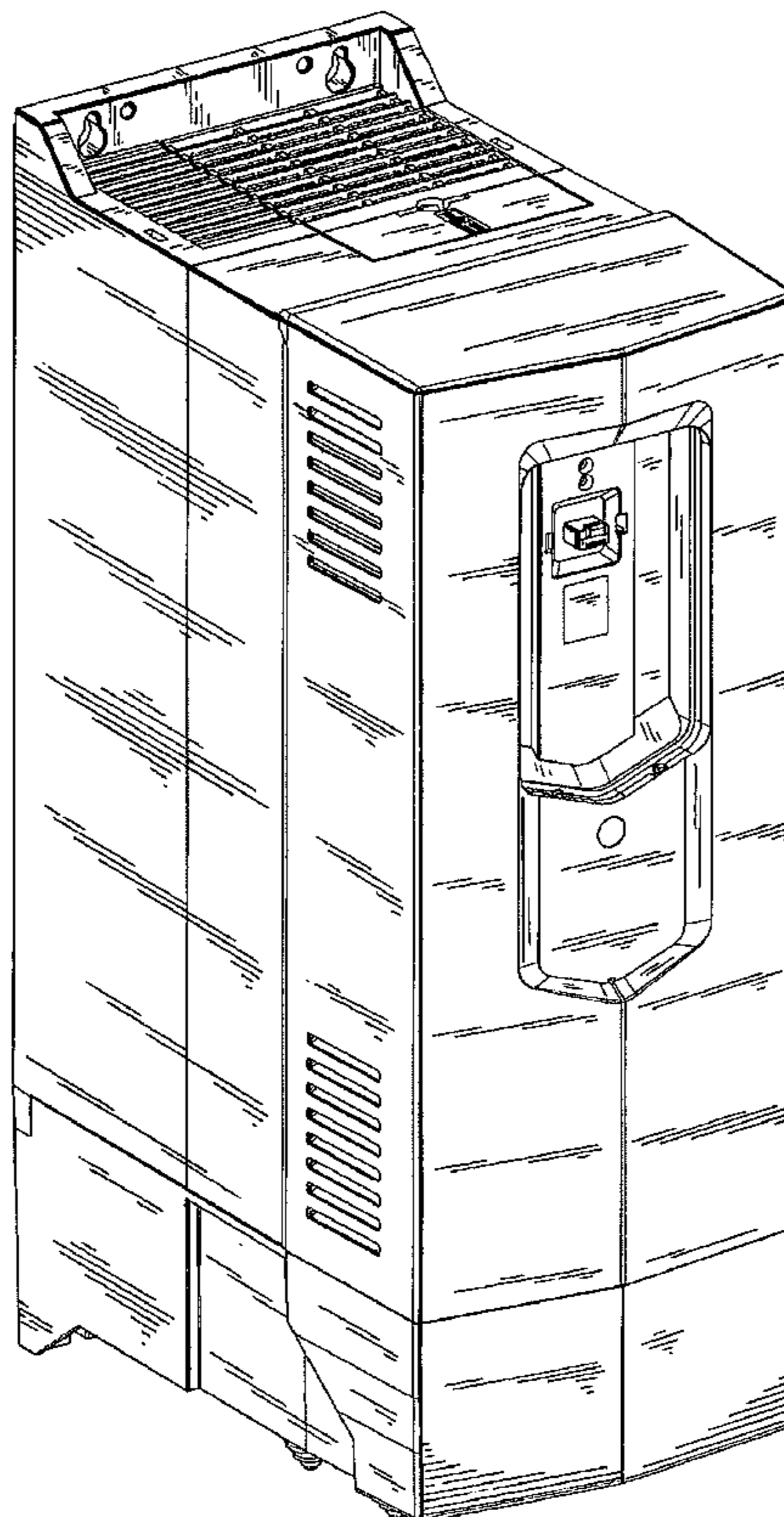
The ornamental design for a cabinet for a frequency converter, as shown and described.

DESCRIPTION

FIG. 1 is a perspective top, front and left side view of a cabinet for a frequency converter showing our new design; FIG. 2 is a front view thereof; FIG. 3 is left side view thereof; FIG. 4 is a right side view thereof; FIG. 5 is a top view thereof; FIG. 6 is a bottom view thereof; and, FIG. 7 is a rear view thereof.

The broken lines shown represent unclaimed subject matter and form no part of the claimed design.

1 Claim, 7 Drawing Sheets



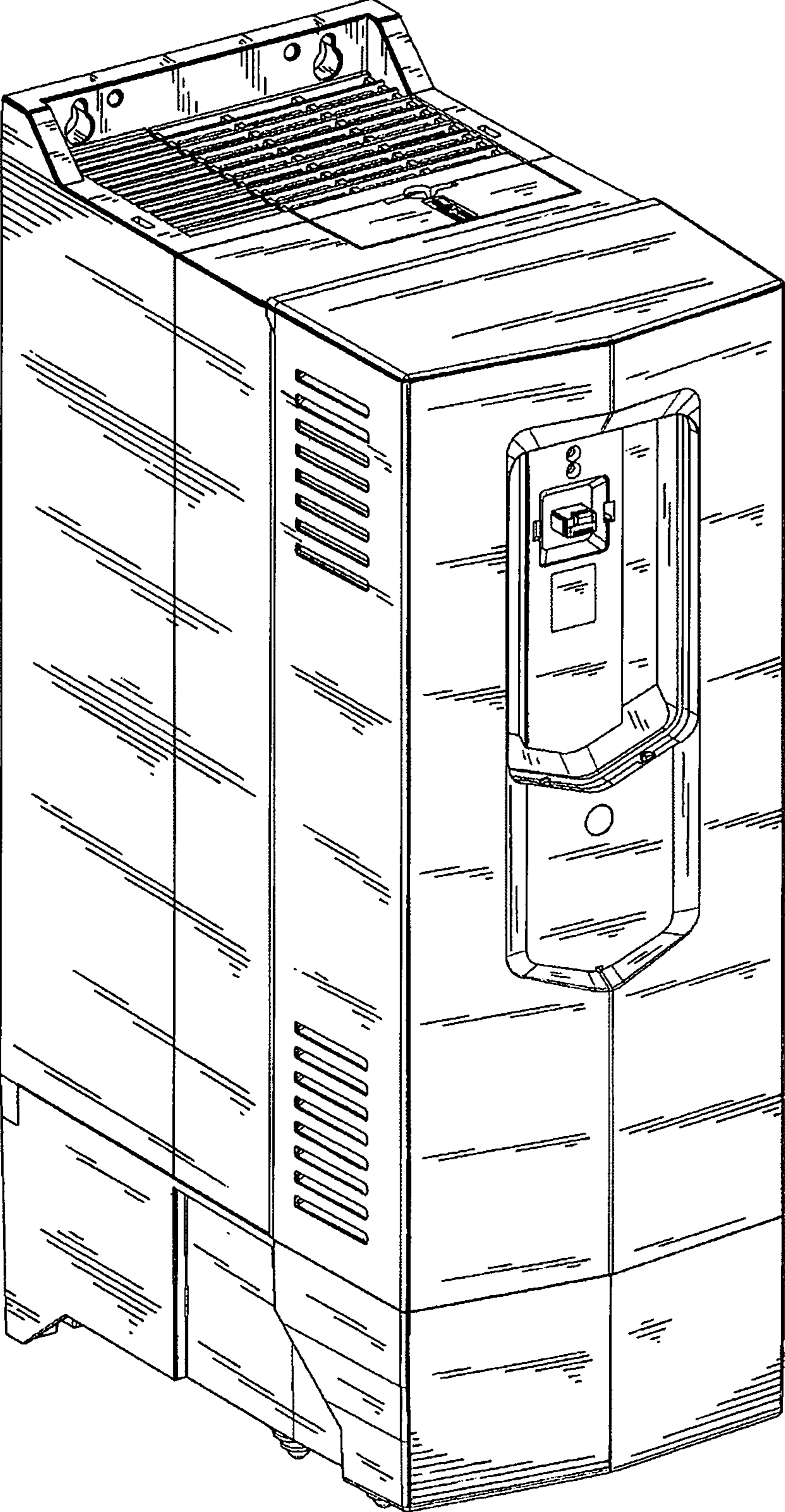


Fig. 1

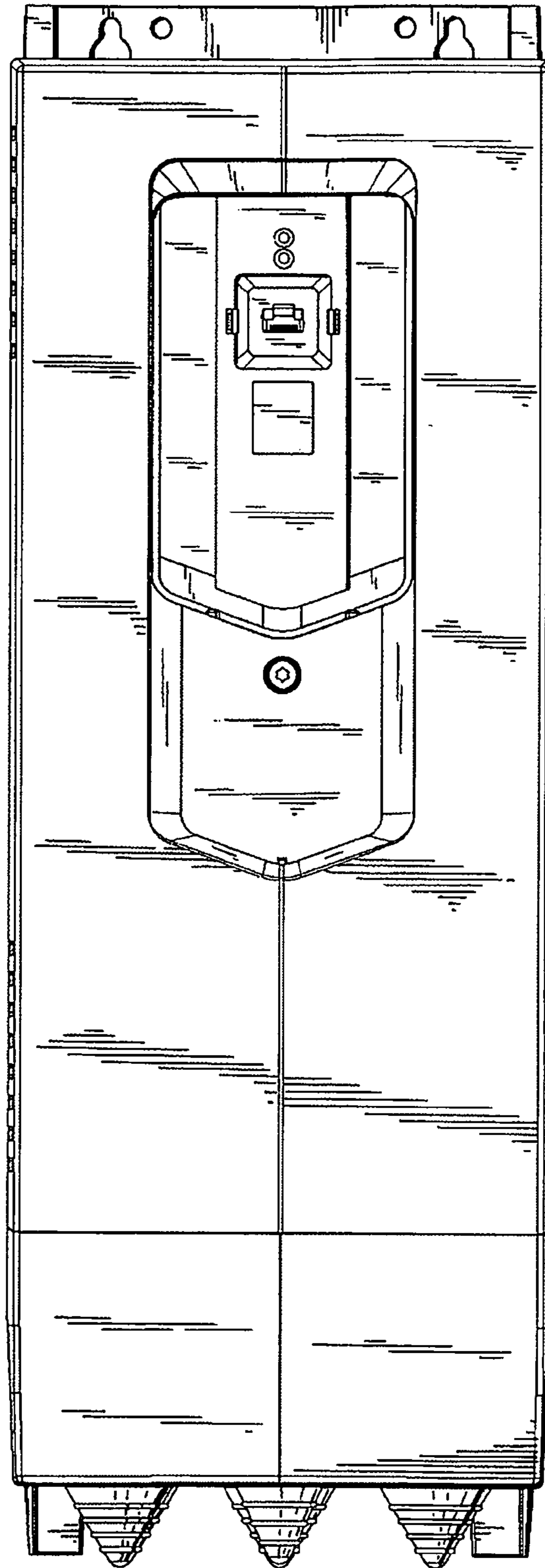


Fig. 2

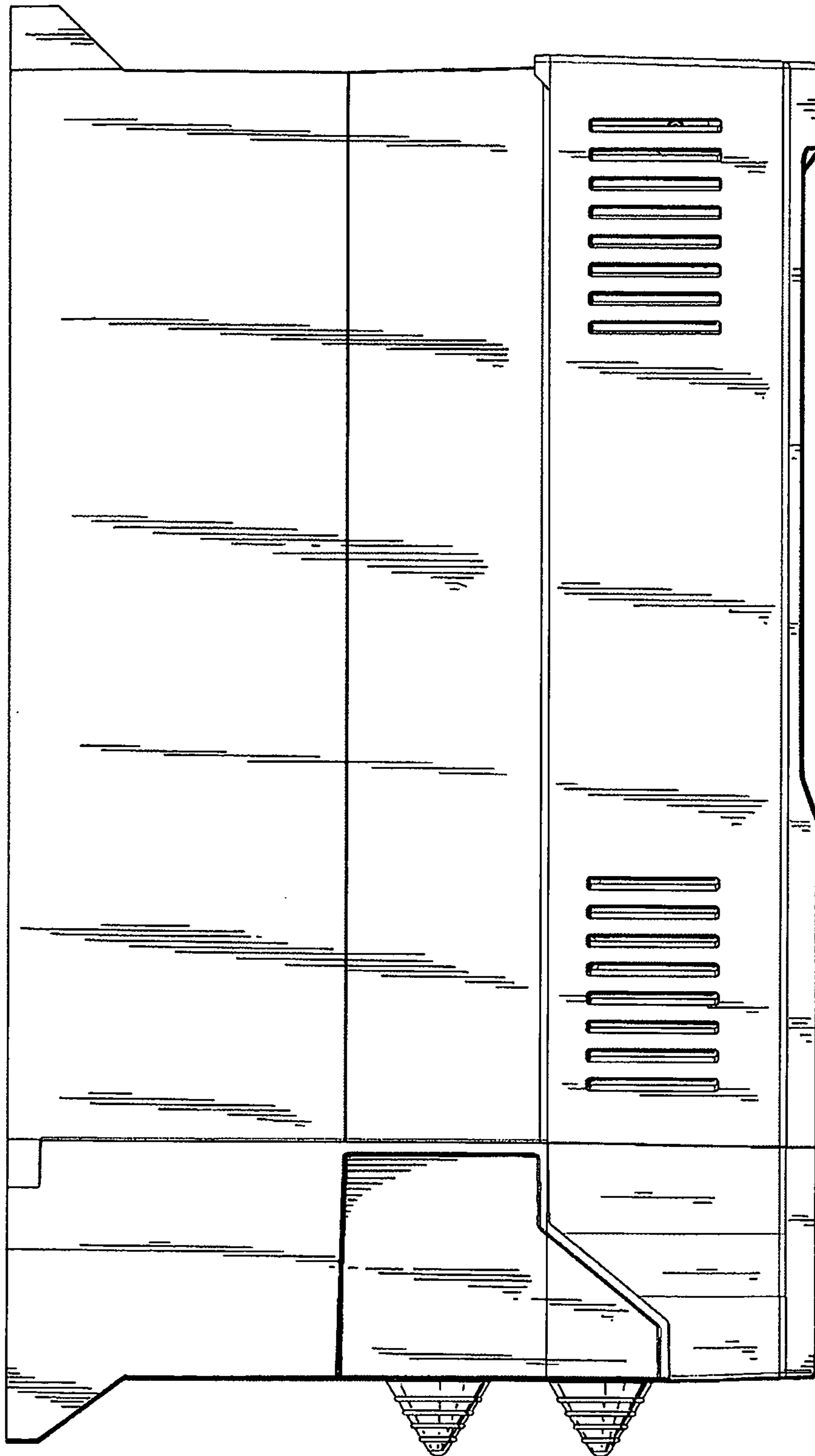


Fig. 3

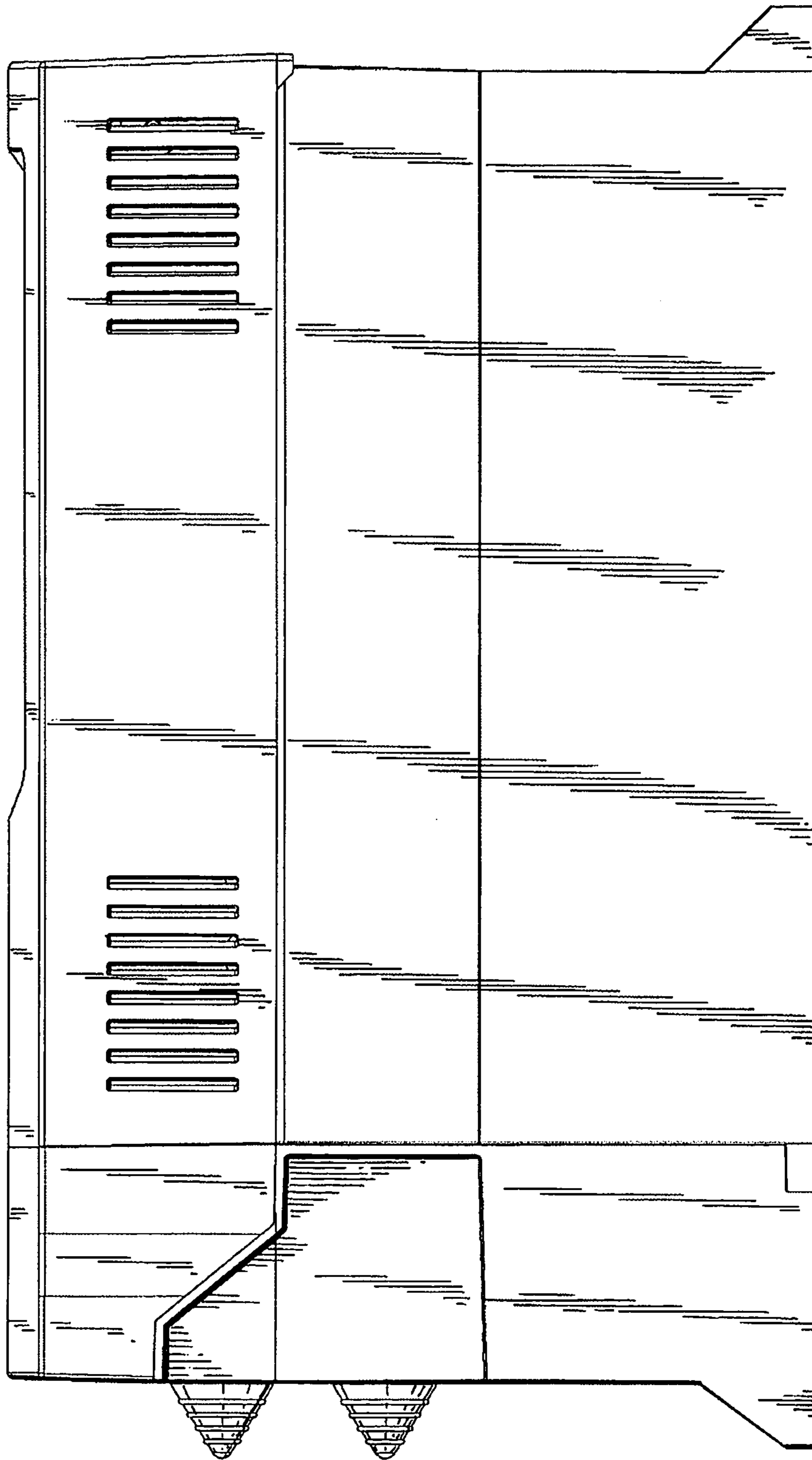


Fig. 4

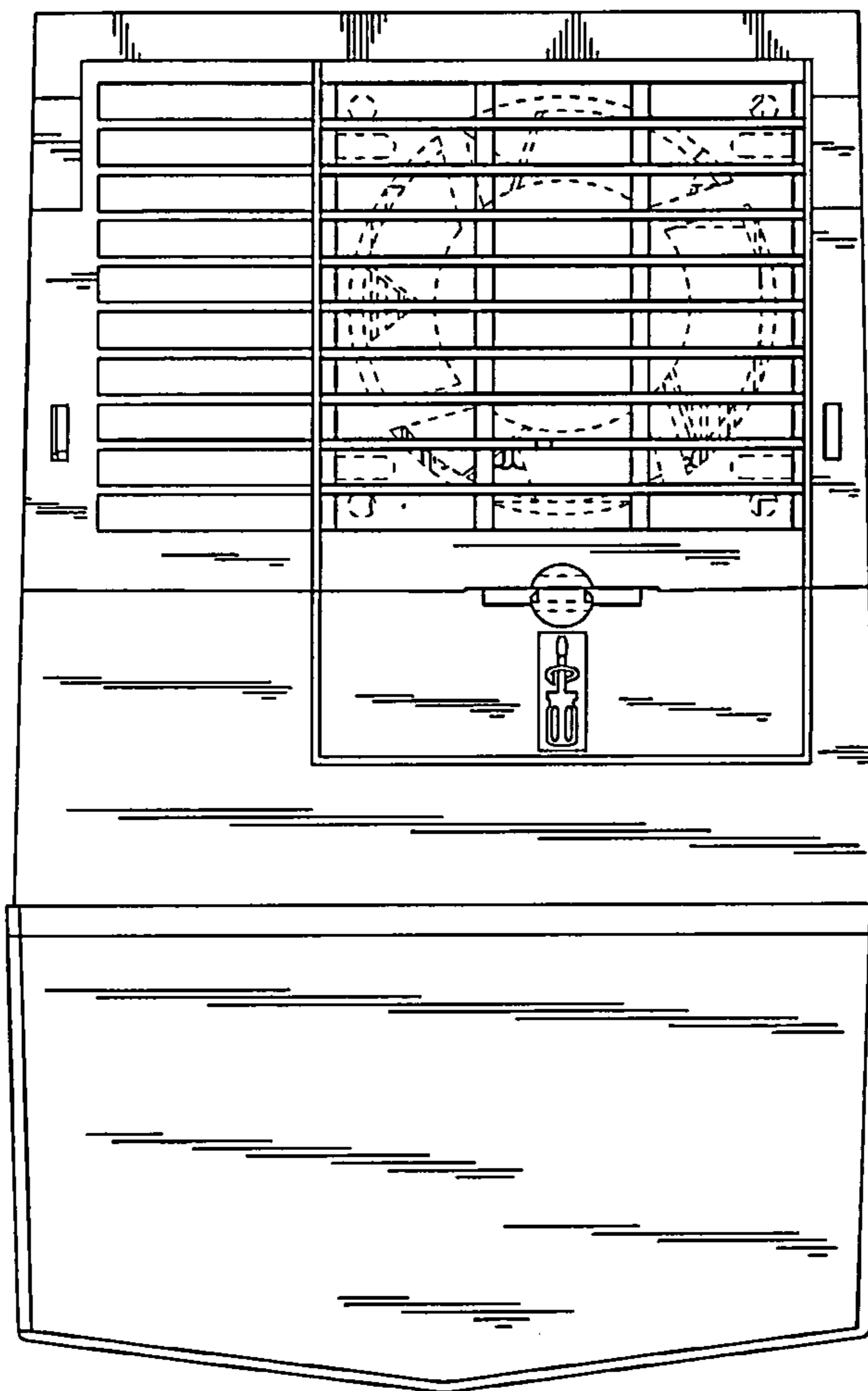


Fig. 5

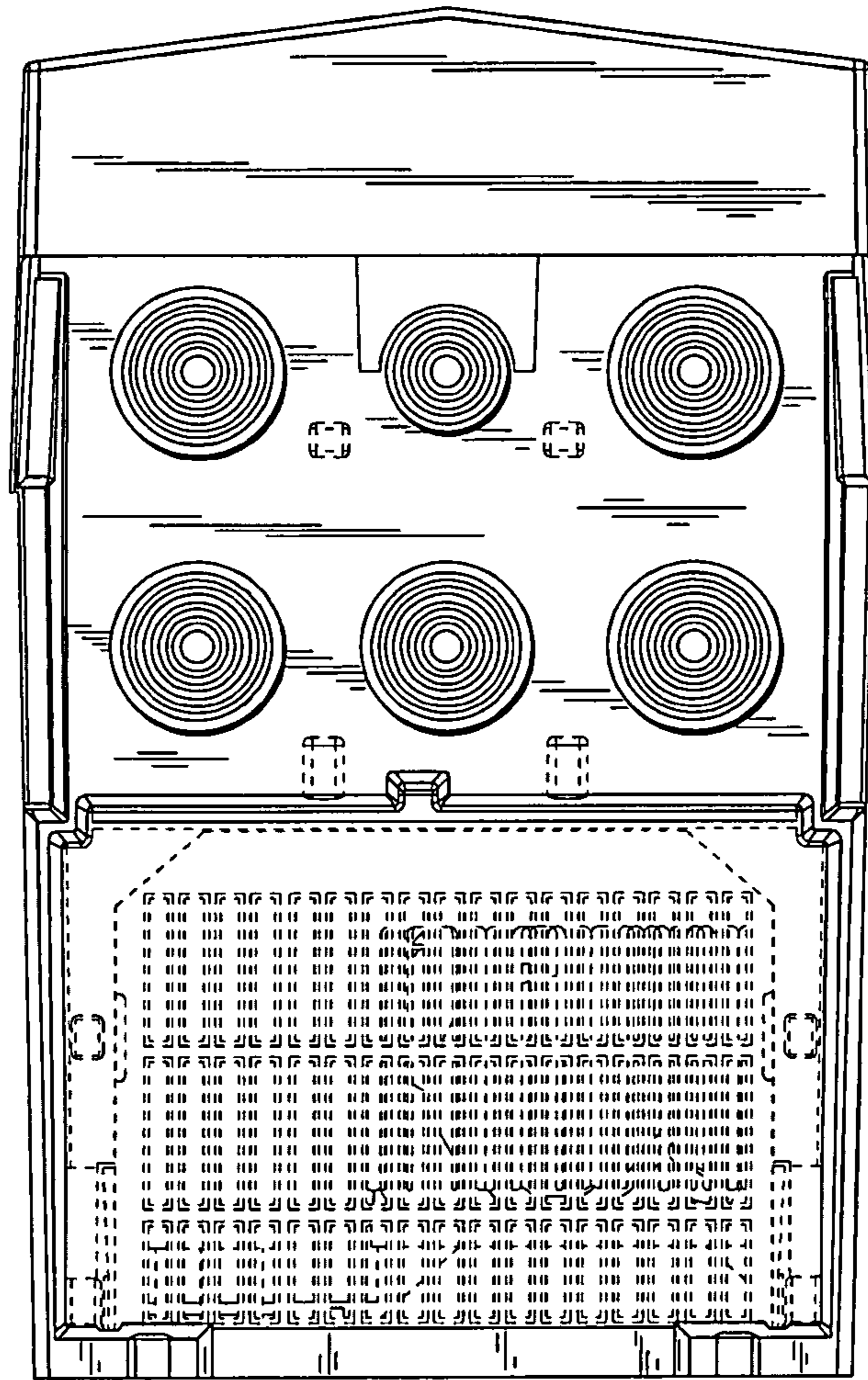


Fig. 6

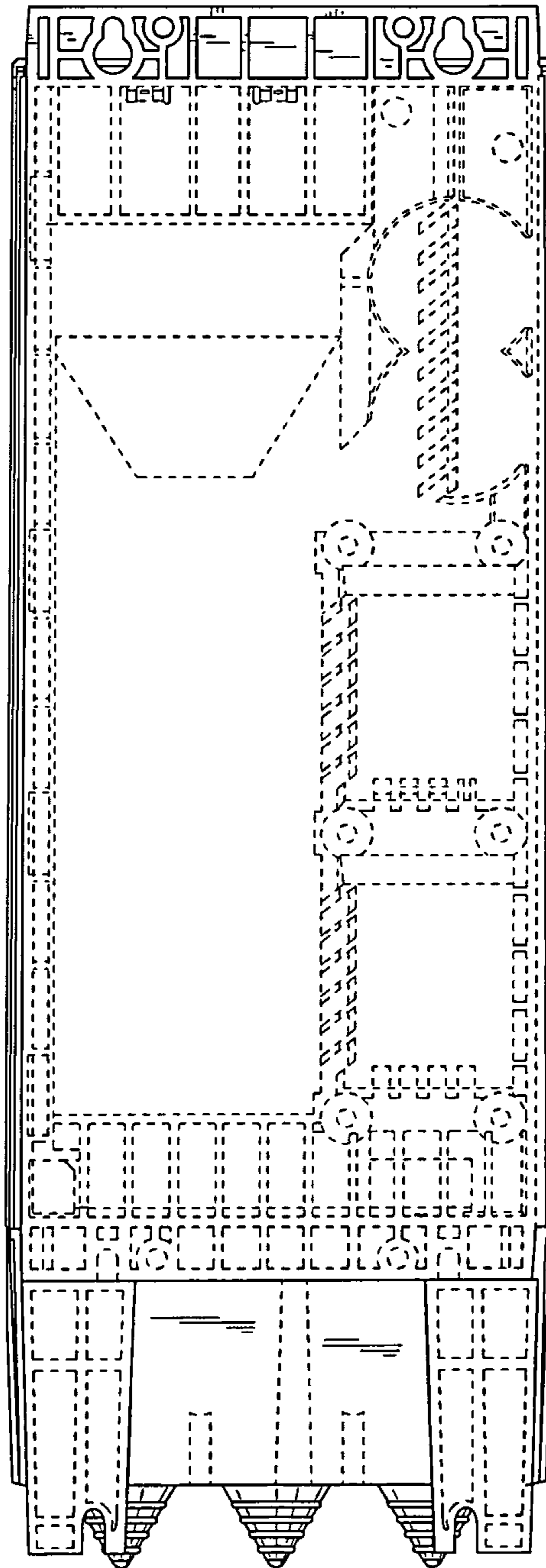


Fig. 7