



US00D685732S

(12) **United States Design Patent**  
**Miller et al.**

(10) **Patent No.:** **US D685,732 S**  
(45) **Date of Patent:** **\*\* Jul. 9, 2013**

- (54) **FLAT CHARGING CABLE**
- (71) Applicants: **Adam C Miller**, Los Angeles, CA (US);  
**Noah Dentzel**, Santa Barbara, CA (US)
- (72) Inventors: **Adam C Miller**, Los Angeles, CA (US);  
**Noah Dentzel**, Santa Barbara, CA (US)
- (\*\*) Term: **14 Years**
- (21) Appl. No.: **29/434,404**
- (22) Filed: **Oct. 12, 2012**
- (51) **LOC (9) Cl.** ..... **13-02**
- (52) **U.S. Cl.**  
USPC ..... **D13/108; D13/147**
- (58) **Field of Classification Search**  
USPC ..... D13/107–110, 118–119, 133, 146–147,  
D13/184, 199; D14/217, 251, 253, 432–435,  
D14/435.1, 436, 480.1, 480.3, 480.4;  
320/107–115; 710/300, 301; 439/131, 135–147  
See application file for complete search history.

(56) **References Cited**

U.S. PATENT DOCUMENTS

- 6,424,118 B1 \* 7/2002 Tu ..... 320/115
- D487,259 S \* 3/2004 Obata ..... D14/167
- D599,795 S \* 9/2009 Lindley ..... D14/358
- D645,049 S \* 9/2011 Faranda et al. .... D14/480.5
- D645,050 S \* 9/2011 Faranda et al. .... D14/480.5
- D647,530 S \* 10/2011 Busch ..... D14/480.3

- D647,531 S \* 10/2011 Busch ..... D14/480.3
- D647,532 S \* 10/2011 Busch ..... D14/480.3
- 8,049,463 B2 \* 11/2011 Kumeuchi et al. .... 320/116
- D652,379 S \* 1/2012 Vandiver ..... D13/108
- D653,207 S \* 1/2012 Vandiver ..... D13/108
- D656,096 S \* 3/2012 Sasada et al. .... D13/108
- D674,748 S \* 1/2013 Ferber et al. .... D13/108

\* cited by examiner

*Primary Examiner* — Rosemary K Tarcza

(74) *Attorney, Agent, or Firm* — QuickPatents; Kevin Prince

(57) **CLAIM**

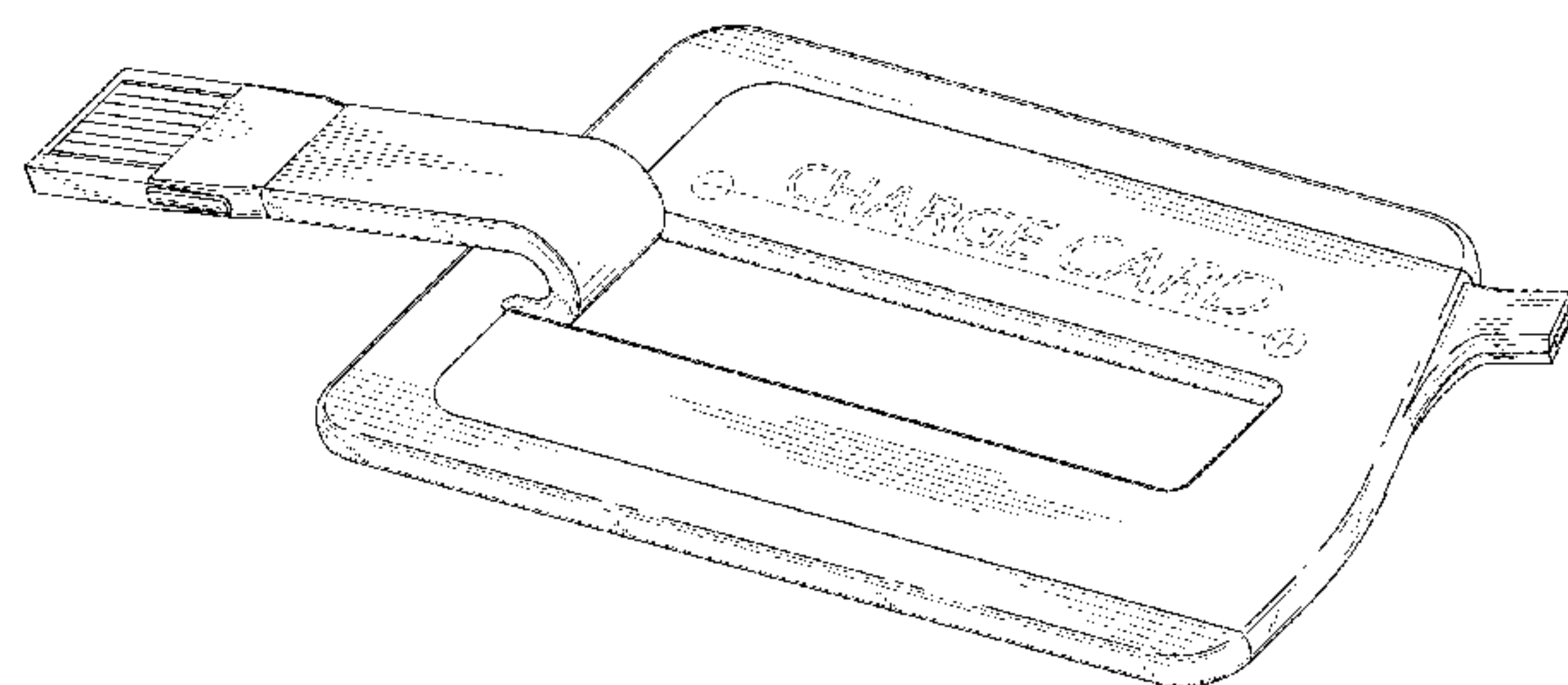
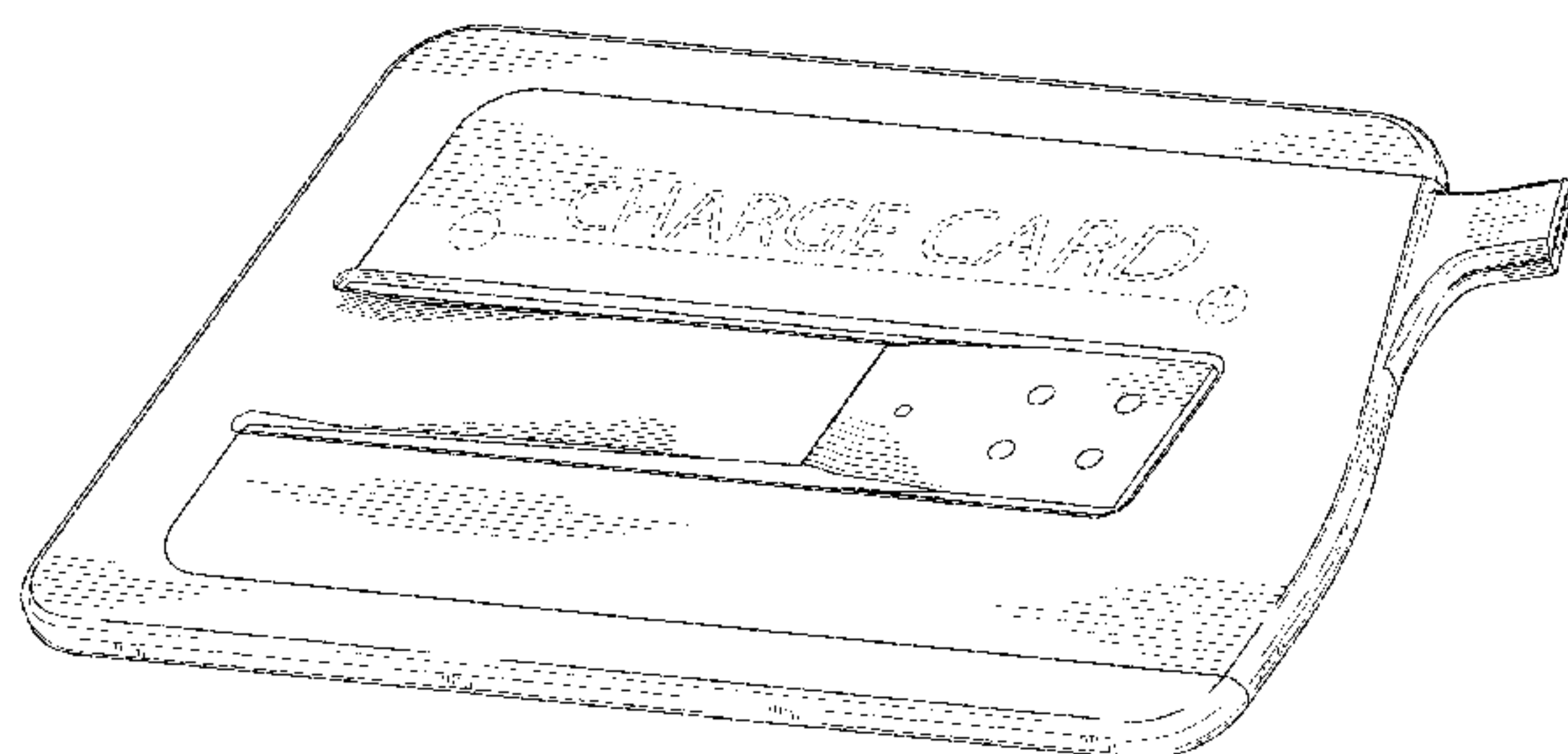
We claim the ornamental design for a flat charging cable, as shown and described.

**DESCRIPTION**

FIG. 1 is a top perspective view of a flat charging cable, showing our new design in a flat configuration;  
 FIG. 2 is a right-side elevational view of FIG. 1;  
 FIG. 3 is a left-side elevational view of FIG. 1;  
 FIG. 4 is a front elevational view of FIG. 1;  
 FIG. 5 is a rear elevational view of FIG. 1;  
 FIG. 6 is a bottom plan view of FIG. 1;  
 FIG. 7 is a top plan view of FIG. 1;  
 FIG. 8 is a top perspective view of the flat charging cable in a deployed configuration; and,  
 FIG. 9 is a left-side elevational view of FIG. 8.

The broken lines showing indicia in the figures depict environmental matter and form no part of the claimed design.

**1 Claim, 4 Drawing Sheets**



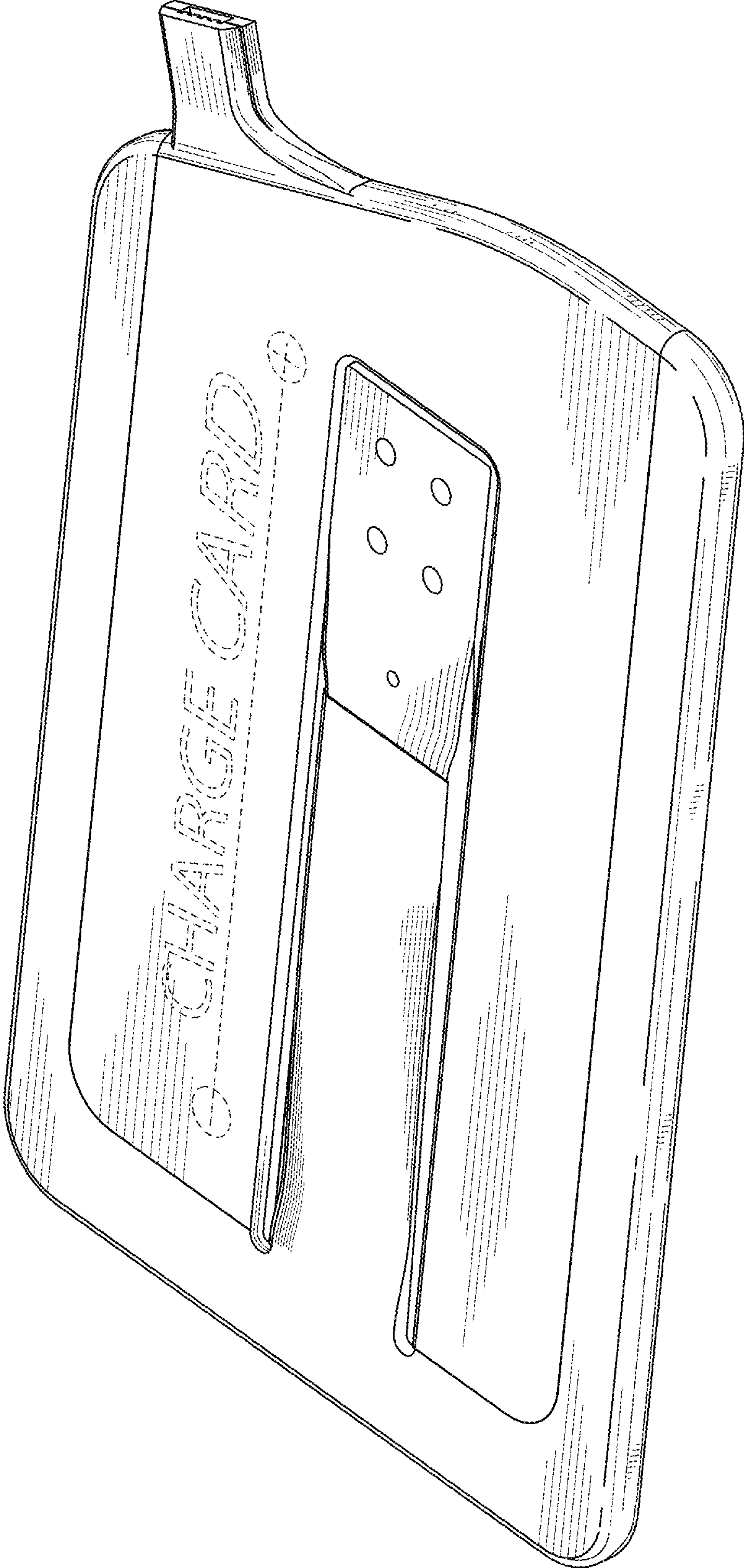


FIG. 1



FIG. 2

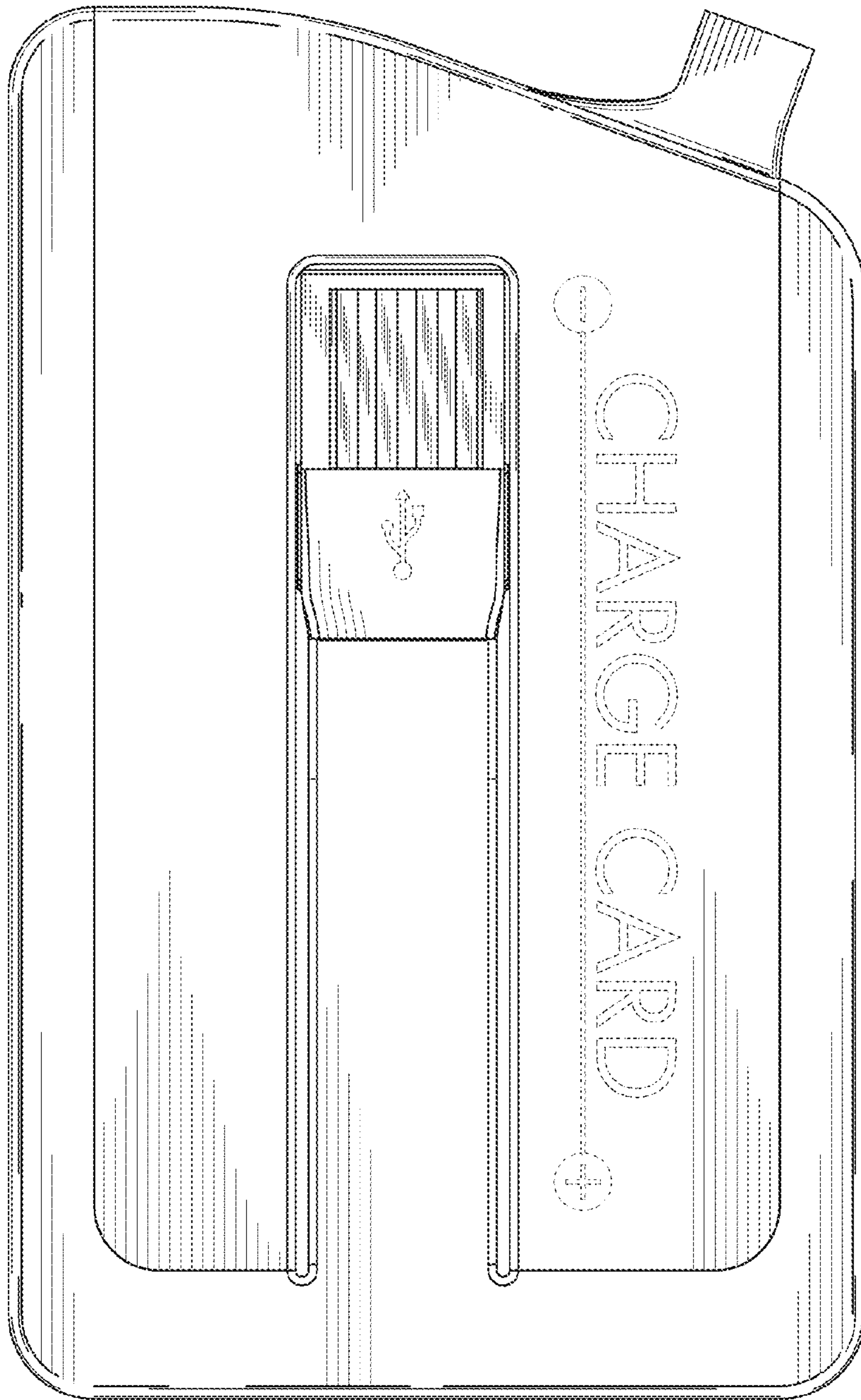


FIG. 6

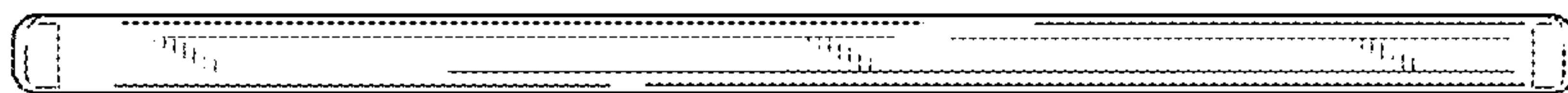


FIG. 4





FIG. 5

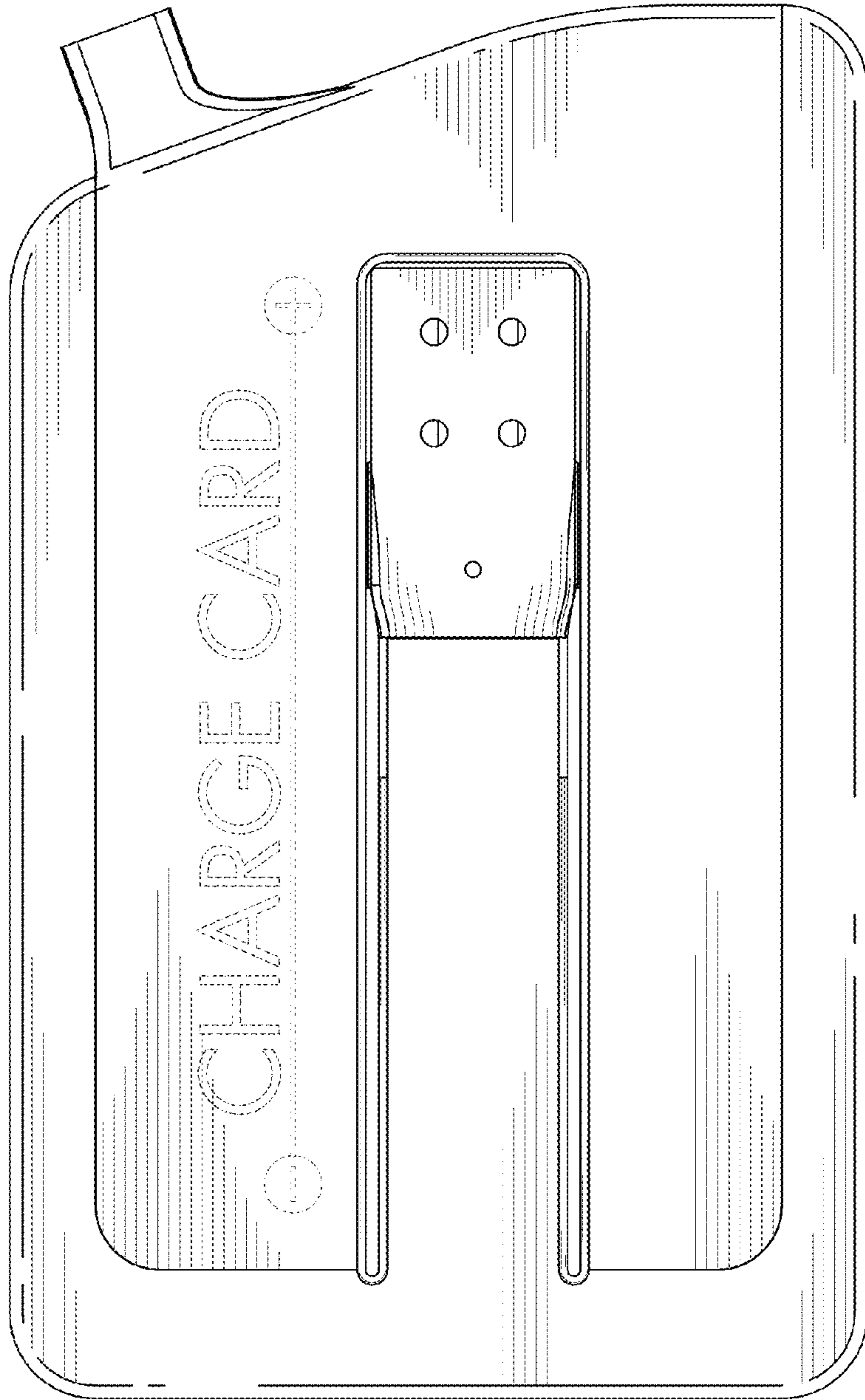


FIG. 7



FIG. 3

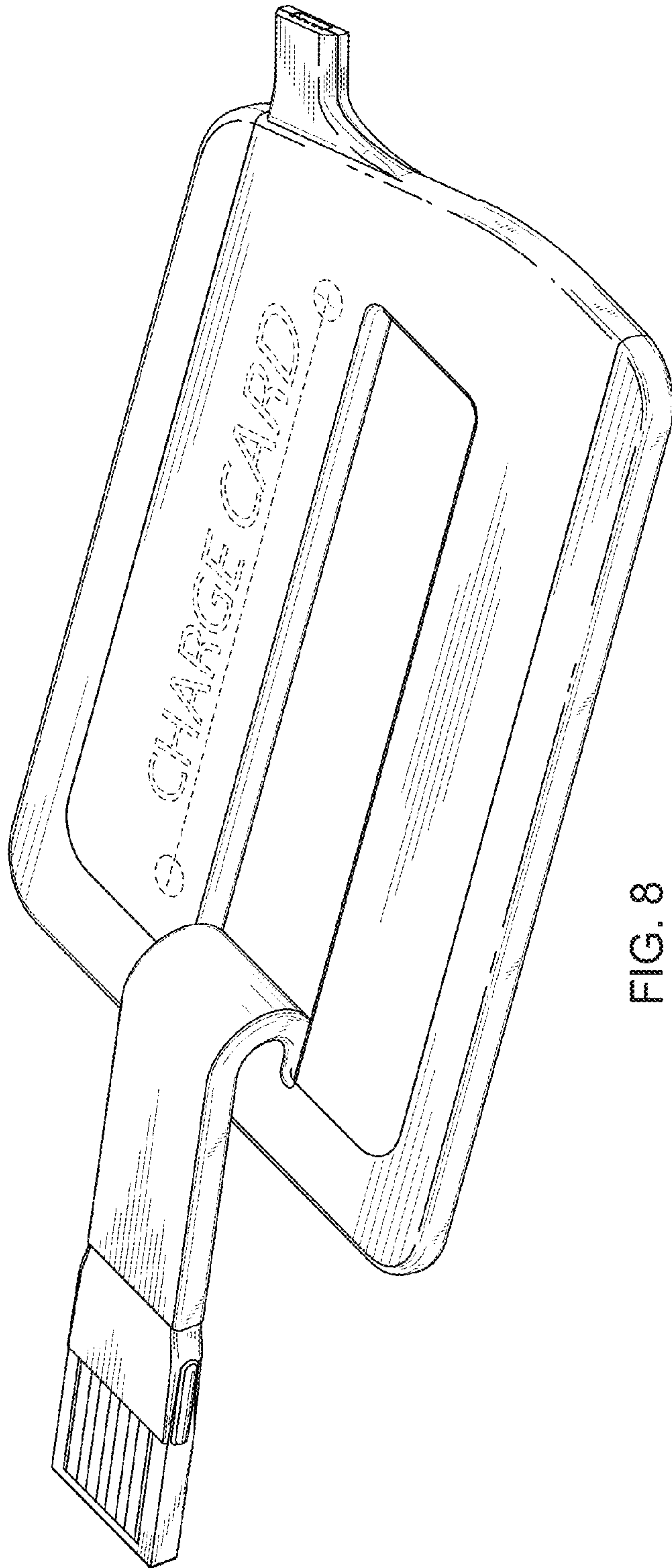


FIG. 8

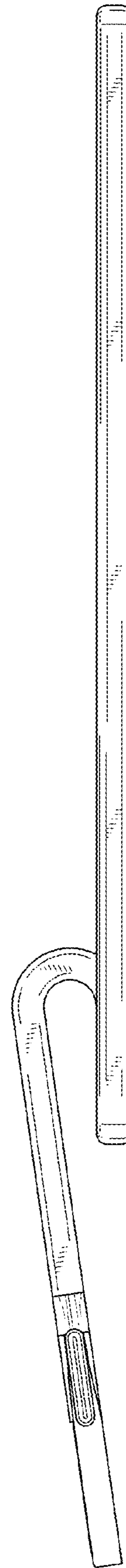


FIG. 9