

US00D685731S

(12) **United States Design Patent**
Brown et al.

(10) **Patent No.:** **US D685,731 S**
(45) **Date of Patent:** **** Jul. 9, 2013**

(54) **BATTERY PACK**

(71) Applicant: **Harris Corporation**, Melbourne, FL
(US)

(72) Inventors: **Rollin Brown**, Fairport, NY (US);
Michael Barrese, Victor, NY (US)

(73) Assignee: **Harris Corporation**, Melbourne, FL
(US)

(**) Term: **14 Years**

(21) Appl. No.: **29/439,174**

(22) Filed: **Dec. 7, 2012**

(51) **LOC (9) Cl.** **13-02**

(52) **U.S. Cl.**
USPC **D13/103**

(58) **Field of Classification Search**
USPC D13/102-108, 110, 118-121, 184,
D13/199; 429/96-100, 163, 176
See application file for complete search history.

(56) **References Cited**

U.S. PATENT DOCUMENTS

D303,524 S *	9/1989	Siegner et al.	D14/438
6,319,053 B1 *	11/2001	Andrews et al.	439/500
D476,618 S *	7/2003	Wong et al.	D13/103
D485,530 S *	1/2004	Ogasawara	D13/103
D490,370 S *	5/2004	Picardo	D13/103

D550,613 S *	9/2007	Hamasaki	D13/103
D624,011 S *	9/2010	Bertagnole et al.	D13/103
D647,050 S *	10/2011	Tu	D13/103
D650,325 S *	12/2011	Kim et al.	D13/103
D654,853 S *	2/2012	Bacon et al.	D13/103
D660,787 S *	5/2012	Lambert et al.	D13/103

* cited by examiner

Primary Examiner — Rosemary K Tarcza

(74) *Attorney, Agent, or Firm* — Fox Rothschild, LLP;
Robert J. Sacco

(57) **CLAIM**

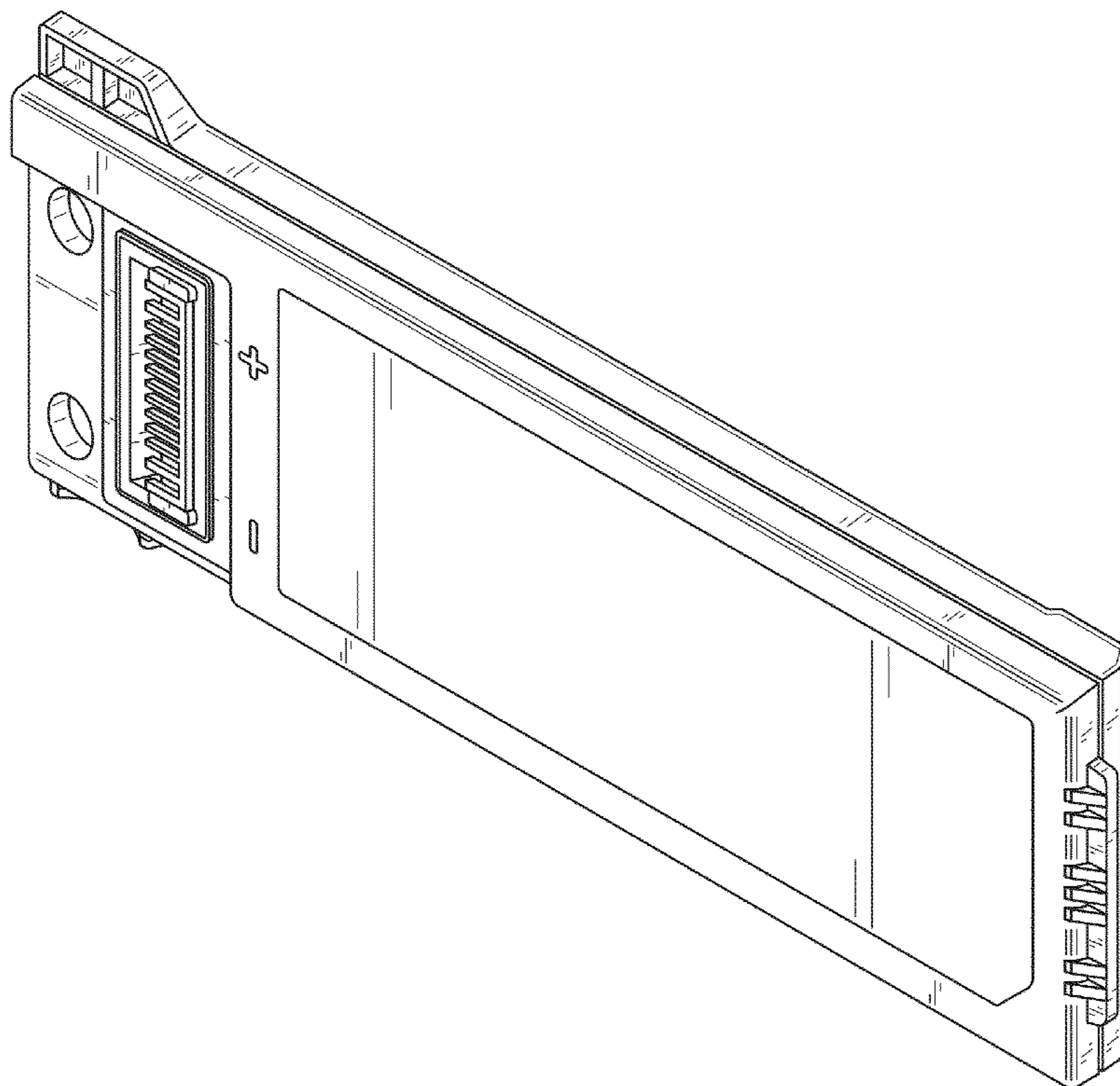
The ornamental design for a battery pack, as shown and described.

DESCRIPTION

FIG. 1 is a front view of a battery pack;
FIG. 2 is a rear view of the battery pack shown in FIG. 1;
FIG. 3 is a top side view of the battery pack shown in FIGS. 1 and 2;
FIG. 4 is a bottom side view of the battery pack shown in FIGS. 1-3;
FIG. 5 is a right side view of the battery pack shown in FIGS. 1-4;
FIG. 6 is a left side view of the battery pack shown in FIGS. 1-5; and,
FIG. 7 is a front perspective view of the battery pack shown in FIGS. 1-6.

Any broken line illustration of environmental structure in the drawings is not part of the design sought to be patented.

1 Claim, 5 Drawing Sheets



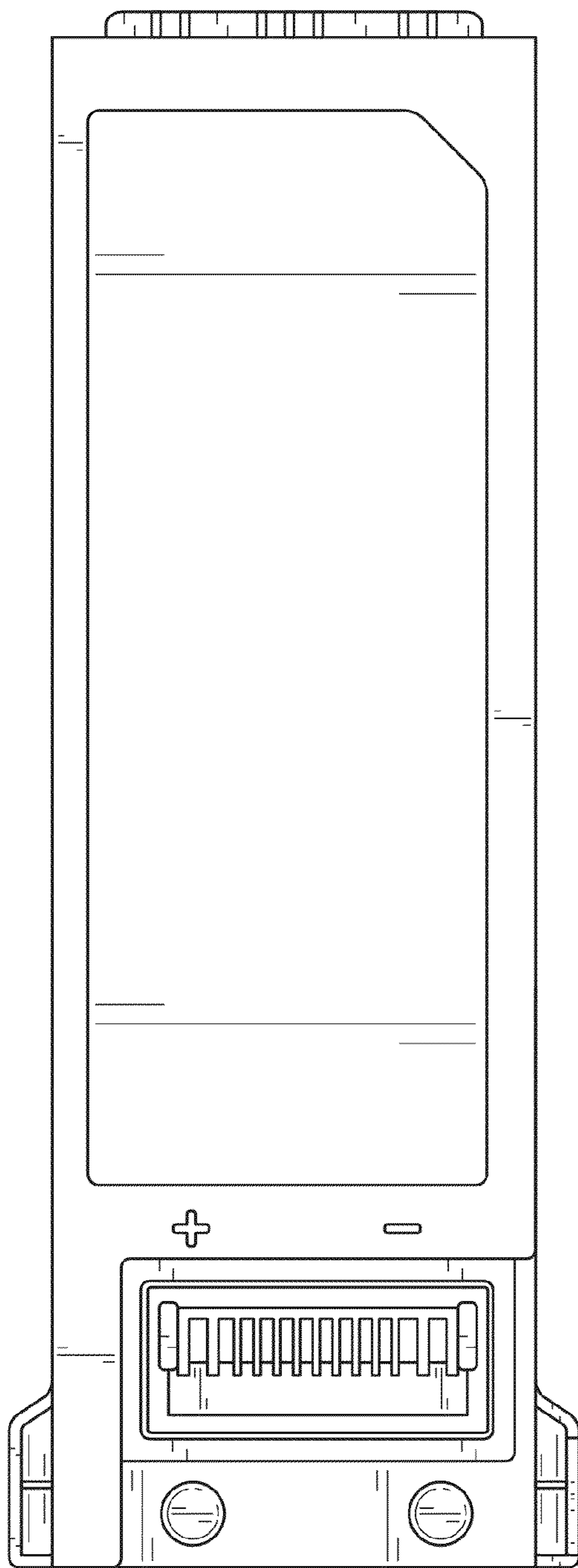


FIG. 1

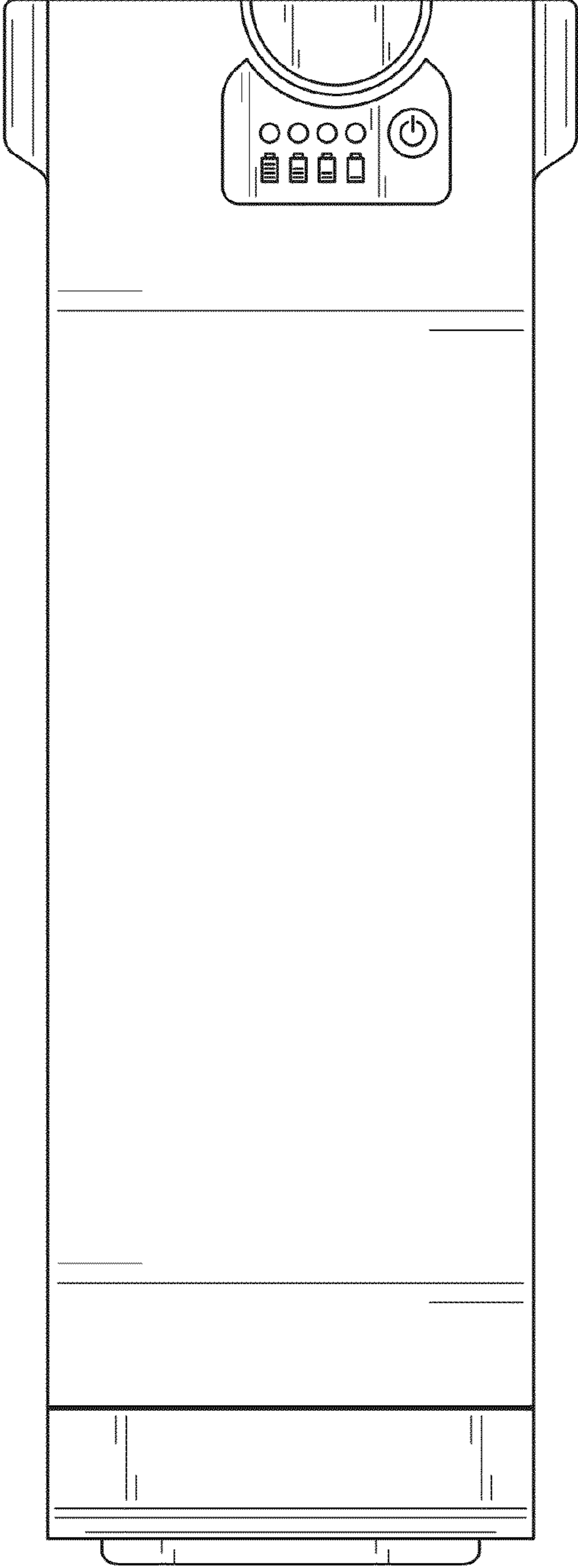


FIG. 2

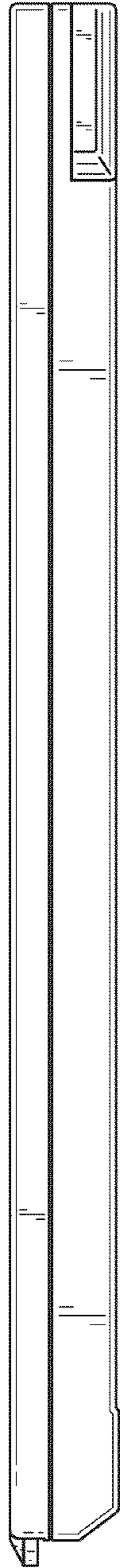


FIG. 3

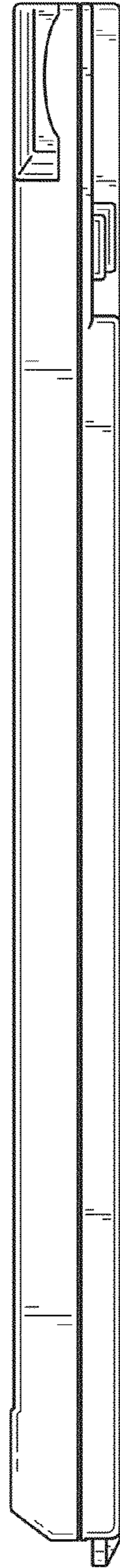


FIG. 4

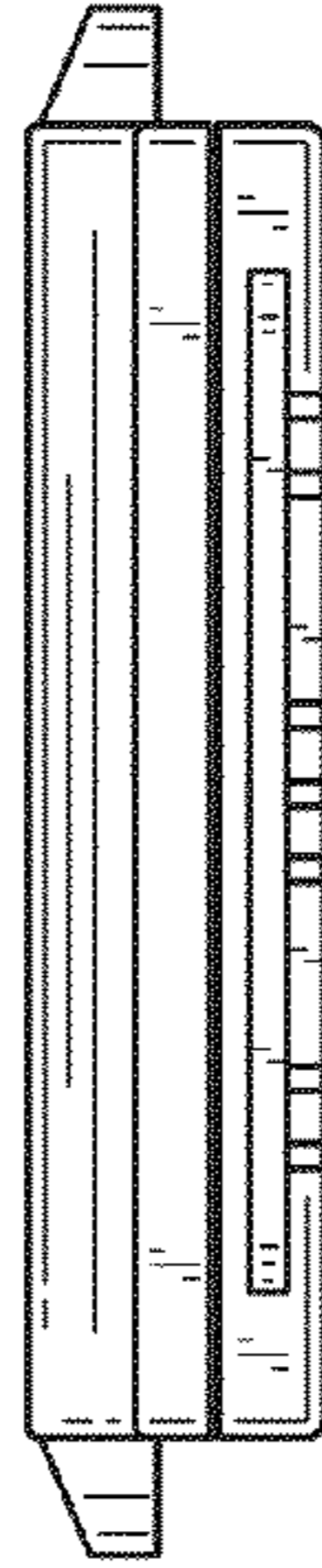


FIG. 6

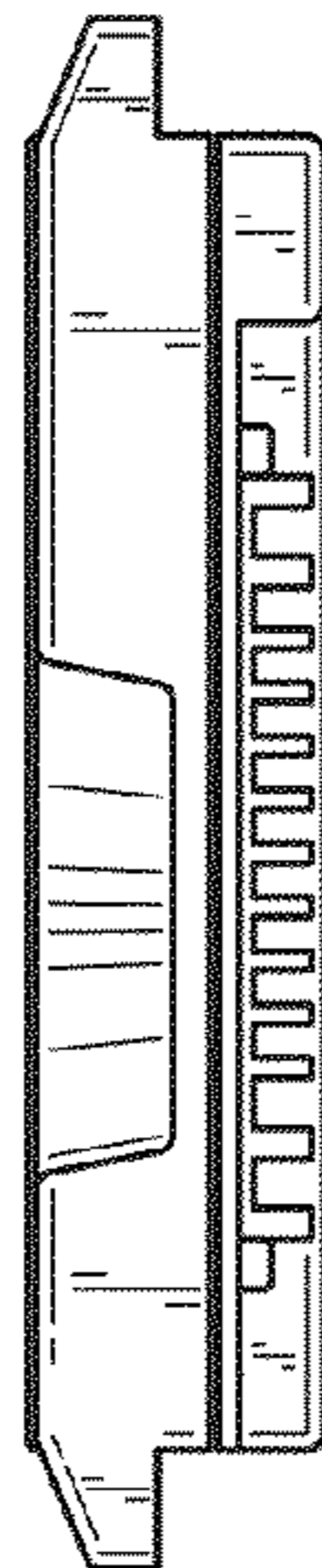


FIG. 5

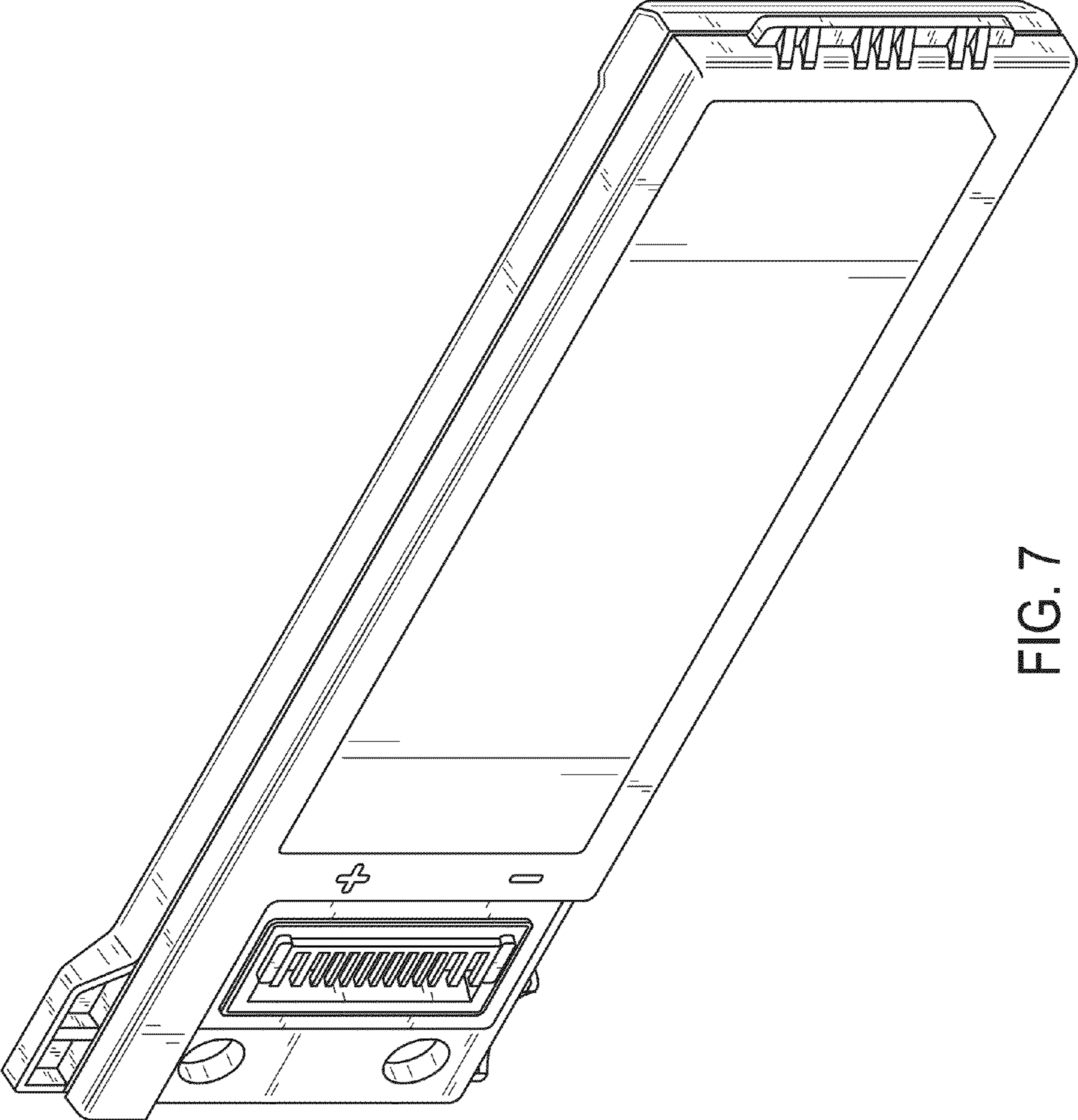


FIG. 7