



US00D685729S

(12) **United States Design Patent**
Lyman

(10) **Patent No.:** **US D685,729 S**
(45) **Date of Patent:** **** Jul. 9, 2013**

(54) **BATTERY**

(75) Inventor: **Roy P. Lyman**, Coventry, RI (US)

(73) Assignee: **ZIH Corp.**, Lincolnshire, IL (US)

(**) Term: **14 Years**

(21) Appl. No.: **29/429,727**

(22) Filed: **Aug. 15, 2012**

(51) **LOC (9) Cl.** **13-02**

(52) **U.S. Cl.**
USPC **D13/103**

(58) **Field of Classification Search**
USPC D13/102–108, 110, 118–121, 184,
D13/199; 429/96–100, 163, 176
See application file for complete search history.

(56) **References Cited**

U.S. PATENT DOCUMENTS

D400,161 S	*	10/1998	Nagele et al.	D13/103
D421,594 S	*	3/2000	Knop et al.	D13/103
D437,286 S	*	2/2001	Brady	D13/103
D517,987 S	*	3/2006	Castagnola et al.	D13/119
D517,988 S	*	3/2006	Ihde et al.	D13/119
D534,491 S		1/2007	Panebianco et al.		
D538,225 S		3/2007	Lyman et al.		
D538,226 S		3/2007	Lyman et al.		
D554,580 S	*	11/2007	Ogasawara et al.	D13/103

D557,203 S	*	12/2007	Grunow et al.	D13/103
D557,204 S		12/2007	Panebianco et al.		
D584,683 S	*	1/2009	Preliasco et al.	D13/103
D631,835 S	*	2/2011	Neidhart	D13/103
D633,036 S	*	2/2011	Murray	D13/103
D637,552 S	*	5/2011	Inman et al.	D13/103
D642,517 S	*	8/2011	Inman et al.	D13/103

* cited by examiner

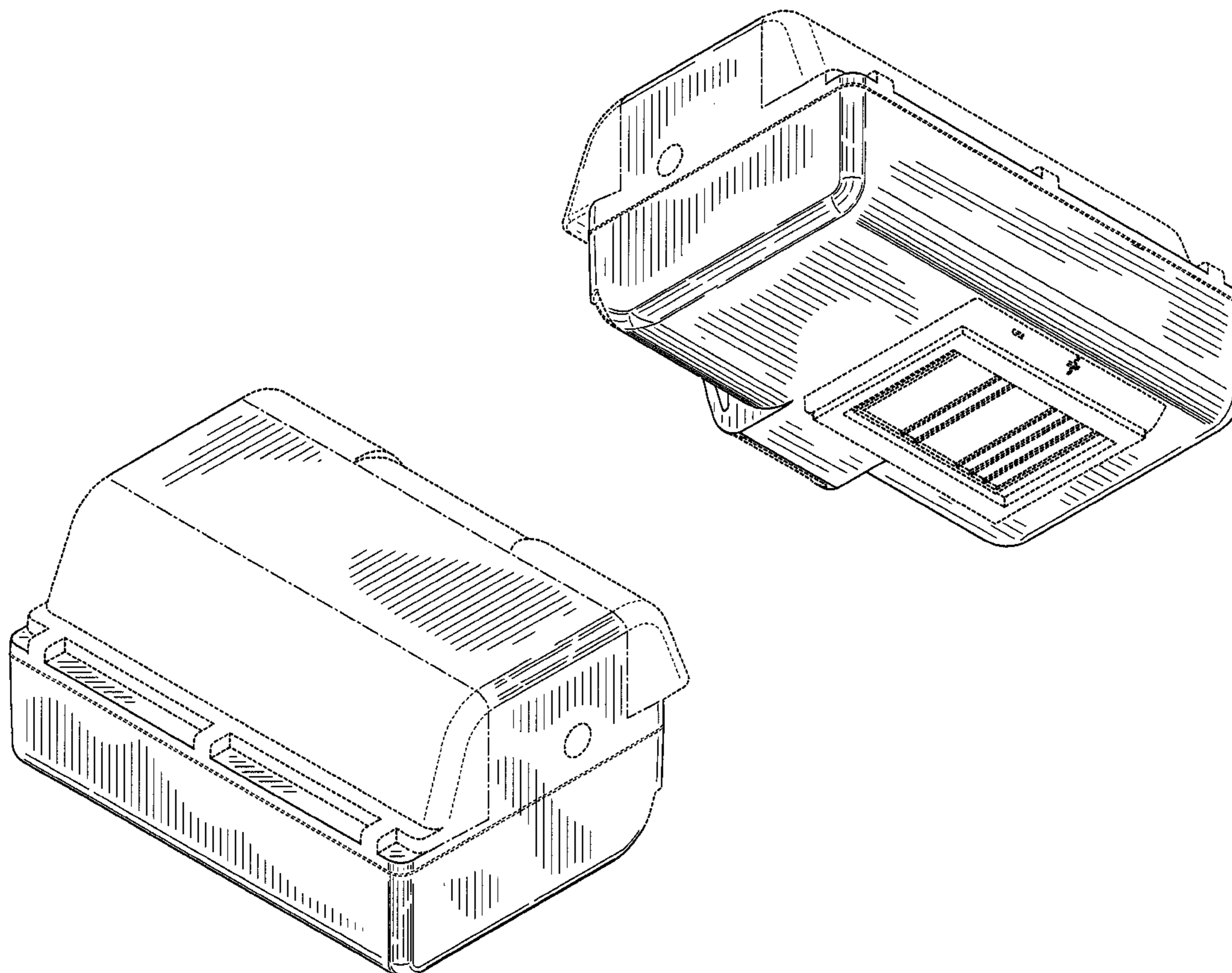
Primary Examiner — Rosemary K Tarcza
(74) *Attorney, Agent, or Firm* — Alston & Bird LLP

(57) **CLAIM**
The ornamental design for a battery, as shown and described.

DESCRIPTION

FIG. 1 is a perspective view of a battery according to my new design;
FIG. 2 is another perspective view thereof;
FIG. 3 is a front elevation view thereof;
FIG. 4 is a back elevation view thereof;
FIG. 5 is a left side elevation view thereof;
FIG. 6 is a right side elevation view thereof;
FIG. 7 is a top plan view thereof; and,
FIG. 8 is a bottom plan view thereof.
The dash-dot broken lines adjacent the shaded areas in FIGS. 1, 2, 5, 6 and 7 represent the bounds of the claimed design while all other broken lines are directed to environment and are for illustrative purposes only. The broken lines form no part of the claimed design.

1 Claim, 6 Drawing Sheets



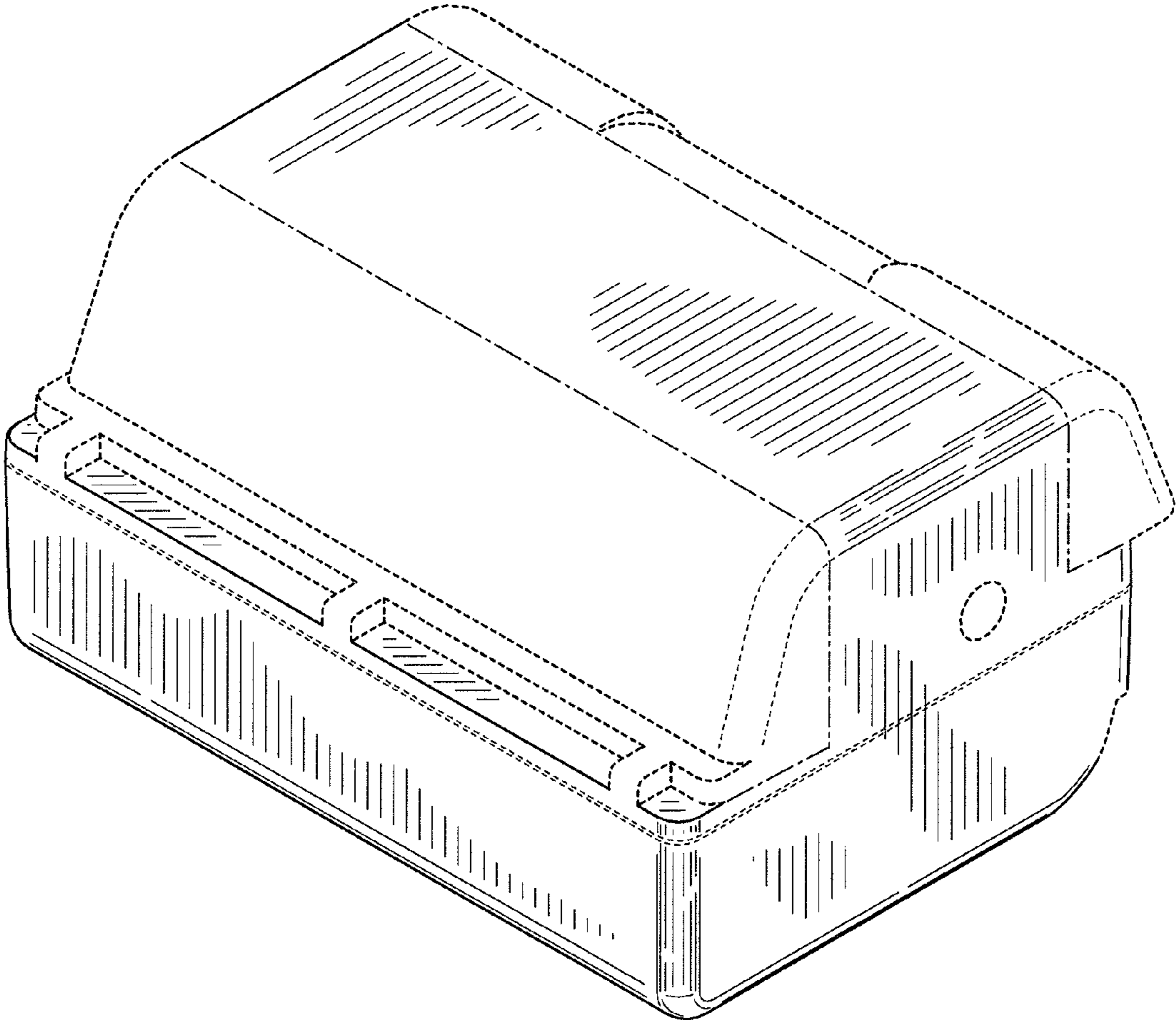


FIG. 1

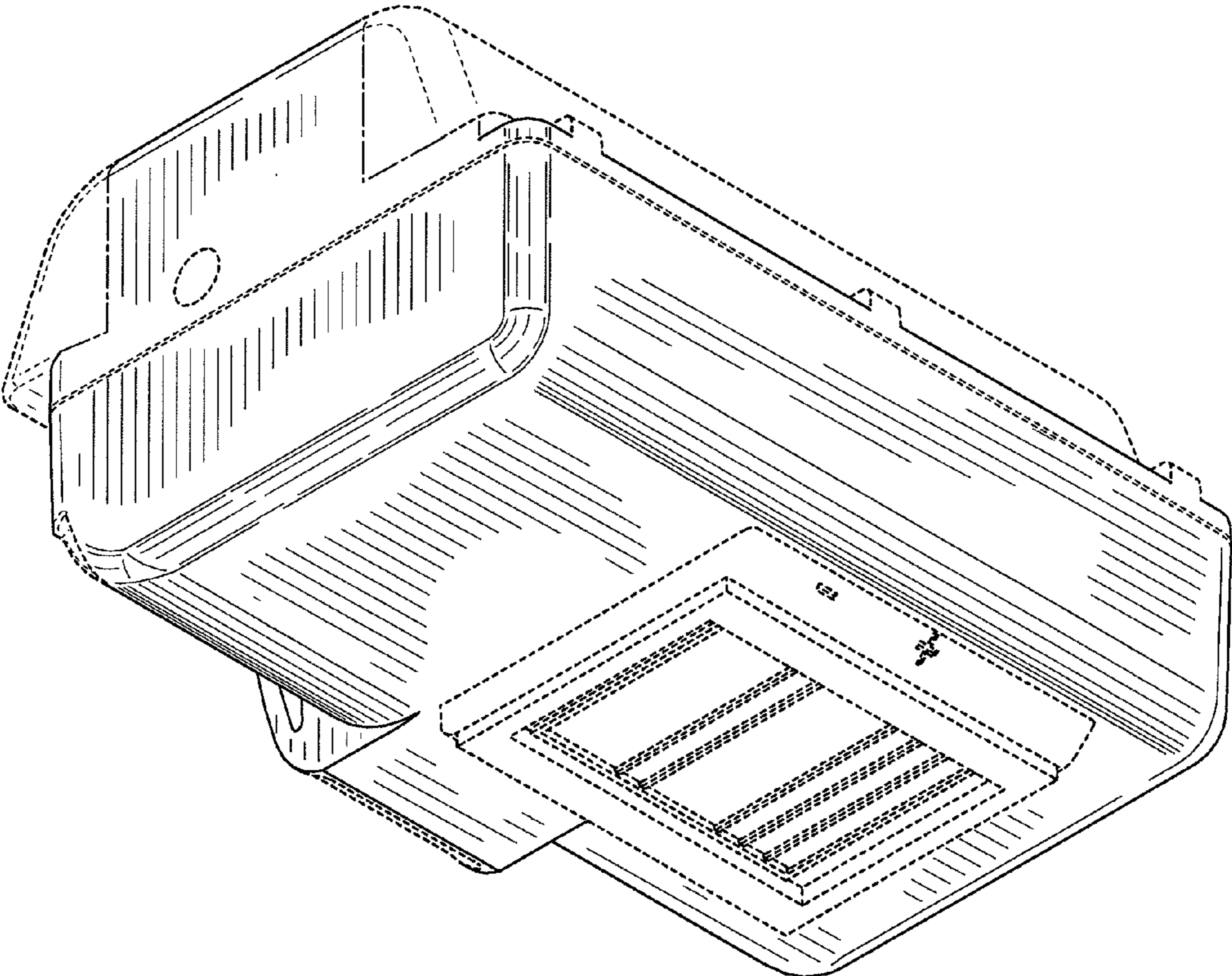


FIG. 2

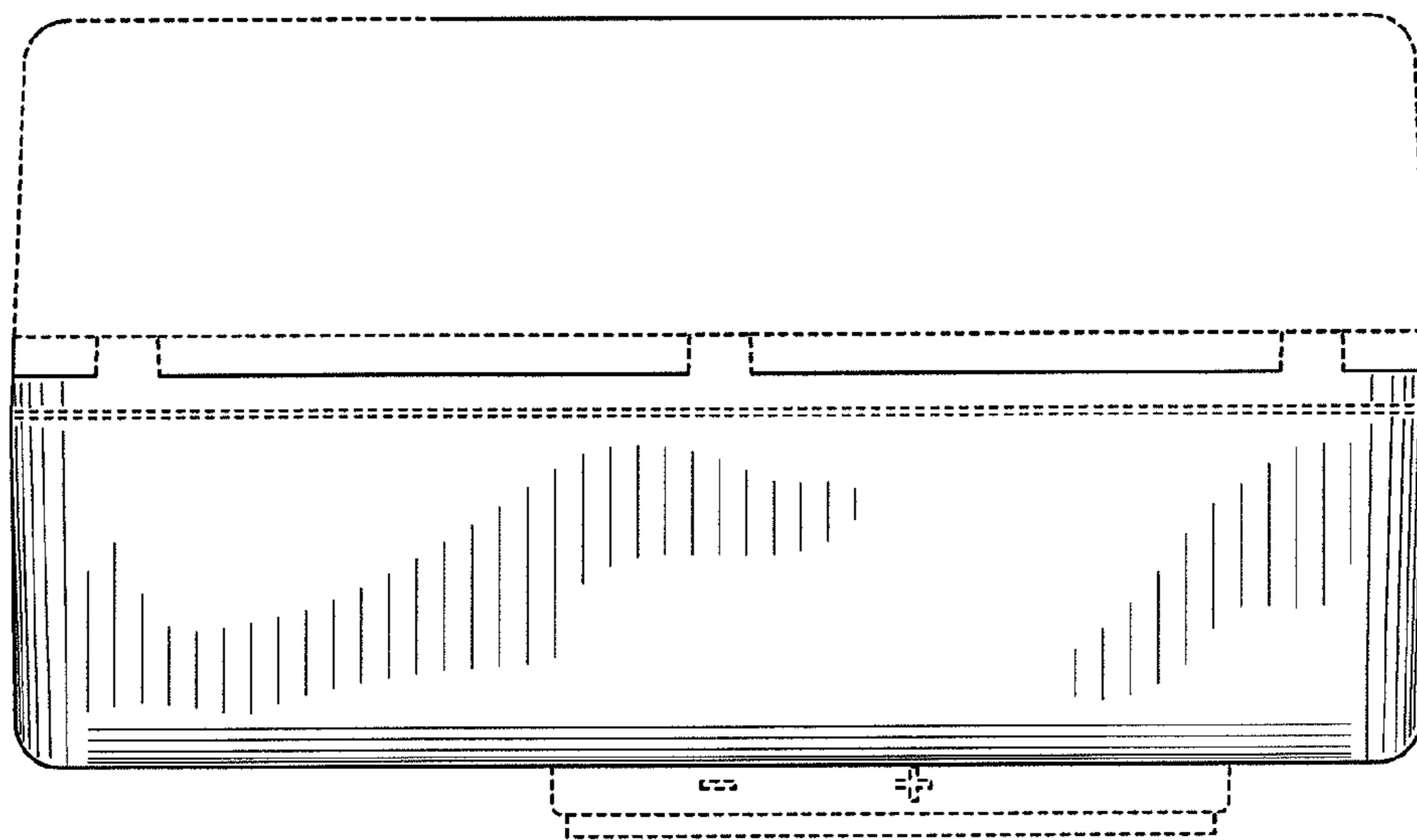


FIG. 3

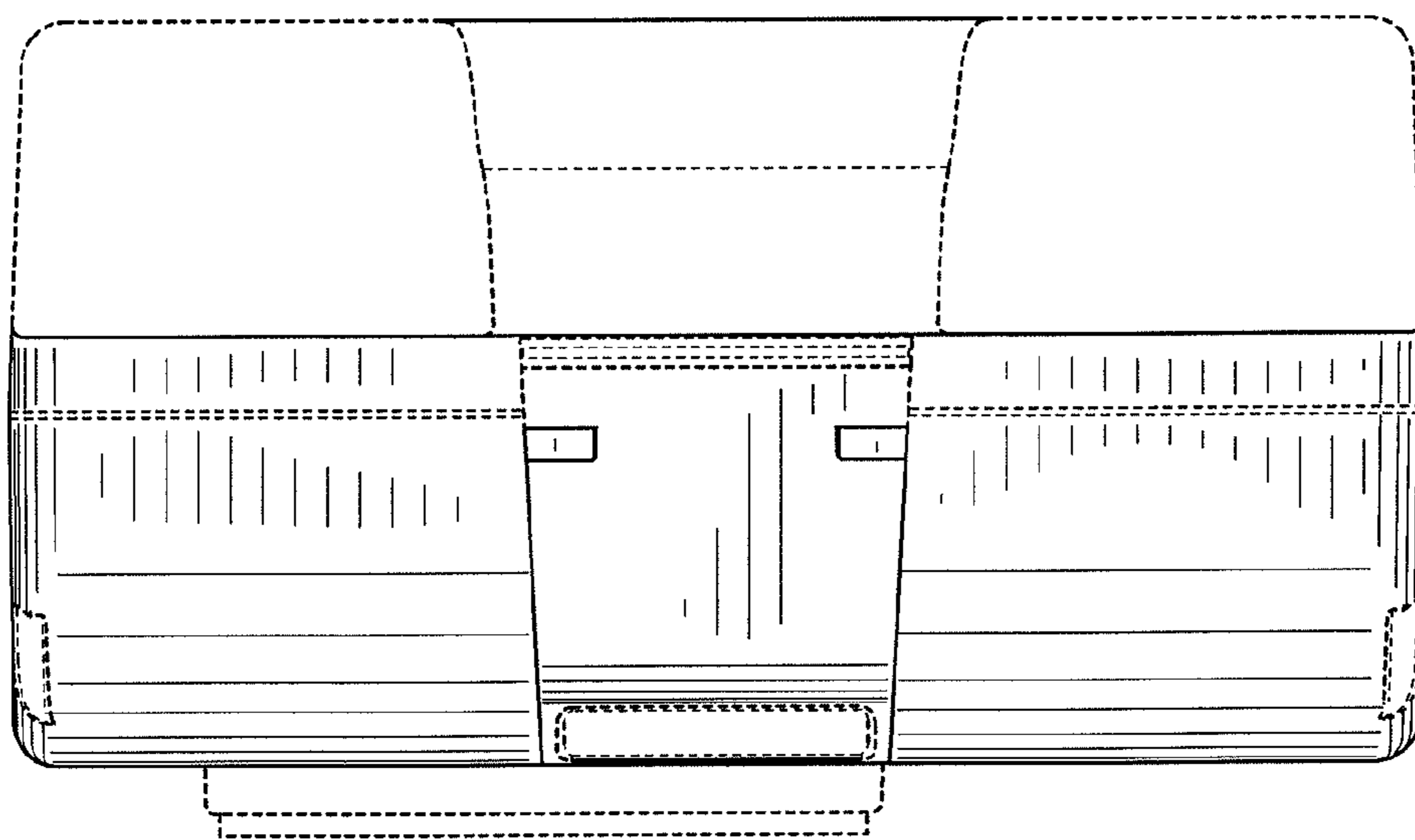


FIG. 4

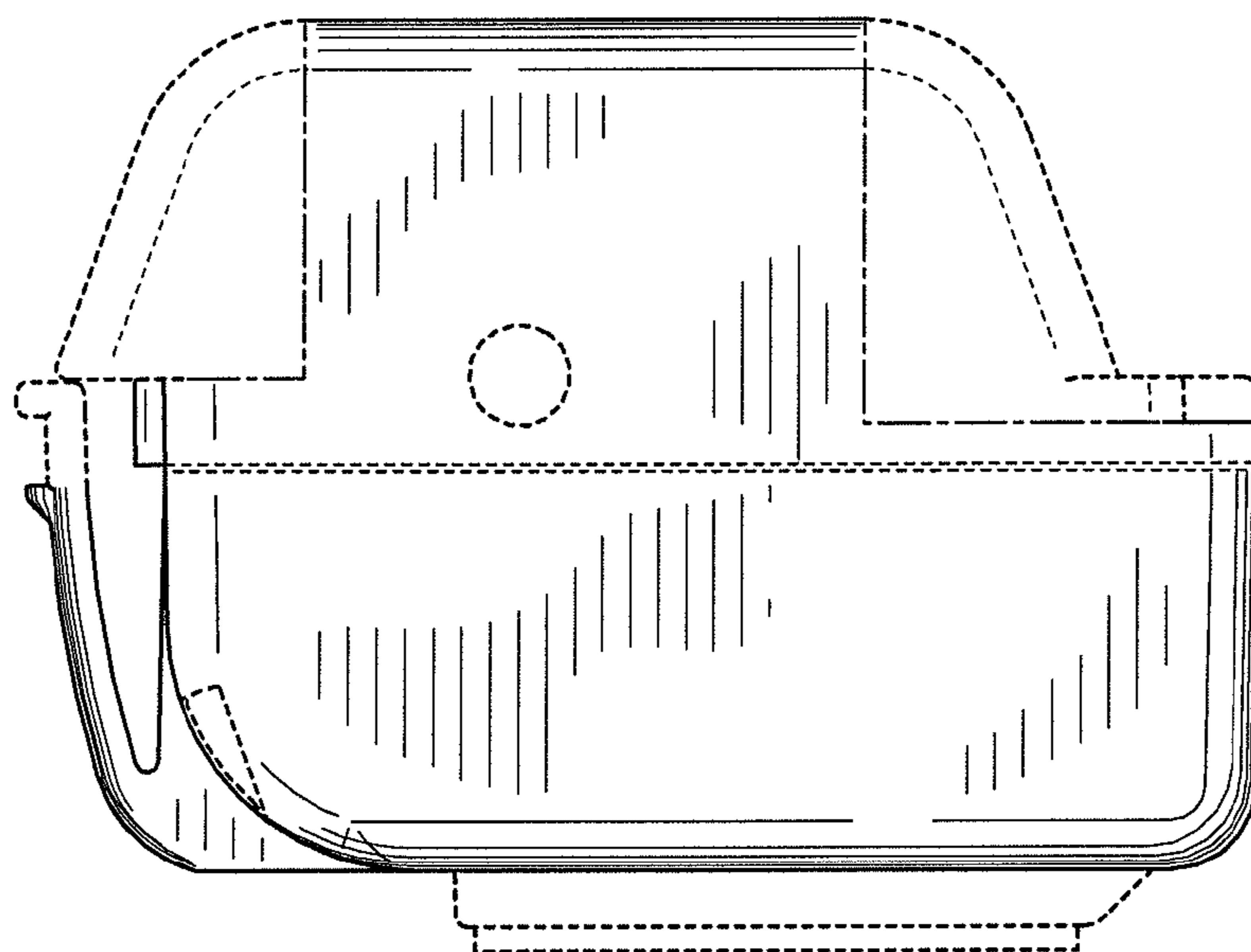


FIG. 5

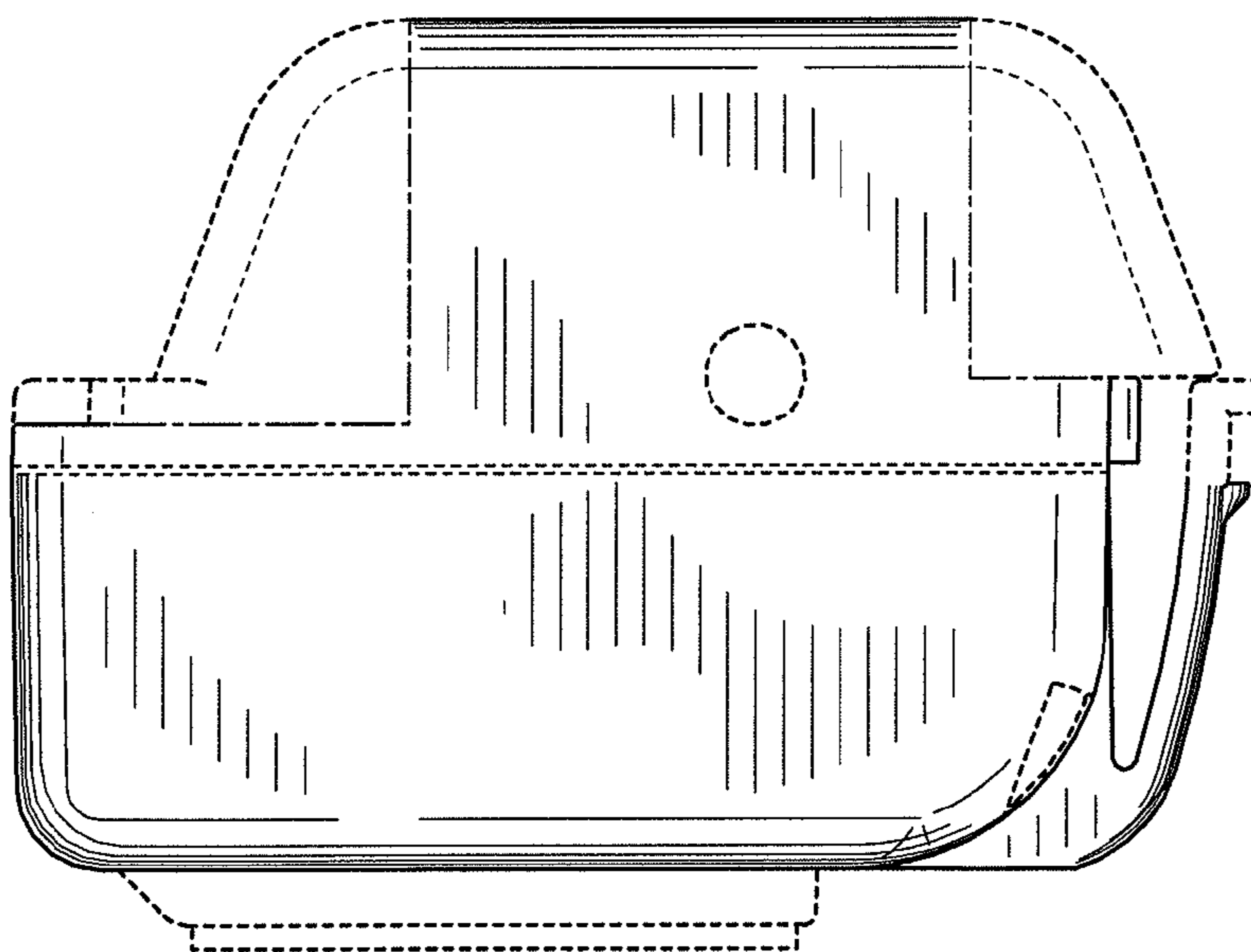


FIG. 6

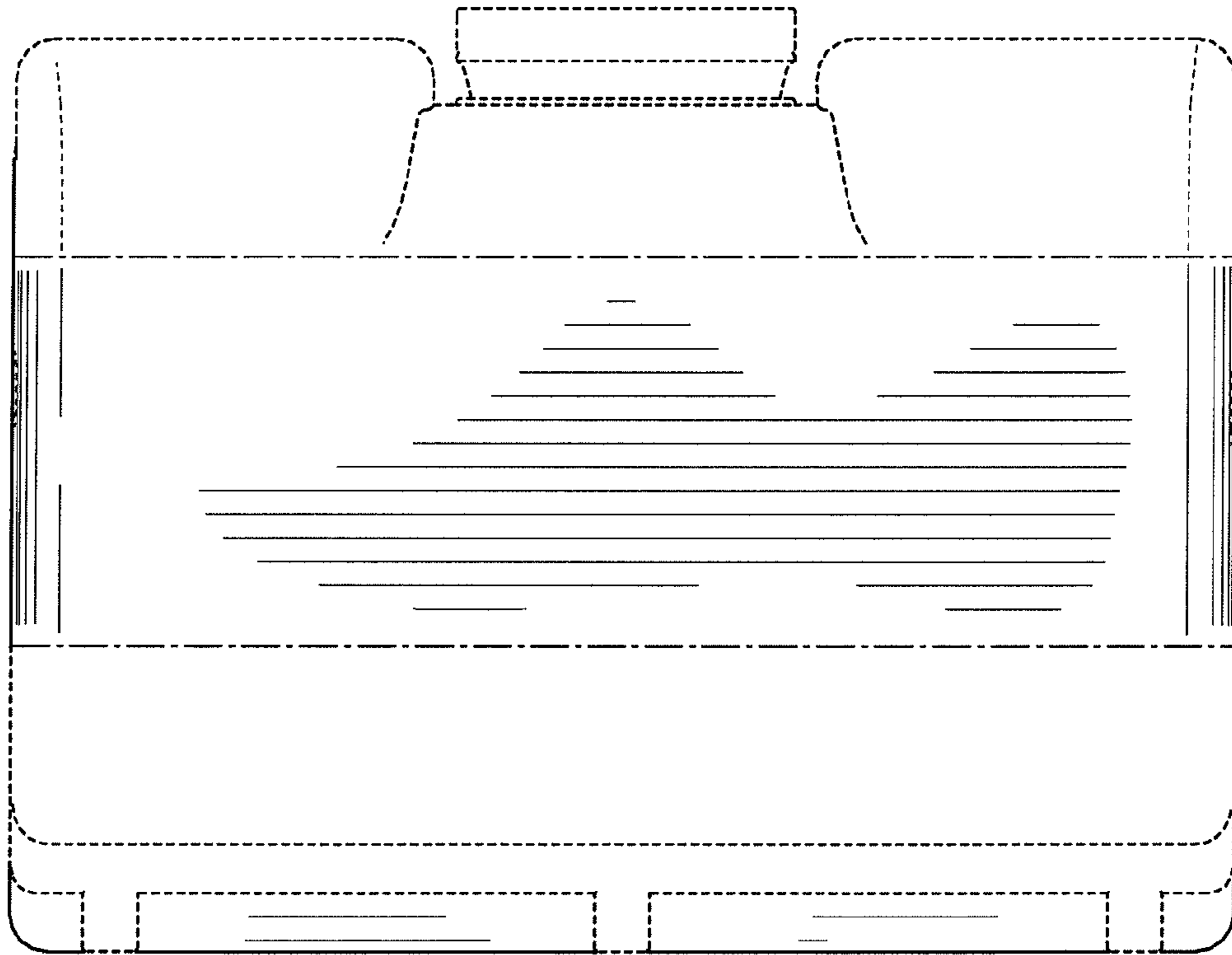


FIG. 7

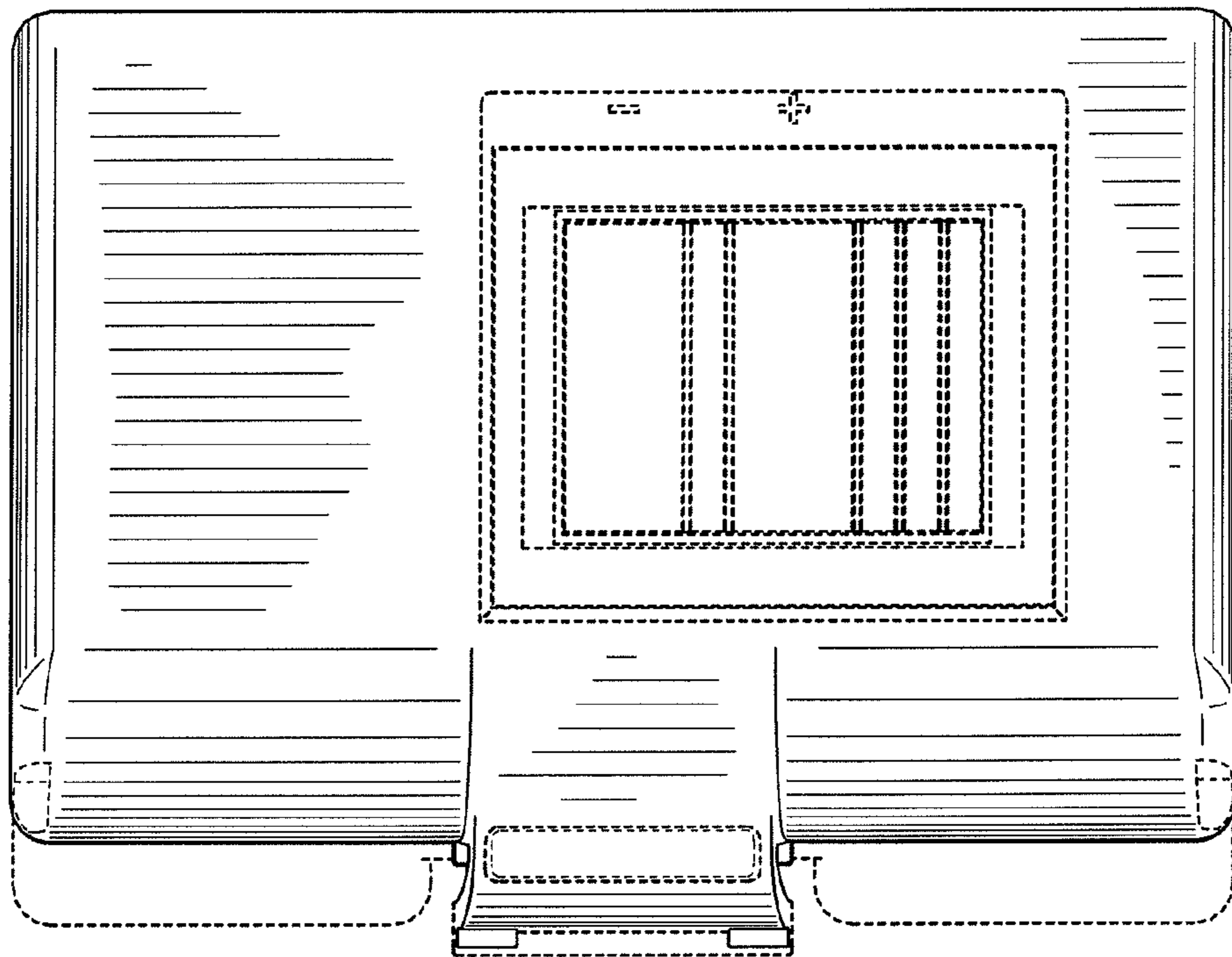


FIG. 8