



US00D685728S

(12) **United States Design Patent**
Hoshi et al.

(10) **Patent No.:** **US D685,728 S**
(45) **Date of Patent:** **** Jul. 9, 2013**

(54) **BATTERY MODULE**

(75) Inventors: **Hiroshi Hoshi**, Hitachi (JP); **Tsunemi Aiba**, Kiryu (JP); **Naoki Kojima**, Hitachinaka (JP); **Chikara Kikkawa**, Hitachi (JP); **Toshiyuki Yoshida**, Mito (JP)

(73) Assignee: **Hitachi Vehicle Energy, Ltd**, Ibaraki (JP)

(**) Term: **14 Years**

(21) Appl. No.: **29/397,272**

(22) Filed: **Jul. 14, 2011**

(30) **Foreign Application Priority Data**

Mar. 16, 2011 (JP) 2011-005996

(51) **LOC (9) Cl.** **13-02**

(52) **U.S. Cl.**
USPC **D13/103**

(58) **Field of Classification Search**
USPC D13/102-106, 110, 118-121, 184,
D13/199; 429/96-100, 163, 176
See application file for complete search history.

(56) **References Cited**

U.S. PATENT DOCUMENTS

D485,530 S * 1/2004 Ogasawara D13/103
D490,370 S * 5/2004 Picardo D13/103

D629,746 S * 12/2010 Workman et al. D13/103
D635,508 S * 4/2011 Seyama et al. D13/104
D637,157 S * 5/2011 Andre et al. D13/119
D655,673 S * 3/2012 Masui D13/103
D657,739 S * 4/2012 Miyawaki et al. D13/104
D658,579 S * 5/2012 Miyawaki et al. D13/104
D658,583 S * 5/2012 Andre et al. D13/119
D659,088 S * 5/2012 Steinberg D13/106
D669,849 S * 10/2012 Morisawa D13/103
D672,713 S * 12/2012 Masui D13/103

FOREIGN PATENT DOCUMENTS

JP D 1077186 S 7/2000

* cited by examiner

Primary Examiner — Rosemary K Tarcza

(74) *Attorney, Agent, or Firm* — Antonelli, Terry, Stout & Kraus, LLP.

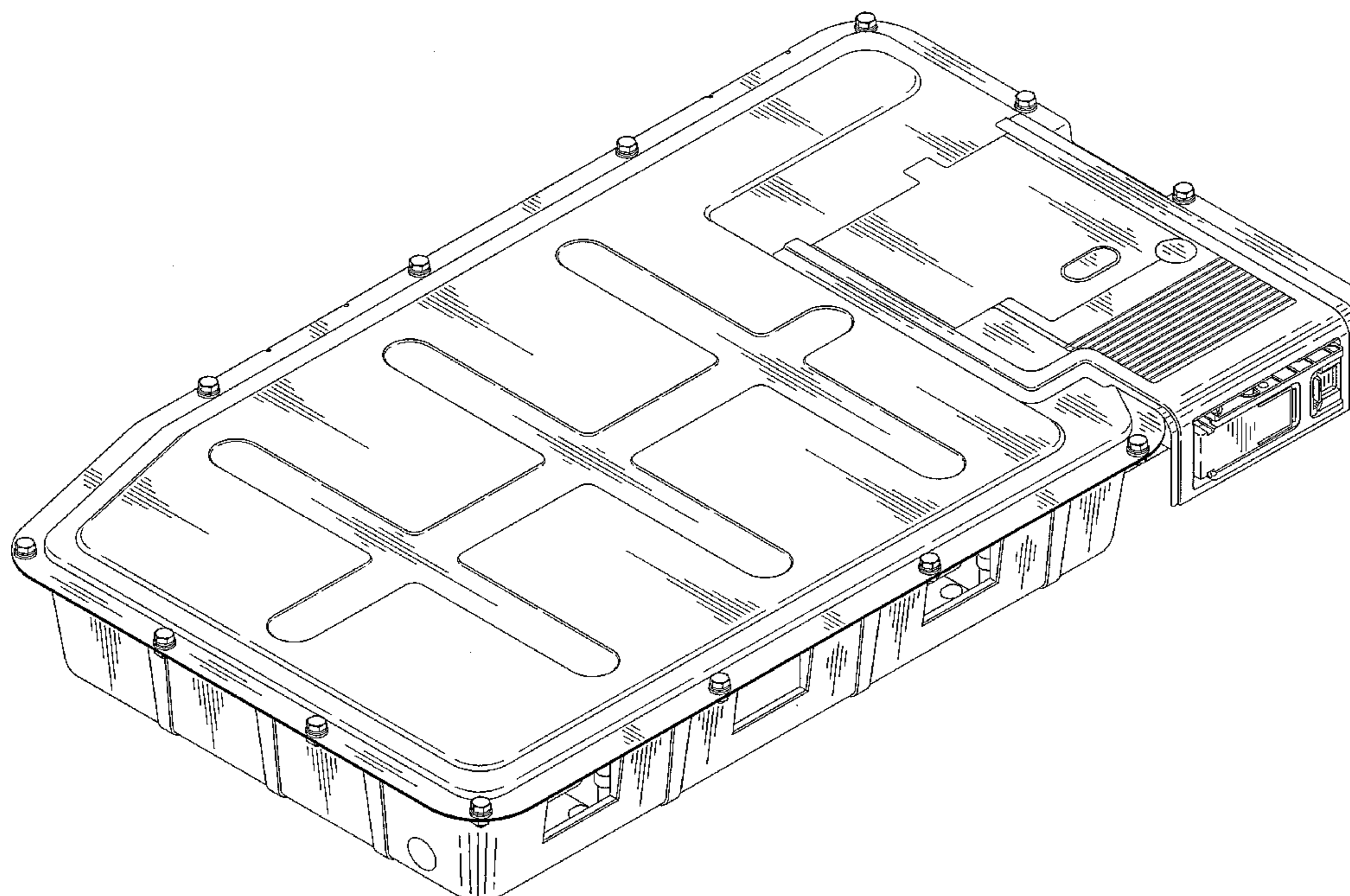
(57) **CLAIM**

We claim the ornamental design for a battery module, as shown.

DESCRIPTION

FIG. 1 is a front, top and left side perspective view of a battery module showing our/my new design;
FIG. 2 is a front elevational view thereof;
FIG. 3 is a rear elevational view thereof;
FIG. 4 is a left side elevational view thereof;
FIG. 5 is a right side elevational view thereof;
FIG. 6 is a top plan view thereof; and,
FIG. 7 is a bottom plan view thereof.

1 Claim, 5 Drawing Sheets



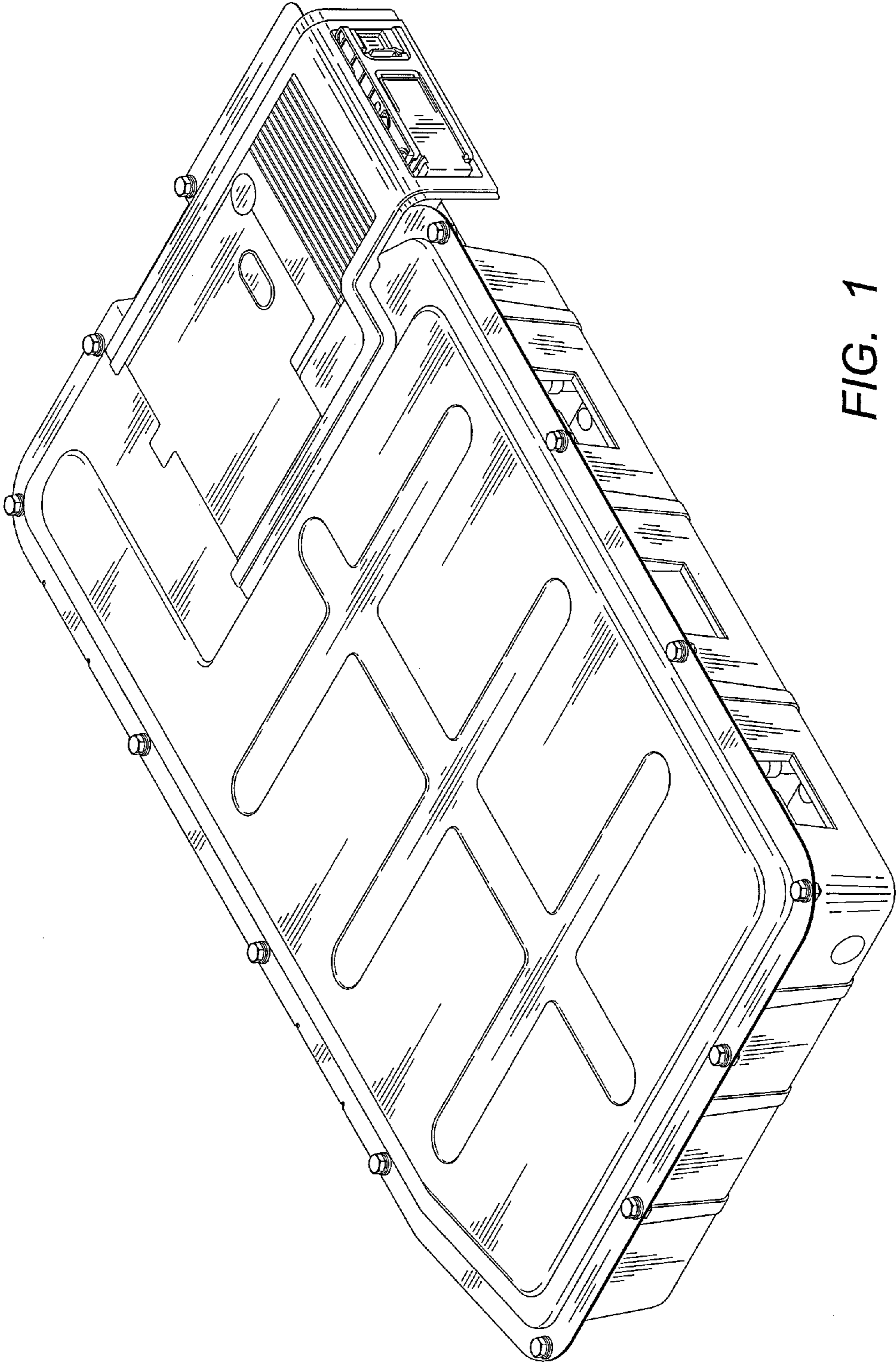


FIG. 1

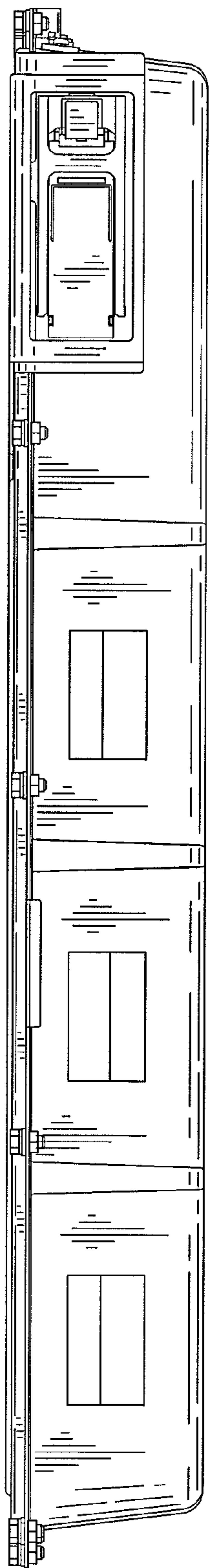


FIG. 2

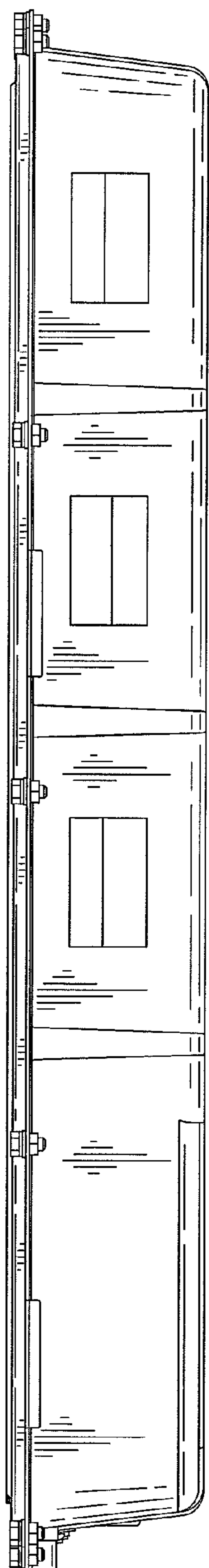


FIG. 3

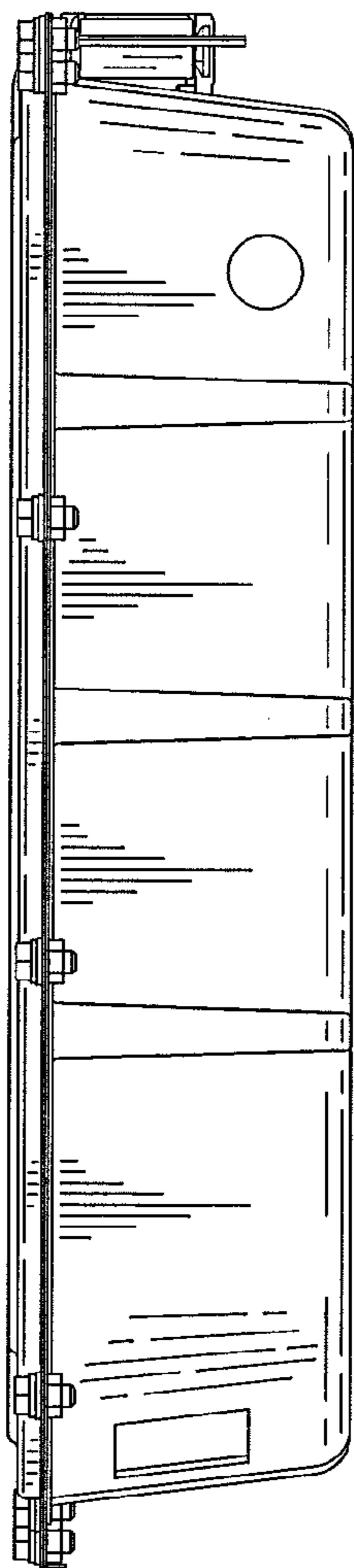


FIG. 4

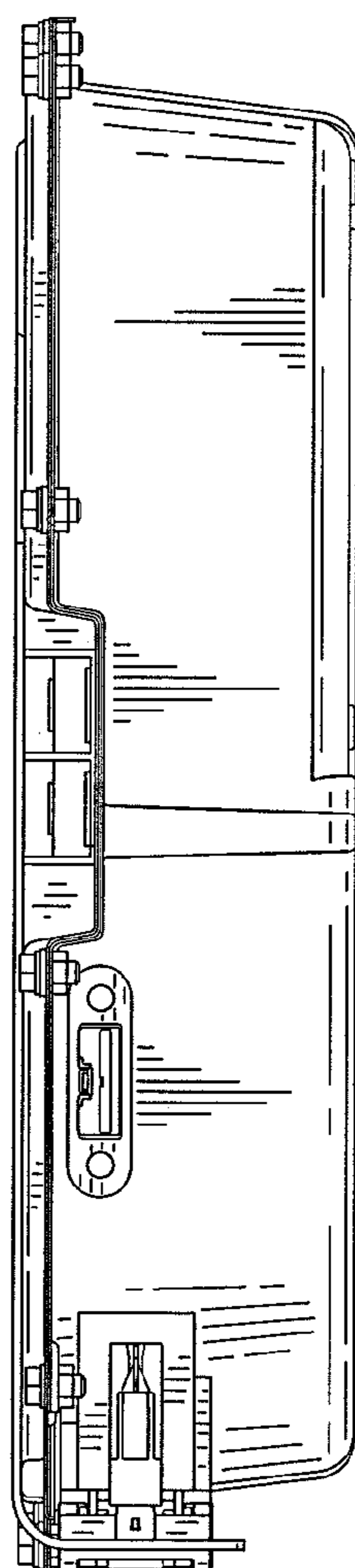


FIG. 5

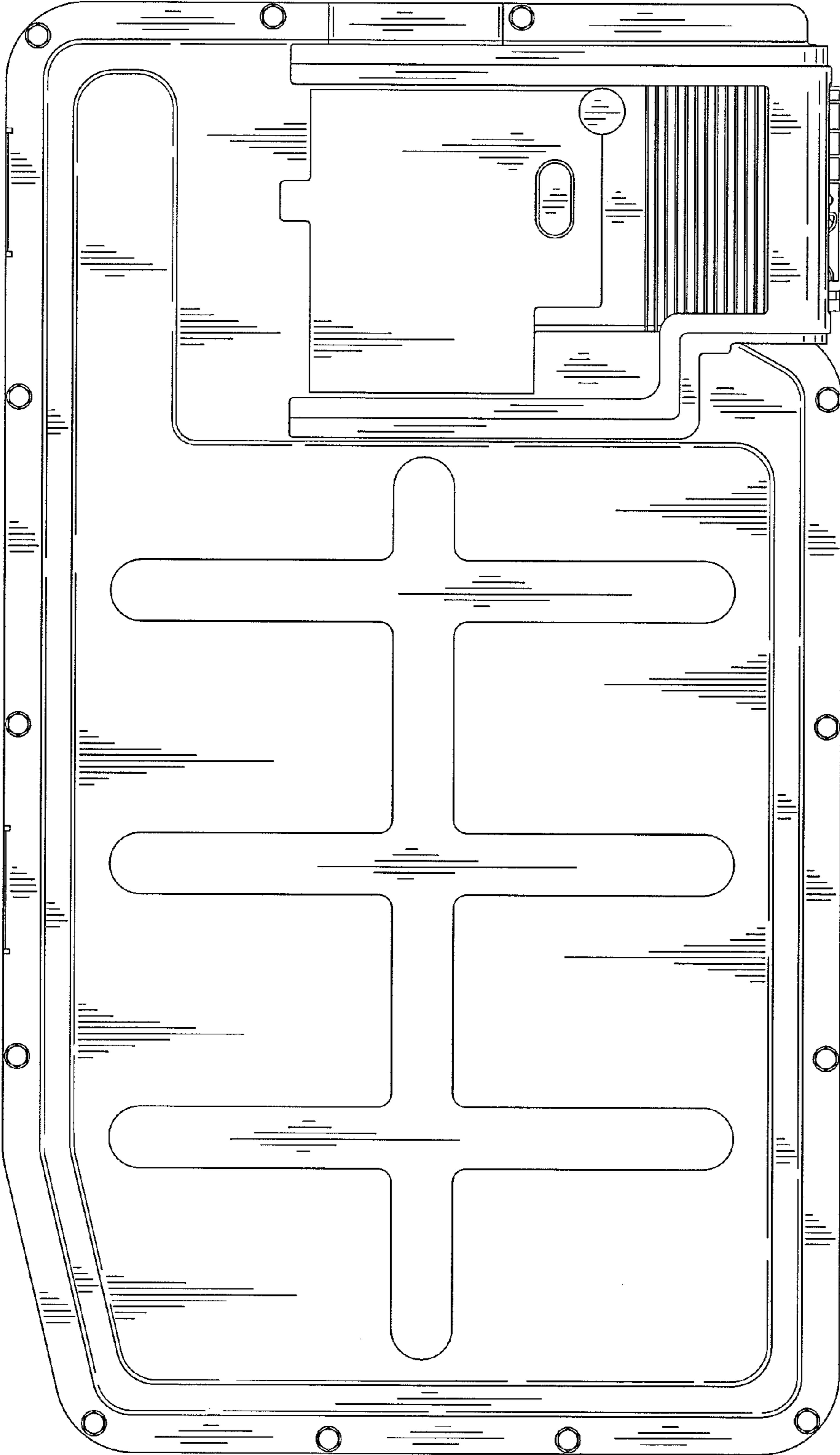


FIG. 6

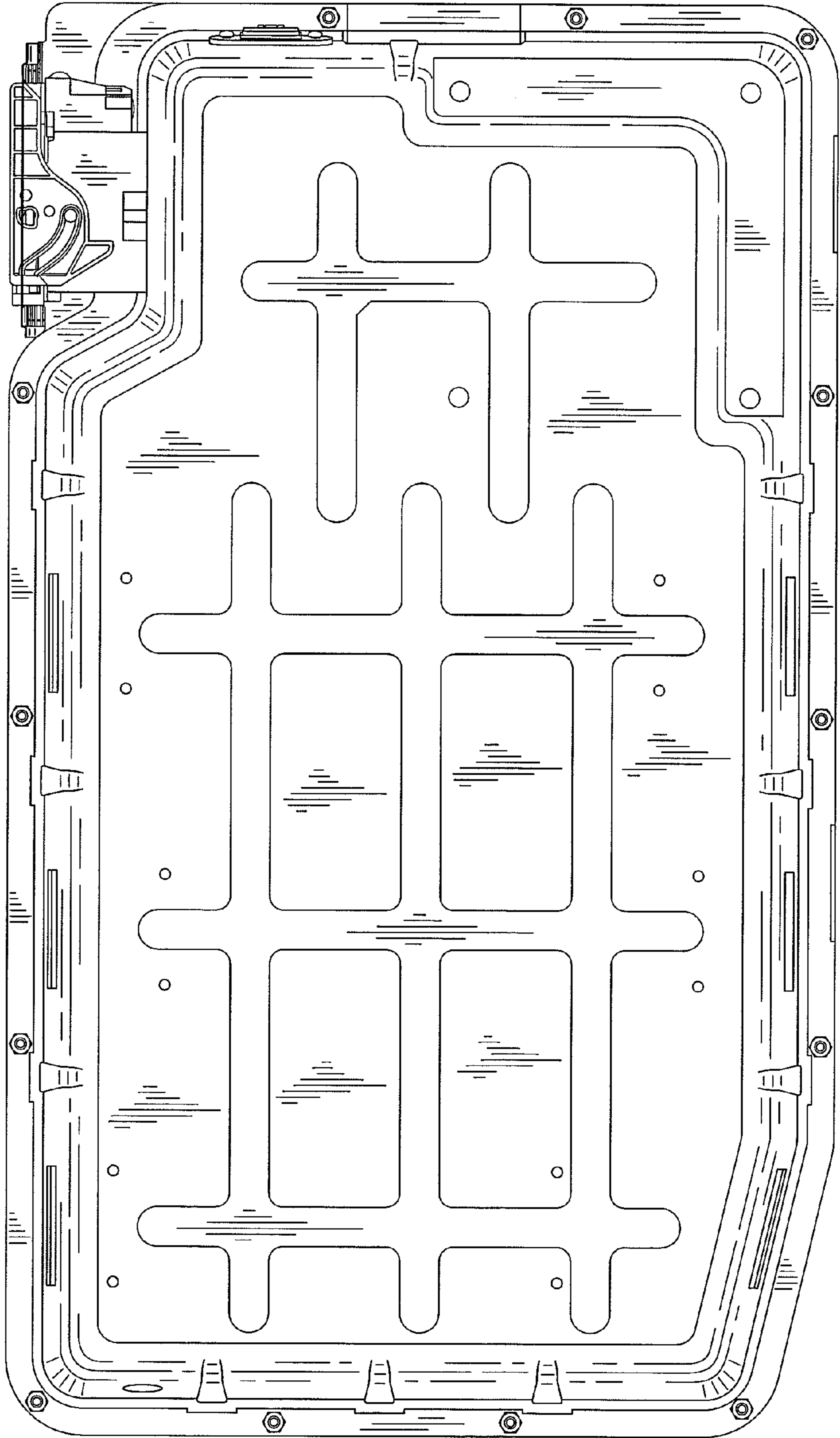


FIG. 7