



US00D685726S

(12) **United States Design Patent**
Kaneshige

(10) **Patent No.:** **US D685,726 S**

(45) **Date of Patent:** **** Jul. 9, 2013**

(54) **BATTERY MODULE**

(75) Inventor: **Masahiro Kaneshige**, Hitachinaka (JP)

(73) Assignee: **Hitachi Vehicle Energy, Ltd**, Ibaraki (JP)

(**) Term: **14 Years**

(21) Appl. No.: **29/385,502**

(22) Filed: **Feb. 15, 2011**

(30) **Foreign Application Priority Data**

Sep. 28, 2010 (JP) 2010-023173

(51) **LOC (9) Cl.** **13-02**

(52) **U.S. Cl.**
USPC **D13/103**

(58) **Field of Classification Search**
USPC D13/102-106, 110, 118-121, 184,
D13/199; 429/96-100, 163, 176
See application file for complete search history.

(56) **References Cited**

U.S. PATENT DOCUMENTS

5,663,007	A *	9/1997	Ikoma et al.	429/53
D390,235	S *	2/1998	Tucker et al.	D14/240
5,877,609	A *	3/1999	Carter	320/103
D414,160	S *	9/1999	Yamane et al.	D13/103
D463,362	S *	9/2002	Alcantar et al.	D13/110
D495,295	S *	8/2004	Alcantar et al.	D13/110
D605,143	S *	12/2009	Von Arx et al.	D13/184
D609,180	S *	2/2010	Suzuki et al.	D13/110
D623,127	S *	9/2010	Seyama et al.	D13/104

D658,579	S *	5/2012	Miyawaki et al.	D13/104
D660,792	S *	5/2012	Inskeep	D13/107
D673,906	S *	1/2013	Sano et al.	D13/103
2005/0170239	A1	8/2005	Uemoto et al.	
2009/0258282	A1	10/2009	Harada	
2009/0269657	A1*	10/2009	Mita et al.	429/151

OTHER PUBLICATIONS

Co-pending U.S. Appl. No. 29/385,497, filed Feb. 15, 2011, Kaneshige.

* cited by examiner

Primary Examiner — Rosemary K Tarcza

(74) *Attorney, Agent, or Firm* — Antonelli, Terry, Stout & Kraus, LLP.

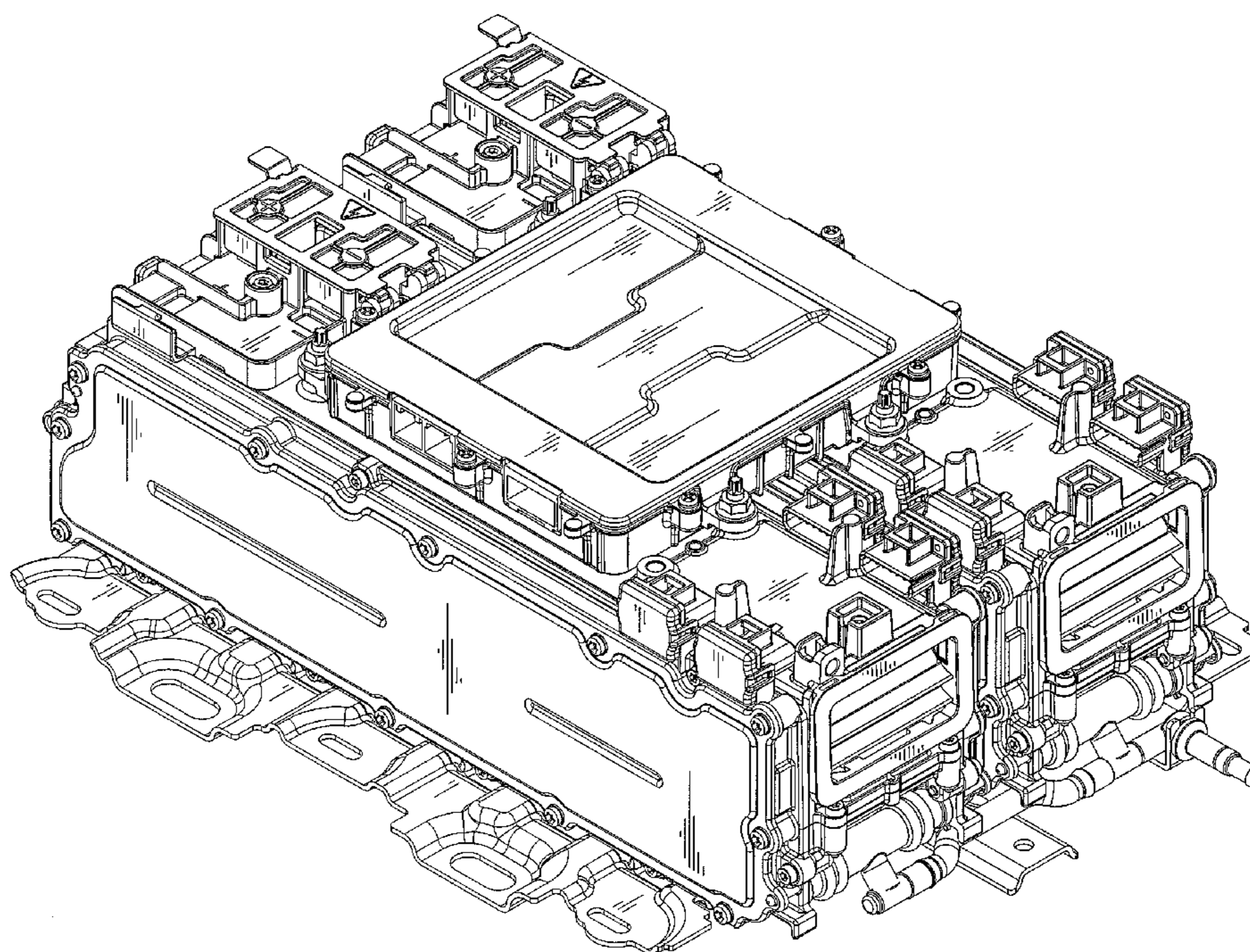
(57) **CLAIM**

I claim the ornamental design for a battery module, as shown.

DESCRIPTION

FIG. 1 is a front, top and right side perspective view of a battery module showing my new design;
FIG. 2 is a rear, top and left side perspective view thereof;
FIG. 3 is a front elevational view thereof;
FIG. 4 is a rear elevational view thereof;
FIG. 5 is a top plan view thereof;
FIG. 6 is a bottom plan view thereof;
FIG. 7 is a left side elevational view thereof;
FIG. 8 is a right side elevational view thereof; and,
FIG. 9 is a rear, bottom and left side perspective view thereof.

1 Claim, 9 Drawing Sheets



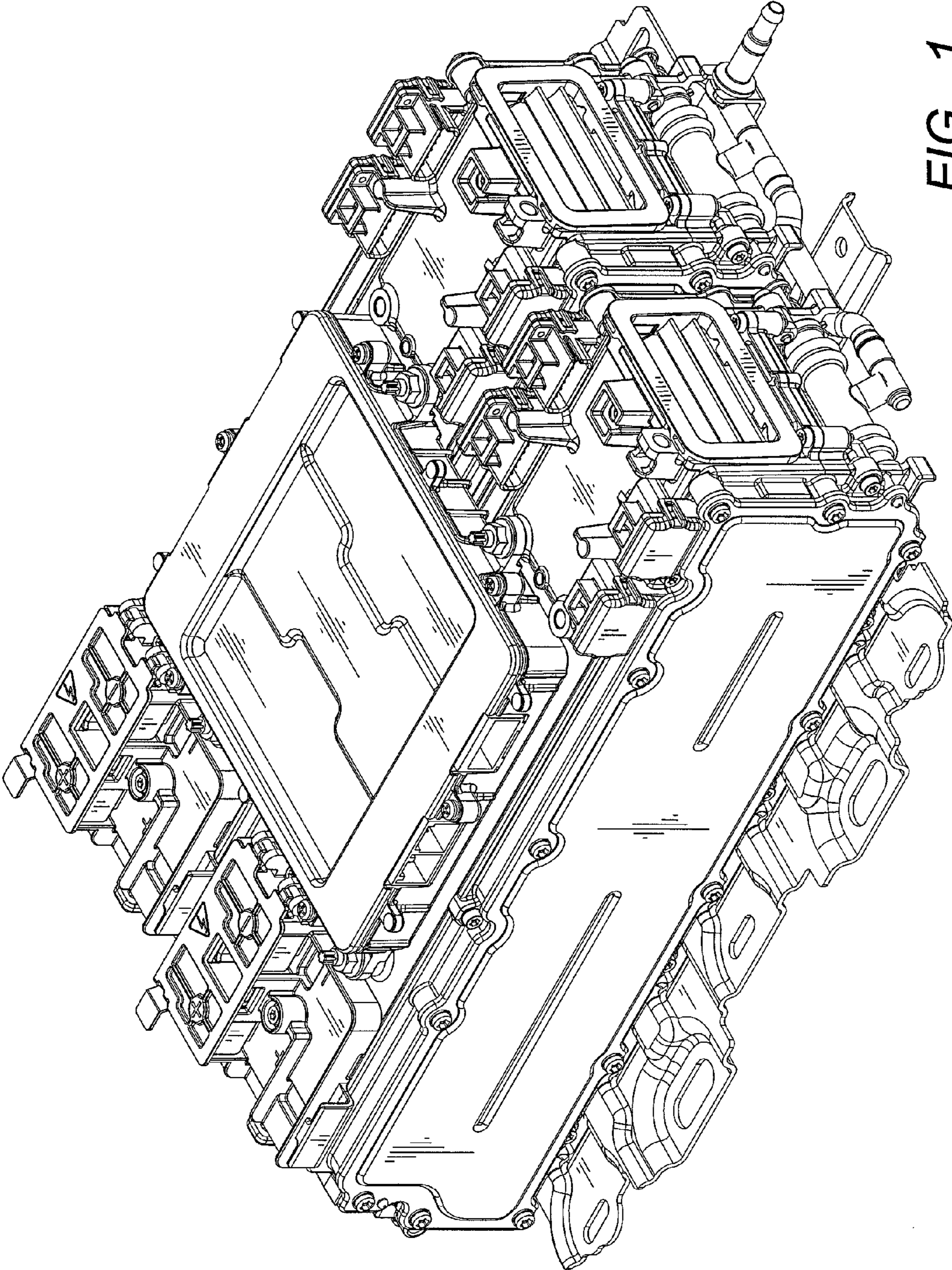


FIG. 1

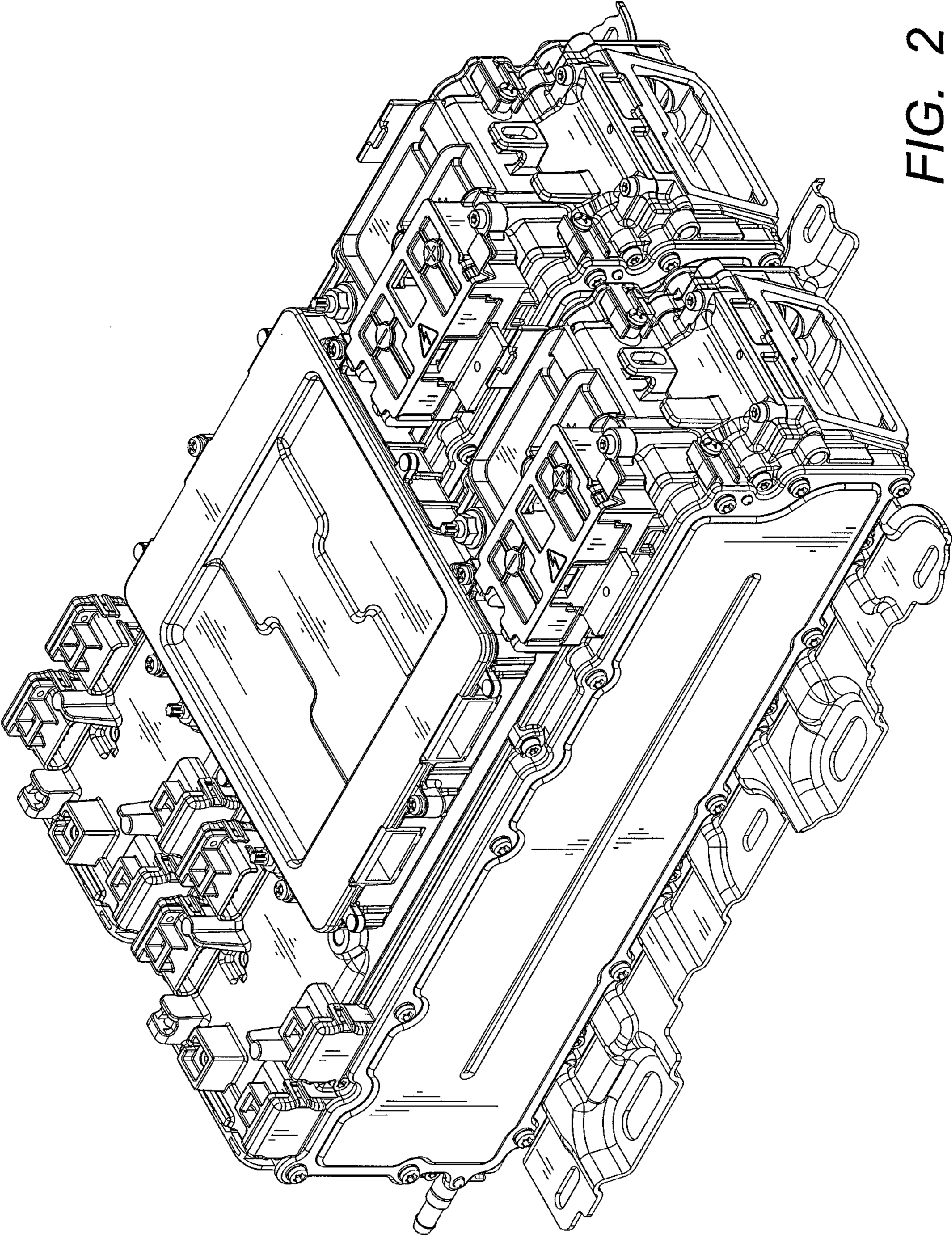


FIG. 2

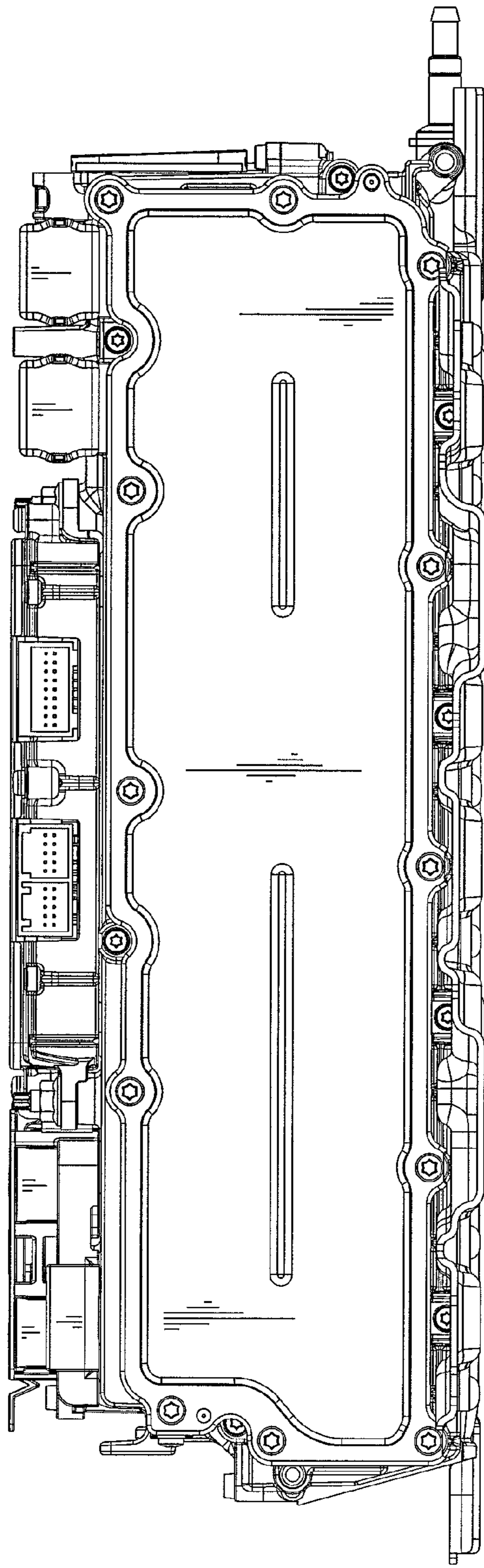


FIG. 3

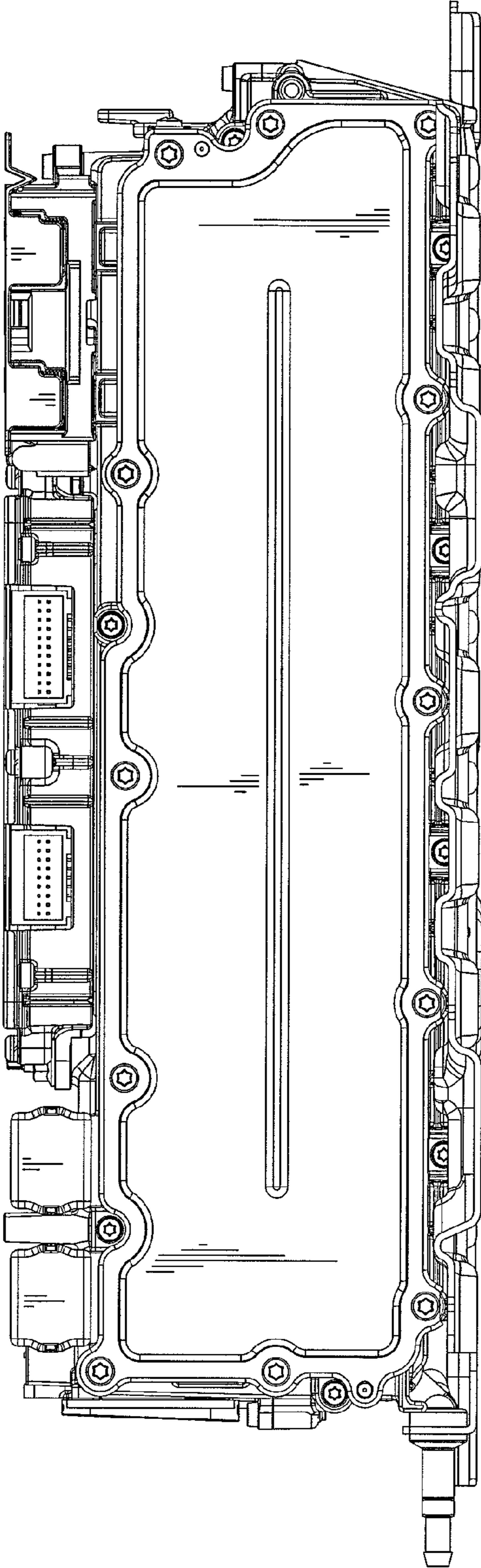


FIG. 4

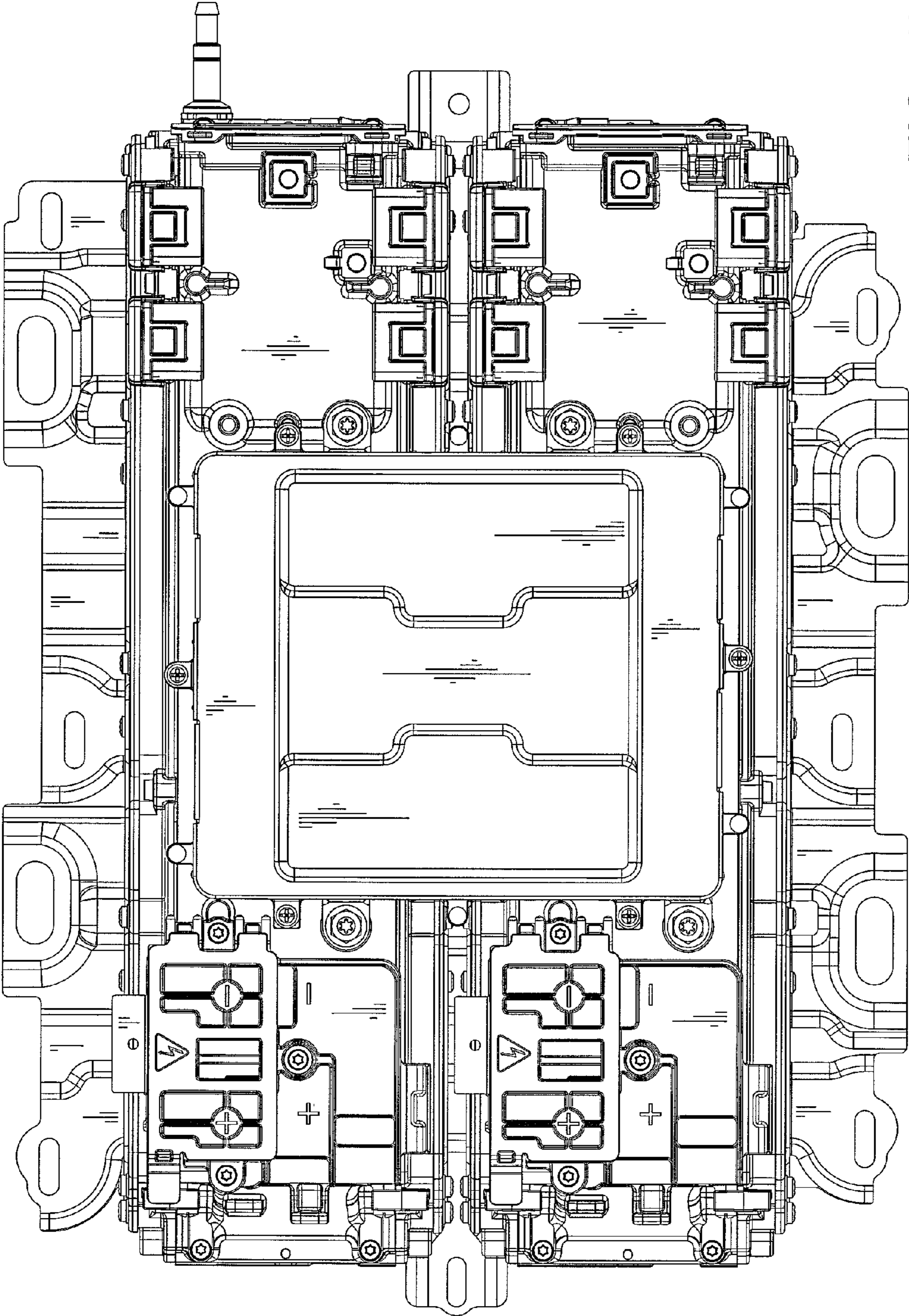


FIG. 5

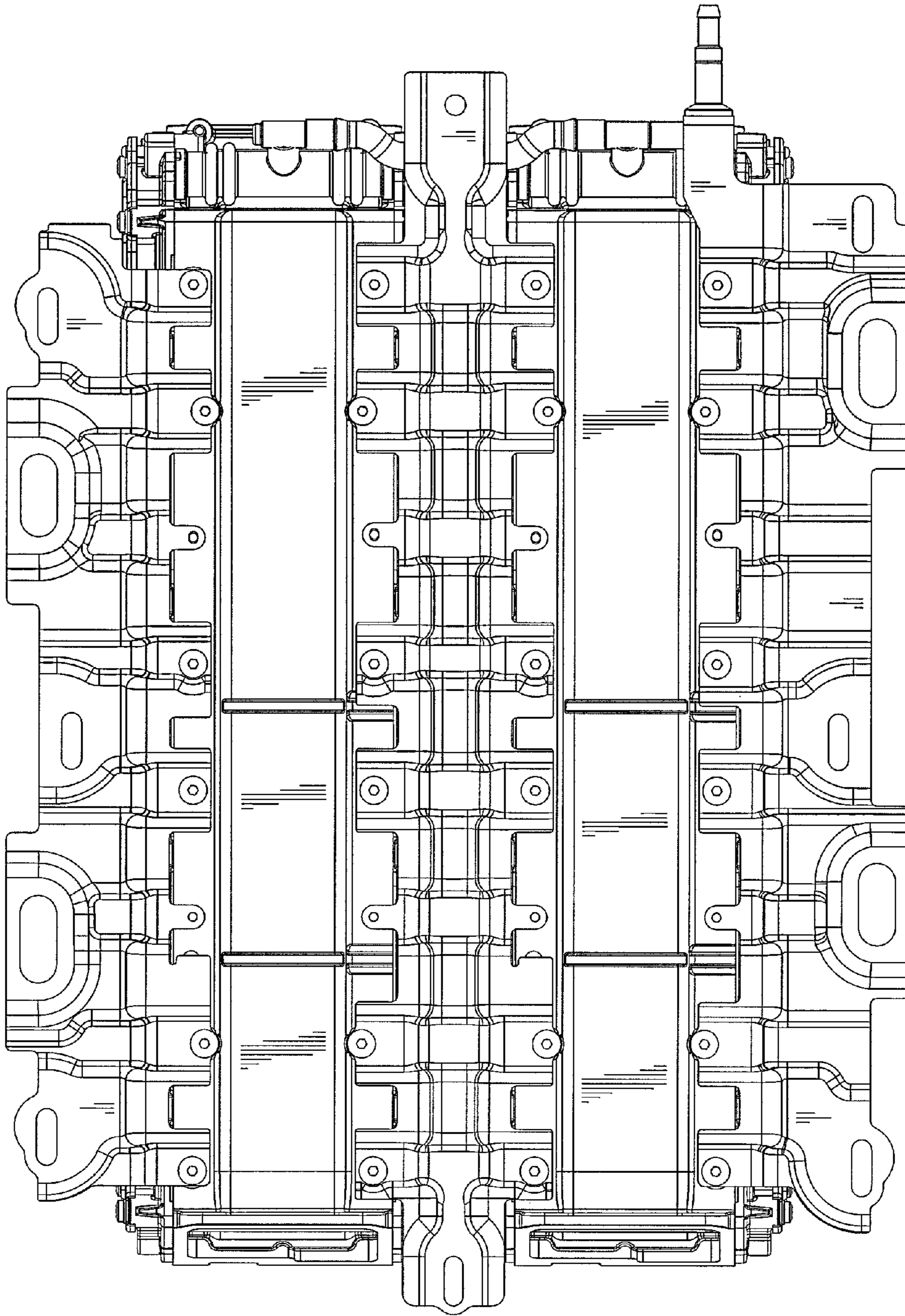


FIG. 6

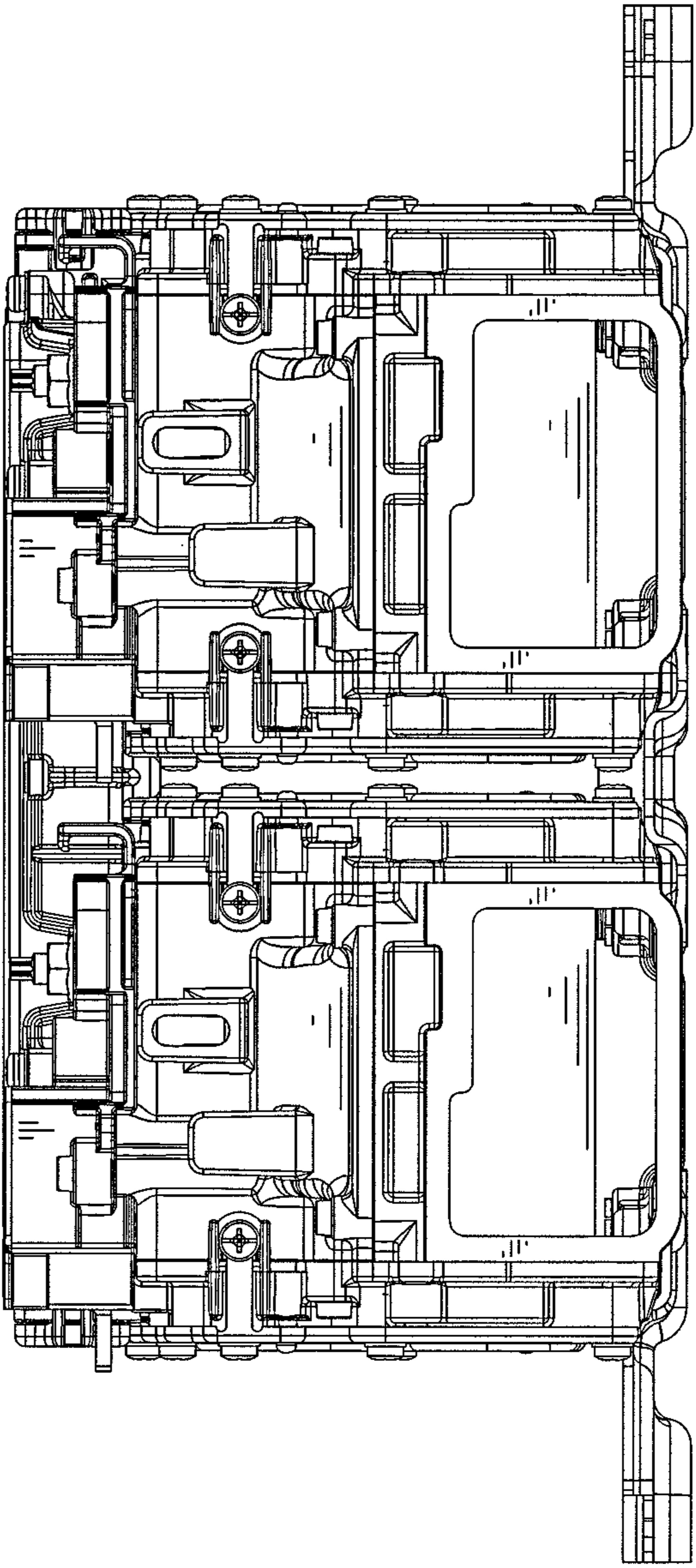


FIG. 7

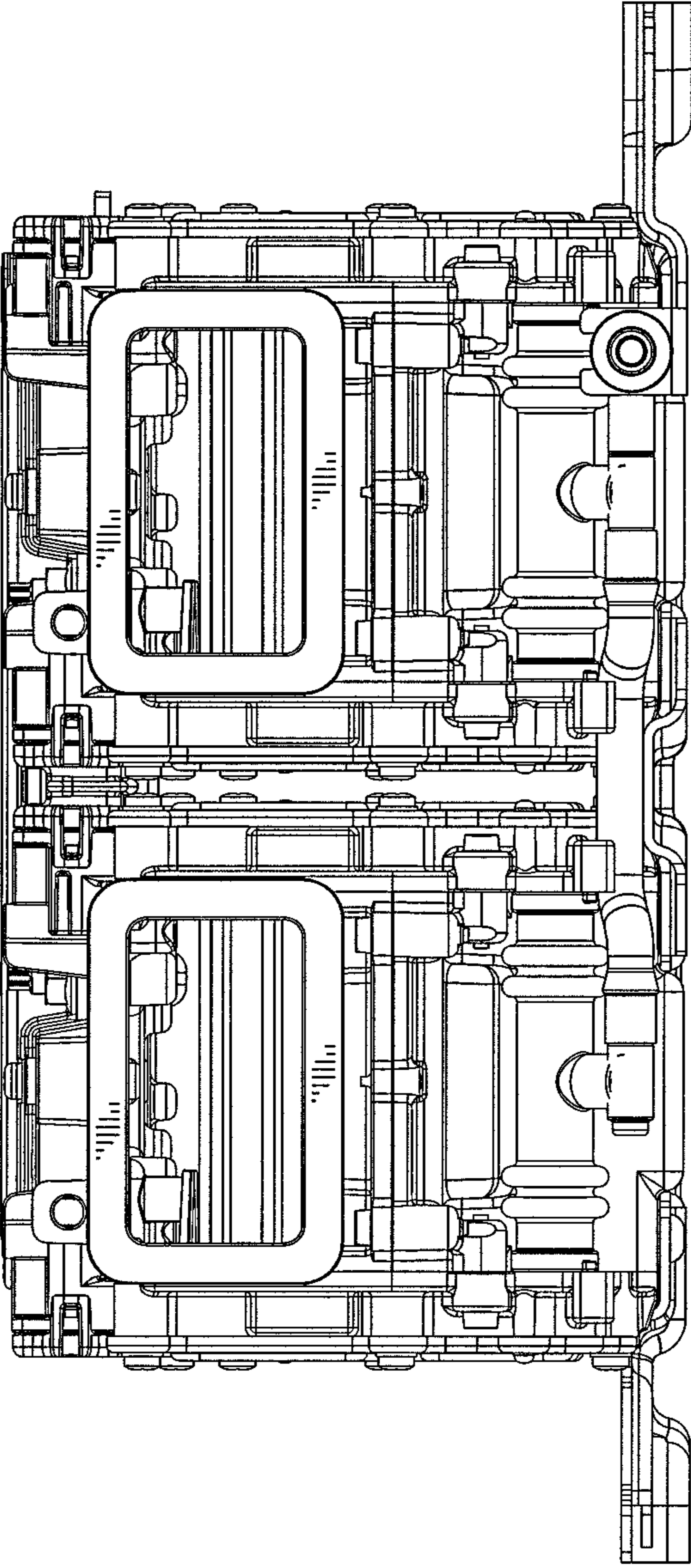


FIG. 8

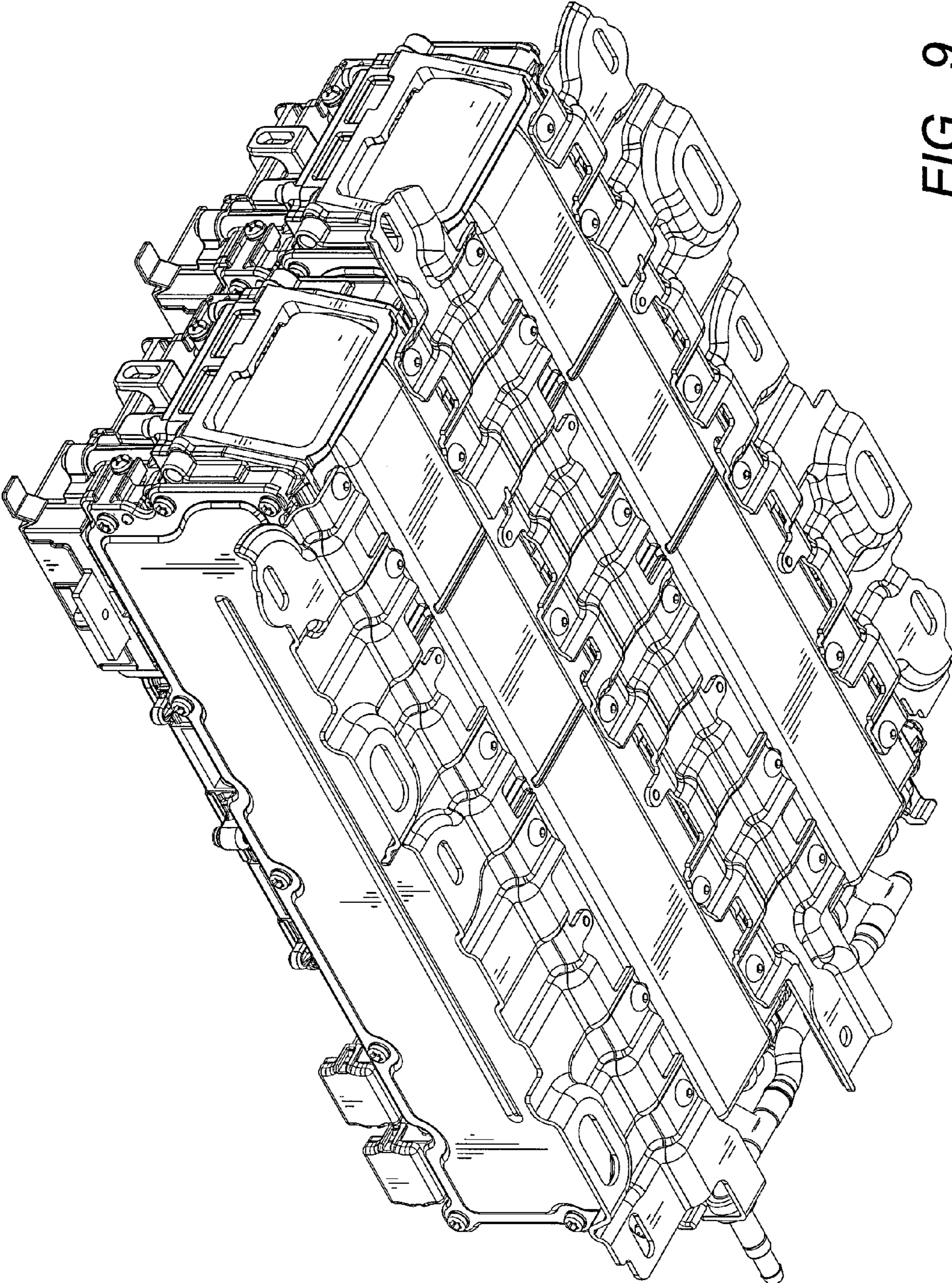


FIG. 9