



US00D685725S

(12) **United States Design Patent**
Kunz

(10) **Patent No.:** **US D685,725 S**

(45) **Date of Patent:** **** Jul. 9, 2013**

(54) **TOWER SOLAR PANELS**
(71) Applicant: **David Kunz**, Ogden, UT (US)
(72) Inventor: **David Kunz**, Ogden, UT (US)
(**) Term: **14 Years**

D505,113 S * 5/2005 Lam D13/107
D517,981 S * 3/2006 Daly D13/102
D524,727 S * 7/2006 Yamashita et al. D13/102
D543,500 S * 5/2007 Parness et al. D13/102
D600,201 S * 9/2009 Dallaire D13/102
D610,536 S * 2/2010 Brumels D13/102
D641,315 S * 7/2011 Rock D13/102
D662,040 S * 6/2012 Yang et al. D13/102

(21) Appl. No.: **29/444,715**

* cited by examiner

(22) Filed: **Feb. 1, 2013**

Primary Examiner — Derrick Holland

(51) **LOC (9) Cl.** **13-02**

(74) *Attorney, Agent, or Firm* — QuickPatents; Kevin Prince

(52) **U.S. Cl.**
USPC **D13/102**

(57) **CLAIM**

(58) **Field of Classification Search**
USPC D13/102, 101, 103, 107, 118, 119,
D13/184, 199; 126/561, 600, 605, 606, 627,
126/667; 136/206, 244–251, 256, 291, 292;
320/101, 102; 438/80

I claim the ornamental design for tower solar panels, as shown and described.

See application file for complete search history.

DESCRIPTION

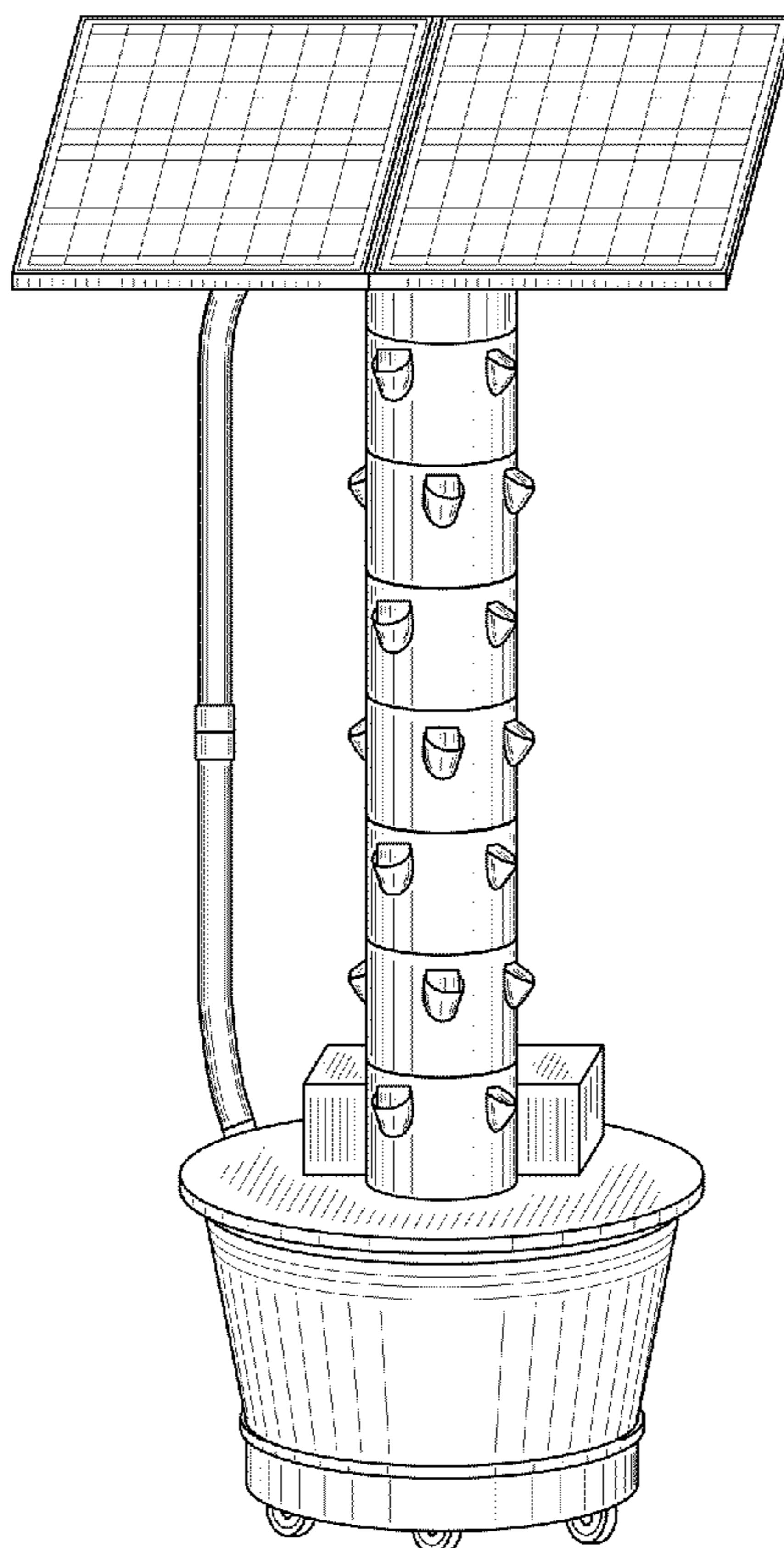
(56) **References Cited**

FIG. 1 is a perspective view of tower solar panels, showing my new design;
FIG. 2 is a front elevational view thereof;
FIG. 3 is a rear elevational view thereof;
FIG. 4 is a right-side elevational view thereof;
FIG. 5 is a left-side elevational view thereof;
FIG. 6 is a top plan view thereof; and,
FIG. 7 is a bottom plan view thereof.

U.S. PATENT DOCUMENTS

D311,722 S * 10/1990 Cheng D13/102
D420,973 S * 2/2000 Kalarney D13/102
6,201,181 B1 * 3/2001 Azzam et al. 136/244
6,363,928 B1 * 4/2002 Anderson, Jr. 126/577
6,396,239 B1 * 5/2002 Benn et al. 320/101

1 Claim, 3 Drawing Sheets



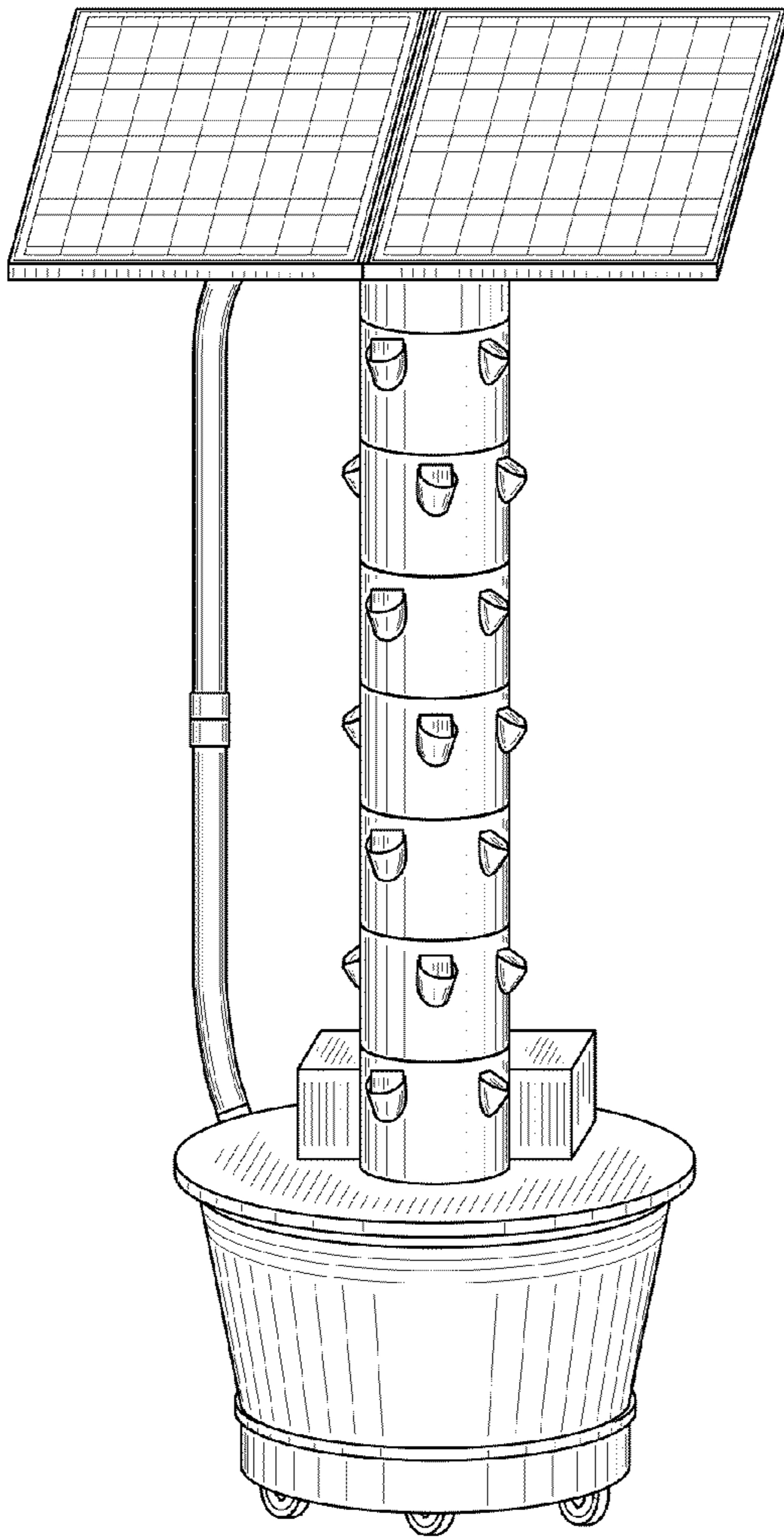


FIG. 1

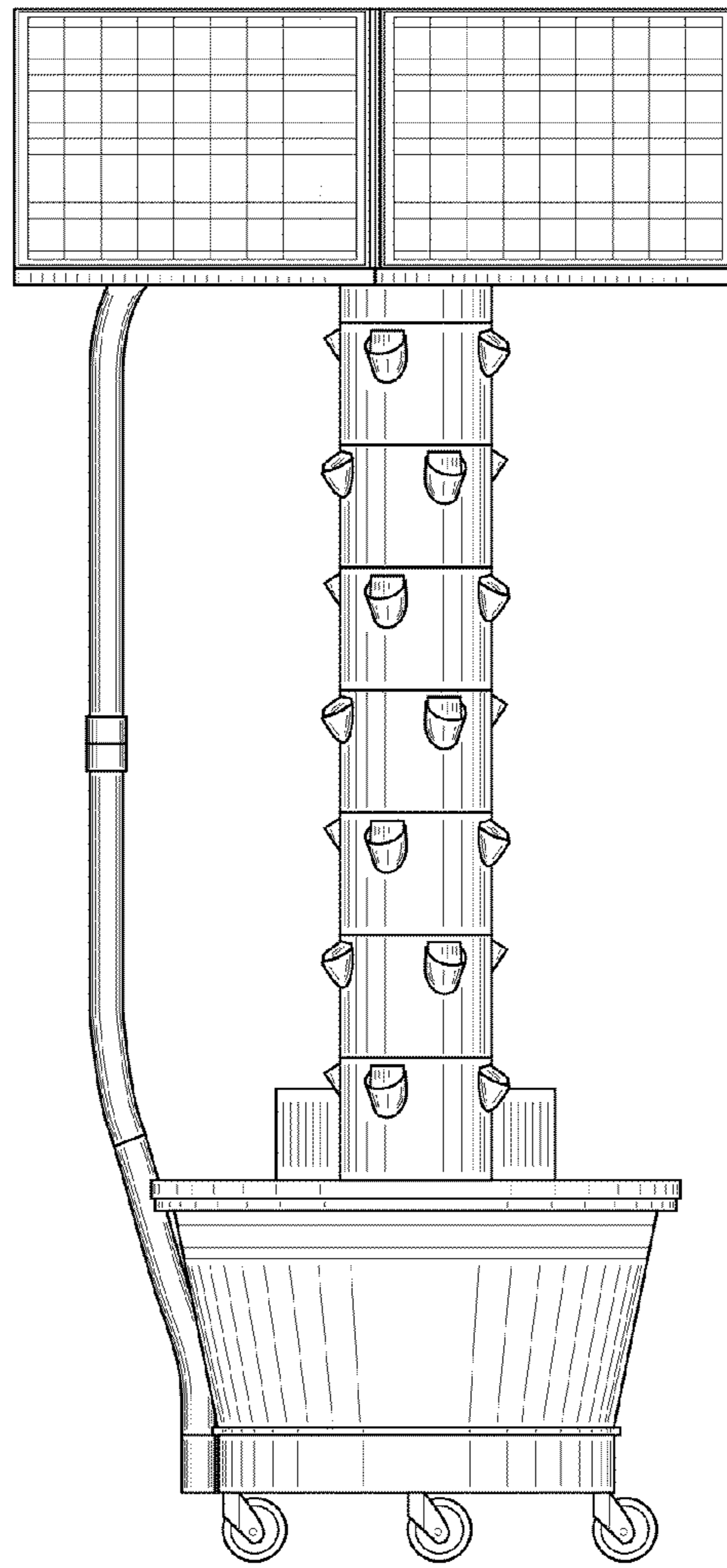


FIG. 2

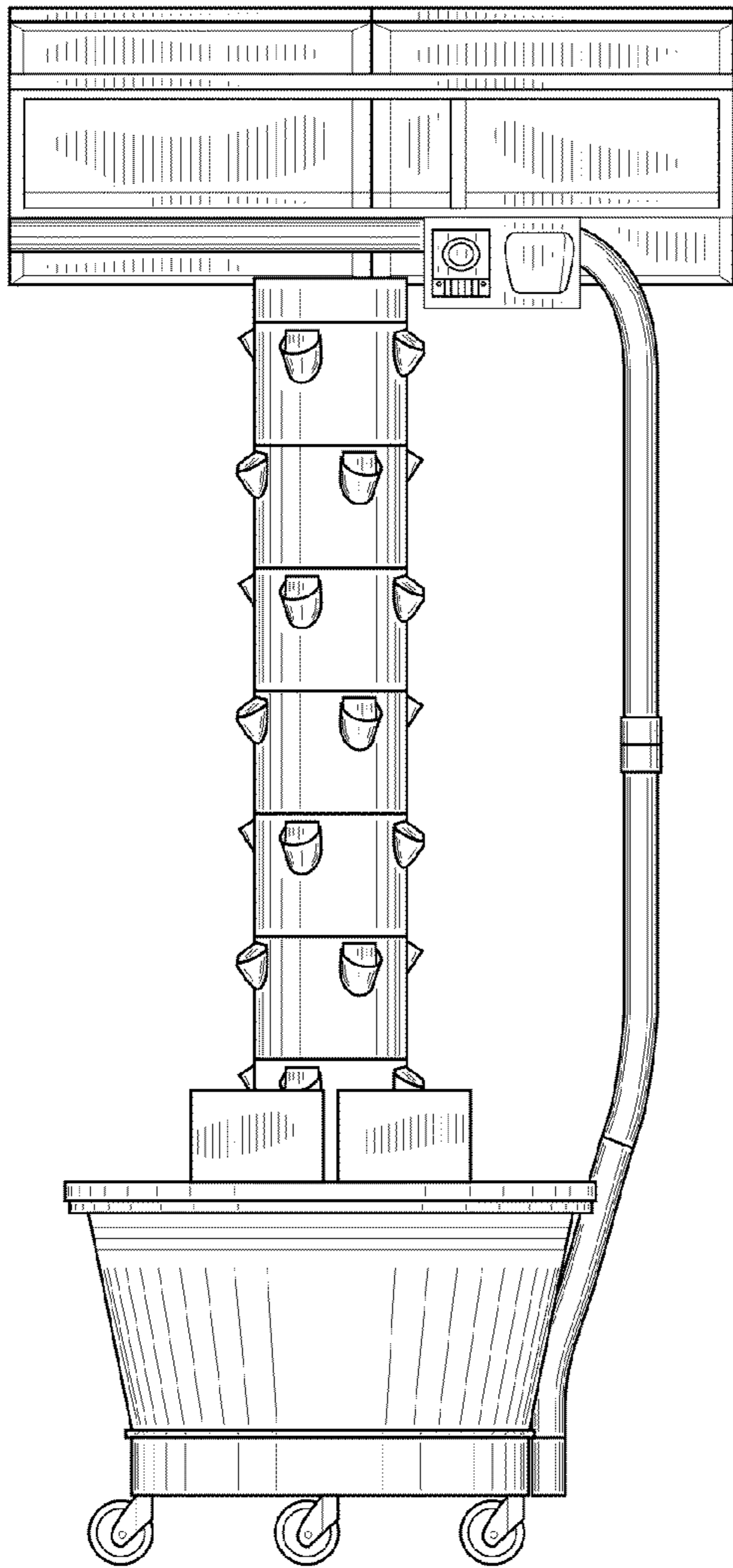


FIG. 3

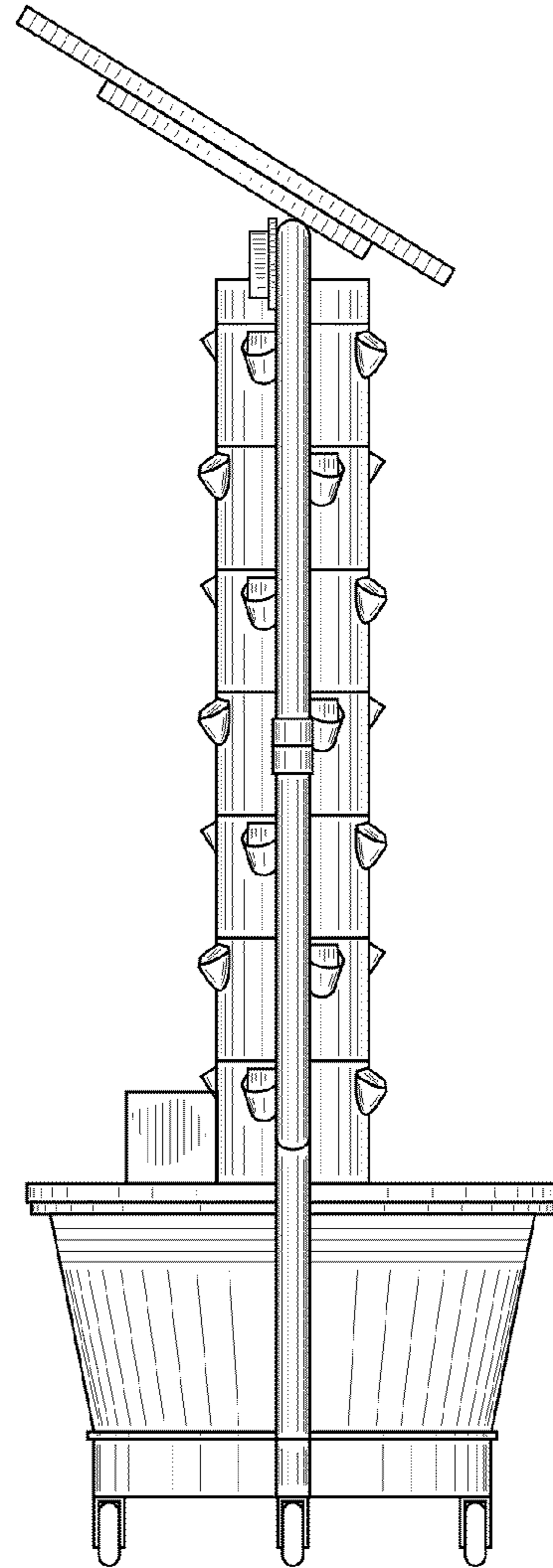


FIG. 4

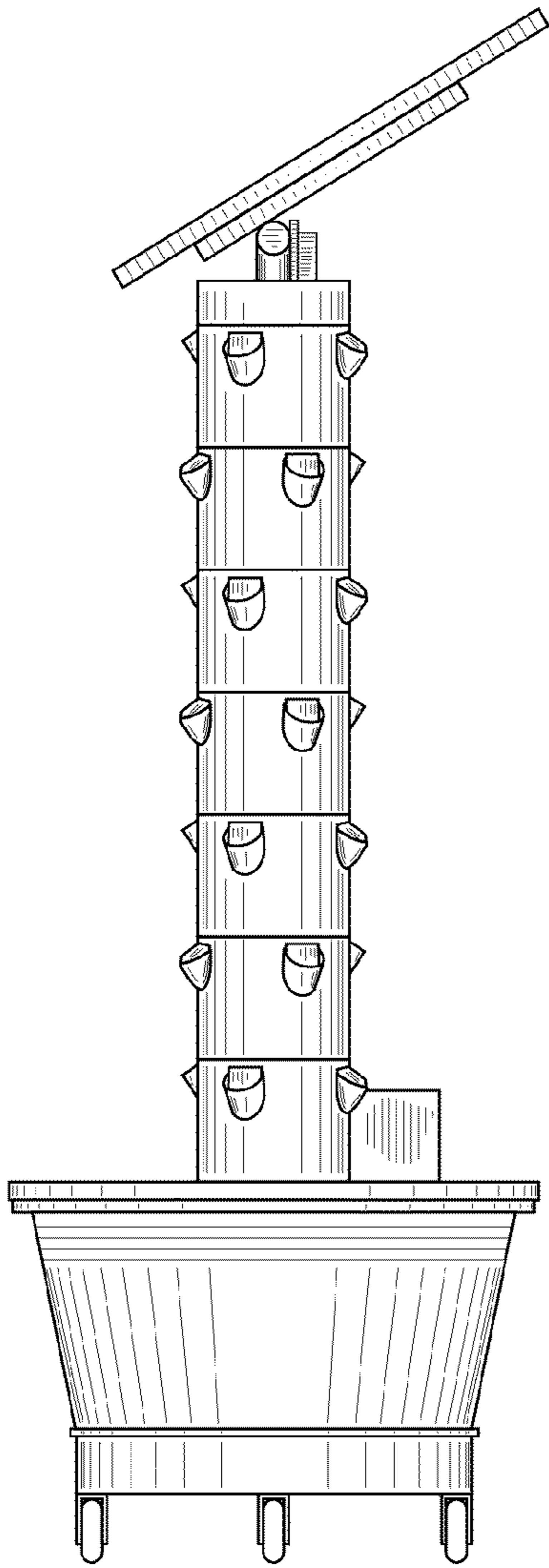


FIG. 5

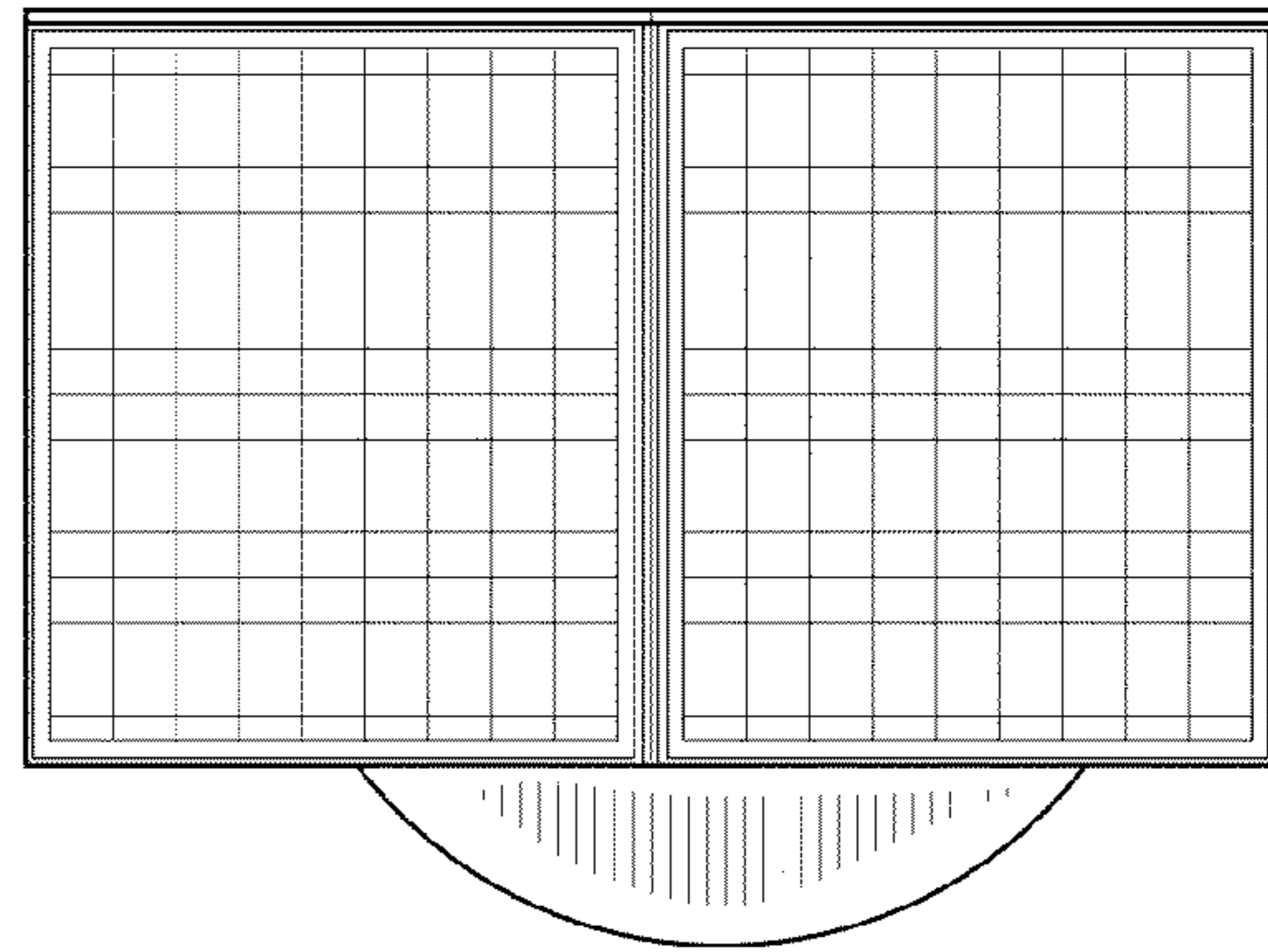


FIG. 6

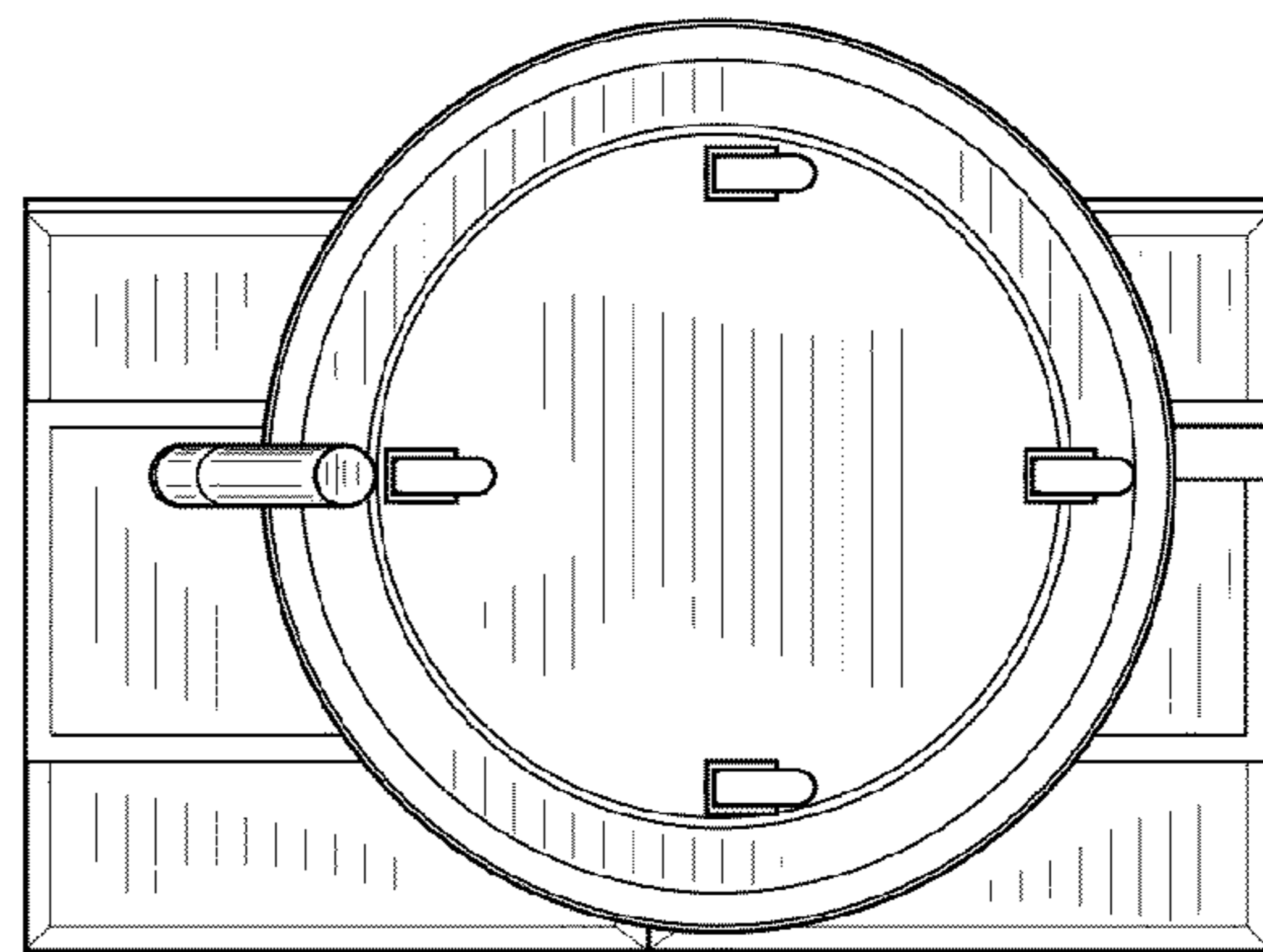


FIG. 7