



US00D685724S

(12) **United States Design Patent**
Jacobs

(10) **Patent No.:** **US D685,724 S**
(45) **Date of Patent:** **** Jul. 9, 2013**

(54) **TIRE TREAD**

D645,396 S * 9/2011 Jacobs et al. D12/600
D647,468 S * 10/2011 Weaver et al. D12/588
D675,981 S * 2/2013 Kuwahara D12/600

(75) Inventor: **Jeremy J. Jacobs**, Findlay, OH (US)

* cited by examiner

(73) Assignee: **Cooper Tire & Rubber Company**,
Findlay, OH (US)

Primary Examiner — George D Kirschbaum

(**) Term: **14 Years**

(74) *Attorney, Agent, or Firm* — Emch, Schaffer, Schaub &
Porcello, Co., L.P.A.

(21) Appl. No.: **29/374,388**

(57) **CLAIM**

(22) Filed: **Aug. 8, 2011**

The-ornamental design for a tire tread, as shown and
described.

(51) **LOC (9) Cl.** **12-15**

(52) **U.S. Cl.**
USPC **D12/600**

DESCRIPTION

(58) **Field of Classification Search**
USPC D12/568–603; 152/209.1–209.28
See application file for complete search history.

FIG. 1 is a perspective view of the tire tread in accordance
with the invention;
FIG. 2 is a front elevation view thereof;
FIG. 3 is a side elevation view thereof; and,
FIG. 4 is a partial front elevation view thereof, shown at an
enlarged scale.

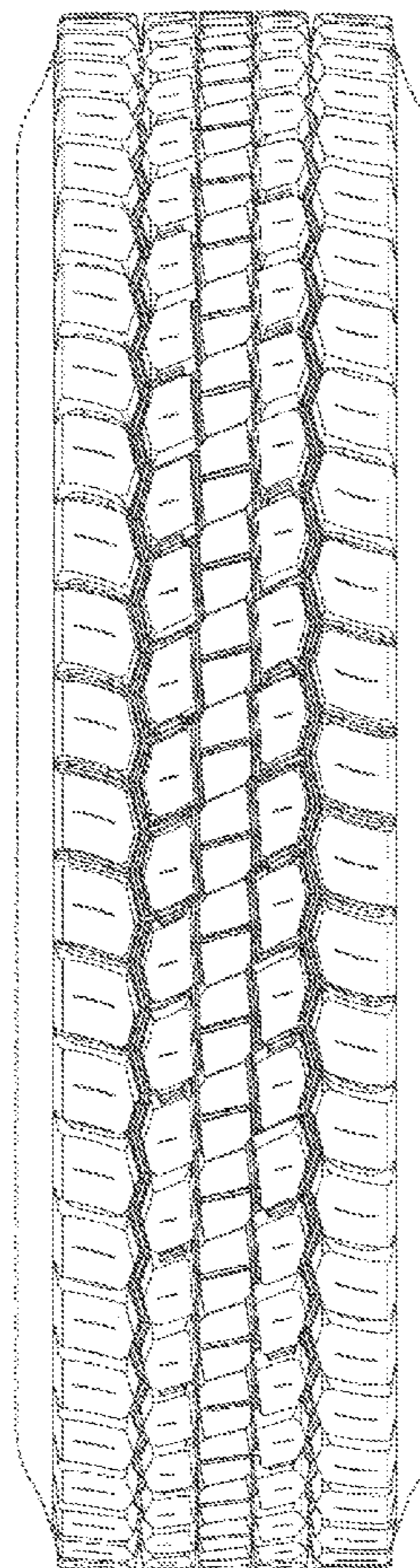
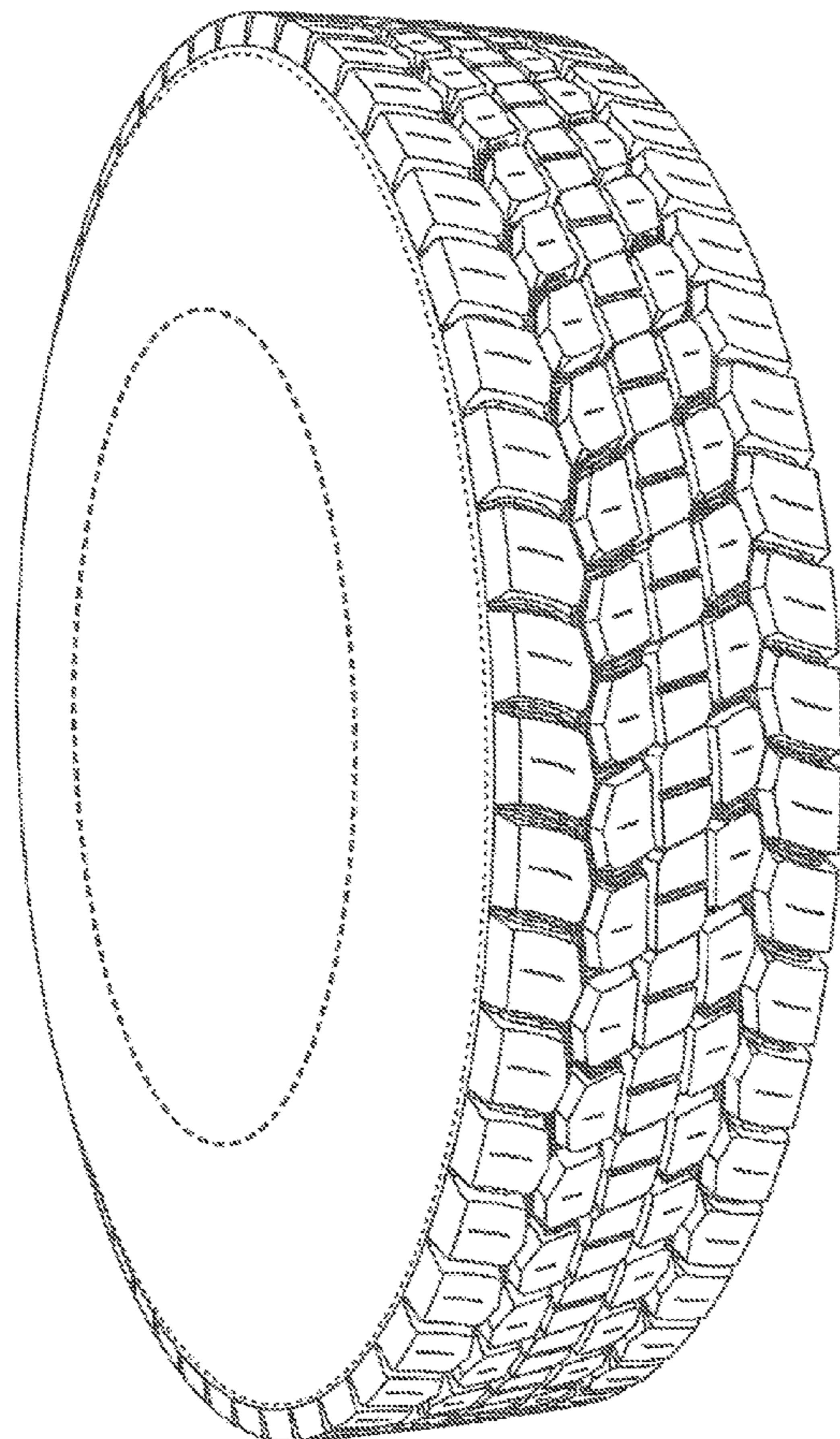
(56) **References Cited**

U.S. PATENT DOCUMENTS

D609,165 S * 2/2010 Fujioka D12/579
D609,172 S * 2/2010 Buchinger-Barnstorf ... D12/592
D637,150 S * 5/2011 Koshio D12/600
D638,351 S * 5/2011 Fujioka D12/579
D645,395 S * 9/2011 Martin D12/587

In the drawings, the broken lines defining the sidewall, inner
bead and the peripheral boundary between the claimed tire
tread and the unclaimed sidewall depict environmental sub-
ject matter that forms no part of the claimed design.

1 Claim, 4 Drawing Sheets



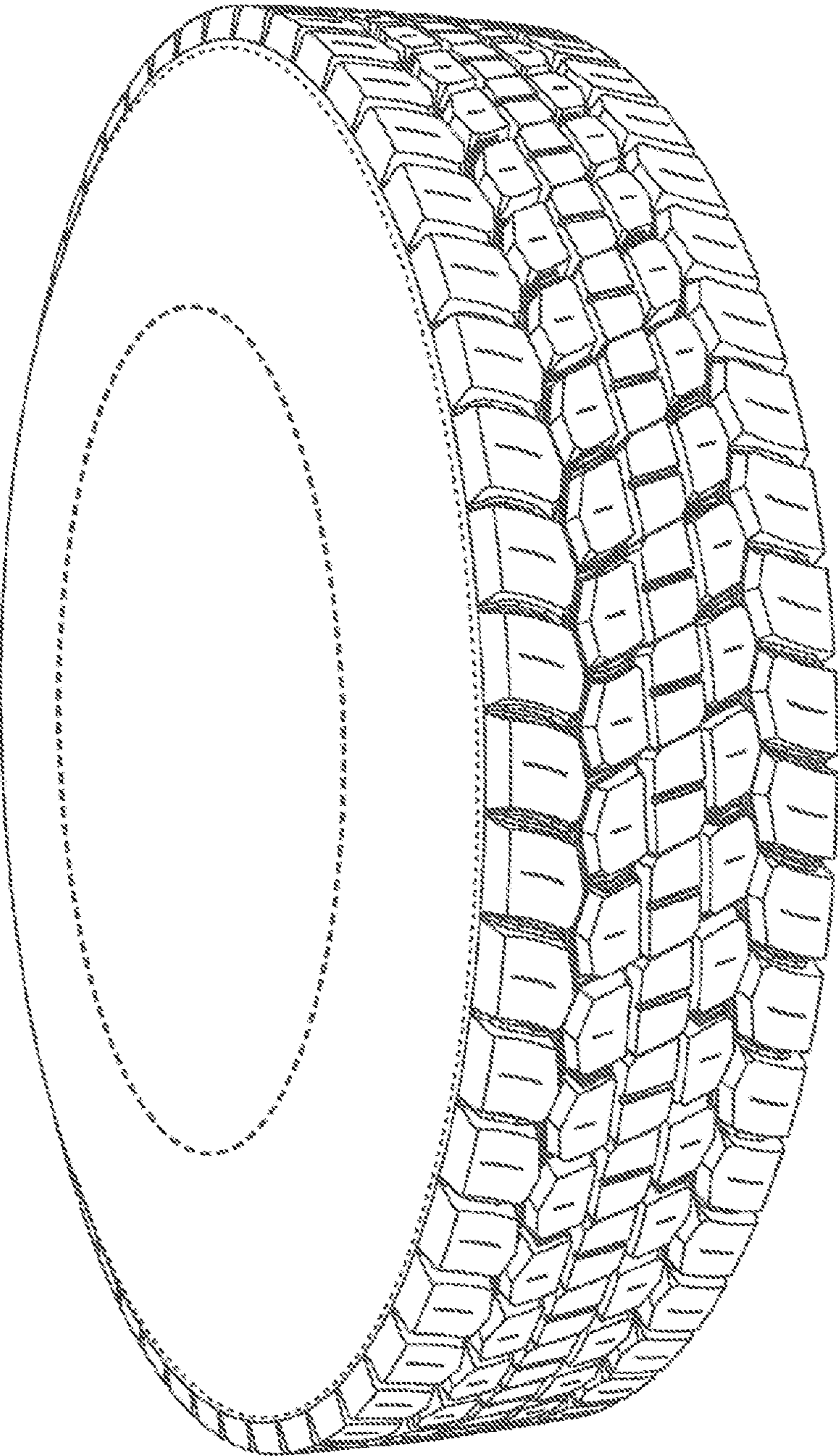


FIG. 1

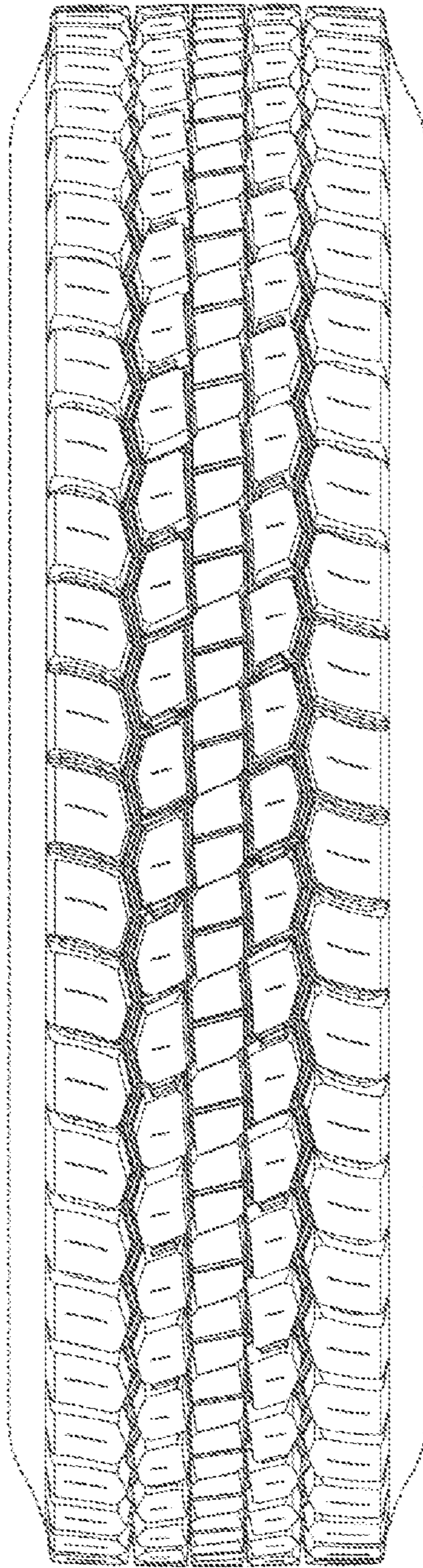


FIG. 2

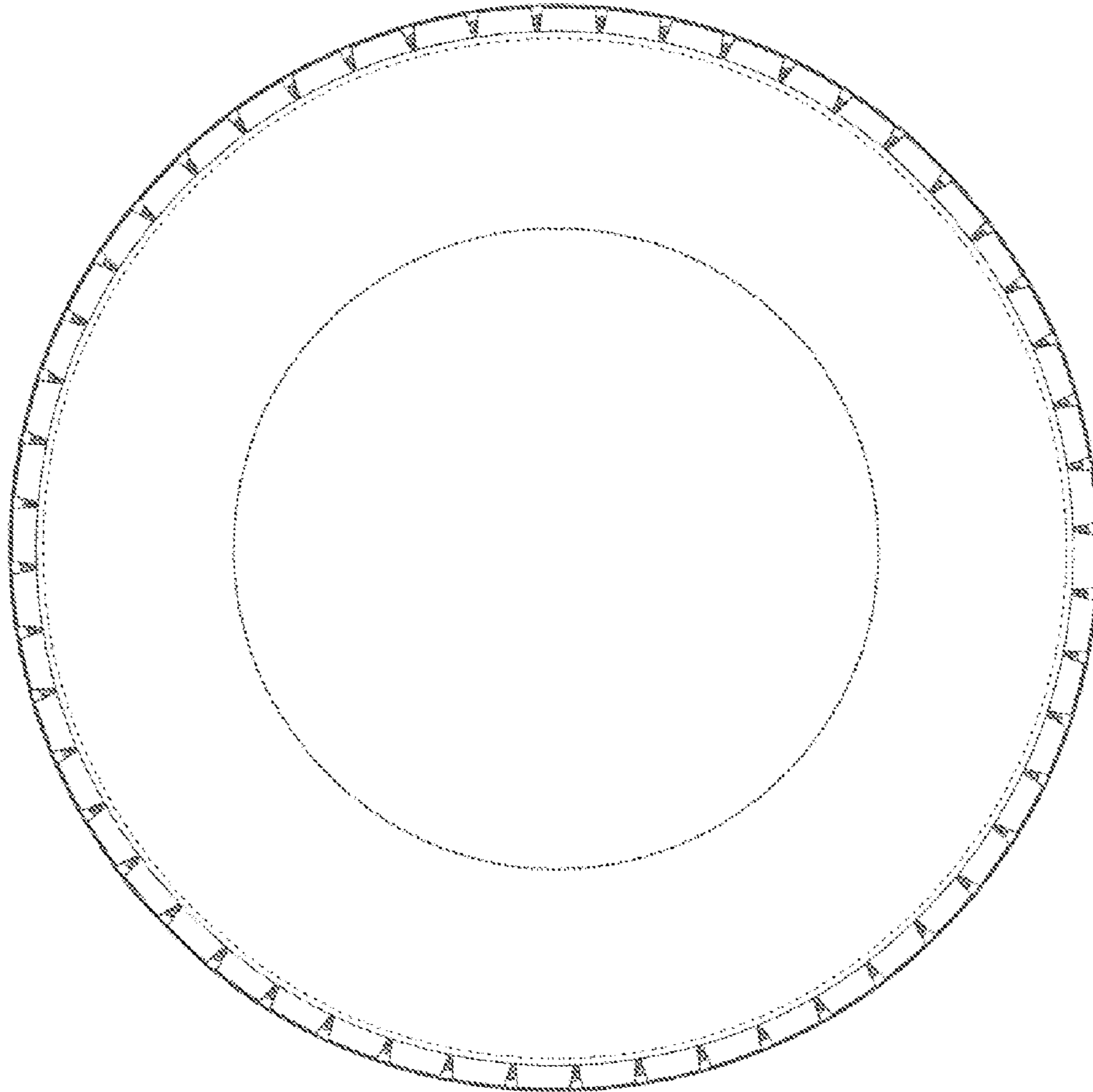


FIG. 3

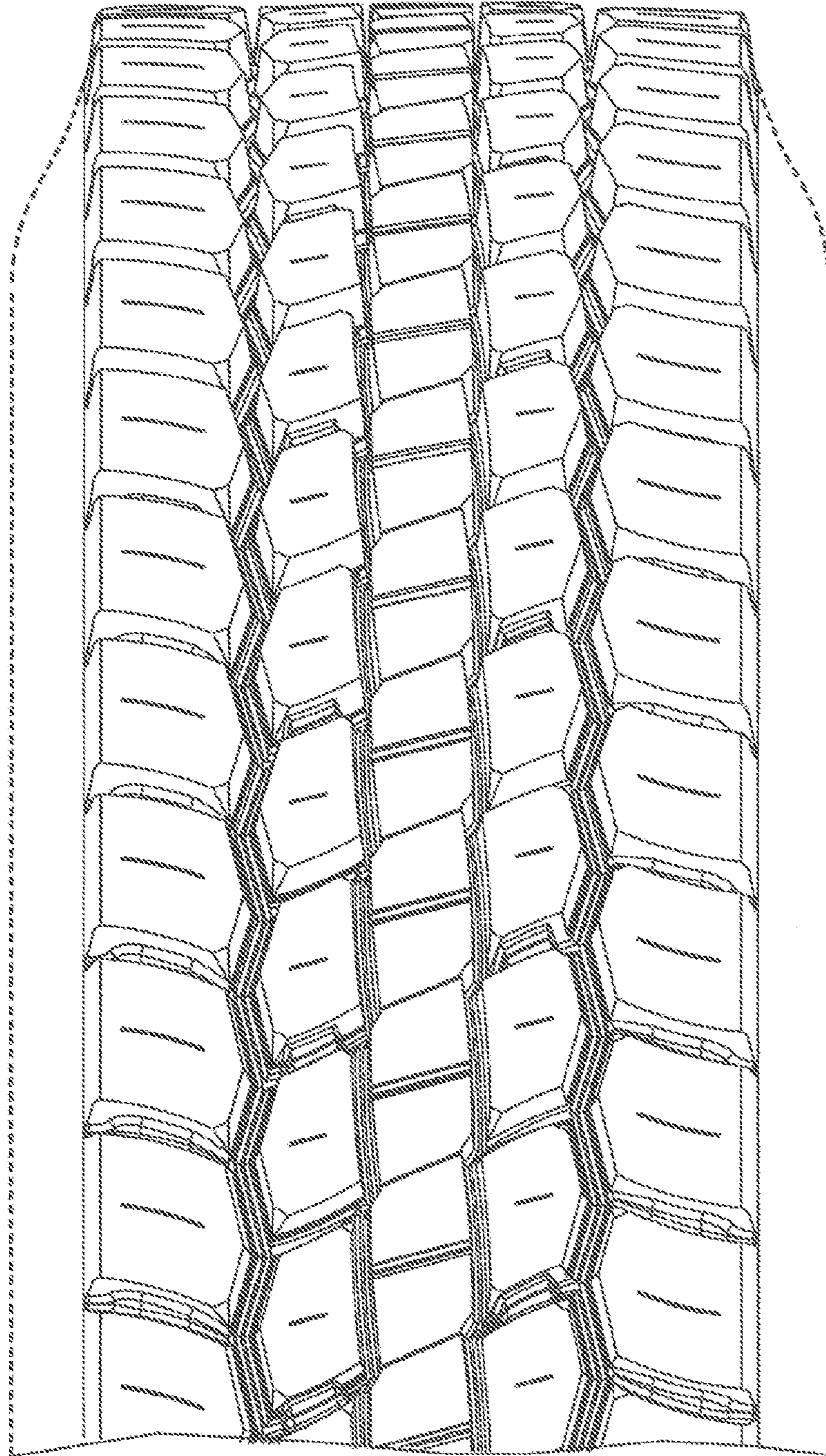


FIG. 4