



US00D685720S

(12) **United States Design Patent**  
**Ochi**

(10) **Patent No.:** **US D685,720 S**  
(45) **Date of Patent:** **\*\* Jul. 9, 2013**

(54) **TREAD PORTION OF AN AUTOMOBILE  
TIRE**

(75) **Inventor:** **Naoya Ochi, Tokyo (JP)**

(73) **Assignee:** **Bridgestone Corporation, Tokyo (JP)**

(\*\*) **Term:** **14 Years**

(21) **Appl. No.:** **29/412,089**

(22) **Filed:** **Jan. 30, 2012**

(30) **Foreign Application Priority Data**

Dec. 28, 2011 (JP) ..... 2011-030655

(51) **LOC (9) Cl.** ..... **12-15**

(52) **U.S. Cl.**  
USPC ..... **D12/530**

(58) **Field of Classification Search**  
USPC ..... D12/505-532; 152/209.1-209.28  
See application file for complete search history.

(56) **References Cited**

U.S. PATENT DOCUMENTS

|              |         |                     |         |
|--------------|---------|---------------------|---------|
| D386,725 S * | 11/1997 | Matsuda et al. .... | D12/601 |
| D640,182 S * | 6/2011  | Kiwaki .....        | D12/518 |
| D666,139 S * | 8/2012  | Miyazaki .....      | D12/531 |
| D668,599 S * | 10/2012 | Ochi .....          | D12/530 |

\* cited by examiner

*Primary Examiner* — George D Kirschbaum  
(74) *Attorney, Agent, or Firm* — Sughrue Mion, PLLC

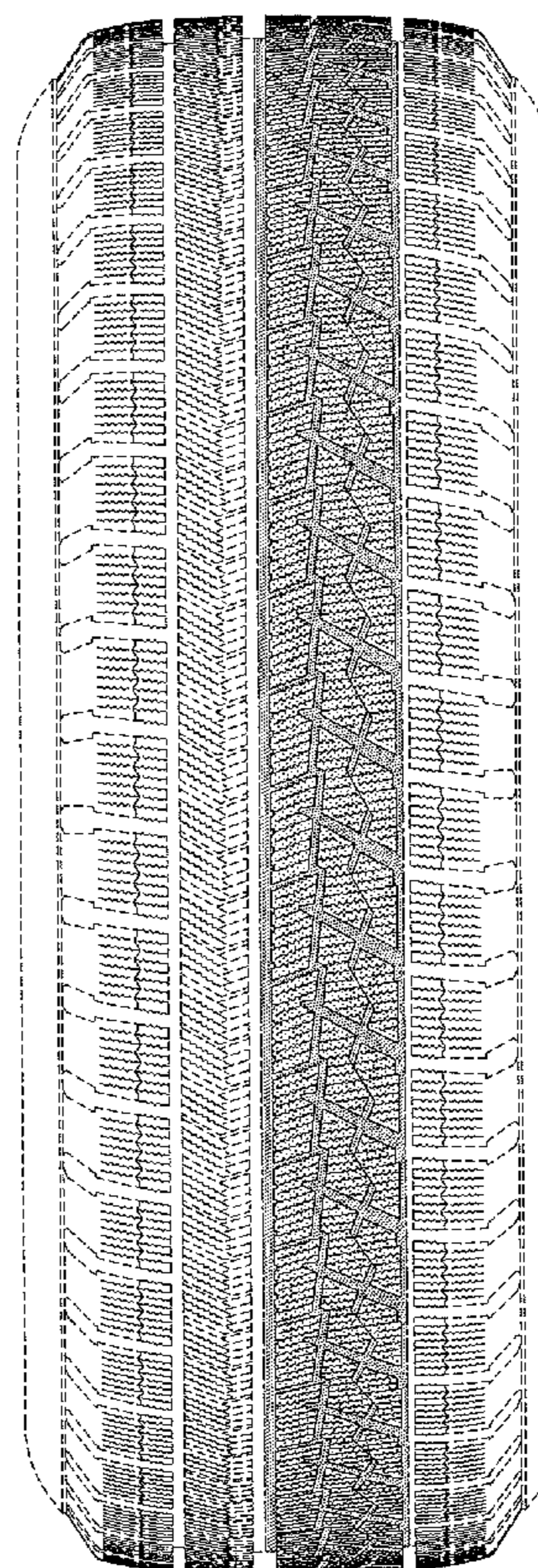
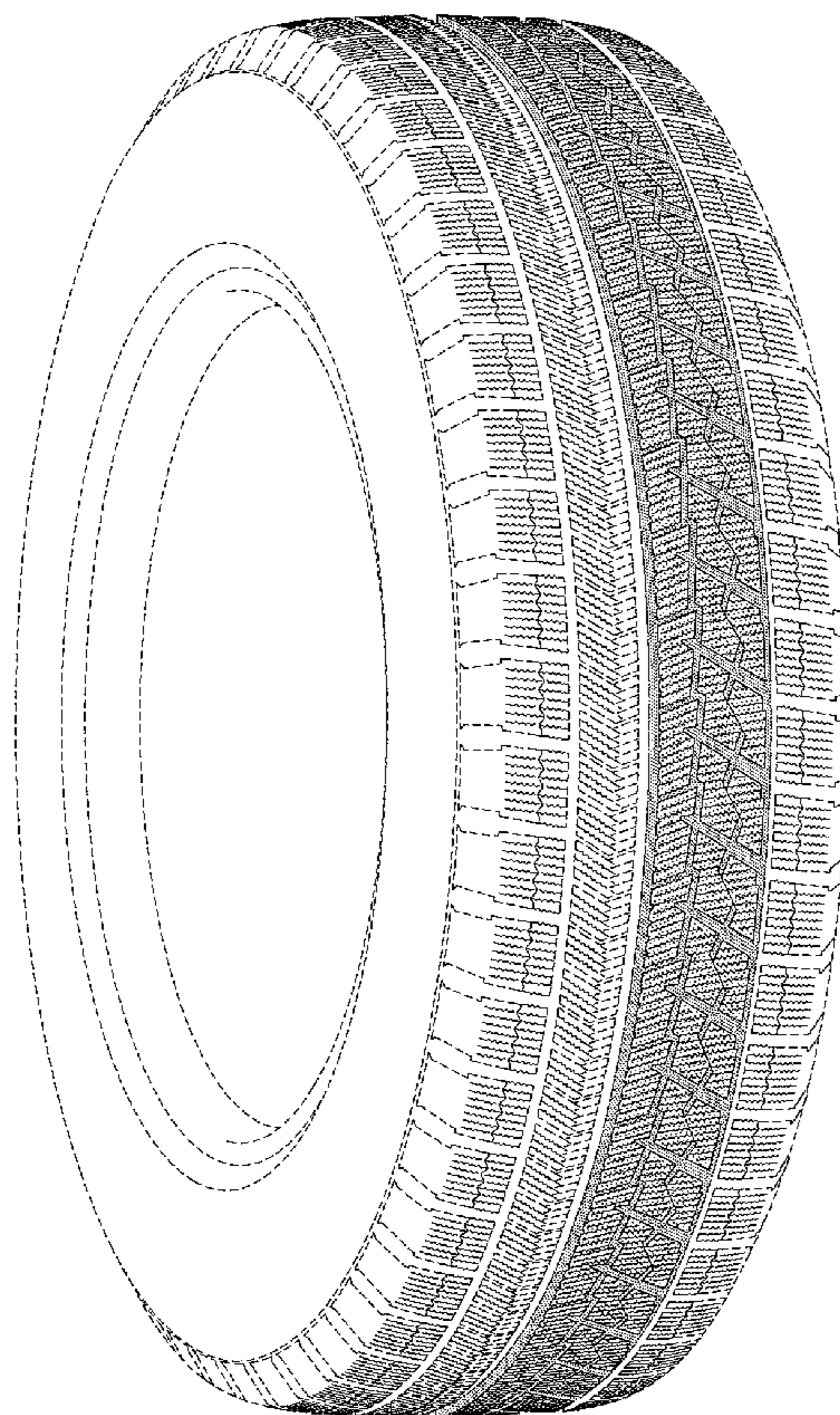
(57) **CLAIM**

The ornamental design for a tread portion of an automobile tire, as shown and described.

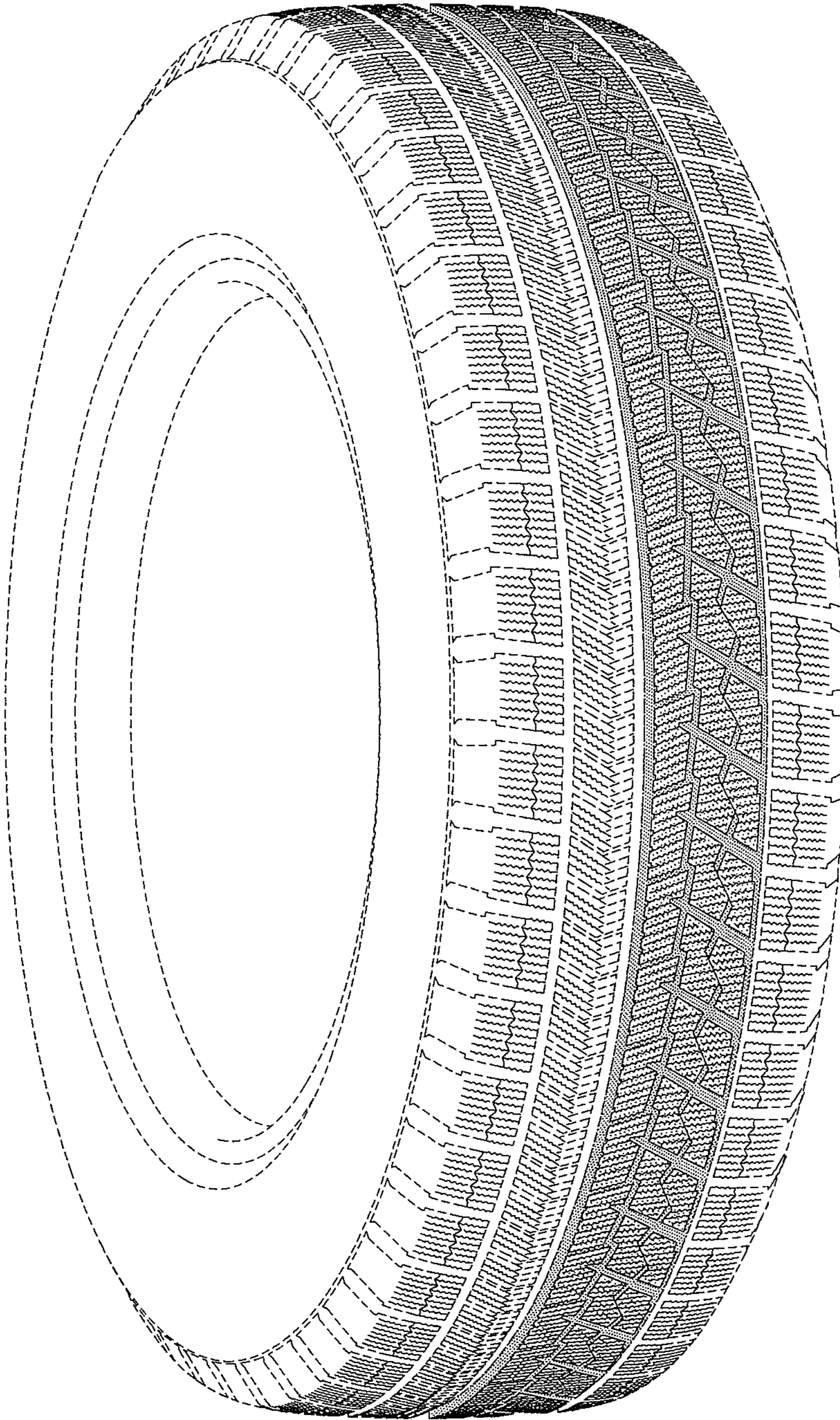
**DESCRIPTION**

FIG. 1 is a perspective view of a tread portion of an automobile tire according to my design;  
FIG. 2 is a front view thereof;  
FIG. 3 is a plane view thereof;  
FIG. 4 is a right side view thereof;  
FIG. 5 is a rear view thereof;  
FIG. 6 is a fragmentary enlarged view showing the details of the tread portion thereof; and,  
FIG. 7 is an end view taken along line 7-7 in FIG. 6 thereof. Broken lines in the drawing figures are used to show portions of the tire that are not being claimed, and thus form no part of the claimed design.

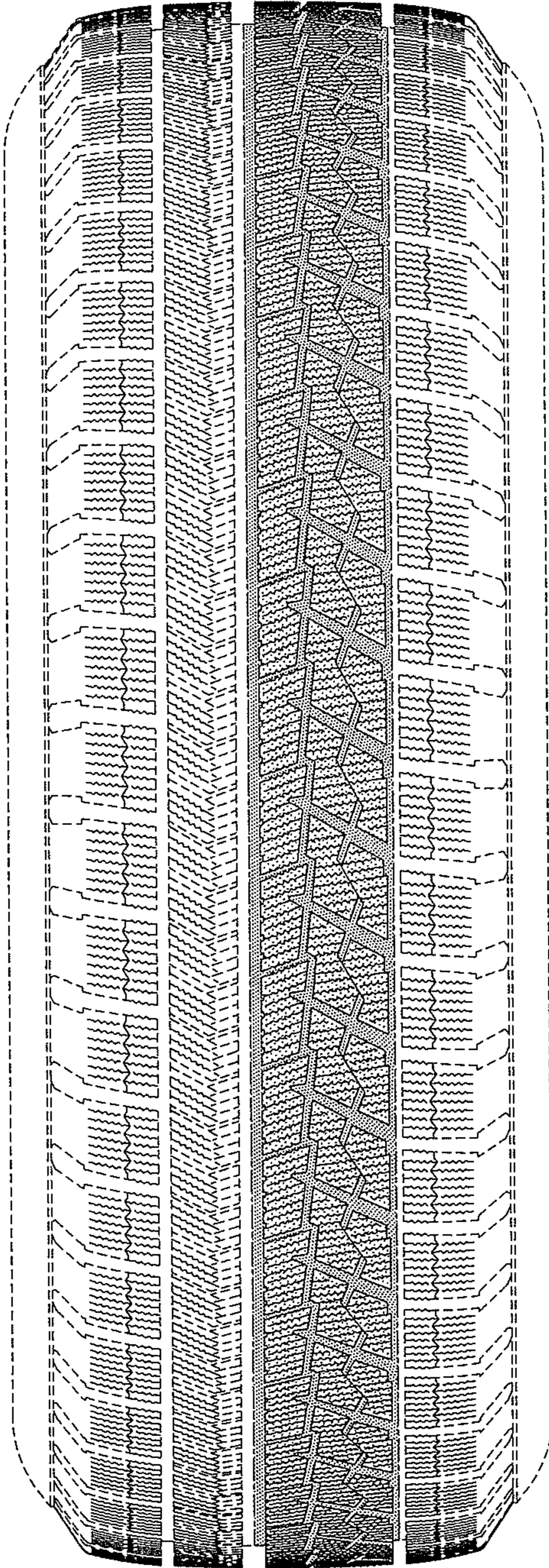
**1 Claim, 7 Drawing Sheets**



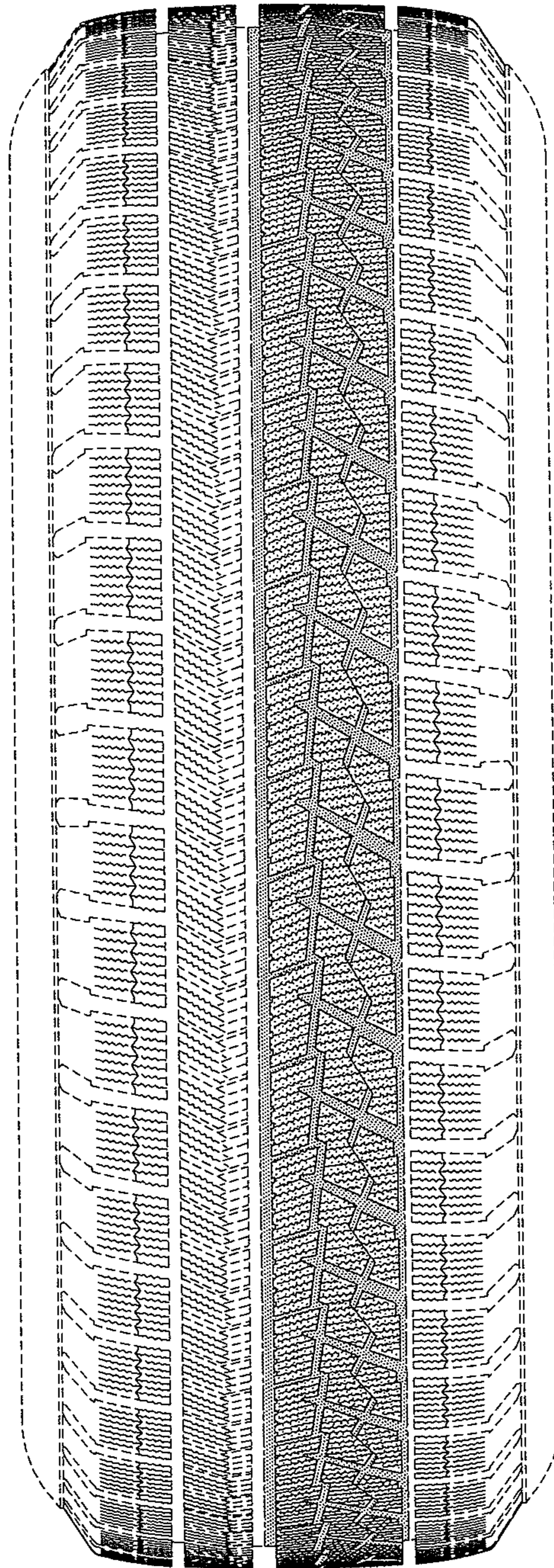
*FIG. 1*



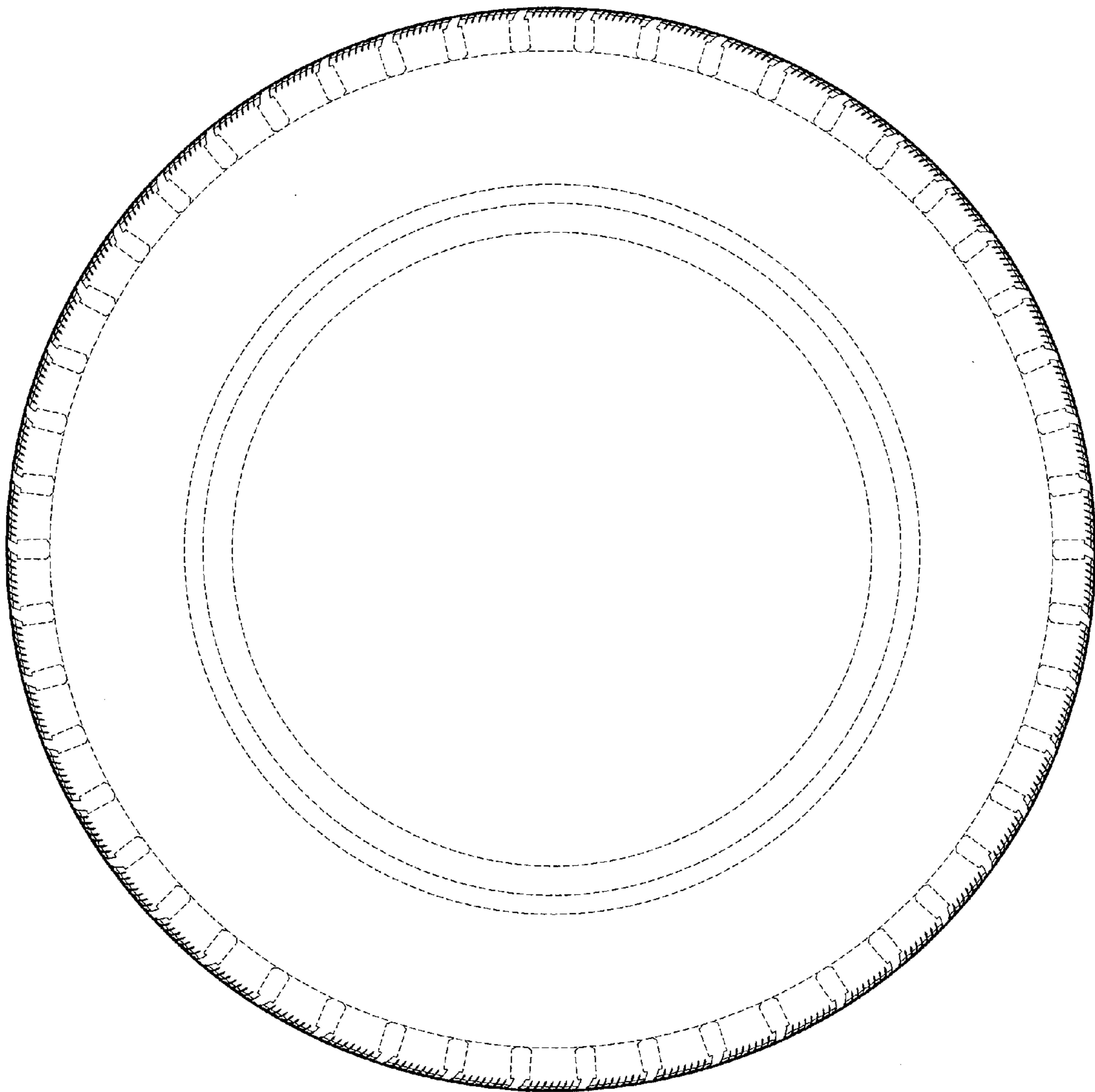
*FIG. 2*



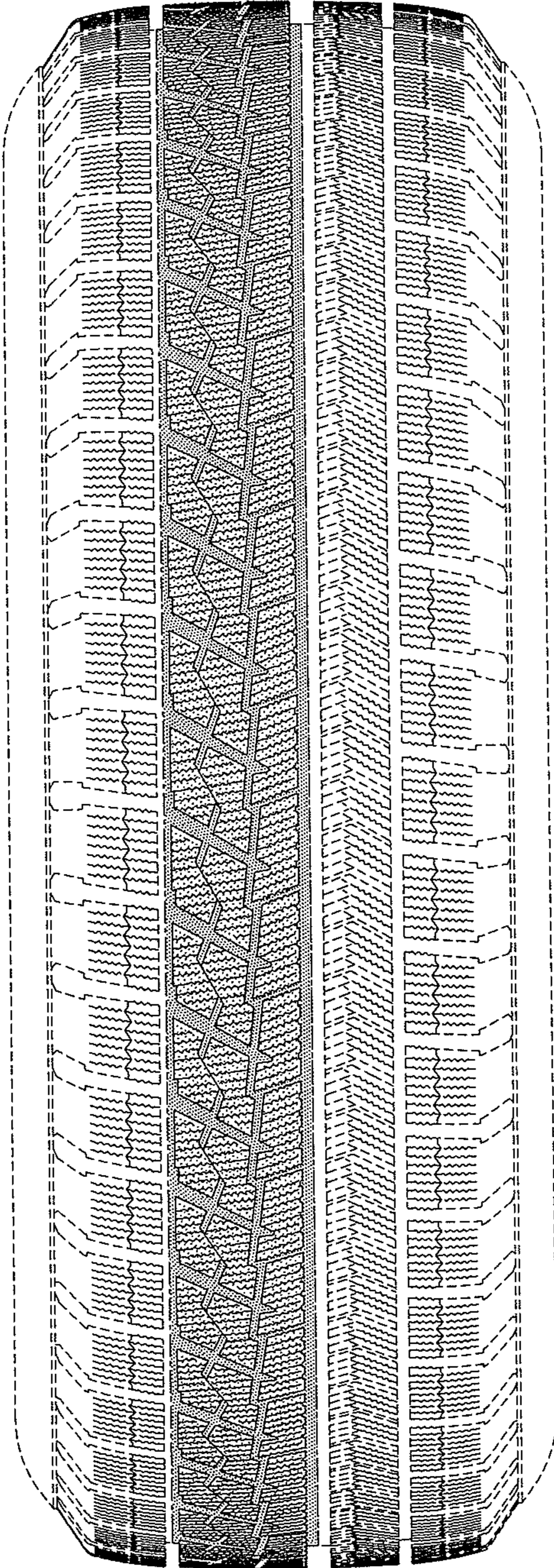
*FIG. 3*



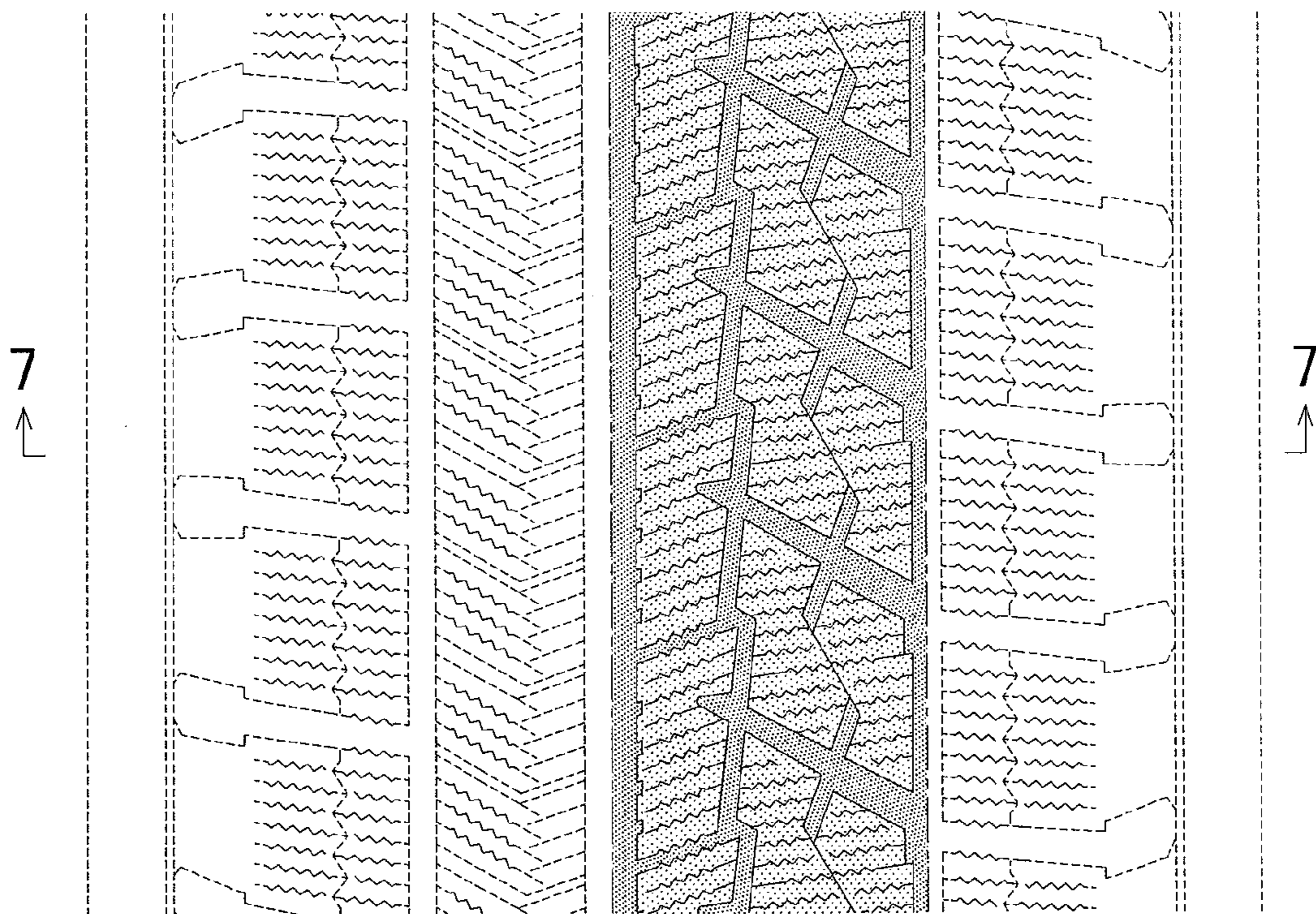
*FIG. 4*



*FIG. 5*



*FIG. 6*



*FIG. 7*

