



US00D685718S

(12) **United States Design Patent**  
**Williams**

(10) **Patent No.:** **US D685,718 S**  
(45) **Date of Patent:** **\*\* Jul. 9, 2013**

(54) **REMOVABLE GAP CLOSING WEDGE FOR  
AUTOMOBILE SEATS**

6,652,024 B2 11/2003 Prasatek  
D500,284 S \* 12/2004 Clark ..... D12/415  
D598,362 S \* 8/2009 Tan et al. .... D12/415

(76) Inventor: **Lincoln Williams**, Lincoln, NE (US)

\* cited by examiner

(\*\*) Term: **14 Years**

*Primary Examiner* — Katrina A Betton

(21) Appl. No.: **29/377,538**

(74) *Attorney, Agent, or Firm* — Montgomery Patent & Design, LLC; Robert C. Montgomery; Joseph Yaksich

(22) Filed: **Oct. 22, 2010**

(51) **LOC (9) Cl.** ..... **12-16**

(52) **U.S. Cl.**  
USPC ..... **D12/416**

(58) **Field of Classification Search**  
USPC ..... D12/415, 416, 417, 418, 419; D3/319;  
224/275

See application file for complete search history.

(57) **CLAIM**

The ornamental design for a removable gap closing wedge for automobile seats, as shown and described.

**DESCRIPTION**

FIG. 1 is a perspective view of a removable gap closing wedge for automobile seats, showing my new design;  
FIG. 2 is a front view thereof;  
FIG. 3 is a rear view thereof;  
FIG. 4 is a left side view thereof;  
FIG. 5 is a right side view thereof;  
FIG. 6 is a top view thereof; and,  
FIG. 7 is a bottom view thereof.

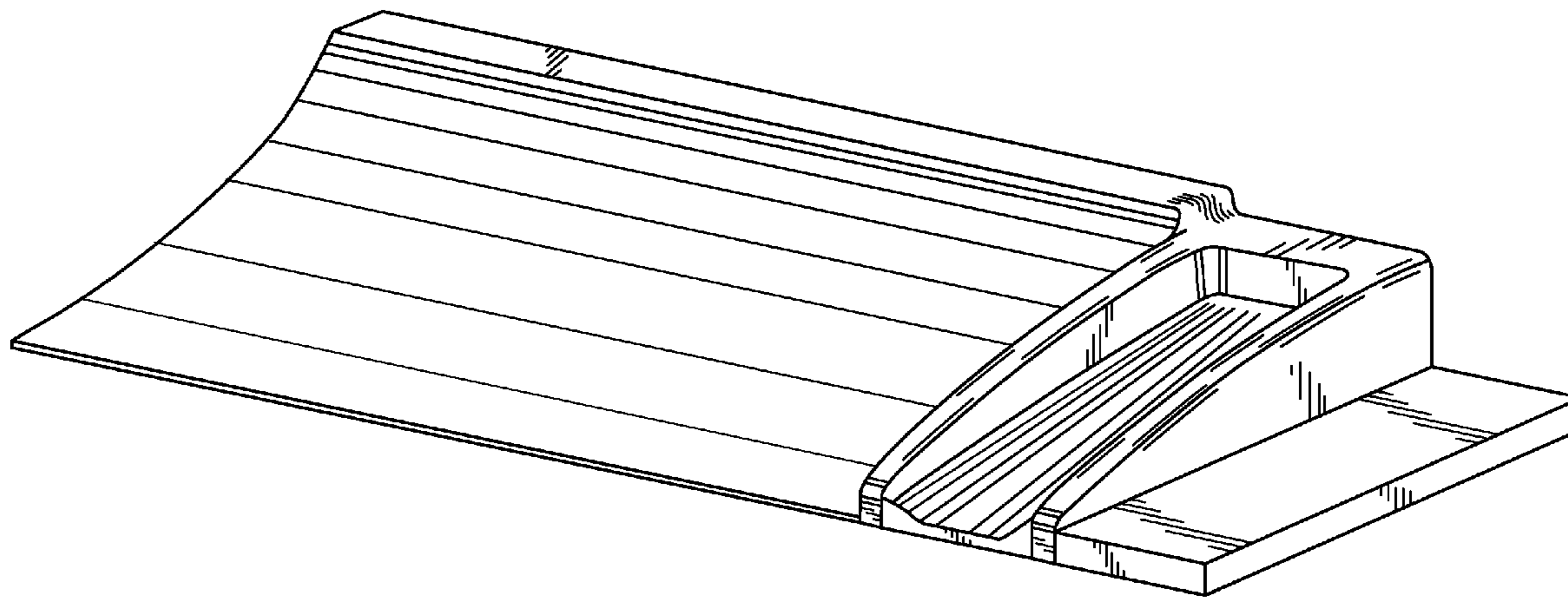
FIGS. 1 through 7 illustrate a right-hand removable gap closing wedge for automobile seats, it is to be understood that the invention includes a left-hand removable gap closing wedge for automobile seats which would be illustrated as a mirror image of any or all of the views shown in FIGS. 1 through 7.

(56) **References Cited**

U.S. PATENT DOCUMENTS

2,571,574	A	10/1951	Hicks	
3,304,143	A *	2/1967	Connell	312/231
D233,428	S *	10/1974	Hestand	D12/415
D249,262	S *	9/1978	Neece	D14/265
D271,541	S *	11/1983	Rockwell	D12/419
4,773,703	A	9/1988	Krügenger et al.	
4,948,195	A	8/1990	Saunders	
6,022,072	A	2/2000	Moyer	
6,394,542	B2	5/2002	Potisch et al.	
6,497,443	B2	12/2002	Worrell et al.	

**1 Claim, 6 Drawing Sheets**



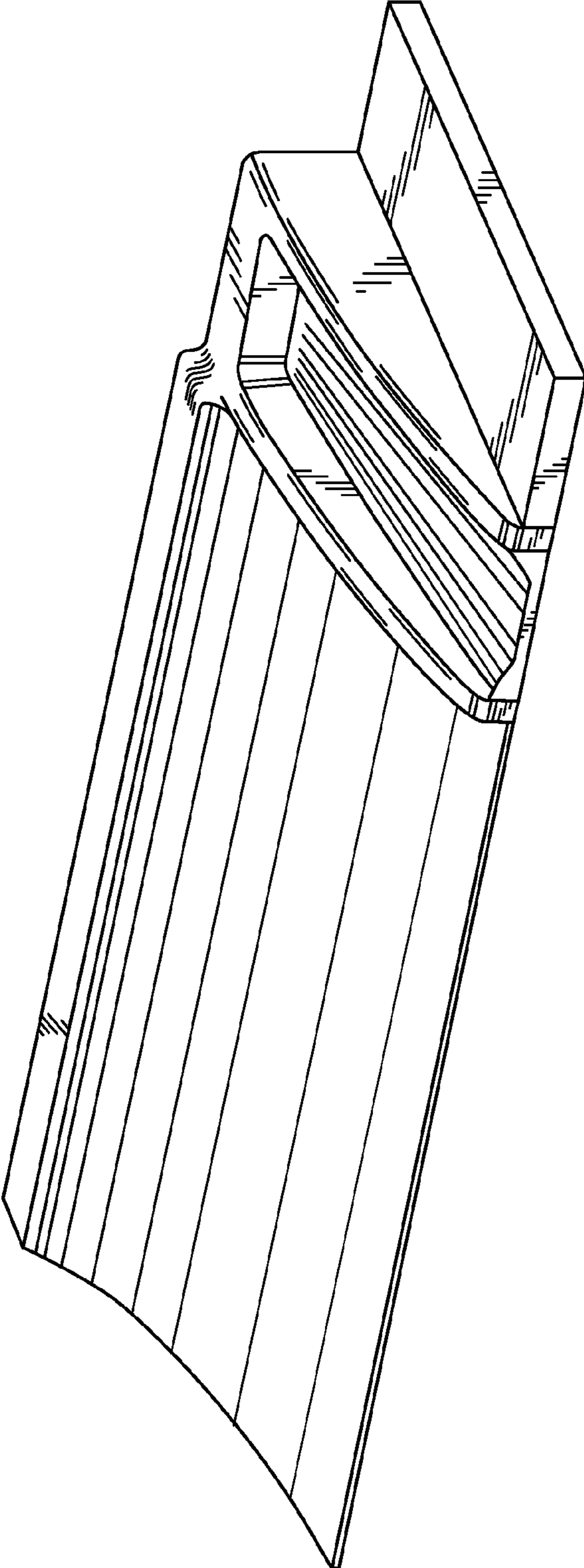


Fig. 1

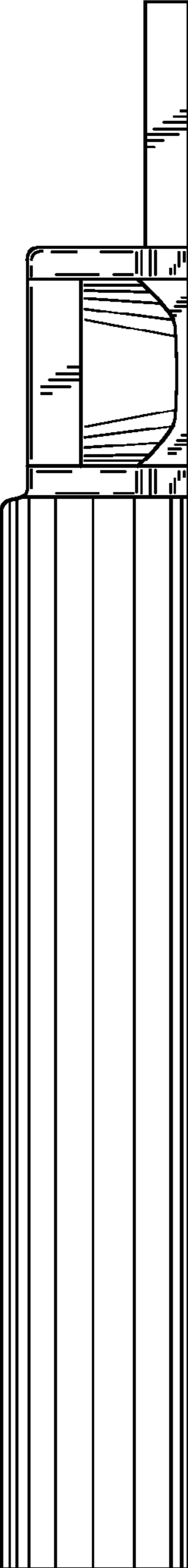


Fig. 2



Fig. 3

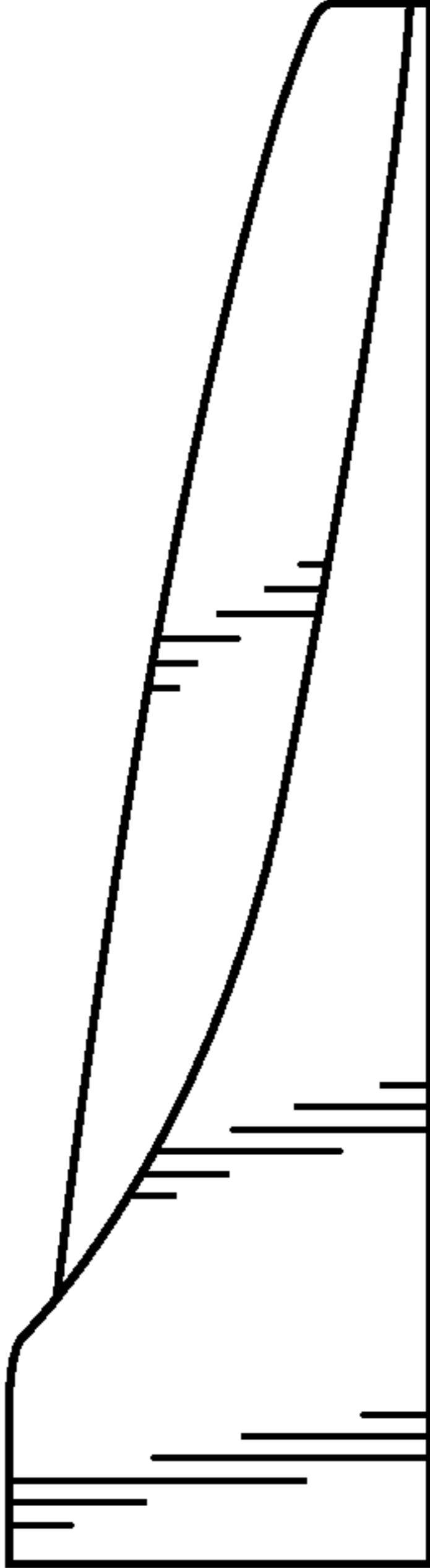


Fig. 4



Fig. 5

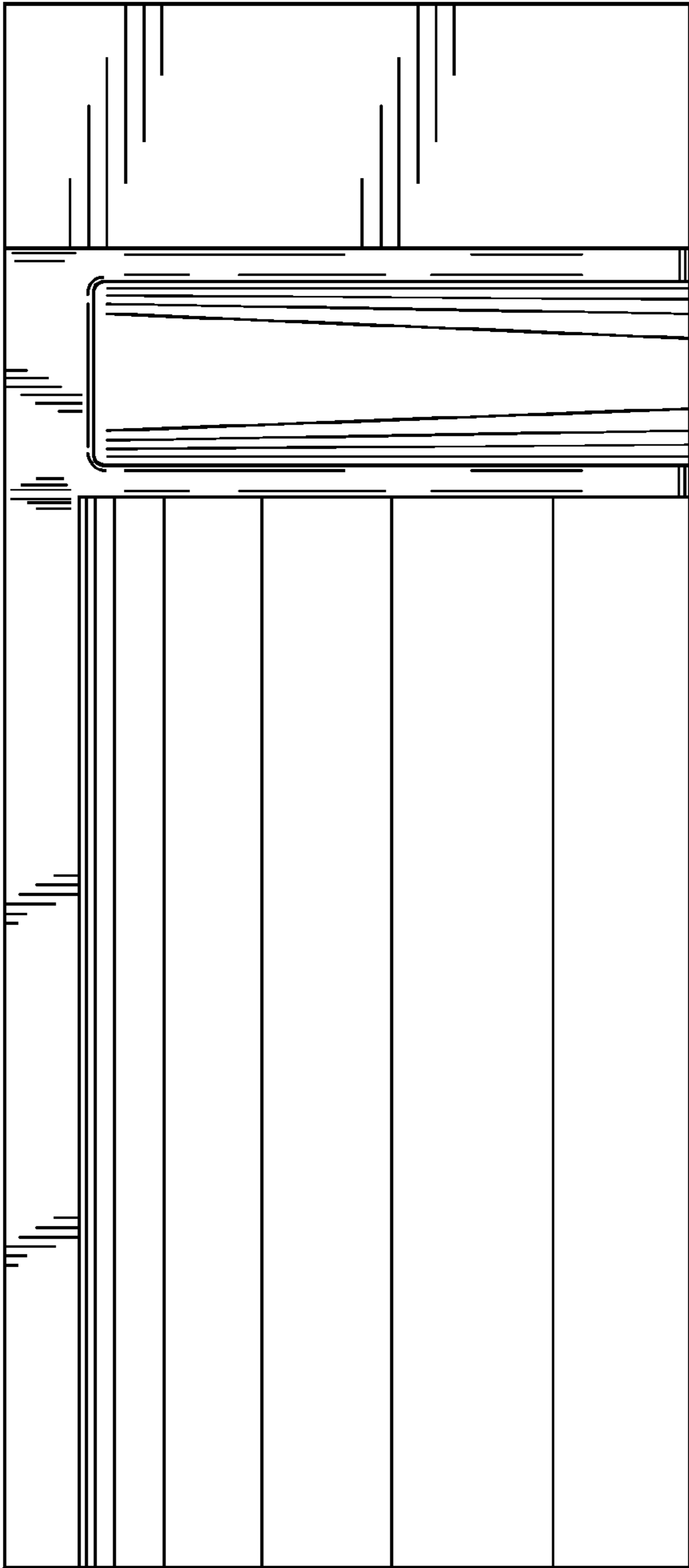


Fig. 6

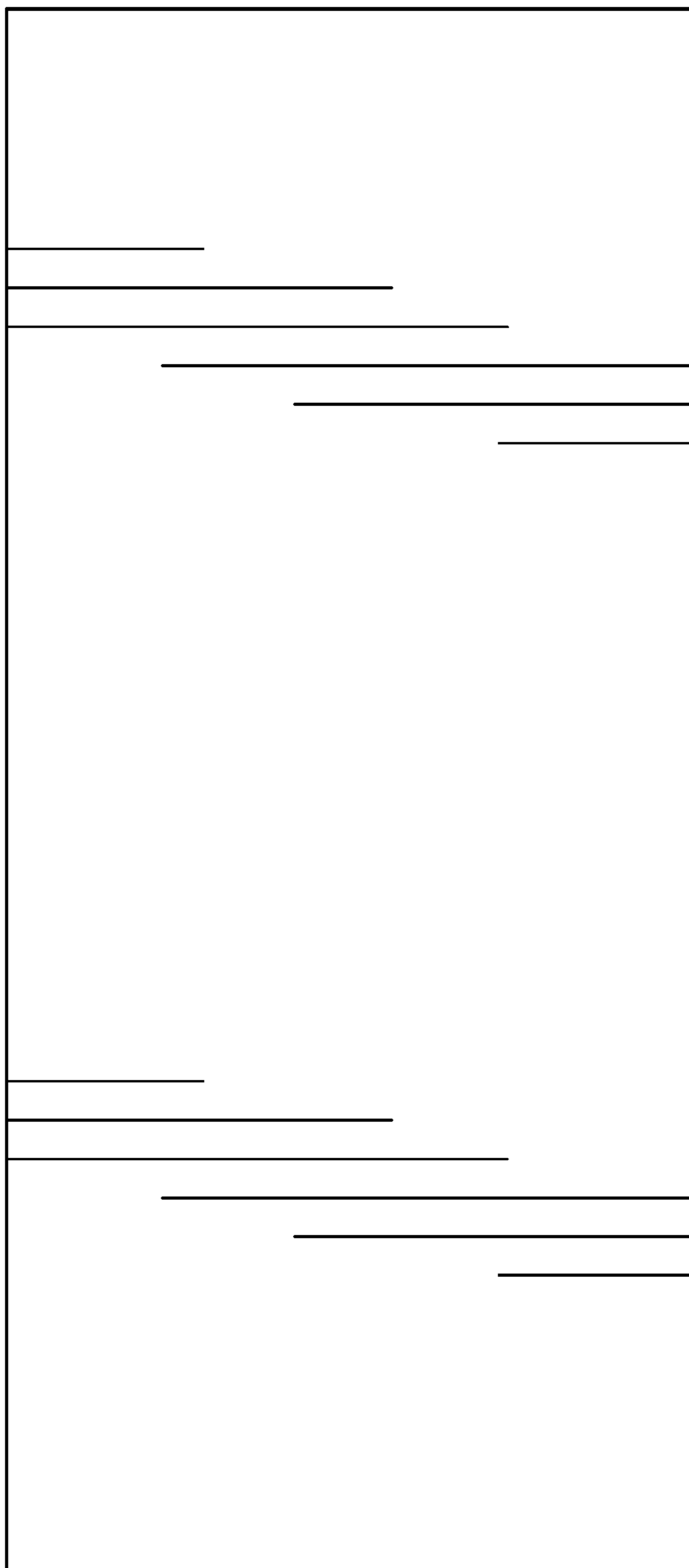


Fig. 7